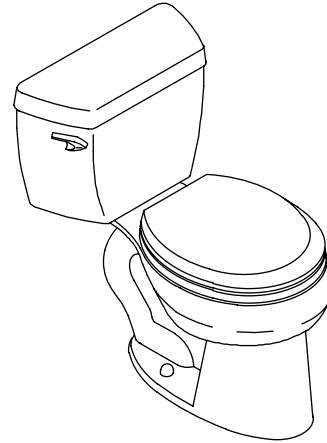


### PRESSURE-LITE® TOILET K-3493

ADA

#### Features

- Vitreous china
- Combination toilet
- Elongated bowl
- Polished chrome trip lever
- Less seat and supply
- Available with right-hand or left-hand trip lever
- Optional bedpan lugs or tank cover locks
- 12" (30.5 cm) rough-in
- 1.4 gpf (5.3 lpf)
- 12" (30.5 cm) x 10" (25.4 cm) water area
- 17-1/8" (43.5 cm) high bowl is ADA compliant



#### Codes/Standards Applicable

Specified model meets or exceeds the following:

- ADA
- ASME A112.19.2/CSA B45.1
- ICC/ANSI A117.1

#### Colors/Finishes

- 0: White
- Other: Refer to Price Book for additional colors/finishes

#### Accessories

- 0: White
- CP: Polished Chrome
- PB: Vibrant® Polished Brass
- Other: Refer to Price Book for additional colors/finishes

#### Specified Model

| Model     | Description  | Colors/Finishes                  |                                     |
|-----------|--|----------------------------------|-------------------------------------|
| K-3493    | Pressure-Lite toilet (left-hand trip lever)                        | <input type="checkbox"/> 0 White | <input type="checkbox"/> Other_____ |
| K-3493-RA | Pressure-Lite toilet (right-hand trip lever)                       | <input type="checkbox"/> 0 White | <input type="checkbox"/> Other_____ |
| K-3493-T  | Pressure-Lite toilet with tank cover locks (left-hand trip lever)  | <input type="checkbox"/> 0 White | <input type="checkbox"/> Other_____ |
| K-3493-TR | Pressure-Lite toilet with tank cover locks (right-hand trip lever) | <input type="checkbox"/> 0 White | <input type="checkbox"/> Other_____ |

| Recommended Accessories |                               |                                  |   |
|-------------------------|-------------------------------|----------------------------------|---|
| K-4650                  | French Curve™ seat with cover | <input type="checkbox"/> 0 White | <input type="checkbox"/> Other_____                             |
| K-4664                  | Brevia™ seat with cover       | <input type="checkbox"/> 0 White | <input type="checkbox"/> Other_____                             |
| K-7637                  | Angle supply with stop        | <input type="checkbox"/> CP      | <input type="checkbox"/> PB <input type="checkbox"/> Other_____ |

#### Product Specification:

The elongated combination toilet shall be 12" (30.5 cm) rough-in equipped with Sloan Flushmate™ – Sloan Valve Company. Toilet shall be made of vitreous china. Toilet shall have 12" (30.5 cm) x 10" (25.4 cm) water area. Toilet shall be 1.4 gpf (5.3 lpf). Toilet shall include polished chrome trip lever. Toilet shall be ADA compliant with the 17-1/8" (43.5 cm) high bowl. Toilet shall be less seat and supply. Toilet shall have bed pan lugs (-L). Toilet shall have right-hand trip lever (-RA). Toilet shall have tank cover locks (-T). Toilet shall be Kohler Model K-3493-\_\_\_\_\_-\_\_\_\_\_.

# HIGHLINE®

## Technical Information

|                                  |                               |
|----------------------------------|-------------------------------|
| Fixture:                         |                               |
| Configuration                    | 2-piece, elongated            |
| Water per flush                  | 1.4 gallons (5.3 L)           |
| Passageway                       | 2-1/4" (5.7 cm)               |
| Water area                       | 12" (30.5 cm) x 10" (25.4 cm) |
| Water depth from rim             | 5-3/4" (14.6 cm)              |
| Seat post hole centers           | 5-1/2" (14 cm)                |
| Minimum static pressure required | 20 psi (137.9 kPa)            |
| Maximum static pressure          | 80 psi (551.6 kPa)            |

|                         |          |
|-------------------------|----------|
| Included Components*:   |          |
| Bowl                    | K-4304   |
| Tank                    | K-4645   |
| Tank cover              | 1036375  |
| Bolt cap accessory pack | 52048    |
| Tank accessory pack     | 73062    |
| Trip lever, left hand   | K-9481-L |
| Trip lever, right hand  | K-9481-R |

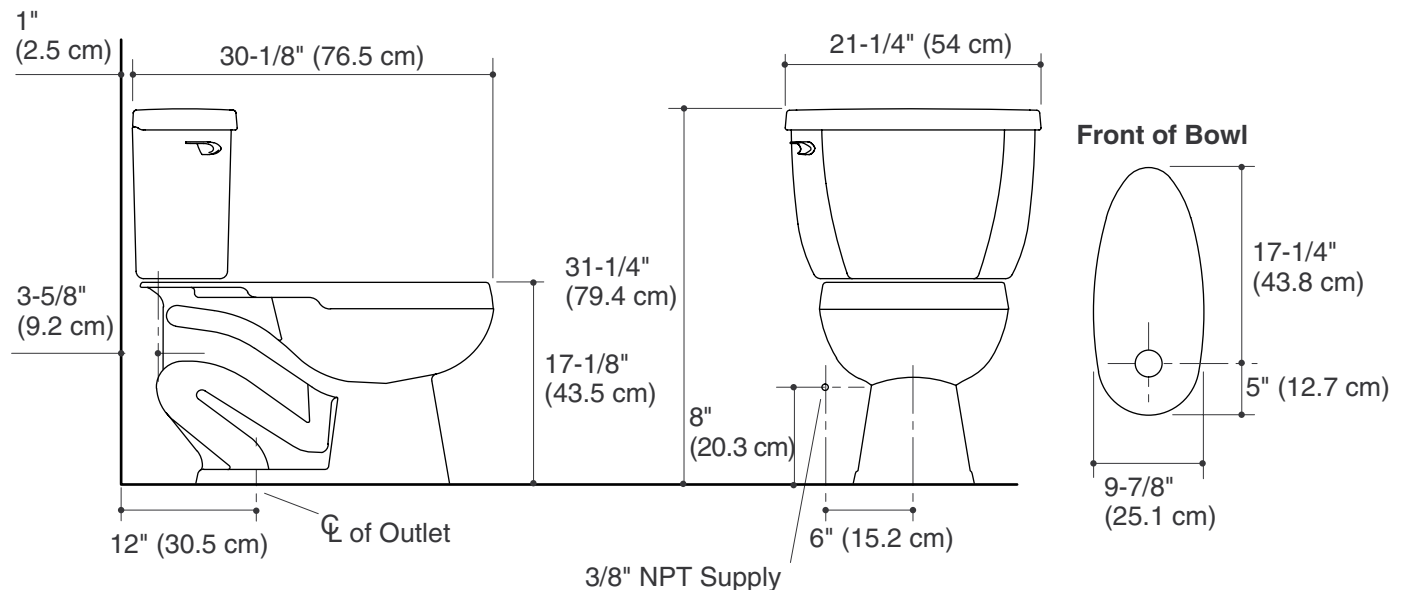
\*Equipped with Sloan Flushmate™ – Sloan Valve Company

## Installation Notes

Install this product according to the installation guide.

For back-to-back installations, the toilet shall be connected to the vertical stack using one of the three following fittings: double fixture fitting, double combination wye and 1/8 bends, or double wye and 1/8 bends.

Will comply with the American Disabilities Act (ADA) when installed per the requirements of the Accessibility Guidelines, Section 604 Water Closets, of the Act. The Model Plumbing Codes require the installation of elongated open-front toilet seats in public bathrooms.



## Product Diagram