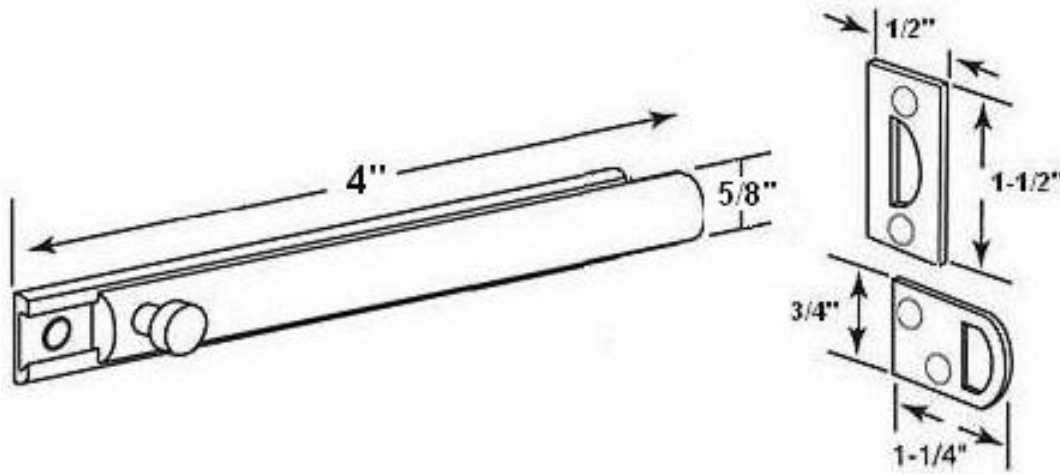


Installation Instructions
Professional Grade Quality Solid Brass
4" Surface Bolt
Item# 11044

**Dimensions:**

- Length: 4"
- Width: 5/8"
- Throw: 1/2"
- Projection: 3/4" (Base to top of knob)
- Net Weight: 2.5 oz.
- Gross Weight: 3.25 oz.
- Solid Brass Wood Screws

Dimensions are for reference use only.

For exact dimensions, please measure actual part.

Installation Instructions:

1. Position in desired position with edge of door.
2. Expose bottom screw hole by sliding bolt to up.
3. Mark position and drill 1/16" pilot hole 3/4" deep and secure with screw provided.
4. Same process for the top screw hole.
5. Position strike with bolt, trace and mortise 1/8" deep and drill 3/4" strike hole about 1" deep.
6. Re-align strike and drill 1/16" pilot holes 3/4" deep and secure with screws provided.
7. Align strike plate; mark position and drill 1/16" pilot hole 3/4" deep and secure with screws provided.

**Catalog Section: B****4" Surface Bolt**

Item# 11044

Date: Rev 05/19