



SEDIMENT PRE-FILTER SYSTEM (10" & 20")

BB10-P / BB20-P

Installation Instructions

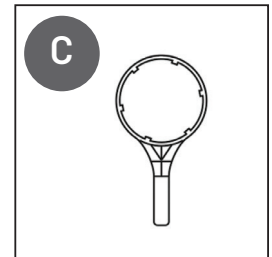
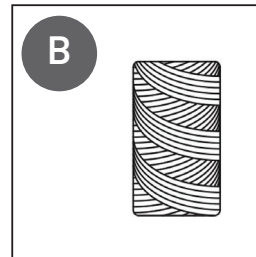
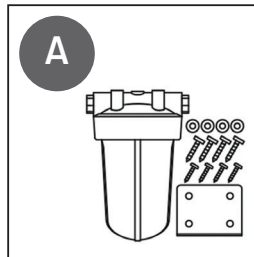
PARTS OF THE SYSTEM

A) One (1) Sediment Filter System:

- Sediment Filter Housing (10" or 20")
- Mounting Bracket
- Phillip Head Screws (4)
- Bolt Head Screws (4)
- Washers (4)

B) One (1) Sediment Filter Cartridge

C) One (1) Sediment Filter Wrench



Read these instructions carefully and determine the location of all system components before beginning installation.

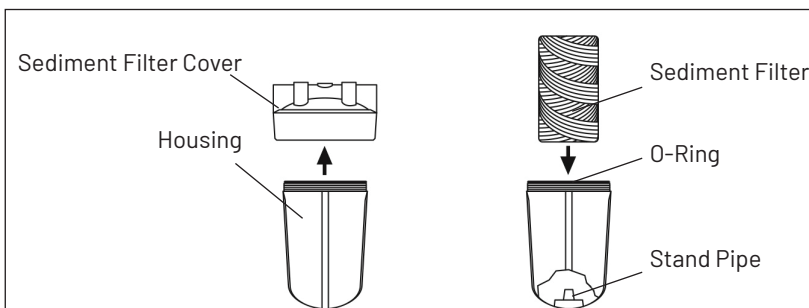
1. Check all applicable plumbing, building, and electrical codes for installation compliance.
2. Install the system on the main water supply.
3. The use of plumber's tape and/or Pipe Thread Seal Paste will be needed on all threaded connections.

PRODUCT OPERATION AND SPECIFICATIONS

Specification Description	BB10-P	BB20-P
Rated Service Flow	15 gpm	25 gpm
Minimum Working Pressure	25 psi	
Maximum Working Pressure	80 psi	
Operating Temperature	36°F - 120°F	
PH Range	6 - 11	

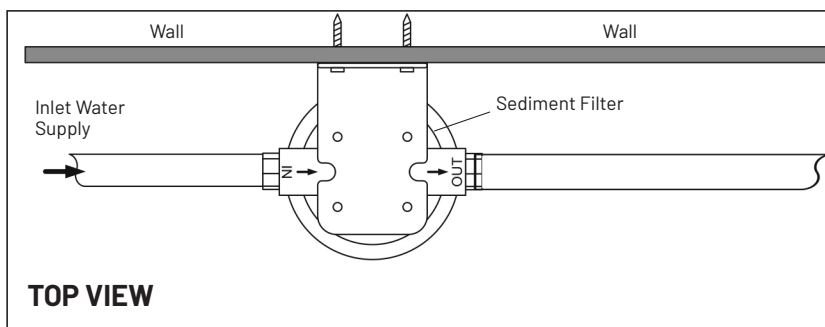
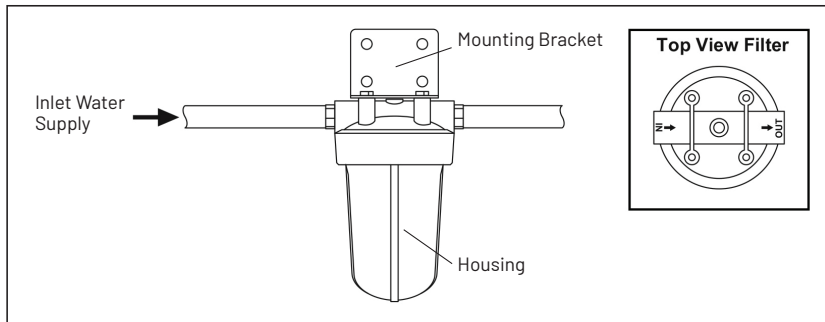
INSTALLATION

1. Unscrew the cover from the Housing.
2. Remove the plastic covering from the Sediment Filter.
3. Place the Sediment Filter onto the Stand Pipe in the Housing and set aside.
4. Shut off the water.



INSTALLATION (CONT.)

5. Attach the Filter Cover to the Mounting Bracket using the supplied Bolt Head Screws and Washers. Make sure to properly orientate the IN and OUT to match your flow pattern.
6. Attach the Mounting Bracket to the wall using the supplied Phillips Head Screws.
7. Hand tighten the Housing and then using the supplied Filter Wrench lightly snug the housing making sure not to over-tighten. (Counter clockwise).
8. Determine the size of your inlet water supply line.



MAINTENANCE:

- The 10-micron or 20-micron filter needs to be replaced every six to twelve (6 - 12) months.

CARTRIDGE REPLACEMENT

1. Turn off the main water supply to the Sediment Filter System and bypass all tanks.
2. Run a faucet (cold water) inside the house to relieve the pressure. (Leave faucet open)
3. Unscrew the Housing clockwise using the supplied Filter Wrench.
4. Remove the existing Sediment Filter and discard.
5. Remove the o-ring and wipe the groove clean. Lubricate a new o-ring with a coating of clean silicone grease. Replace o-ring and press the o-ring down into the groove with two fingers.
Note: This step is important to ensure the proper filter seal. Make sure the o-ring is seated level in the groove. If the o-ring appears damaged, stretched, or crimped it should be replaced.
6. Place a new Sediment Filter onto the Stand Pipe in the Housing.
7. Screw the Housing onto the Filter Cover hand tight. Lightly snug the housing with the spanner wrench making sure not to over-tighten.
8. Turn on main water supply slowly to allow the Sediment Filter System to fill with water and expel air from lines. Put tanks back in service, out of bypass.
9. Check for leaks.



2361 Mason Ave | Suite 100 | Daytona Beach, FL 32117 | United States
P: 877.842.1635 | Technical Services: 877.842.1635 | pentair.com/homewater

© 2021 Pentair. All indicated Pentair trademarks and logos are property of Pentair. Third party registered and unregistered trademarks and logos are the property of their respective owners.