

Project		Catalog #		Type	
Prepared by		Notes		Date	



# HALO

## RLNL4 Night Light Direct Mount

4" Night Light LED Canless Direct Mount w/ Remote Driver/Junction Box  
750 Lumen Series

### Typical Applications

Residential

### Product Certification



Refer to ENERGY STAR® Certified Products List.  
Can be used to comply with California Title 24 High Efficacy requirements.  
Certified to California Appliance Efficiency Database under JAB.

### Product Features



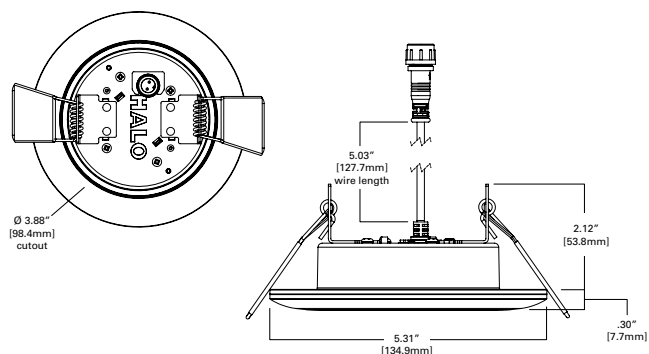
### Interactive Menu

- Order Information page 2
- Product Specifications page 3
- Photometric Data page 4
- Energy & Performance Data page 4
- Product Warranty

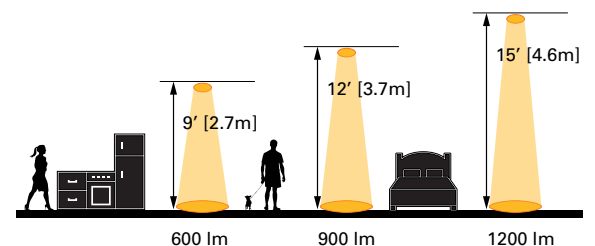
### Top Product Features

- 4" LED Direct Mount Night Light with Field Selectable CCT
- Direct mount - does not require recessed housing or junction box
- 6 selectable color temperature options
  - 2700K, 3000K, 3500K, 4000K, 5000K
  - Dim-to-warm technology included: use your dimmer to warm color temperature from 3000K to 1800K
- Night light provides soft glow at 2000K CCT
- Wet location listed for showers and protected ceilings
- Dimmable to 5% with 120V dimmers

### Dimensional and Mounting Details



### Scale



additional product diagrams

## Order Information

SAMPLE ORDER NUMBER: **RLNL4079FSD2W1EWHDM**

A complete luminaire consists of an LED module and remote driver/junction box.

Models	Lumens	CRI/CCT	Driver	Finish	Mounting
Models	Lumens	CRI/CCT	Driver	Finish	Mounting
<b>RLNL4</b> = 4" LED Night Light	<b>07</b> = 700 lumens (nominal)	<b>9FSD2W</b> = 90 CRI, selectable CCT with D2W option	<b>1E</b> = 120V 60Hz, LE & TE phase cut 5% dimming	<b>WH</b> = Matte white	<b>DM</b> = Canless Direct Mount
<b>Notes</b>	<b>Notes</b>	<b>Notes</b>	<b>Notes</b>	<b>Notes</b>	<b>Notes</b>

## Accessories

### Accessories

#### Mounting Frame

HL4RSMF = 4" round and square mounting frame

#### Extension Cable

EC5PIN-6FT = 6ft. 5 pin extension cable

EC5PIN-12FT = 12ft. 5 pin extension cable

EC5PIN-20FT = 20ft. 5 pin extension cable

## Light Modes

Flip wall switch On/Off/On under 1.5 seconds to change light mode.

### Downlight



### Night Light



## Product Specifications

### Night Light System

- Choose mode of light based on toggle of light switch

#### NIGHTLIGHT MODE:

- With wall switch in 'ON' position (downtight on), cycle wall switch 'OFF' and back to 'ON' within 0.2-1.5 seconds. Fixture should illuminate in nightlight mode.
- Fixture will default back to downtight mode when wall switch is cycled 'OFF' then 'ON'.

#### DOWNLIGHT MODE:

- Cycle wall switch to 'ON' position to turn on downtight.
- Cycle wall switch to 'OFF' position to turn off downtight.

### CCT Select System

- Use the CCT select switch to choose between D2W, 2700K, 3000K, 3500K, 4000K, and 5000K CCT
- D2W option starts at 3000K and warms to 1800K as fixture dims.

### Module - Trim

- Module construction includes LED Array, heat sink, reflector, lens, baffle / trim ring and ceiling ring.
- Regressed baffle
- Heat sink designed to conduct heat away from the LED array

### LED Array

- Mid power LED array provides a uniform source with high efficiency and no pixilation
- 90 CRI minimum, R9 greater than 50
- Color accuracy within 3 SDCM at the CCT endpoints and 4 SDCM in between endpoints, provide color accuracy and uniformity.
- Color Temperature (CCT) has an selectable range from 2700K to 5000K (factory default 3000K)

### Optical Assembly

- Regressed lens
- Impact-resistant polycarbonate
- Convex form and lamp-like appearance
- Diffuse for even illumination

### Remote Driver/ Junction Box

- Aluminum driver / junction box with captive hinged junction box cover
- Listed for (6) #12 AWG 90° C splice conductors, 2-in, 2-out plus (2) ground
- (2) ½" conduit pry-outs
- (2) Slide-N-Side™ non-metallic (NM) wire traps all
- Accepts 14-2, 14-3, 12-2, 12-3 U.S and 14-2, 14-3, 12-2 Canadian NM cable
- (3) 4-port push wire nuts with clear caps for quick and reliable mains voltage connections
- Integral keyhole mounting slots facilitate direct mounting to building structure or new construction mounting frame

### Driver

- Remote 120V 60 Hz constant current driver provides noise free operation
- Continuous, flicker-free dimming from 100% to 5%.
- Plenum rated inline electrical quick connect provides low voltage connection to fixture fitting

### Installation

- Can be installed in 1/2" to 1-1/4" thick ceilings
- Cutout can utilize standard round hole saw sizes, cutout template provided
- Heat treated springs hold fixture fitting securely in the ceiling eliminating light leaks
- Can be removed from below the ceiling for service or replacement

### Mounting / Retention

- The RL-DM requires no housing or third party junction box
- The remote enclosure may be used in direct contact with insulation
- Installer must cut template out of drywall and install into aperture with the clips compressed
- When released, the spring clips will rest on to the back side of the drywall
- Not for installation in recessed cans

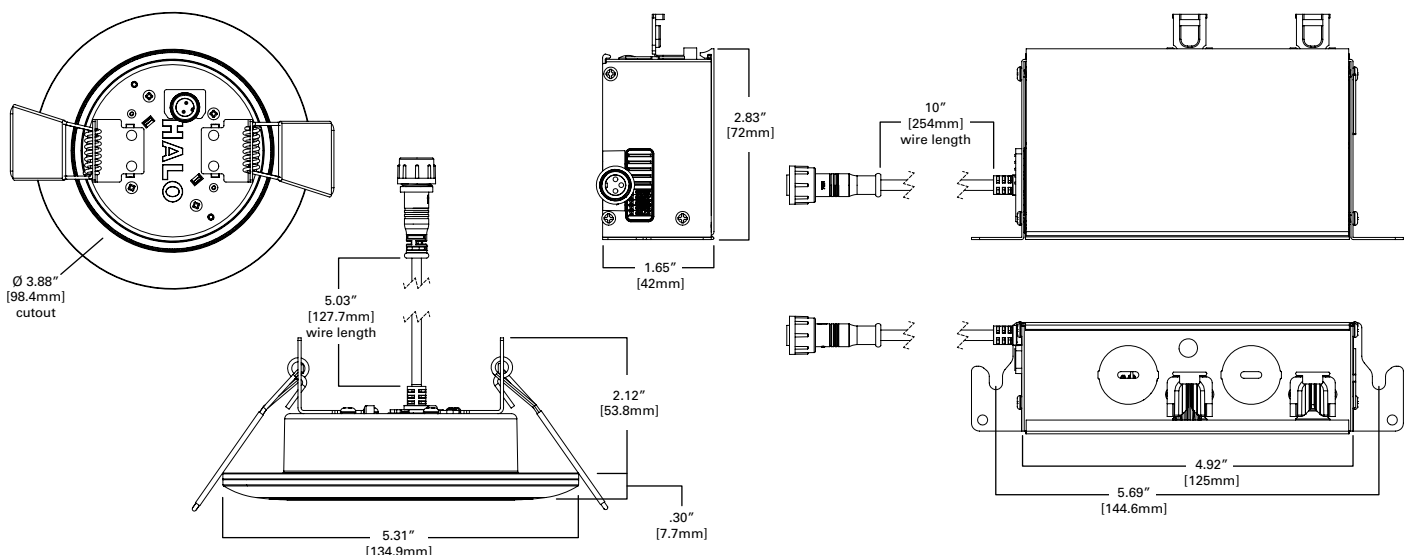
### Compliance

- UL Certified for US and Canada, type IC suitable for direct contact with air permeable insulation
- Not for use in direct contact with spray foam insulation, reference NEMA LSD57-2013
- Wet and Damp location listed
- Airtight certified per ASTM-E283
- Suitable for use in closets when installed in accordance with the NEC 410.16 spacing requirements
- EMI/RFI emissions per FCC 47CFR Part 15 consumer limits
- Contains no mercury or lead and is RoHS compliant
- Photometric testing in accordance with IES LM-79-08
- Lumen maintenance projections in accordance with IES LM-80-08 and TM-21-11
- Complies with State of California Title 24 JA8-2019-E as a high efficacy luminaire
- International Energy Conservation CoDe (IECC) and Washington State Energy Code compliant
- ENERGY STAR® listed, reference database for current listings

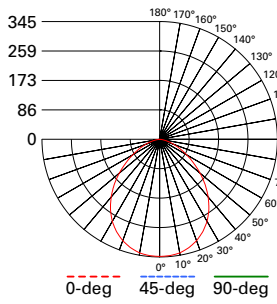
### Warranty

- Five year limited warranty, consult website for details. [www.cooperlighting.com/warranty](http://www.cooperlighting.com/warranty)

## Dimensional and Mounting Details



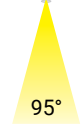
## Photometric Data



**RLNL4079FSD2W1EWHDM-3000K**  
 Spacing criterion:  
 (0-180) 1.22 | (90-270) 1.22 | (Diagonal) 1.28  
 Beam Angle: 95°  
 Field Angle: 146°  
 Lumens: 780  
 Input Watts: 9.4 W  
 Efficacy: 83.0 LPW  
 UGR: 25  
 Test Report: P645599

Zonal Lumen	Lumens	% Lumens
0-30	264	33.9
0-40	422	54.1
0-60	678	86.9
0-90	780	100

TM-30-15	Rf = 91
	Rg = 98
CRI/CIE	Ra = 92
	R9 = 62



## Energy Data

RLNL4079FSD2W1EWHDM	
Lumens	780
Input Voltage	120V
Input current	0.08A
Input Power	9.5W
Efficiency	83%
Inrush(A)	2.12A
THD	< 20%
PF	> 0.9
Sound Rating	< 22dBA

RL4-DM	CCT	Lumens	Power (W)	LPW
Field Selectable CCT	2700K	760	9.4	80.9
	3000K	780	9.4	83
	3500K	805	9.4	85.6
	4000K	825	9.4	87.8
	5000K	845	9.4	89.9

## Product Specifications

RL4069NLWHDMR

**PRODUCT SPECIFICATIONS**

<b>Lumens</b>	<b>780</b>
<b>Watts</b>	<b>9.4</b>
<b>Lumens Per Watt (Efficacy)</b>	<b>83.0</b>
<b>Color Accuracy (CRI)</b>	<b>92</b>
<b>Light Color (CCT)</b> <small>Correlated Color Temperature (CCT)</small>	<b>3000K</b>
<b>Color Accuracy (CRI)</b>	<b>92</b>