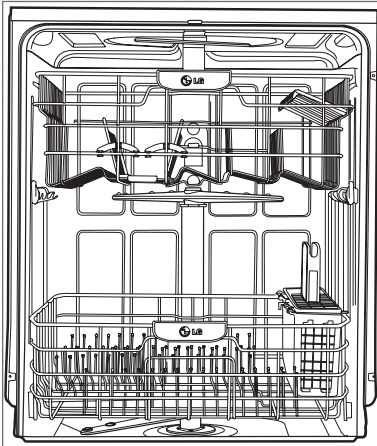


PARTS AND FEATURES

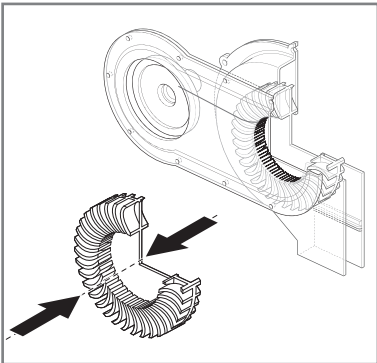
FEATURES

LARGE CAPACITY



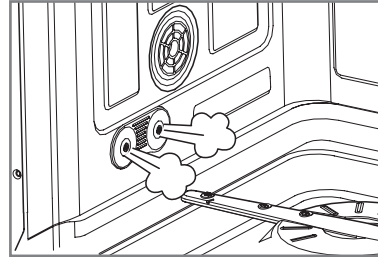
LG dishwashers allow you to load very large items in both the upper and lower racks. The tall tub provides extra overall capacity and the clearance to accommodate large dishes. Extra large items (max. 14 in.) may be loaded in the lower rack by raising the upper rack.

HYBRID DRYING SYSTEM



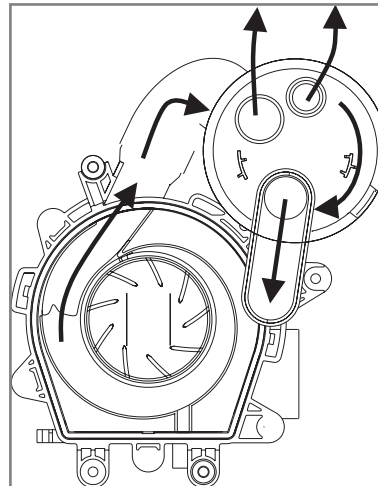
This system effectively dries dishes without the use of a heating element that would increase energy consumption.

STEAM WASHING (not available on all models)



Steam technology provides better cleaning performance than regular wash systems. Steam is the most energy efficient gentle care for your finest china and stemware.

VARIABLE SPRAY SYSTEM



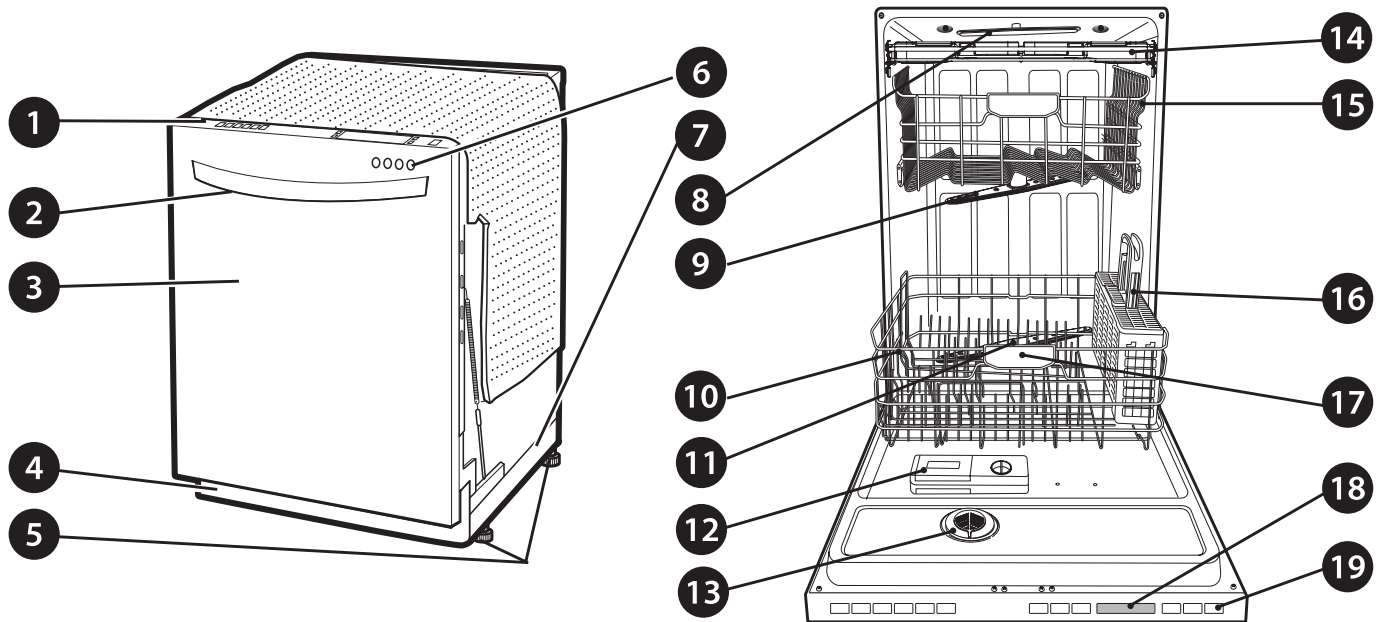
Because the water spray alternates between the upper and lower racks, all of the power from the motor is directed to one rack at a time. This concentrates all the cleaning power of the motor on each rack in turn.

LIGHT TOUCH BUTTONS

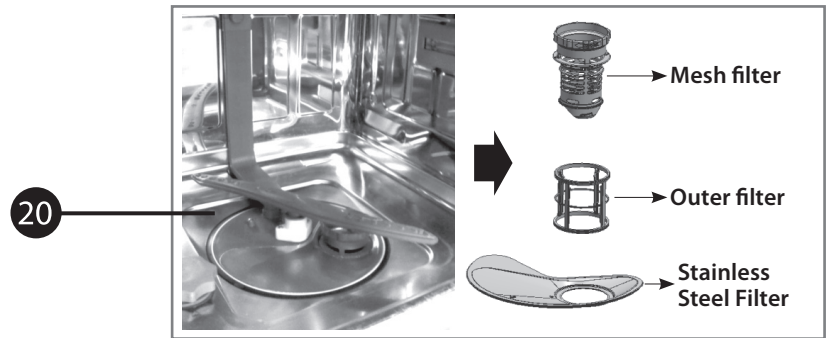


The light touch buttons on the control panel make selections easy and convenient.

PARTS



1. CONTROL PANEL
2. DOOR HANDLE
3. FRONT COVER
4. LOWER COVER
5. LEVELING FEET
6. FRONT DISPLAY (SIGNALIGHT™)
7. BASE

**Signalight (front display)**

When a cycle is running, the Signalight will illuminate for the active stage.

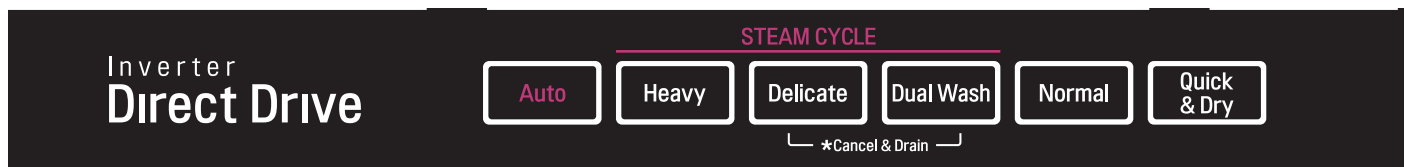
- Model with 4 LEDs : WASH – RINSE – DRY – CLEAN
- Models with 2 LEDs : OPERATING - CLEAN
- Models with 1 LED : OPERATING (Flickering) / CLEAN (Lighting)

Once the cycle is complete, the CLEAN light will illuminate for four minutes.

To keep the CLEAN light on until the door is open, turn the power on, and then press and hold the Extra dry and Half load buttons on the control panel simultaneously until Off or On appears in the display. The dishwasher will remember this setting until manually changed.

8. TOP SPRAY ARM
9. UPPER SPRAY ARM
10. STEAM NOZZLE (on steam models)
11. LOWER SPRAY ARM
12. DETERGENT AND RINSE AID DISPENSER
13. DRYING VENT COVER
14. CUTLERY RACK (some models)
15. UPPER RACK
16. SILVERWARE BASKET
17. LOWER RACK
18. TOP DISPLAY
19. POWER BUTTON
20. FILTRATION SYSTEM

CONTROL PANEL



Cycles

Select your desired cycle.

Auto

This cycle senses the load size, soil amount and soil toughness. This cycle is optimized to achieve the best cleaning.

Heavy

This cycle is for heavily and hard soiled dishes. Heavy defaults to the highest spray intensity and uses the power of steam to wash heavily soiled dishes.

Delicate

This cycle adds the gentle power of steam to boost the cleaning power of the delicate cycle. The cycle is intended for effectively cleaning delicate items such as fine china and stemware.

Dual Wash

This cycle washes the upper and lower racks at different spray intensities. The default setting for this cycle washes the lower rack with strong spray intensity and the upper rack with soft spray intensity. This provides optimum cleaning performance for mixed loads, including fine china and stemware.

Normal

This cycle is for normally soiled, everyday loads.

Quick & Dry

This is a shortened cycle that is intended for washing and drying recently used dishes or lightly soiled loads. During this cycle, both spray arms will run at the same time.

CHIME ON/OFF

To enable or disable the chime, first, turn on the dishwasher. Press and hold the Delicate and Quick&Dry Buttons simultaneously for approximately three seconds.

TO CANCEL A CYCLE

To cancel a cycle, open the door and then press and hold the Delicate and Dual Wash Buttons together for approximately three seconds. The drain pump will activate and the cycle will cancel. The display will show "dr" and the dishwasher will drain the water. After the dishwasher is drained, the power will turn off.

If the power is turned on and no cycle has been selected, the dishwasher will power off within four minutes.

Cycle Options

(Refer to the control panel on the next page)

Press the desired cycle and then select the options for that cycle.

Extra Dry

Select the Extra Dry option for better drying performance. This option adds 60 minutes of extra drying time to the cycle. The Extra Dry button will illuminate when the option has been selected.

Rinse

Repeated pressing of the Rinse button will select the desired Rinse option. The Sanitary, Extra Rinse, or Sanitary and Extra Rinse lights will show in the bottom left portion of the display.

Sanitary (160°F)

This high-temperature rinse sanitizes dishes and glassware in accordance with NSF/ANSI Standard 184 for residential dishwashers. Certified dishwashers are not intended for licensed food establishments.

Extra Rinse (R+)

The Extra Rinse symbol indicates that an extra rinse has been added to the cycle. An extra rinse can help reduce hard water spotting on dishes. To add an extra rinse, press the Rinse button repeatedly until the Extra Rinse symbol appears in the display.

Rinse Only

This cycle is a quick rinse for dishes that will not be washed immediately. This cycle will rinse dishes that have excess soil to soften dried on residue. Rinsing the dishes will help prevent odors in the dishwasher. No detergent should be used. To select the Rinse Only cycle, turn the dishwasher on, and press the Rinse button once without pressing any other cycle buttons. The Rinse Only cycle is not available with any other cycles.

CONTROL PANEL



Half Load

For small loads, you may use just the upper or lower rack to save energy. Each press of the Half Load button cycles between upper rack only and lower rack only.

Delay Start

The Delay Start feature allows you to delay the start of a selected cycle. Each time the Delay Start button is pressed, the delay time will increase an hour. The delay start time can be set from 1 to 19 hours, in one-hour increments.

High Temp ON/OFF

Raises the main wash temperature to improve cleaning.

Child Lock

The Child Lock feature helps prevent your settings from being changed during a cycle. Selecting this feature locks all of the buttons, except for the POWER button, on the control panel. This feature does not lock the door.

To activate the Child Lock:

1. Open the dishwasher door.
2. Press the POWER button.
3. Select the cycle (and desired options).
4. Press and hold the Rinse and High Temp buttons for three seconds. The Child Lock indicator will illuminate in the display once the Child Lock is activated.
5. Close the door to begin the cycle.

Digital Display

The Digital Display on the control panel shows the ESTIMATED cycle time. When the dishwasher is powered up, the display will be blank. When the cycle and options are selected, the display will show the total estimated time to complete those selections. During operation, the display shows the remaining estimated operating time.

! NOTE

- The estimated time shown in the display does not include delay times for heating water, etc.
- If Delay Start is selected, the display shows the delay time in hours.
- Time may vary depending on the soil level of your load.

Energy Saving

The Energy Saving option saves energy by using less water. This option should only be used with light to medium soiled dishes.

! NOTE

The RINSE AID symbol  indicates that the rinse aid needs to be refilled.

POWER

- Press the POWER button to turn on the control panel. If no cycle is selected within four minutes, the dishwasher will power off.
- After the cycle is complete, the power automatically turns off for purposes of safety and economy.
- If there is a power surge, power outage, or disruption of any kind, the PF indicator will display and power will be automatically turned off for safety. The cycle will need to be restarted.

Smart Diagnosis

Should you experience any problems with your dishwasher, it has the capability of transmitting data to your Smart Phone using the LG Smart Laundry & DW Application or via your telephone to the LG call center.

! WARNING




Steam can cause burns. Use caution in the area of the steam nozzle, on the left side of the dishwasher, if the door is opened during the steam portion of a cycle. Contact with the steam or the steam nozzle can cause burns.




CYCLE OPTION CHART

The cycle guide below shows the available options for each cycle.

Cycle	Extra Dry	Sanitary Rinse	Extra Rinse	Sanitary/Extra Rinse	Half Load	Delay Start	Energy Saving	High Temp
Auto	●	●	●	●	●	●		●
Heavy	●	●	●	●	●	●		
Delicate	●	●	●	●	●	●	●	●
Dual Wash	●	●	●	●	●	●	●	
Normal	●	●	●	●	●	●	●	●
Quick & Dry	●					●		
Rinse Only						●		

ICONS

	Steam Cycle (steam models)
R ⁺	Extra Rinse
	Sanitary Rinse
	Child Lock

	Low Rinse Aid Indicator
	Energy Saving Cycle
	Cycle Time Indicator
Upper	Upper Spray Arm
Lower	Lower Spray Arm

CYCLE SELECTION CHART

The cycle guide below shows the default settings for each cycle.

Cycle	Wash				Rinse			Dry	*Water Usage	**Cycle Time
	Pre 1	Pre 2	Pre 3	Main Wash	Rinse 1	Rinse2	Heated Rinse			
Auto	●	●	●	122 °F 50 °C ●	●	●	149~158 °F 65~70 °C ●	●	6.1 gal. 23 L	135 Min.
Heavy	●	●		140 °F 60 °C ●	●	●	158 °F 70 °C ●	●	6.1 gal. 23.0 L	166 Min.
Delicate	●	●		122 °F 50 °C ●	●		154 °F 68 °C ●	●	4.6 gal. 17.5 L	141 Min.
Dual Wash	●	●		154 °F 68 °C ●	●		158 °F 70 °C ●	●	4.6 gal. 17.5 L	147 Min.
Normal	●	●	●	86~122 °F 30~50 °C ●	●		149~158 °F 65~70 °C ●	●	1.7~6.4 gal. 6.5~20.5 L	110~139 Min.
Quick & Dry	●	●	●	122 °F 50 °C ●	●	●	162 °F 72 °C ●	●	7.6 gal. 29 L	79 Min.
Rinse Only					●				1.0 gal. 4 L	22 Min.

* Actual water consumption will vary depending on soil level and water hardness.

** Actual cycle times may vary depending on soil level, water temperature and water hardness