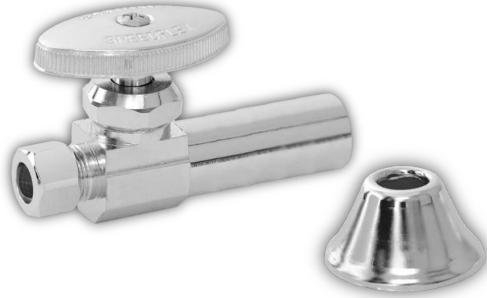


# U y Q u @ y k V ' STRAIGHT ' ou \ h

with extension tube  
Sweat #



# EASTMAN<sup>®</sup>

## SPEED-FLEX<sup>®</sup>

*Peace of Mind...  
for the Professional Plumber*

### TECHNICAL DATA

**DESCRIPTION:** U u 'Straight Stop with 5" extension and deep bell flange Sweat x Compression

**CONSTRUCTION:**

**Body** - Chrome Plated No-lead Brass

**Stem** - Brass

**Handle** - Oval - Chrome Plated Zinc

**Compression Nuts** - Chrome Plated No-lead Brass

**Compression Sleeve** - Brass

**TECHNICAL SPECIFICATIONS:**

**Working Pressure** - 125 PSI

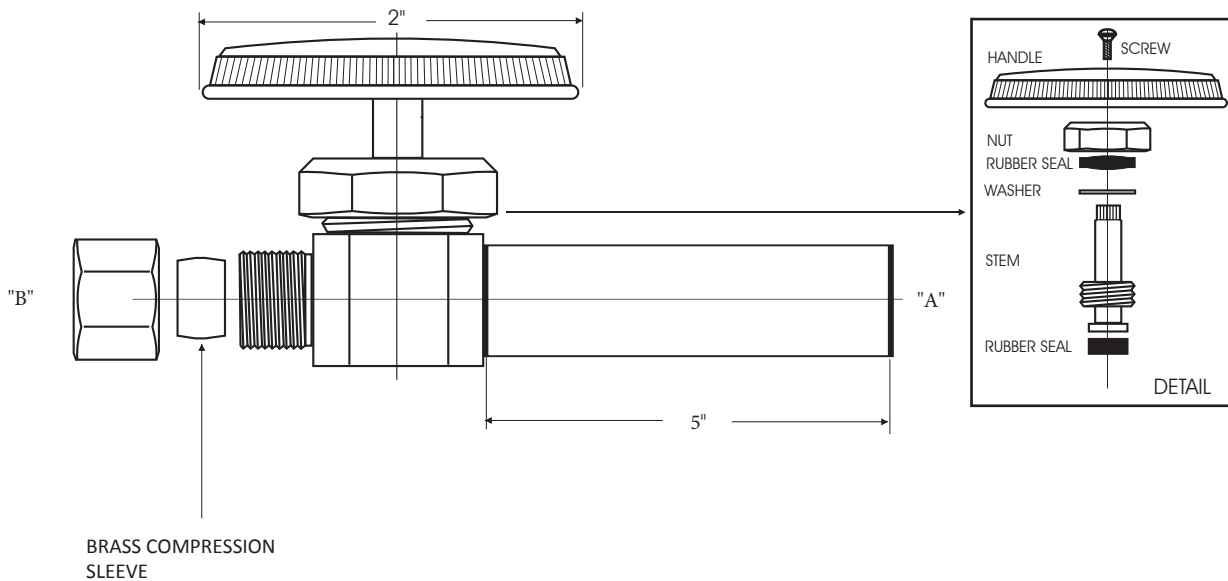
**Working Temperature** - 40° F to 140° F

PART#	"A"	"B"	Inner/ Master	Pack	UPC
04183LF	1/2" Nom	3/8" OD	24/96	Box	091712420897

Connectors are lead free and contain a weighted average lead content of ≤ 0.25%.

MADE IN: China

### ROUGH IN DRAWING



ALL DIMENSIONS SHOWN ARE NOMINAL

Meets requirements for NSF-61



Approved



Complies with Low Lead Plumbing Laws