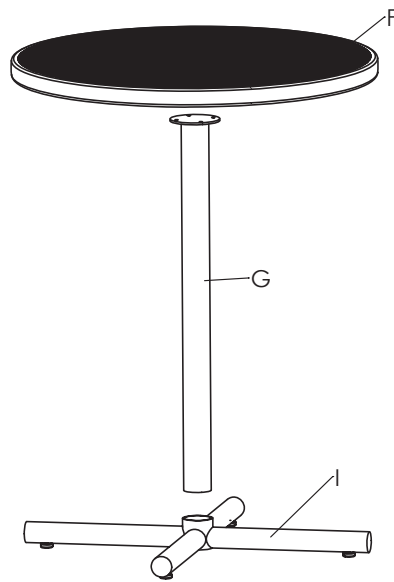
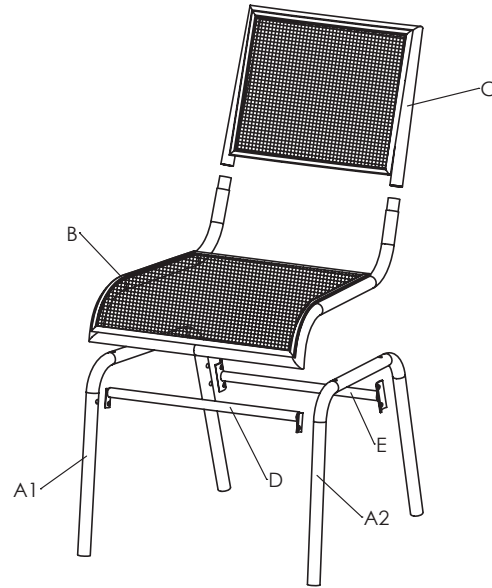


# Parts

A1	right chair leg	2
A2	left chair leg	2
B	seat	2
C	back	2
D	front crossbar	2
E	rear crossbar	1
F	table top	1
G	center post	1
I	metal table leg	1

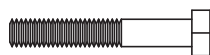


## Hardware

H1 x 20 + 1 spare  
Short bolt



H2 x 8 + 1 spare  
Long bolt



H3 x 28  
Metal washer



H4 x 1  
Allen wrench

