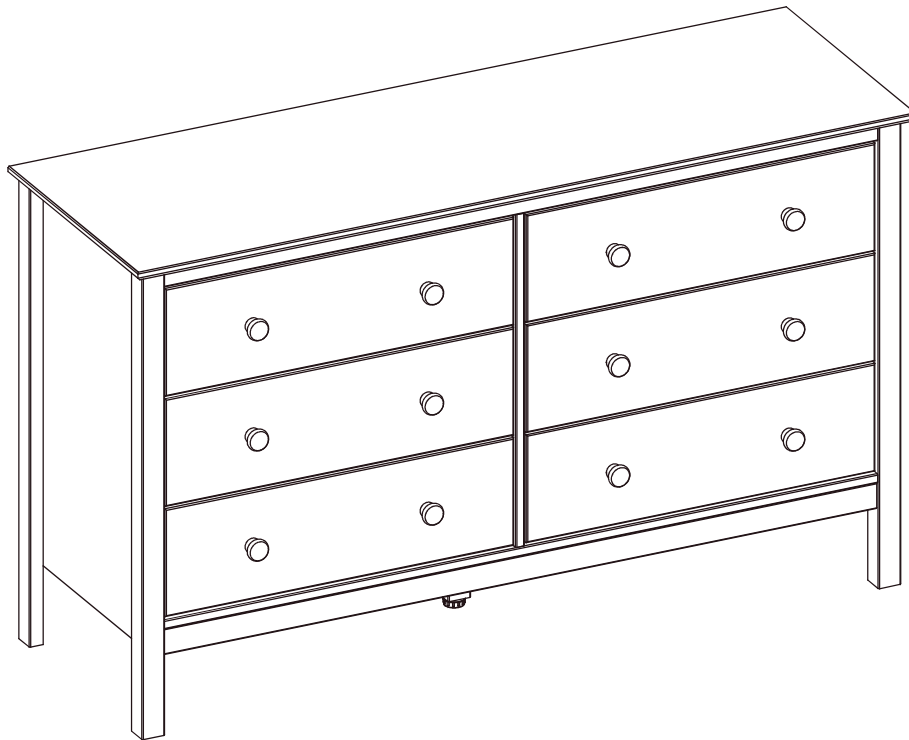


---

## USE AND CARE GUIDE

---

### Unfinished 6 Drawers Dresser



Questions, problems, missing parts?  
Before returning to the store, call Customer Service.  
8 a.m. - 7 p.m., EST, Monday - Friday, 9 a.m. - 6 p.m., EST, Saturday

**1-877-527-0313**

**HOMEDEPOT.COM**

---

#### **THANK YOU**

*We appreciate the trust and confidence you have placed in StyleWell through the purchase of this 6 Drawers Dresser. We strive to continually create quality products designed to enhance your home. Visit us online to see our full line of products available for your home improvement needs. Thank you for choosing StyleWell!*

# Table of Contents

Table of Contents .....	2	Assembly .....	11
Pre Assembly .....	3	Assembly .....	12
Pre Assembly .....	4	Assembly .....	13
Assembly .....	5	Assembly .....	14
Assembly .....	6	Assembly .....	15
Assembly .....	7	Assembly .....	16
Assembly .....	8	Assembly .....	17
Assembly .....	9		
Assembly .....	10		

## Safety Information



### DANGER

- Keep small parts away from children during assembly.
- Read and follow instructions carefully.



### WARNING

- Read these instructions carefully and keep in a safe place.
- TO GUARANTEE THE SAFE USE OF THIS PRODUCT, FOLLOW THE WARNINGS, GUIDELINES AND RECOMMENDATIONS IN THIS MANUAL.
- Adult assembly required.
- Small parts may present choking hazard prior to assembly.
- Do not stand, step or climb on unit.
- Unit must be placed on a level surface or leveled with included hardware (when application).
- Do not sit on or allow children to climb, sit or stand on the assembled product.
- For safety reasons, it is imperative that this unit be mounted to the wall.
- Do not use without installing the tip restraint.
- Unit can tip over causing severe injury or death.
- Never open more than one drawer at a time.
- Do not exceed the recommended weight limits.
- Evenly distribute the weight on each level and always keep the heavier loads on the bottom.
- Before cutting, drilling or hammering into any wall or floor surface, verify the location of electrical, plumbing and gas lines. Cutting may cause serious injury.



### CAUTION

- Do not use power tools to assemble your furniture. Power tools may strip or damage parts/product.
- Do not overtighten connectors (screws, bolts, etc.). Overtightening can lead to product damage.
- Be sure to check all packing materials carefully for small parts that may have come loose inside the carton during shipment. If parts are missing, contact THE HOME DEPOT to obtain any missing parts.
- DO NOT USE SUBSTITUTE PARTS.
- This product should only be used on a flat, level surface.
- Product is designed to hold 10 Kg. Exceeding this limit may damage the product or cause injury to the user.

## Warranty

### 1 YEAR WARRANTY

#### WHAT IS COVERED

We guarantee this product to be free of manufacturing defects to the original purchaser for one year.

#### WHAT IS NOT COVERED

This warranty does not cover commercial use, acts of nature, and abusive use.

# Pre-Assembly

## PLANNING ASSEMBLY

Read all instructions before assembly.

To avoid damaging this product, assemble it on a soft, non-abrasive surface such as carpet or cardboard.



**NOTE:** More than one person may be required to assemble this product.

## TOOLS REQUIRED



Safety goggles



Phillips screwdriver



Hammer

## HARDWARE INCLUDED



**NOTE:** Hardware not shown to actual size.



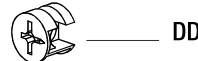
AA



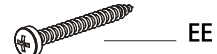
BB



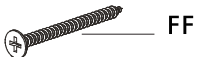
CC



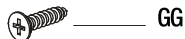
DD



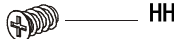
EE



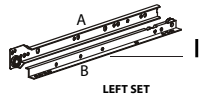
FF



GG

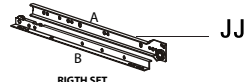


HH



II

LEFT SET



JJ

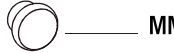
RIGHT SET



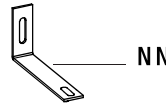
KK



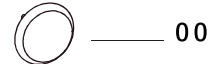
LL



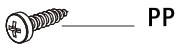
MM



NN



OO



PP

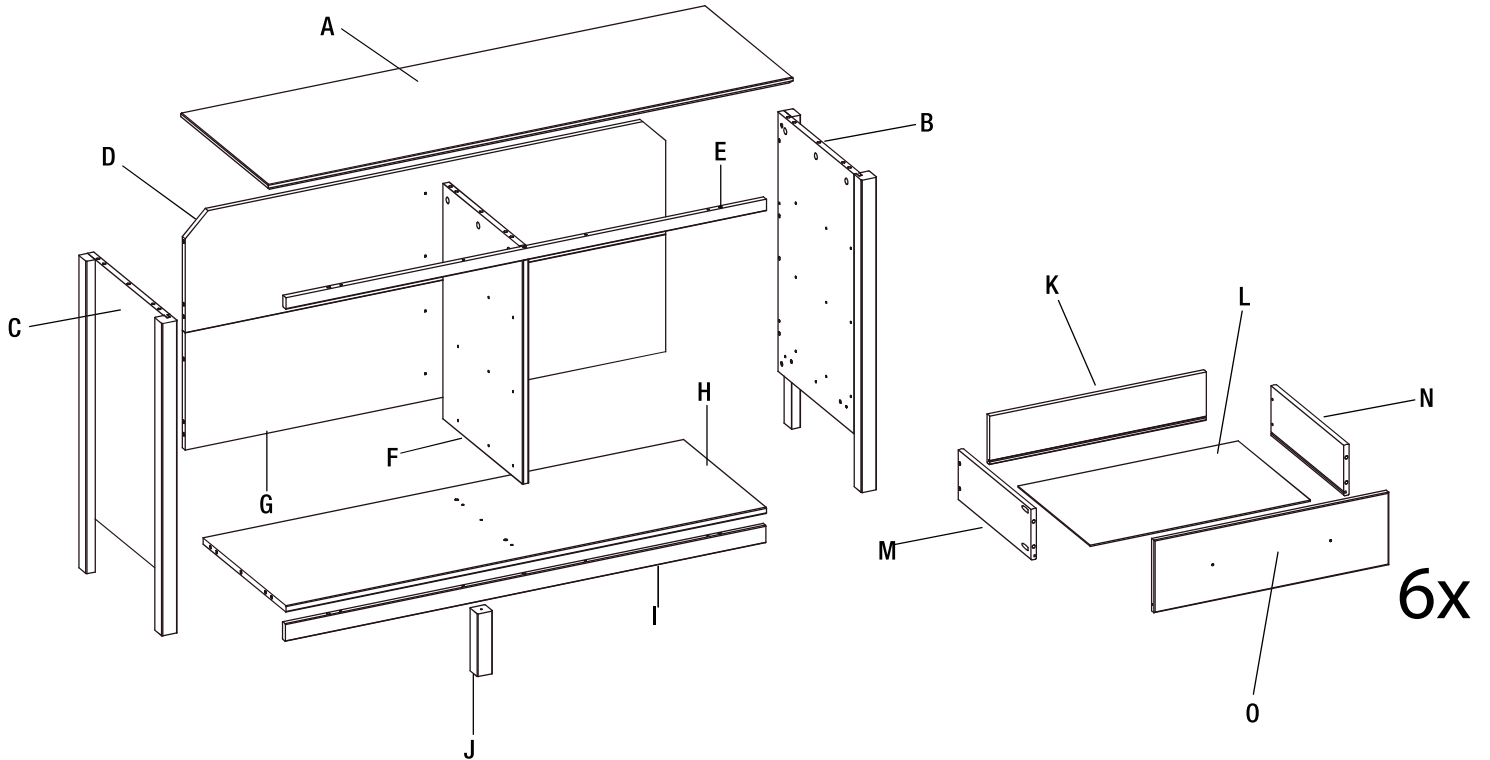


QQ

Part	Description	Quantity
AA	8X30 Wooden dowel	50
BB	3.5x30 Screw	52
CC	6X44 Screw mini-fix	19
DD	14x10 Case mini-fix	19
EE	4.0x40 Screw	20
FF	4.0x40 Screw	7
GG	3.0x16 Screw	36
HH	6x10 Screw	36
II	350mm Left Runner	6
JJ	350mm Right Runner	6
KK	16x5 Washer	4
LL	6x20 Wall plastic dowel	2
MM	26mm Knob	12
NN	75x14 Metal Corner	2
OO	19x20 Nail in caps	4
PP	3.0x16 Screw	2
QQ	35x33 Adjusting Screw	1

# Pre-Assembly (continued)

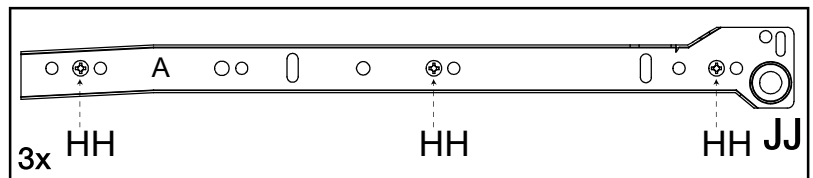
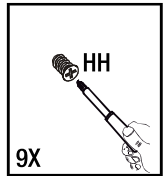
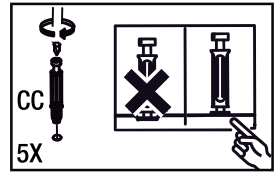
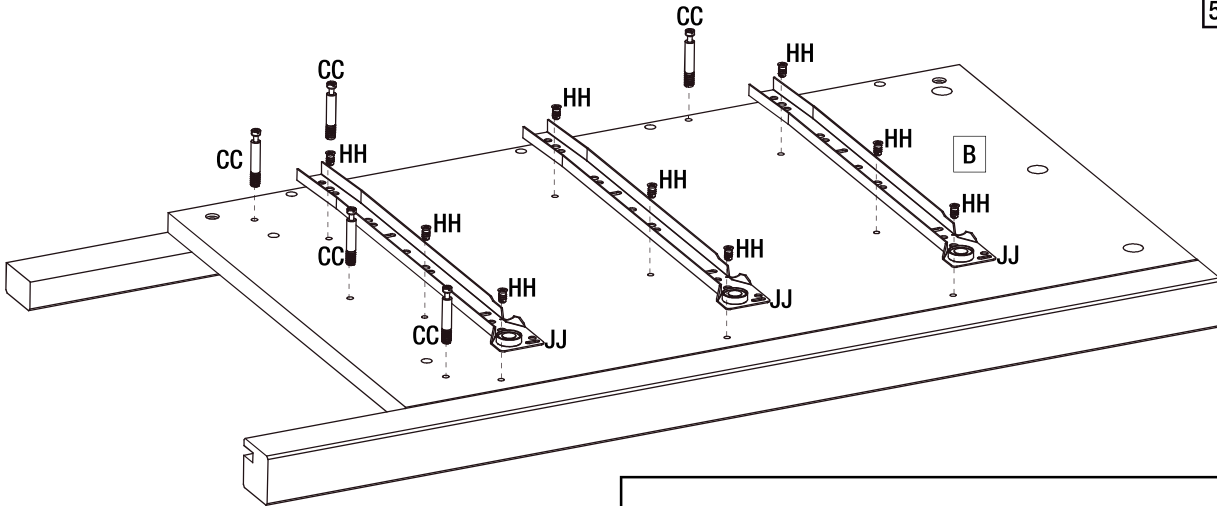
## PACKAGE CONTENTS



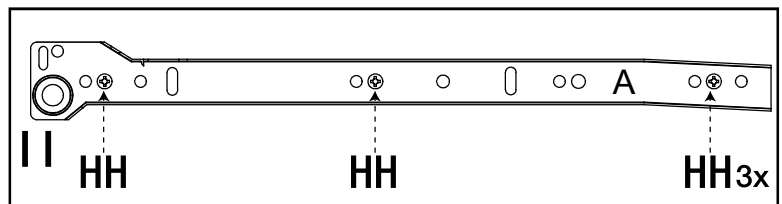
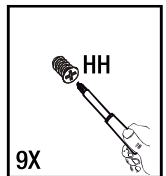
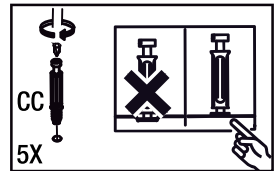
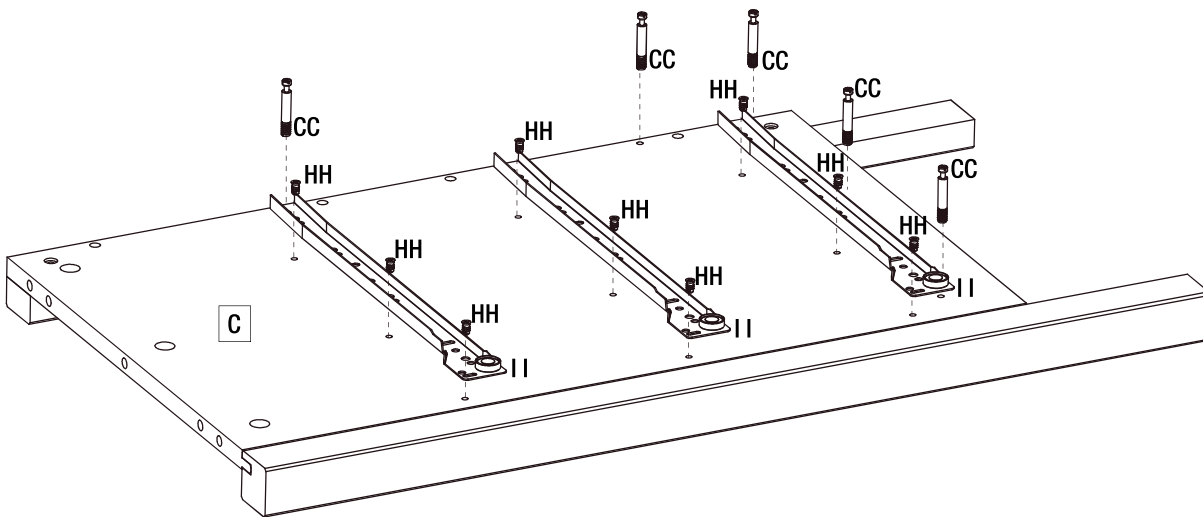
Part	Description	Quantity
A	Top Panel	1
B	Right Side	1
C	Left Side	1
D	Back Panel	1
E	Rail Front	1
F	Center Panel	1
G	Back Panel	1
H	Base Panel	1
I	Rail	1
J	Center Leg	1
K	Drawer Back	6
L	Drawer Bottom	6
M	Drawer Left Side	6
N	Drawer Right Side	6
O	Drawer Front	6

# 6 Drawers Dresser Assembly

## 1 Attaching the slides to the right side panel

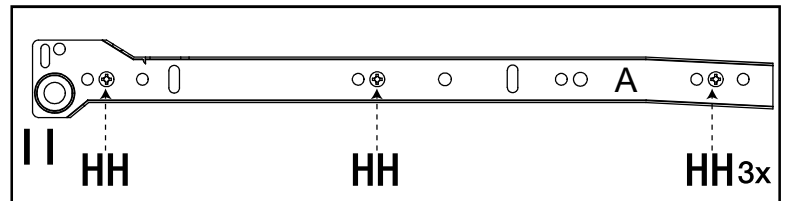
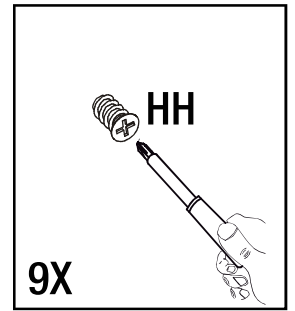
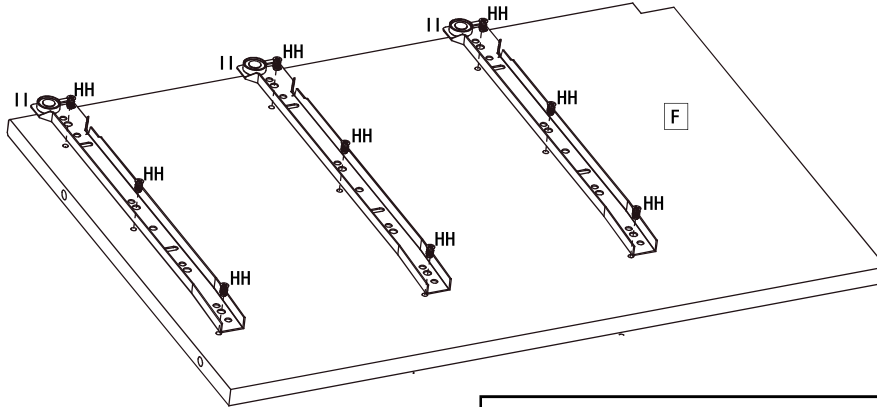


## 2 Attaching the slides to the left side panel

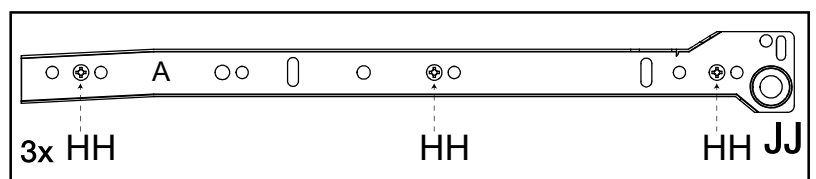
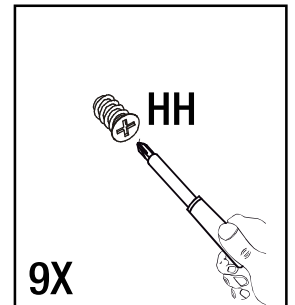
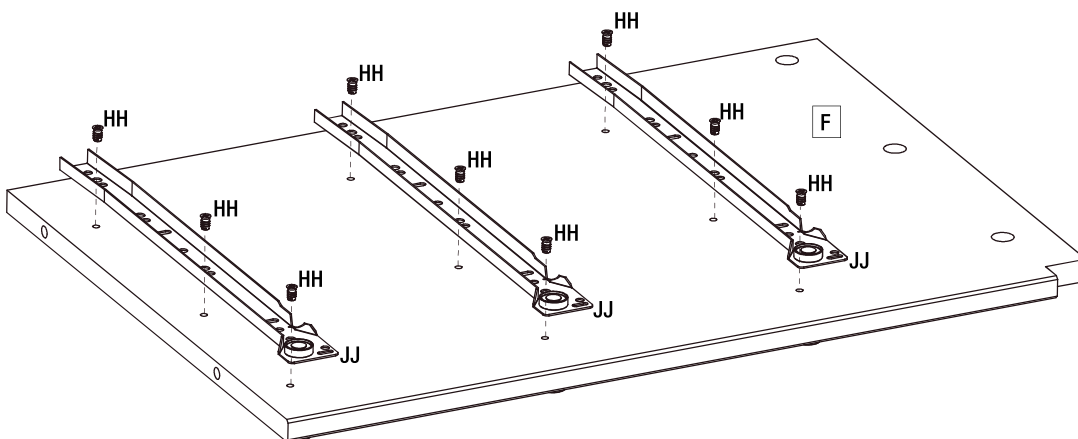


## 6 Drawers Dresser Assembly

### 3 Attaching the slides to the center panel

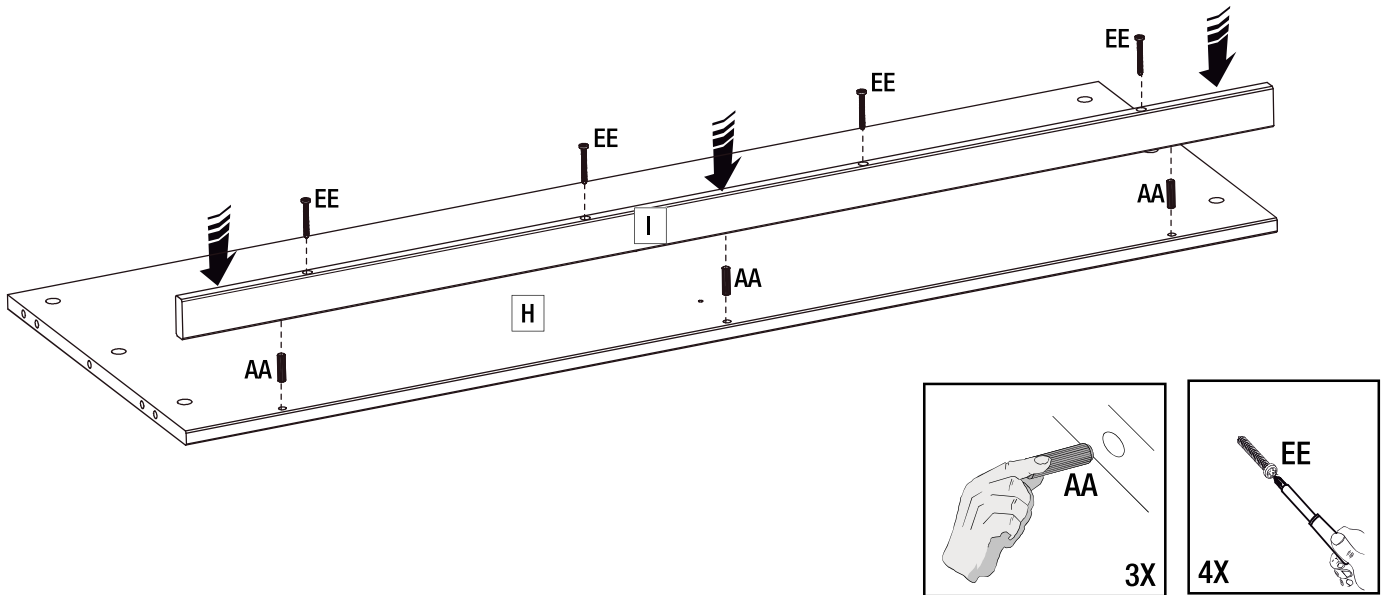


### 4 Attaching the slides to the center panel

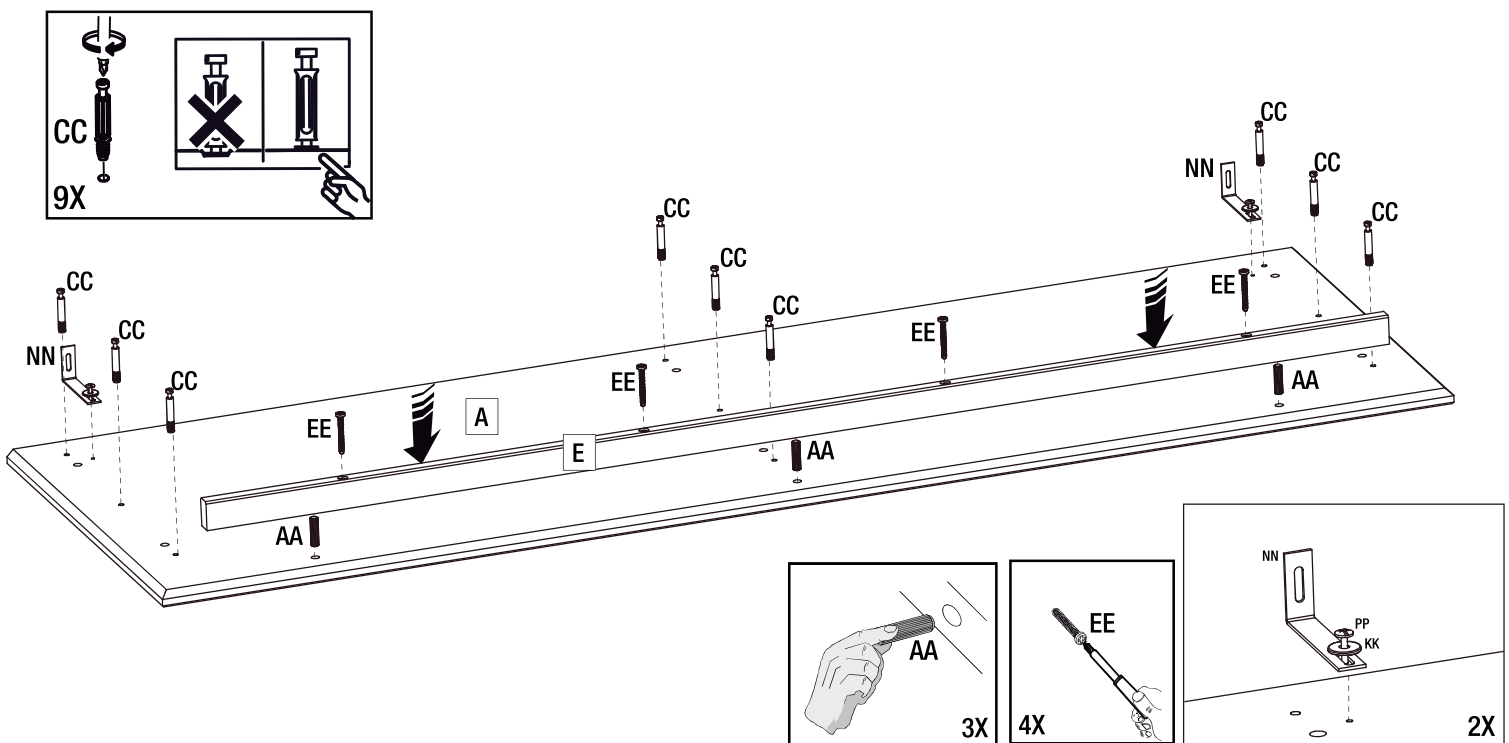


# 6 Drawers Dresser Assembly

## 5 Attaching the rail to the base panel

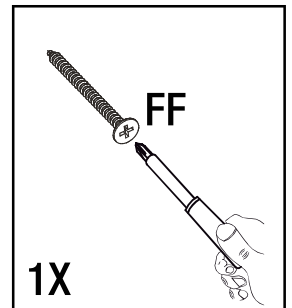
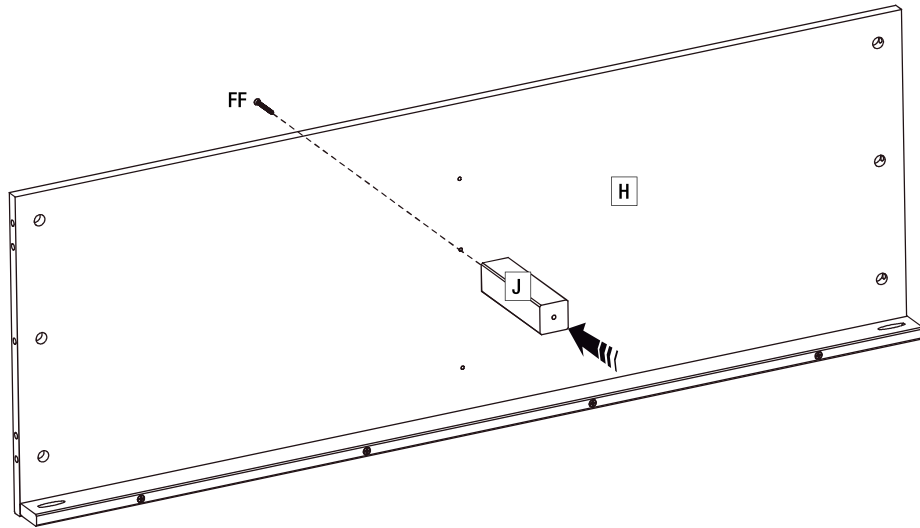


## 6 Attaching the rail front and the fittings to the top panel



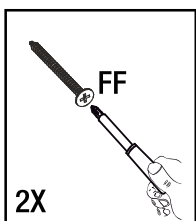
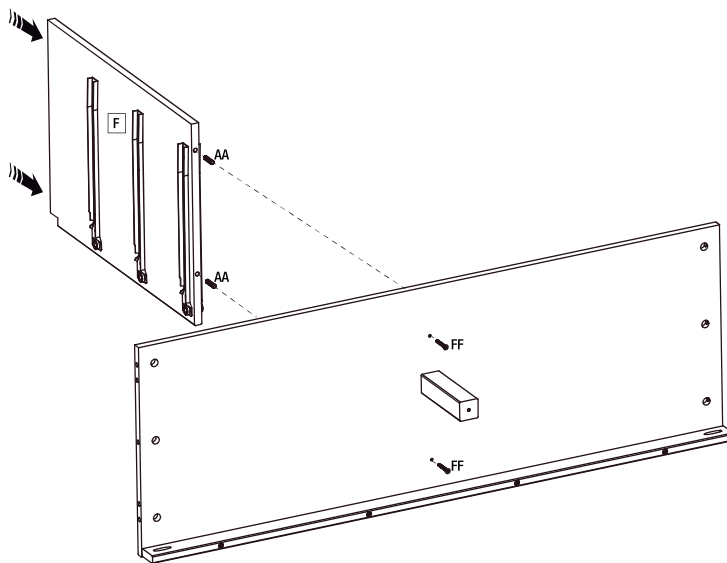
## 6 Drawers Dresser Assembly

### 7 Adding the center leg to the base panel

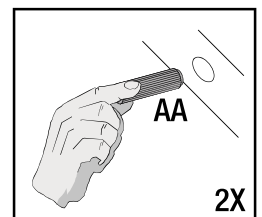


1X

### 8 Attaching the center panel to the base panel



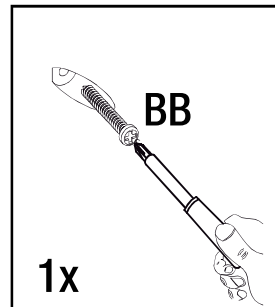
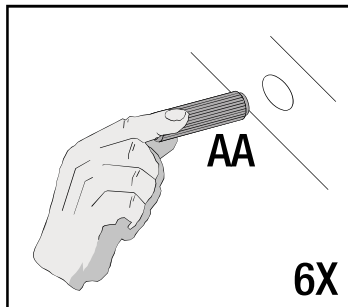
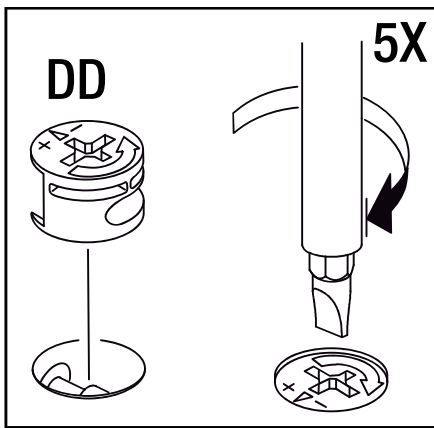
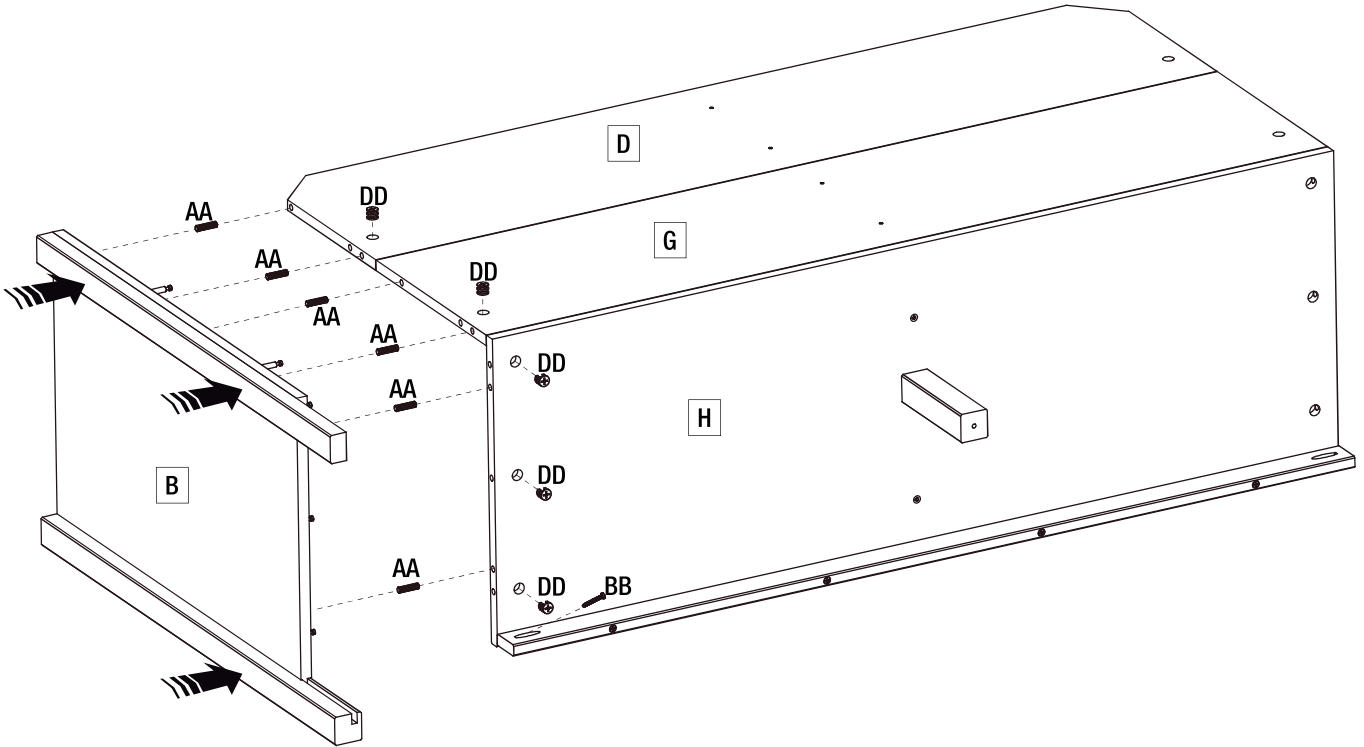
2X



2X

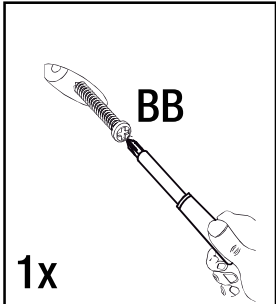
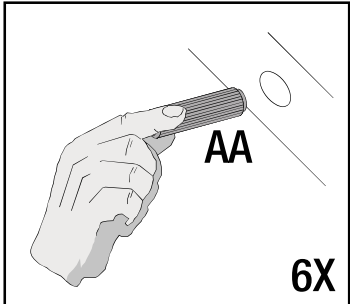
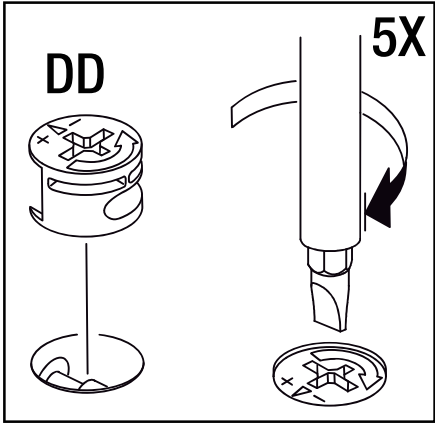
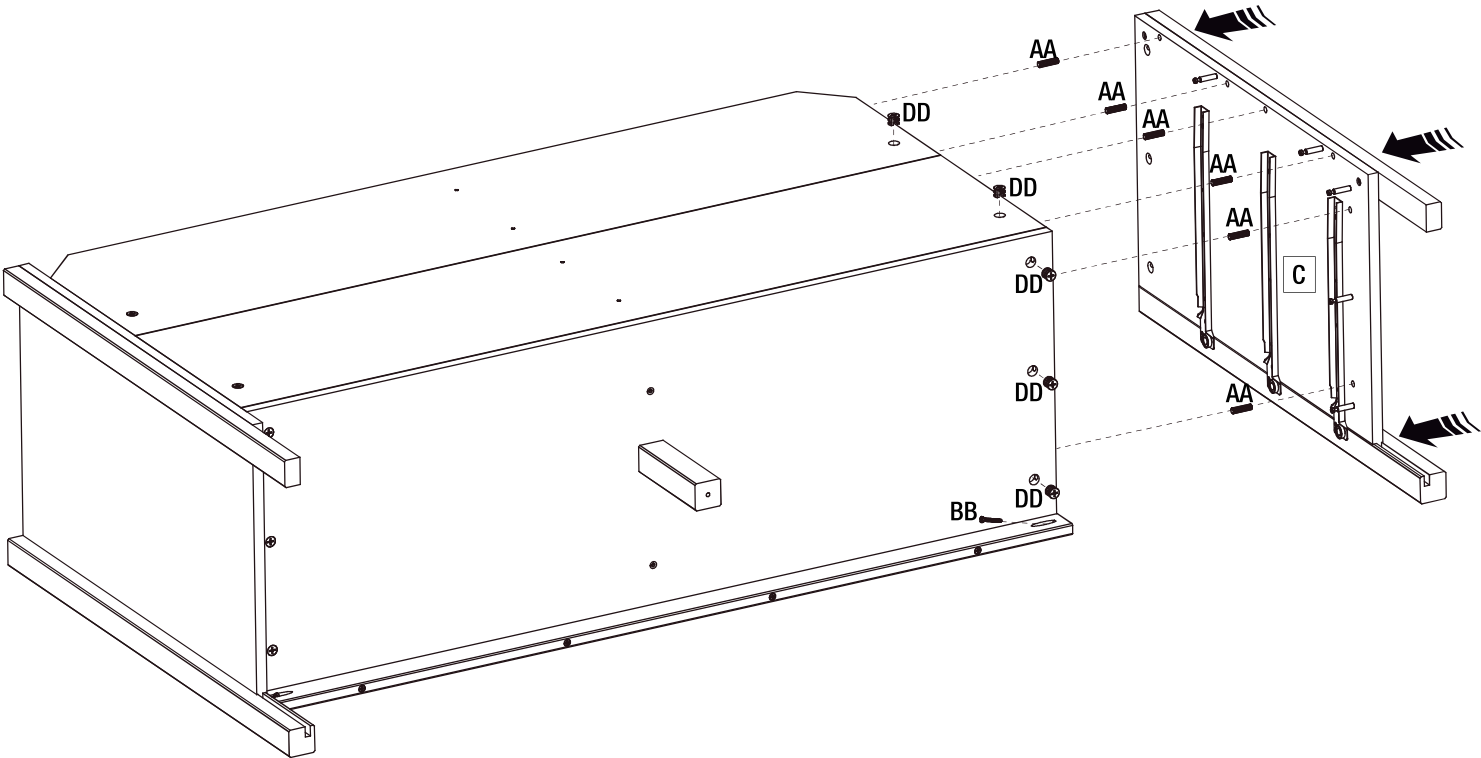
## 6 Drawers Dresser Assembly

### 9 Attaching the right side panel to the base panel and back panels



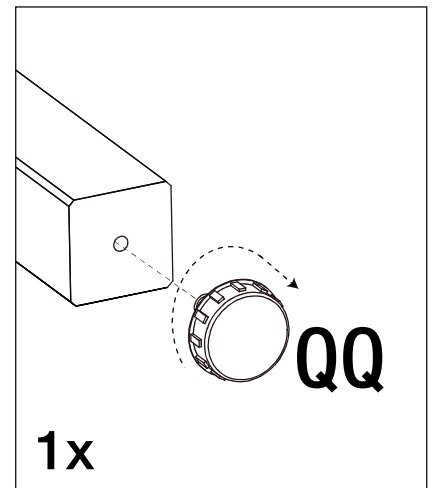
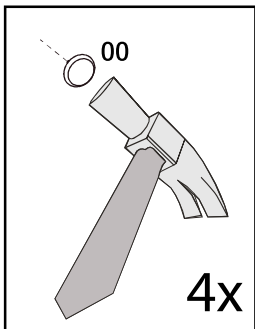
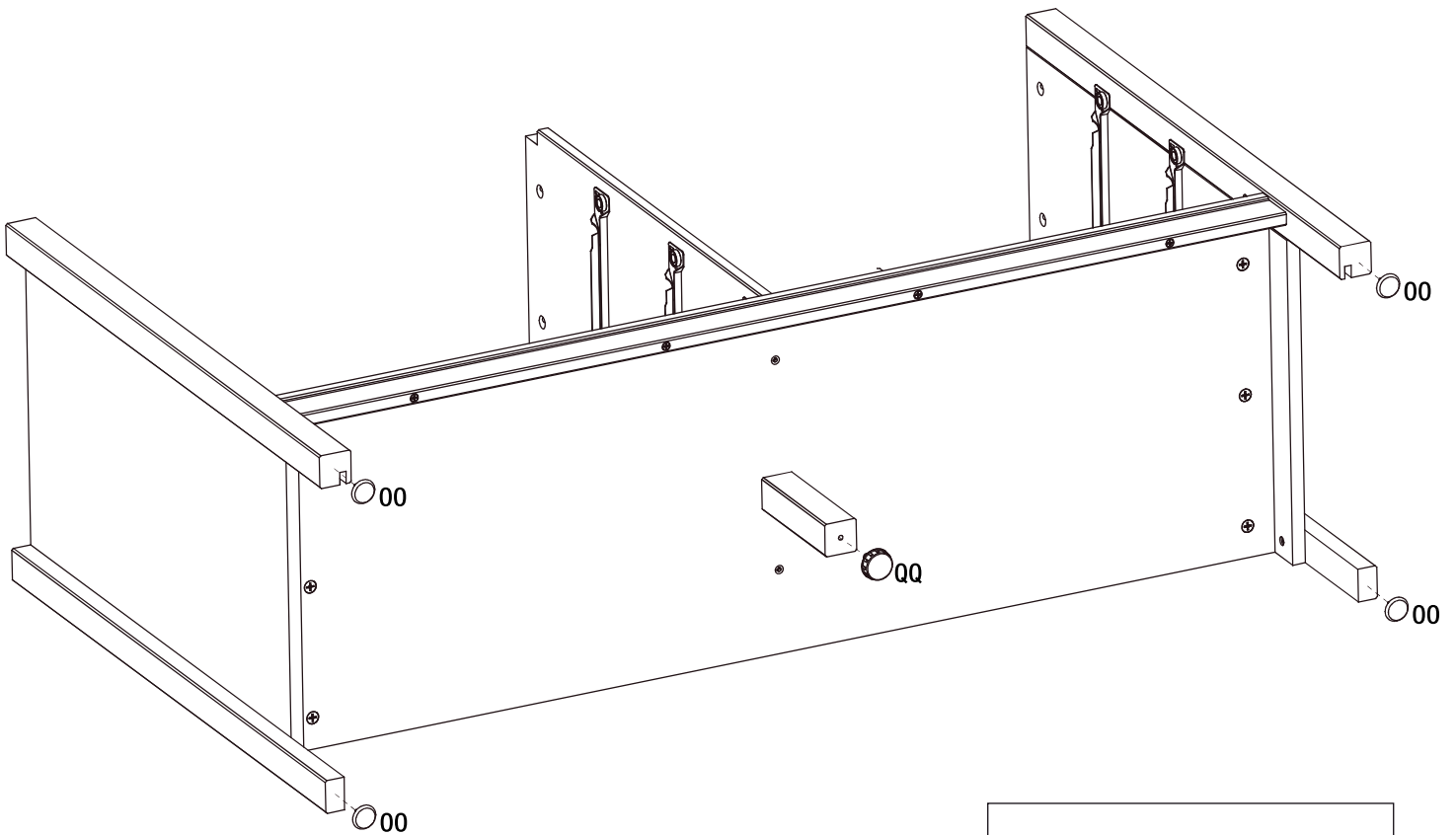
# 6 Drawers Dresser Assembly

## 10 Attaching the left side panel to the base panel and back panels



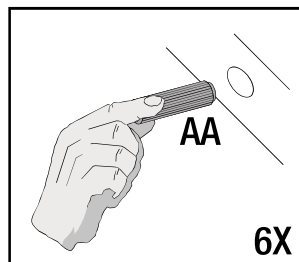
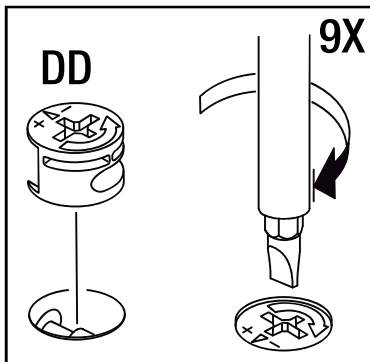
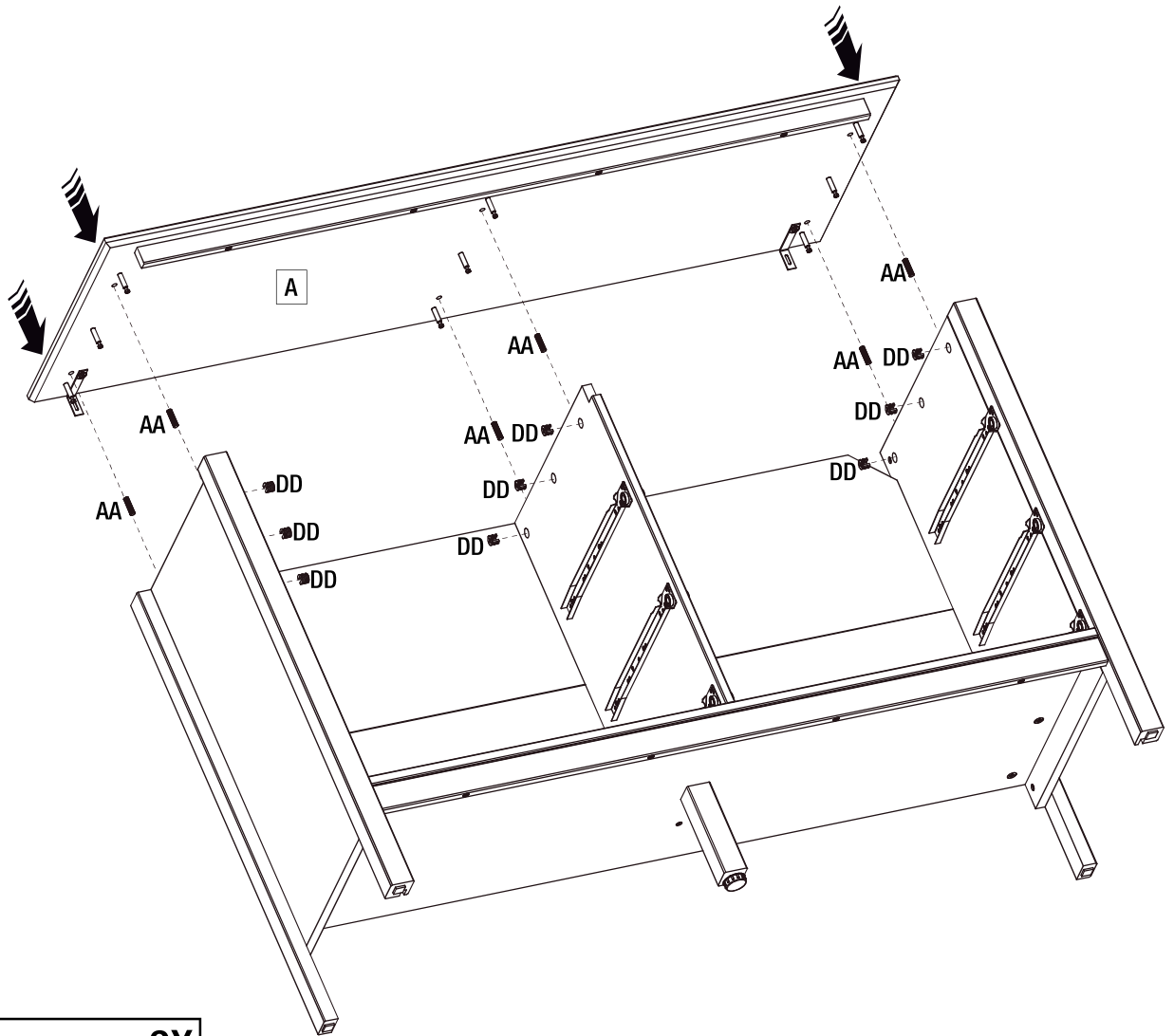
## 6 Drawers Dresser Assembly

### 11 Applying the floor protection to the feet and the adjusting screw to the center leg



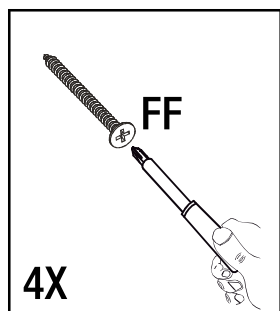
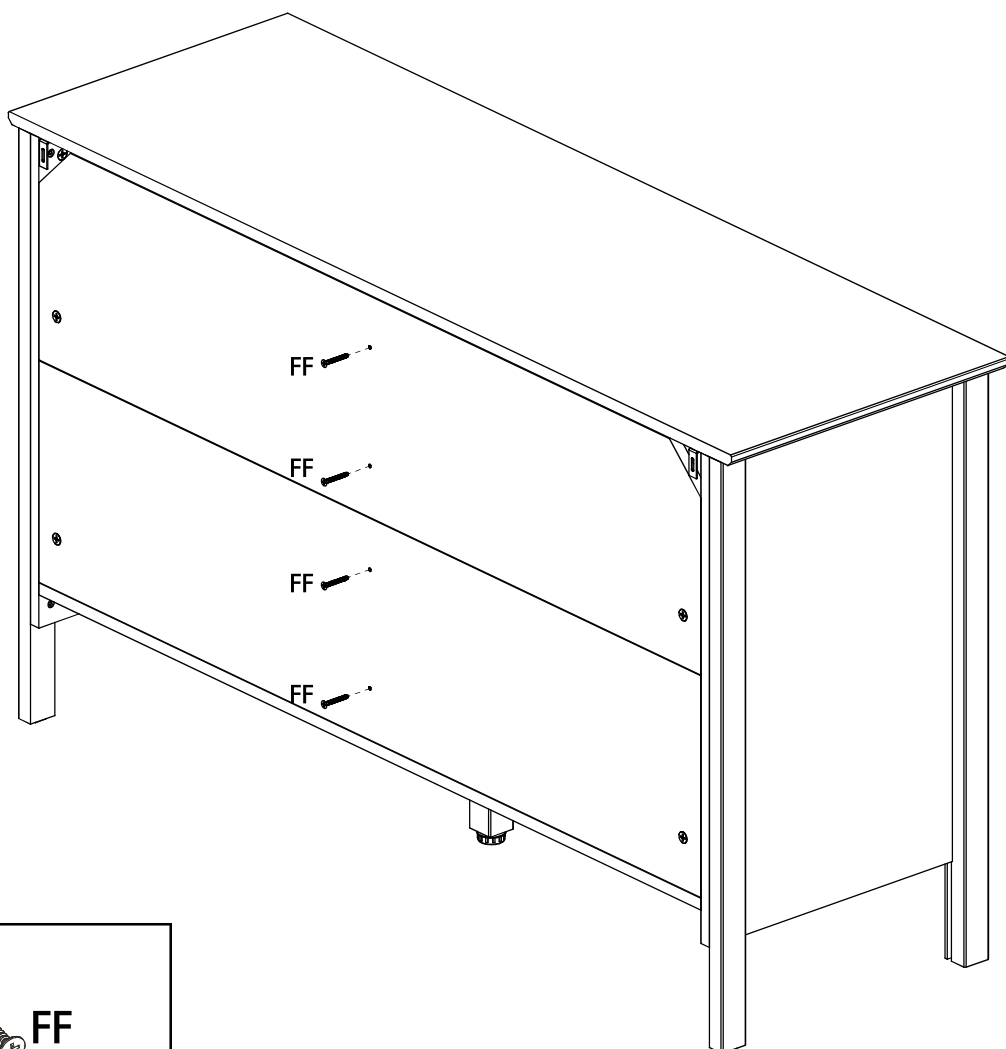
## 6 Drawers Dresser Assembly

### 12 Attaching the top panel to the center and side panels



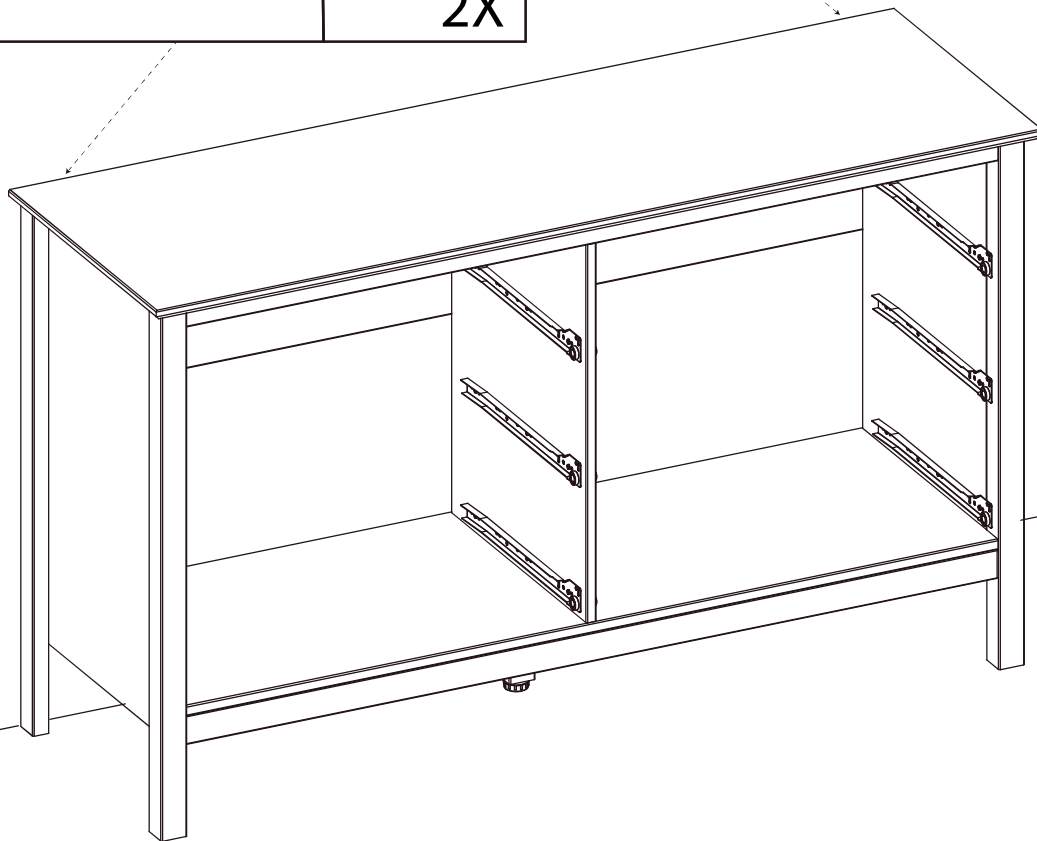
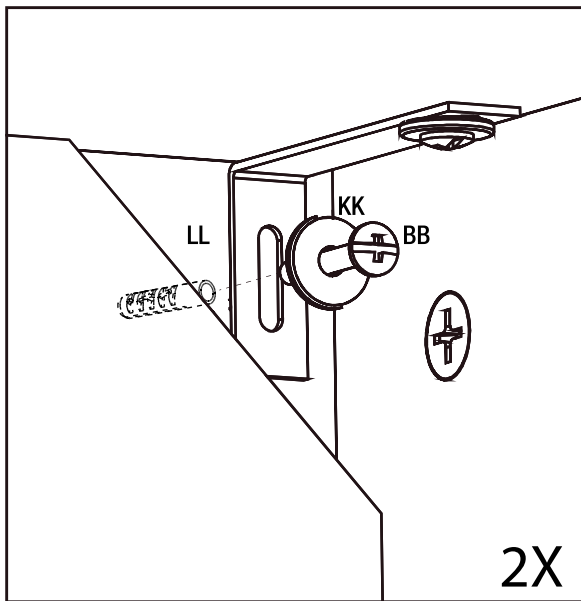
## 6 Drawers Dresser Assembly

### 13 Attaching the back panel to the center panel



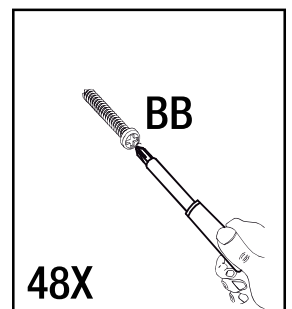
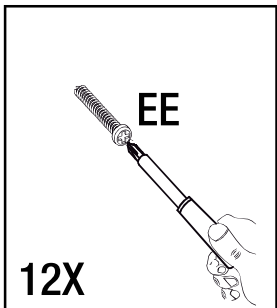
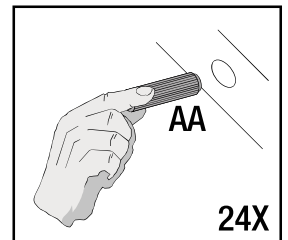
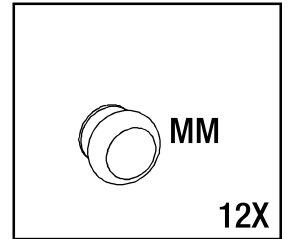
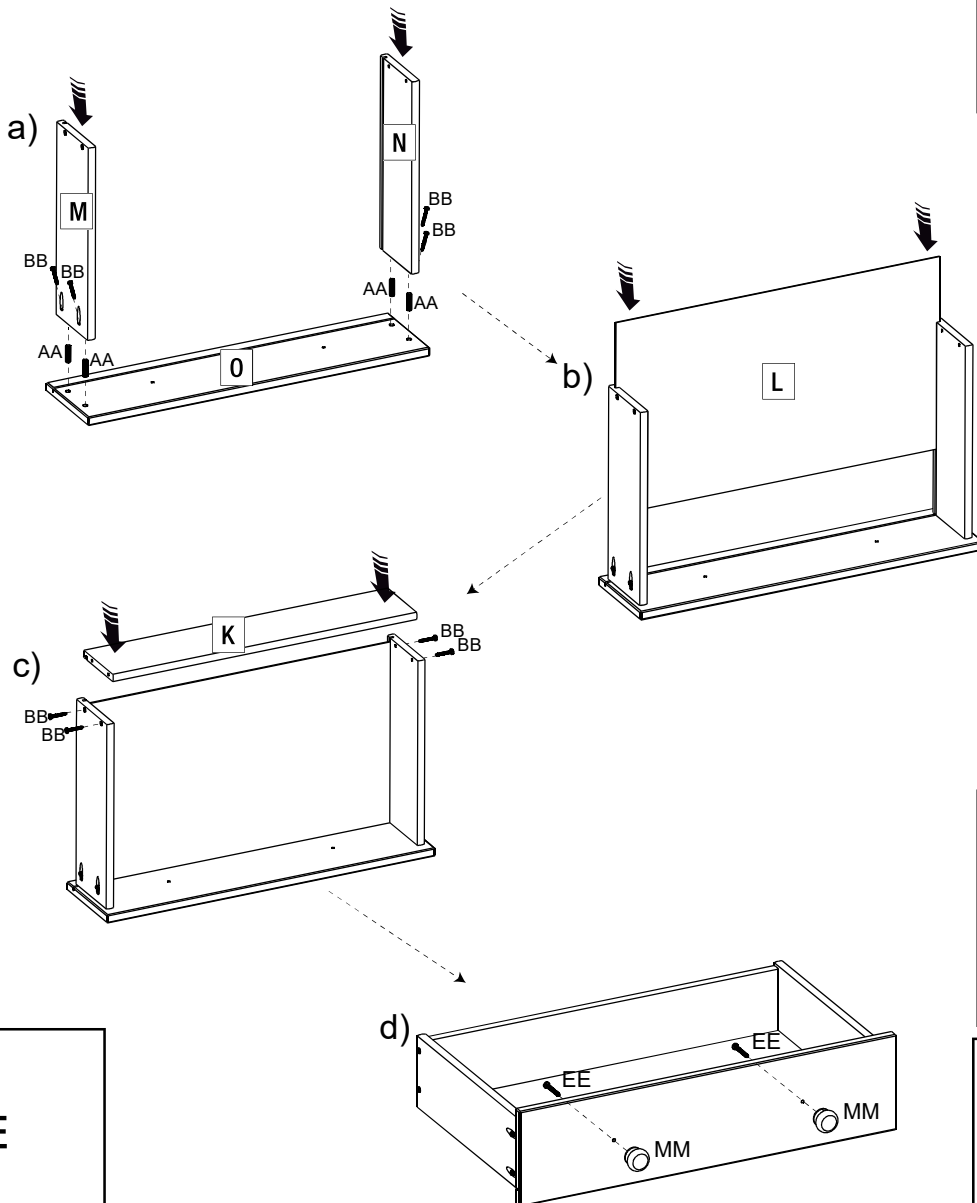
## 6 Drawers Dresser Assembly

### 14 Placing the tipover restraint on the wall



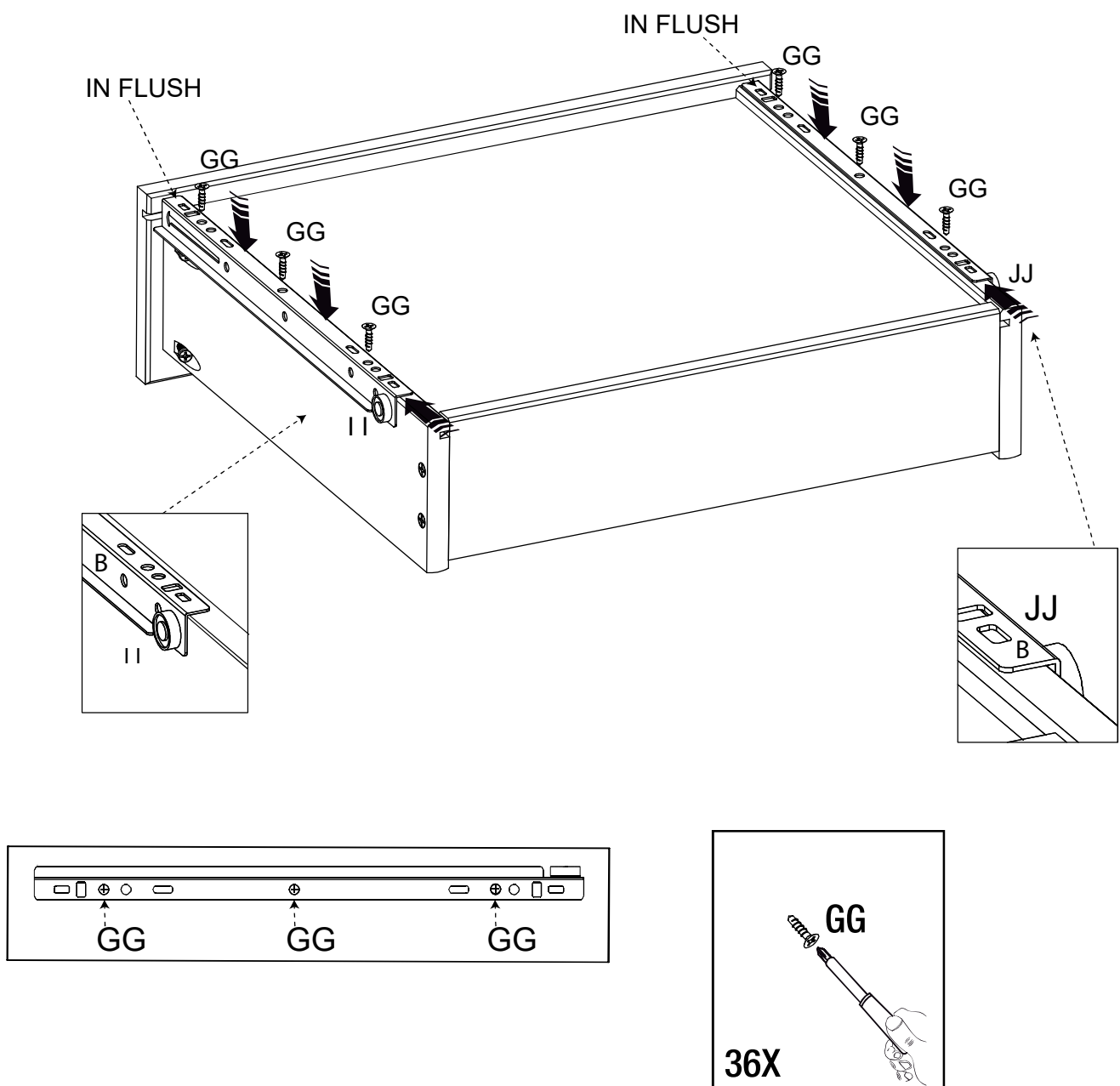
# 6 Drawers Dresser Assembly (Repeat Step 6x)

## 15 Assembling the drawers



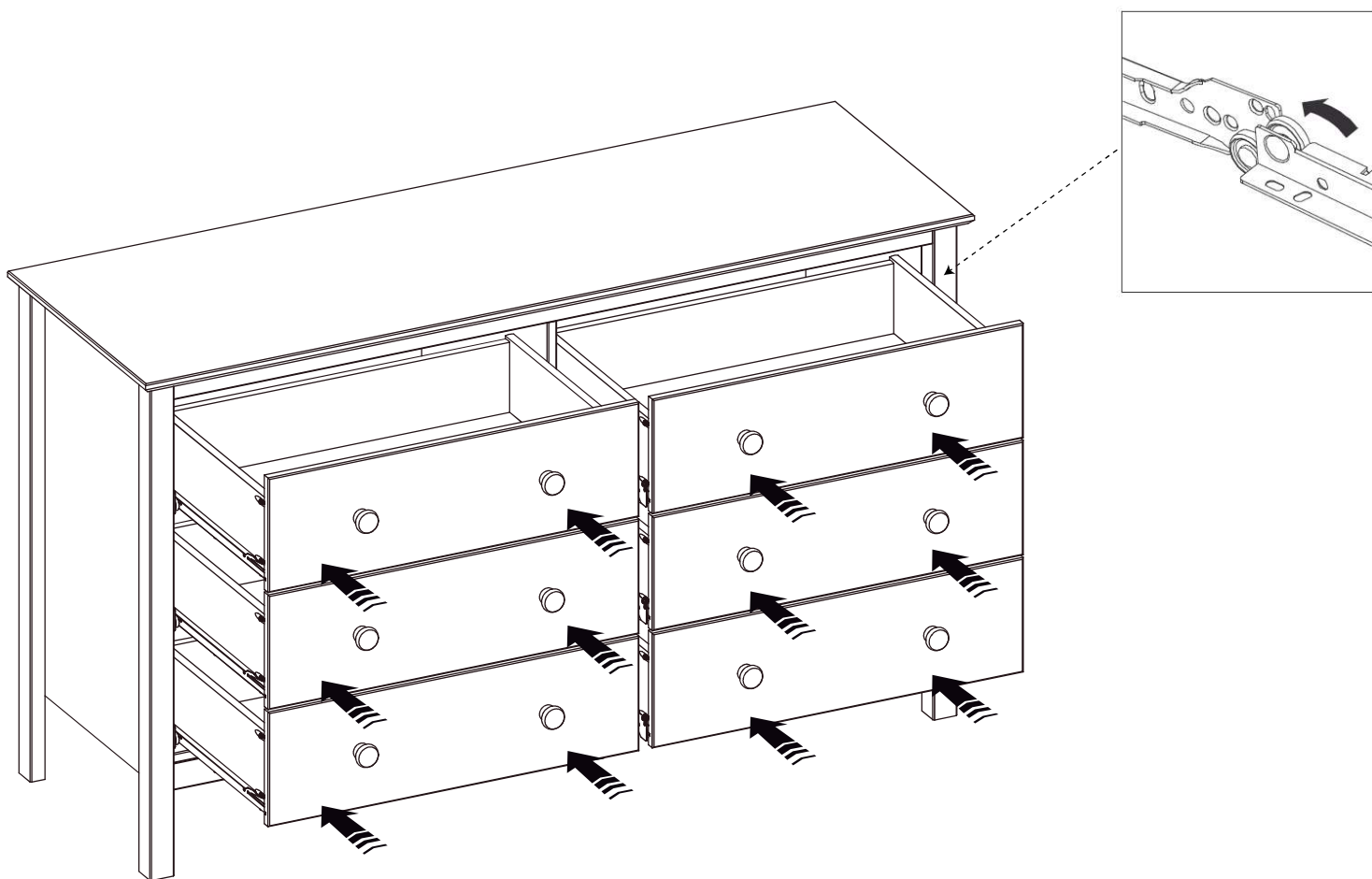
## 6 Drawers Dresser Assembly (Repeat Step 6x)

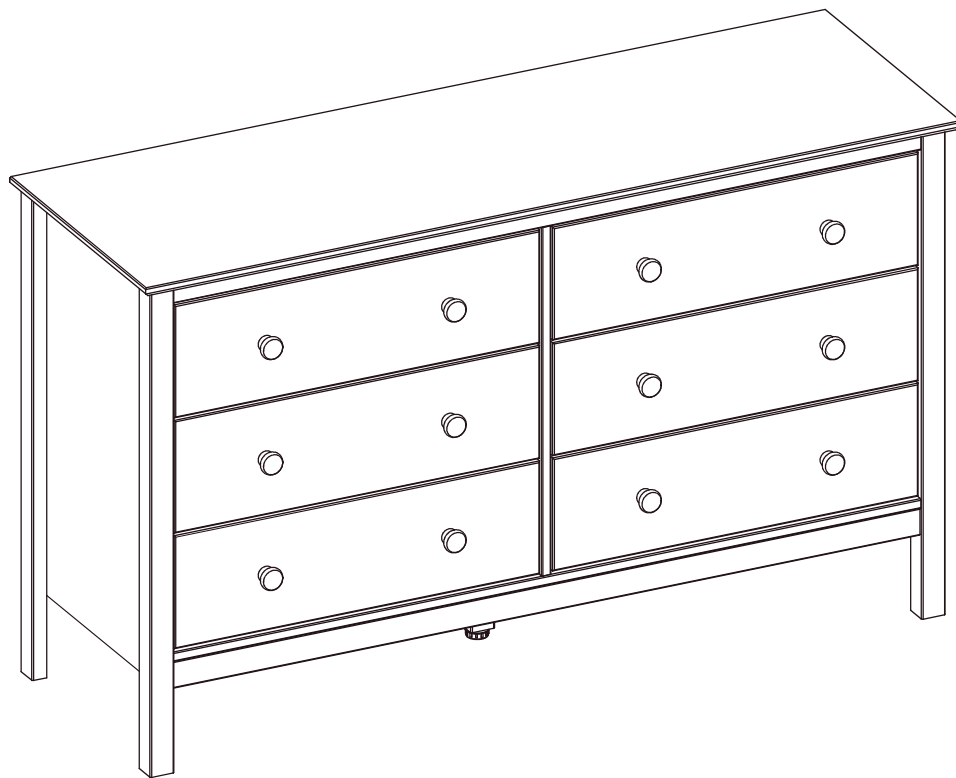
### 16 Attaching the slides to the drawers



## 6 Drawers Dresser Assembly

### 17 Placing the drawers in the dresser





## Care and Cleaning

- For best results, clean the furniture with a damp cloth and dry thoroughly. This will help prevent mildew by removing dirt particles that may accumulate.
- Do not clean with abrasive materials, bleach, or solvents.
- Store the furniture in a dry, sheltered place when not in use.
- Keep the furniture away from fire, extreme heat, freezing conditions, and inclement weather such as rain, hail, sleet, snow, or wind.

# StyleWell.™

Questions, problems, missing parts?  
Before returning to the store, call Customer Service.  
8 a.m. - 7 p.m., EST, Monday - Friday, 9 a.m. - 6 p.m., EST, Saturday

**1-877-527-0313**

**HOMEDEPOT.COM**

Retain this manual for future use.