

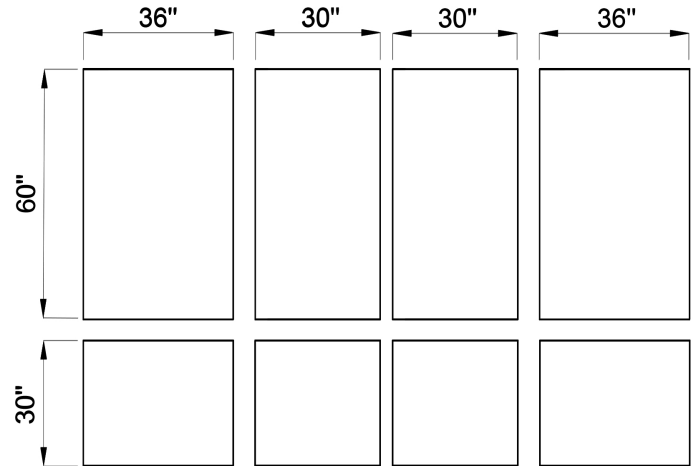
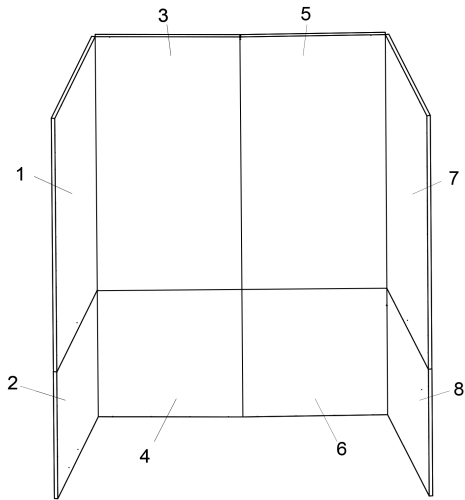
Ella Multi-Piece
Cultured Marble
Shower Wall
Surround
Installations Manual

ella
by ella's bubbles

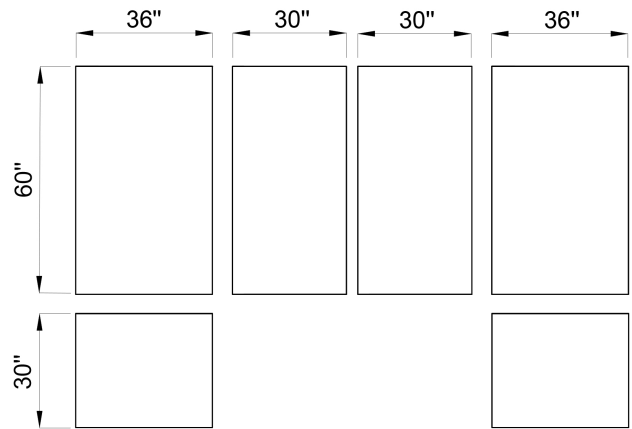
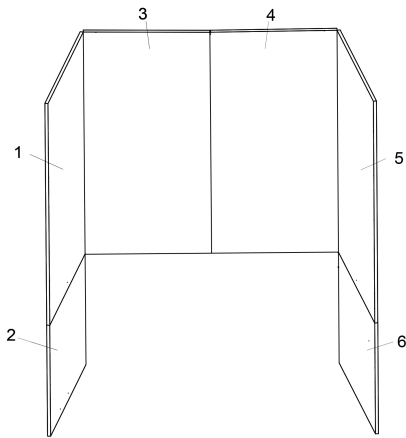


Please refer to your purchased shower wall package.

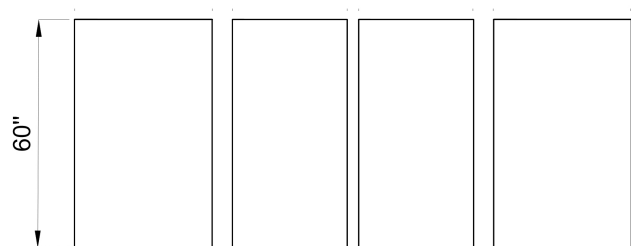
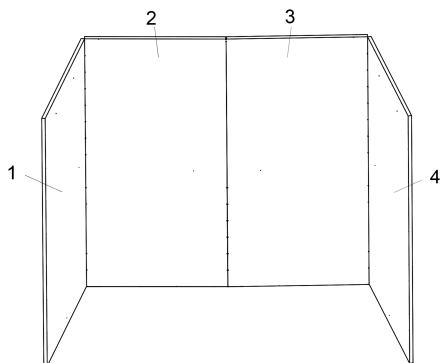
8 Piece Shower Panel Surround



6 Piece Shower Panel Surround

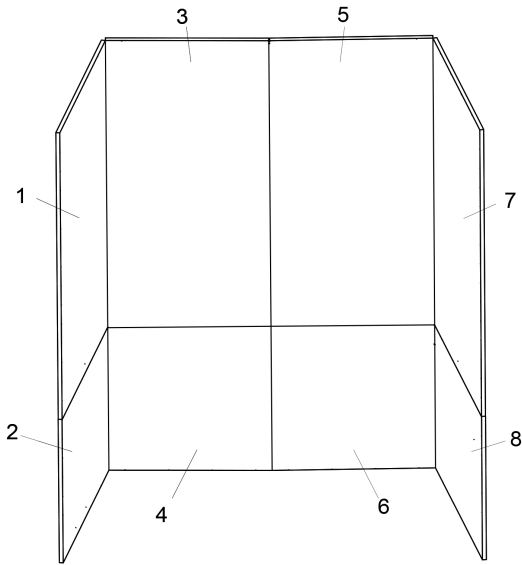


4 Piece Shower Panel Surround



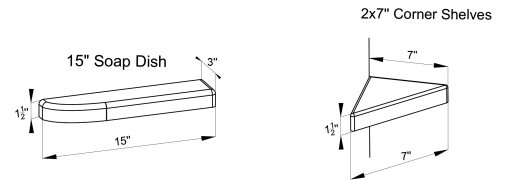
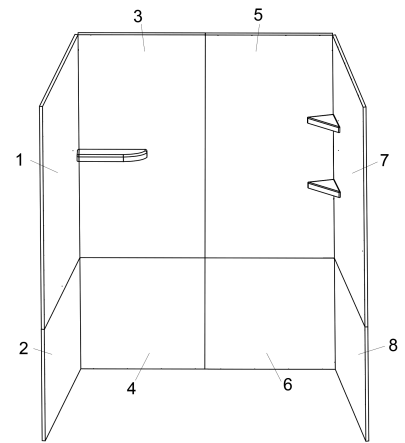
Please refer to your purchased accessory package.

Package 1



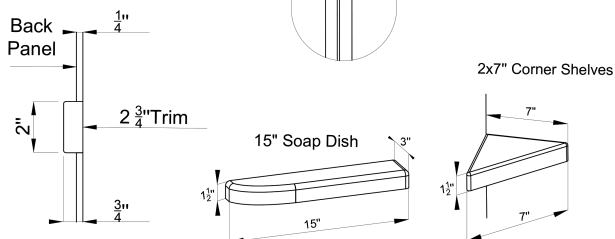
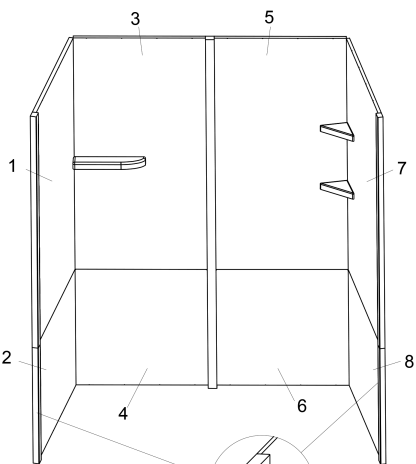
Package 2

Soap dish + 2 corner shelves



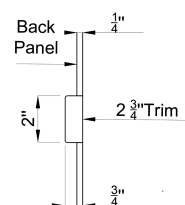
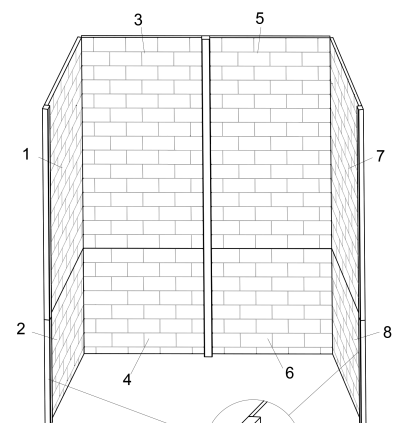
Package 3

Trim + soap dish + 2 corner shelves

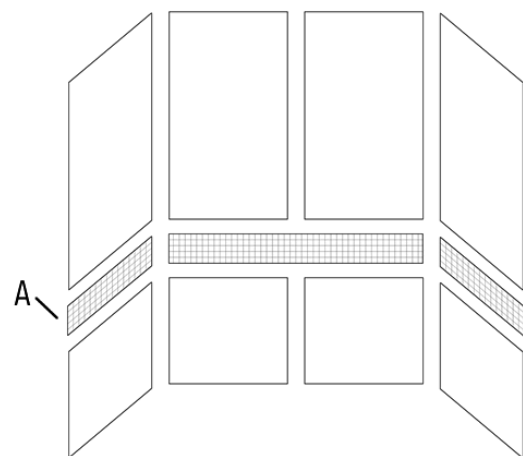
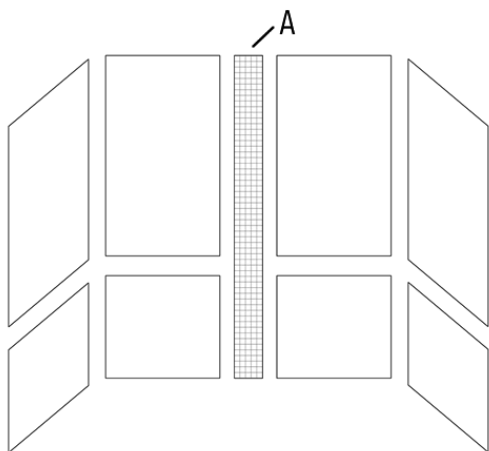
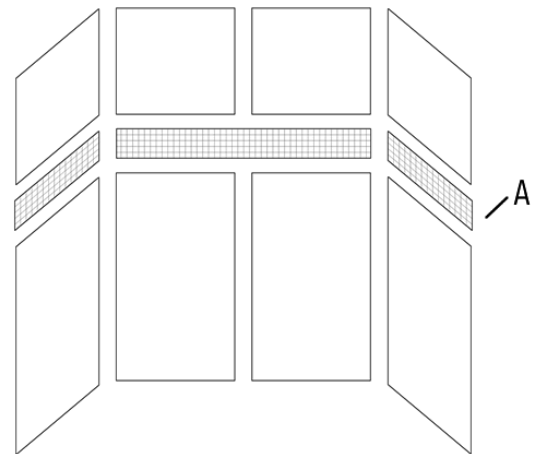
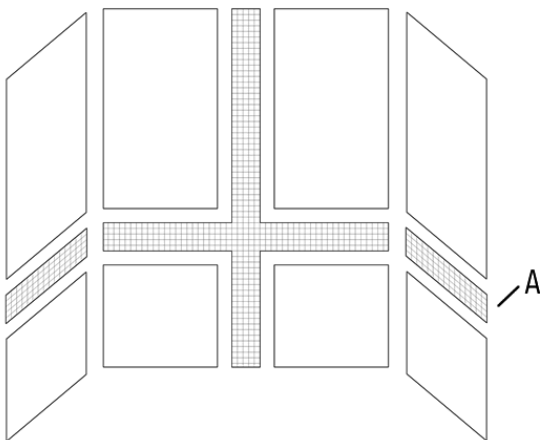


Package 4

Trim



Please see the below installation ideas for adding decorative or mosaic tile (marked A in drawings). Decorative tiles (not included) can be purchased by the customer and installed in between shower wall panels as a decorative accent strip or if the joint lines of panels do not meet customer's expectations. The wall panels do not have rounded off edges, so it is suggested to add mosaic or decorative tile strip (optional). By adding decorative tile between the panels can also be used to increase the size of the walls. For example, 6" mosaic tiles can be added between the 30" and 60" panels to achieve an 8' high shower wall. The $\frac{3}{4}$ " thick 2" trim also can be used as a separation piece between 2 panels and can be purchased separately if not initially included in your package.



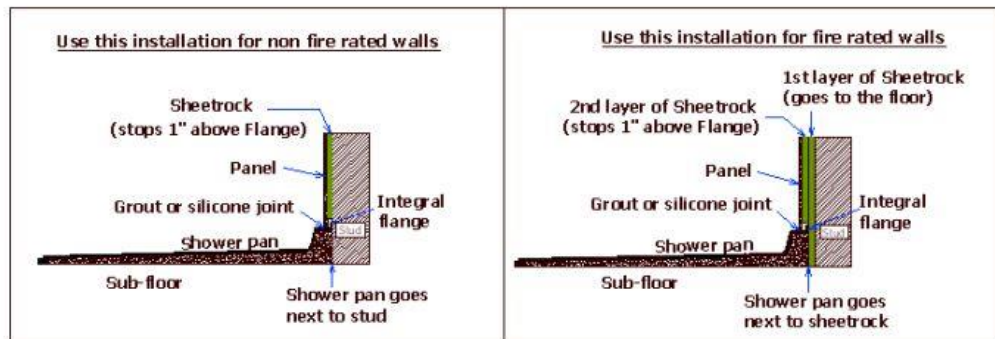
Special care must be taken in handling these panels, especially in cold weather. The indented grout lines are of necessity a little thinner than other areas of the panels causing this type of panel to be more fragile than our typical cast marble panels.

IMPORTANT: Panels are to be at room temperature (65 degrees or above) when being cut and during installation. If panels have been stored outside in cold weather, bring them inside 24 hours prior to installation so they can warm. If this is not possible, use extreme caution as cold weather makes the panels brittle and may cause excessive breakage. This type of breakage is not covered by Ella's Bubbles warranty.

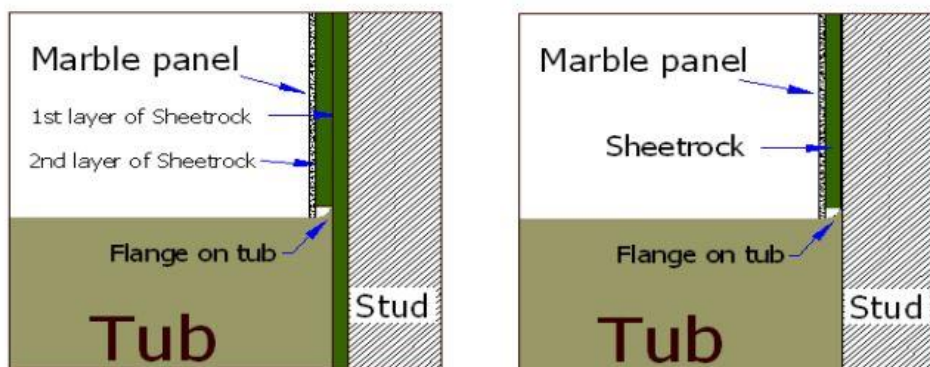
IMPORTANT: The tub/pan should be installed before the substrate. This is so that the flanges on the tub/pan will be behind the substrate. If the tub/pan is installed after the substrate, the flange will be outside the edge of the substrate when the panels are installed, the bottoms of the panels will be bowed outward. If the pan is already installed and the flanges are outside the substrate, an additional piece of substrate should be installed so that the flange is underneath the substrate, but should stop about 1" above the flange. The substrate around the entire enclosure should not be resting on the flange of the tub/pan. (See drawing A).

Drawing A:

**Standard
Pans**



**Standard
Tubs**



IMPORTANT: If grab bars are to be installed, blocking should be installed behind the substrate before attempting to install the grab bars on the panels. The holes for the grab bars should be pre-drilled in the same area of the blocking prior to installing the grab bars.

Failure to do this will cause the grab bars to come loose and could cause breakage or cracking of the panels. This type of breakage is not covered by Ella's Bubbles warranty.

IMPORTANT: These panels are manufactured with full blocks of tile at the top and bottom of the panels. In order to keep the grout lines level; it will be necessary to trim the bottom of the panel if the tub/pan is out of level. All other cuts will be made on the top of the panel, to adjust the height of the panels.

IMPORTANT: To get the best possible look with these panels, it is important to align the grout lines. The best way to accomplish this is after the back panel has been installed and the overall measurements of the side panels have been taken, measure from the tub or shower base up to a grout line at eye level on the back panel. Before you cut the height of the side panels, measure from the same spot on the side panels and, if needed, you can cut a little off the top and bottom of the side panels to help align the grout lines. If you have any questions about this procedure, please call customer service at 1(800)480-6850(US).

The wall panels may be installed over drywall, plaster, painted walls, plywood, or any solid Wall, stud or existing tile surface. Wall surfaces must be clean, dry and free grease, dust and loose or flaky paint or plaster. Additional bracing to the support optional grab bars and/or seat should be installed at this time. Refer to the accessory manufacturer instructions for proper installation according to local building codes. Plan rough plumbing requirements (drain- venting- supply lines) at this time according to local building code. Turn of water supply to bathtub, remove existing control valve handle(s) cover plates and filler spout.

Prepare walls, floor and base.

Confirm that all components have been included before beginning your installation. Floor leveling compound should be use under the shower base if your floor is not perfectly level. Do not screw or bolt the base to the floor.

INSTALLERS NOTE: You will need to start the top of all of the panels at the exact same place so that the "grout joints" will meet in the corners.

IMPORTANT: If installing the new Ella's Bubbles panel system over existing tile, make sure the walls (substrate and framing) are in good shape (no water damage, mold or mildew) and the existing tiles are not badly broken. If this is the case, then clean the back of the panels with acetone, apply 100% silicone instead of standard construction adhesive and adhere the panel directly over the tiles. Brace with a 1 x 4 or 1 x 2 scrap until dry then install a thicker trim strip over exposed edges. Seal the trim all the way to the floor.

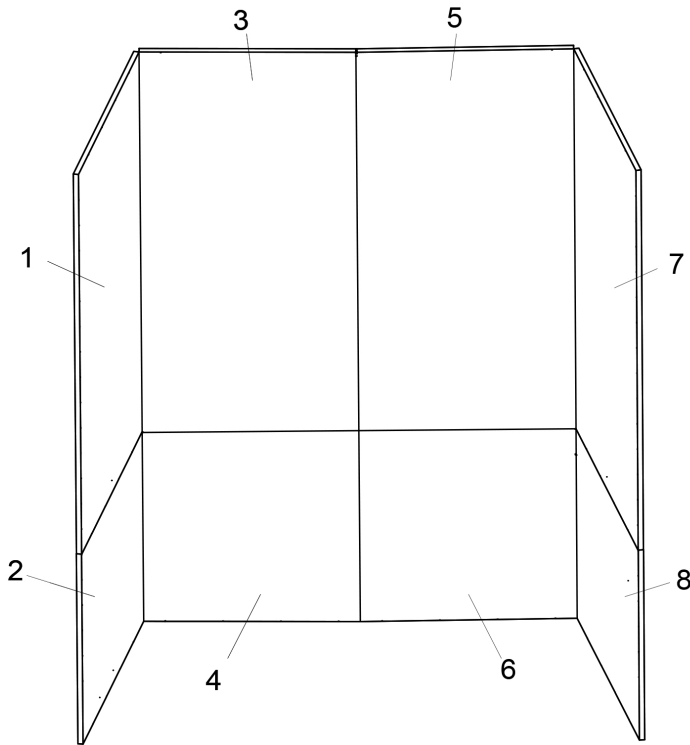
1. Circular Saw with a masonry blade
2. Drill for using hole saws
3. Saw horses
4. 2x4s for saw horses to help support the panels
5. Sandpaper (recommend using 80 grit) for sanding cut edges
6. Tape measure
7. Pencil
8. 24" level
9. Acetone
10. Dry rag
11. Hole saw or jig saw to cut holes for plumbing fixtures
12. 100% Silicone must be used for panel installation
13. Latex caulk for marble to drywall seams
14. 1" x 2" or 1" x 4" material for bracing panels

Blade
example



Silicone
example



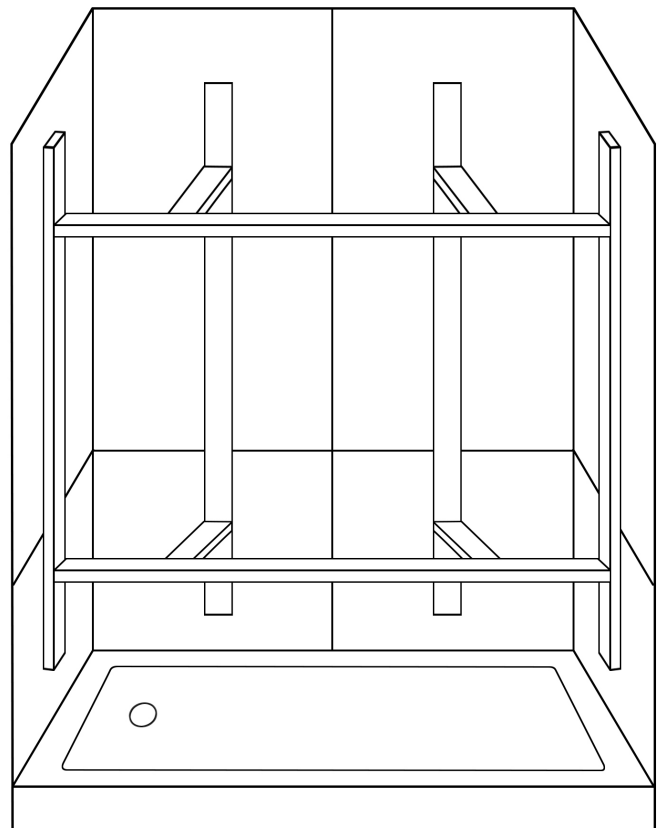


After the shower base is installed please follow the correct sequence of panel installation by referring to the drawing on the left.

4 & 6, 3 & 5, 2 & 8, 1 & 7

Bracing example:

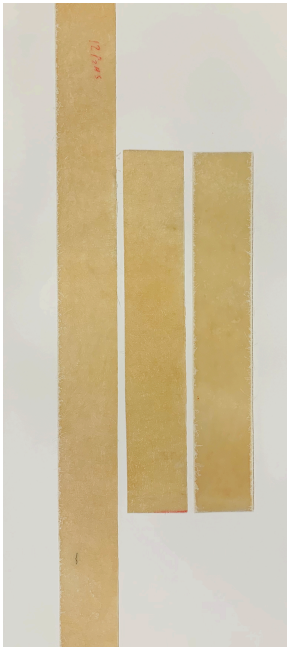
Each panel must be braced for the 100% silicone to entirely cure. Please follow purchased silicone manufacturers directions.



1. Check to see that the tub/pan is level from front to back and left to right. The maximum tolerance for level is +/- 1/4". Also note that a gap of 1/8" is the maximum tolerance on marble seams.
2. Accurately measure tub spout and handle(s) hole location on alcove side wall from the front edge of the bathtub and transfer dimensions to one of the side panels. You may want to make a template (use shipping carton) to check hole layout before you cut holes into side panel. After you have double checked your measurements, using the proper size drill or hole saw, cut out holes for outlets ..
3. Place the Center Panels against back wall, raised from edge on bathtub rim covering the flange. Align center lines, using masking tape - temporarily tape center panel in place. Position drilled side panel over tub spout and handle(s), be sure to align front edge with front edge of bathtub, temporarily tape in place. Temporarily tape remaining side panels in place, align front edge of side panel with front edge of base/ tub. These will be your reference lines for permanently installing panels. Remove panels.

Venting Method

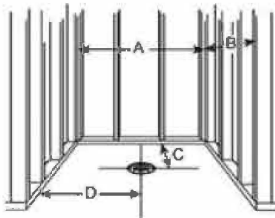
4. Apply a 1/8" dia. bead of adhesive to the back side of one of the Center Panels using a random "zig-zag" pattern. Carefully position panel on the back wall of alcove, align previously marked centerlines and top edge guide lines. Press panel in place, working from top edge to bottom. "Vent" panel following procedure described on adhesive cartridge before proceeding to install drilled side panel next, be sure to align front and top edge guide line. Follow the same procedure for the remaining center and side walls starting from the center bottom panels, then side bottom panels, and finally repeating that for the top row of panels.
5. After all the walls have been installed; it is best to brace the walls with 1x4 or 1x2 scarp, being careful not to put too much pressure on the panels, as they are fragile. Use a small block of wood on the ends of each side of your brace to help distribute the pressure. Note: Additional bracing may be required.



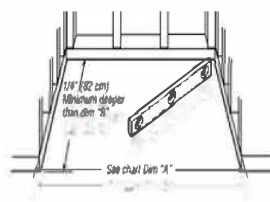
Note: If you have purchased reversible shower base please attach/ glue the 4" fiberglass tile flanges with 100% silicone before the shower base installation. The shower panels will be installed over the tile flanges and siliconed to protect from leakages behind the base.

Important: Read these instruction before starting installation

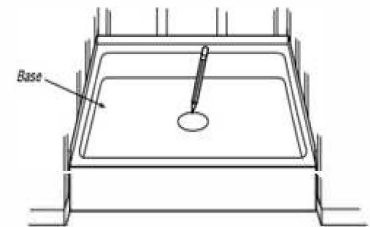
■ Prepare walls, floor and base.



1. Frame alcove nothing your base dimensions.

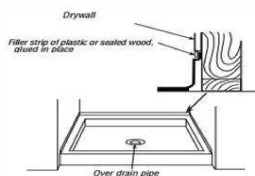


2. Position base and trace drain location.

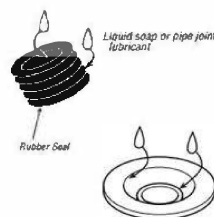


3. Cut drain access a install drain pipe.

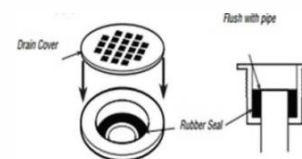
■ Install shower base.



4. Install drywall and filler strip



5. Lubricate rubber seal, pipe & drain and insert tap down until flush with drain pipe



6. Check that seal is flush with pipe and instal drain cover

Important: Read these instruction before starting installation

Trim strips, as a rule, are manufactured at 36" and 60". The installer should plan to trim each piece to fit the area in which it will be installed. If the shower panels do not extend to the ceiling, the trim should be cut so that the top of the trim is the same height as the panels it will be installed next to. If you require trim longer than 36" or 60", it should be ordered in separate pieces and will have to be seamed when installed to reach lengths of longer than 36" or 60". This trim is designed to fit snug against the tub/shower enclosure. The panel system should stop flush with the edge of the tub/shower base. If not, the trim will need to be notched to fit tight against the panel, to avoid an unnecessarily large caulk joint between the panel and the trim.

Required Tools:

- Circular saw with a masonry blade.
- Measuring tape .
- Pencil.
- Speed square or framing square
- 100% silicone for marble to marble seams (color matched for the marble), if necessary.
- Latex caulk for marble to drywall seams.
- Clean, dry cloths to clean trim and wipe caulking.
- Construction adhesive for adhering trim to the wall
- Hot melt glue gun and glue sticks.

Installation Instructions:

1. Measure the height of the area where the trim is to be installed. You may need to notch the trim around the base tile, if it is already set.
2. Cut the trim to fit. Sand the cut edges of the trim with 80 grit sandpaper to avoid cutting hands during installation and while caulking the trim.
3. Apply construction adhesive to the back of the trim and install the threshold. Note: you may want to use a small amount of hot melt glue to help hold the trim in place until the adhesive has time to set.
4. Caulk with appropriate color latex or acrylic caulk around the edges of trim, where marble meets drywall or painted or wallpapered walls. Use 100% silicone, color matched to match the marble on marble to marble and marble to tub/shower base seams.

Important: Read these instruction before starting installation

- These installation instructions have been written for Shower Walls Corner Mount Soap dish cast marble, corner mount soap dish.
- In preparation, before installing the soap dish, you will need to have completed the installation of the panel system and sealed the seams of the shower panels behind where the soap dish is to be installed with 100% silicone.
- Two types of adhesive are needed to install the soap dish because they serve different purposes. The hot melt glue bonds immediately, but will not hold the soap dish for more than a few days. The silicone takes a few hours to cure, but after curing, they will secure the soap dish indefinitely.

Tools and Materials Required:

- Torpedo Level
- Silicone 100% and caulk gun
- Hot melt glue and hot melt glue gun.
- Acetone
- Pencil

Installing the cast marble corner mount soap dish:

1. First you will need to determine the location of the shampoo shelf. Once determined make a mark with your pencil on the panel. This will be the height to the top of the shampoo shelf.
2. After determining the correct height for the shelf, use the acetone to thoroughly clean the back of the shampoo shelf and the wall where it is to be installed.
3. Using the torpedo level, lightly make a level line to the corner, going onto the adjacent wall with the mark.
4. Apply silicone to the cleaned back of the soap dish. Only a small "dab" of silicone is necessary. Place the silicone toward the outer edges. Apply a small amount of hot melt glue in the middle of the back of the soap dish. It is important that the two different adhesives do not mix, because they do not work well together when mixed. Once the hot melt glue has been applied, the soap dish needs to be installed immediately. Otherwise, the hot melt glue will cool. If that happens, scrape the hot melt glue off and reapply.
5. Any excess silicone and hot melt glue can be cleaned up after installation. The earlier it is cleaned, the easier it is to remove. Also, using a clean cloth rag and acetone, clean the pencil lines from the panel.

Please use acetone only. Denatured alcohol or other water-based cleaners are not acceptable. If you do not have acetone, wiping with a clean, dry rag is an acceptable alternative.

- For regular cleaning use only mild detergents or warm soapy water applied with a soft cloth
- Always rinse surface after cleaning and dry by blotting with a damp cloth or chamois
- Do not use scouring pads, gritty cloths or cleaners that are not recommended. Cleaners not listed are either not approved or are untested. Please choose an approved cleaner from the list
- If you have any questions, please call Ella's Bubbles customer service at (800) 480-6850



Cultured Marble Shower Wall Surround & Base Limited Lifetime Warranty

Ella's Bubbles (EB) warranty to the original purchaser or primary owner of its products are as follows:

This limited lifetime warranty is extended to the first purchaser to be free from defects in workmanship and material under normal use and conditions from the date of the original purchase. This warranty is nontransferable and applies only to the original owner and to the original installation place/address.

The finish warranty does not apply to fading, cracking, delaminating or blistering due to excessive wear, sun fading or scouring due to cleaning. This warranty shall not apply to any failure resulting from negligence, abuse, misuse, misapplication, alteration, modification or improper maintenance.

Should service be required for any reason of any defect or malfunction of the product, Ella's Bubbles will ship the part to the original customer's address without charge (subject to verification of the defect or malfunction). This warranty does not cover shipping damages. Ella's Bubbles will not be liable for any incidental expenses or material charges in connection with removal or replacement of the product or parts. Delivery time is based on parts availability and location. Emailed, texted or mailed photos/proof of defective product and description of the problem is required.

The Manufacturer will not be responsible for any water damage to structures or property for any reason including but not limited to manufacturer defect or improper installation. Manufacturer will assume no responsibility for the loss of the system, inconvenience due to loss, damage to real or personal property or any other consequential damage. Manufacturer will not be liable for any incidental expenses or material charges in connection with removal or replacement of the purchased part or any part or parts of the system. This warranty shall not apply to any type of failure resulting from negligence, abuse, misuse, misapplication, improper installation, alteration or modification, chemical corrosion or improper maintenance. Ella's Bubbles reserves the sole authority to make any type of warranties or representations concerning its products and will not be responsible for any warranties or representations made by any outside source including dealers, retailers, distributors or contractors. Ella's Bubbles does not warrant the installation or replacement of any of our products/parts.

TO THE EXTENT PERMITTED BY LAW, ALL IMPLIED WARRANTIES INCLUDING THOSE OF MERCHANTABILITY AND FITNESS FOR A PARTICULAR PURPOSE ARE HEREBY DISCLAIMED.

Ella's Bubbles and seller hereby disclaim any liability for special, incidental, or consequential damages. Some states/provinces do not allow limitations on how long an implied warranty lasts, or the exclusion or limitation of special, incidental or consequential damages, so these limitations and exclusions may not apply to you. This warranty gives you specific legal rights. You may have other rights, which vary from state/province to state/province.