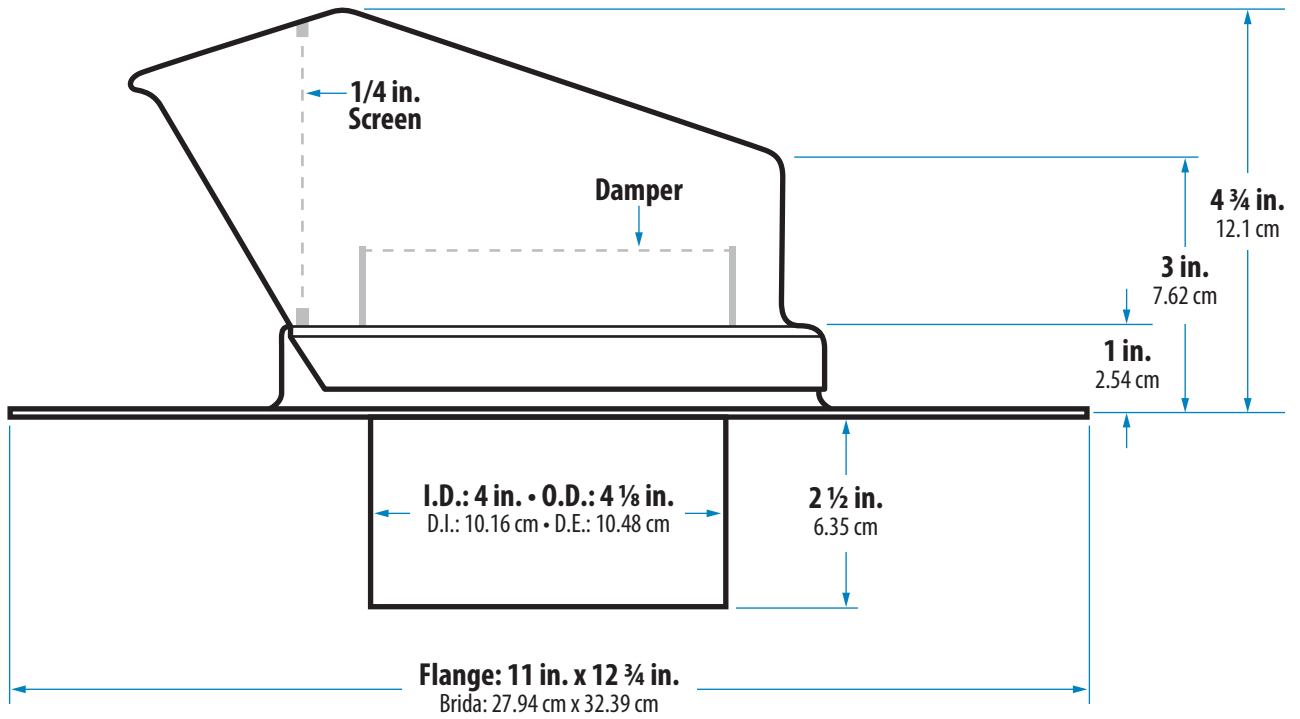


Polyethylene • 4 in. Diameter • N.F.A.: 12.56 sq. in.



Black