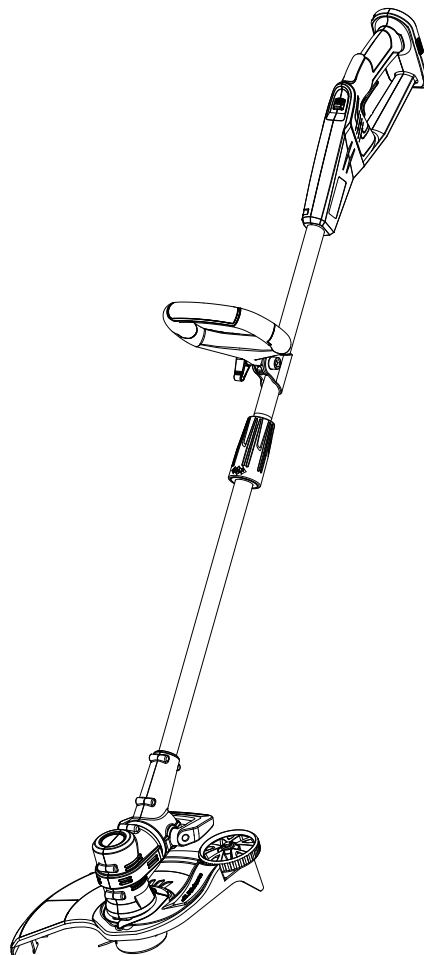


REPAIR SHEET

BRAND RYOBI		DESCRIPTION 18 Volt String Trimmer/Edger
MODEL NO. P2008 P2008VNM	MFG. NO. 107268001 107268101	

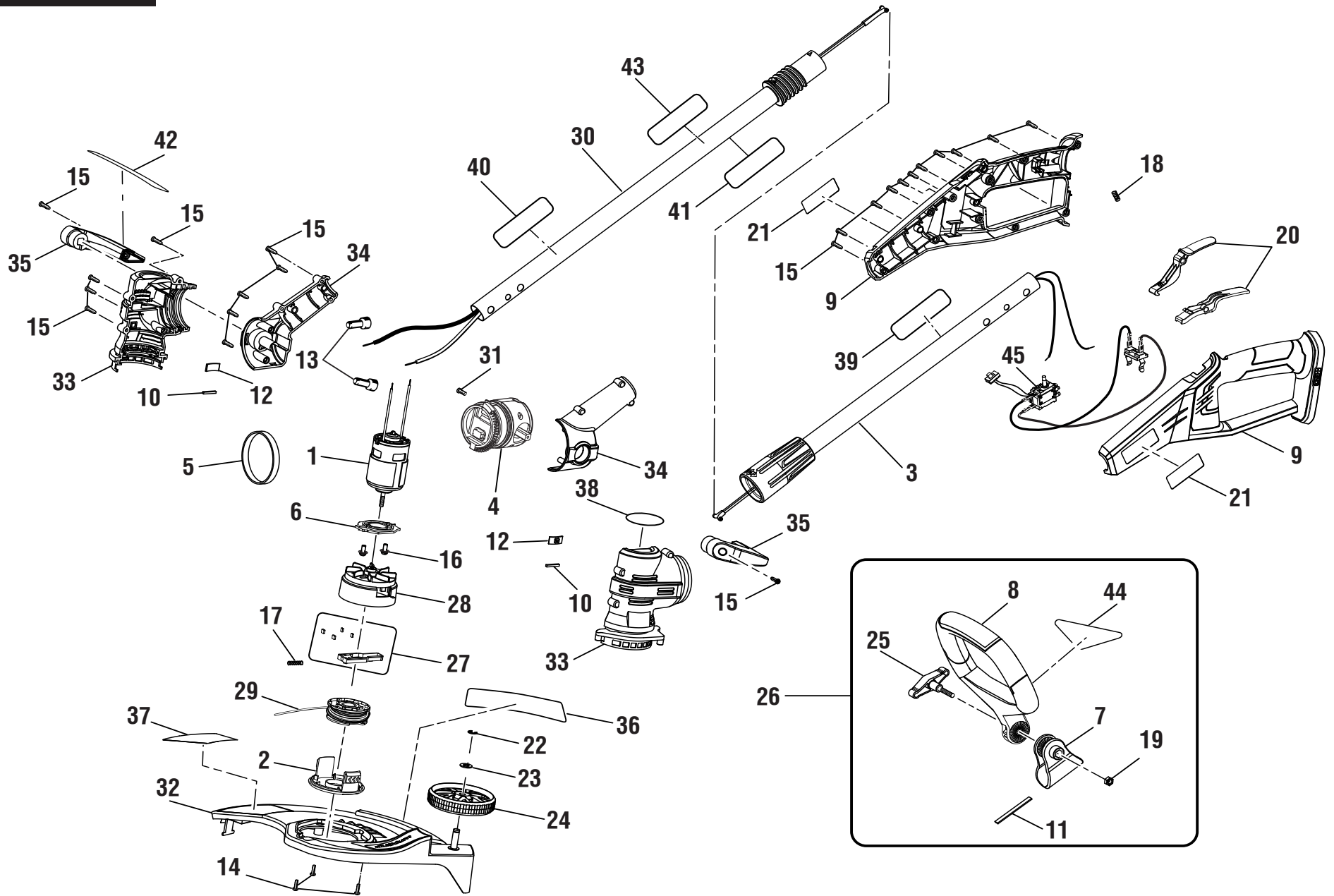


TTI OUTDOOR POWER EQUIPMENT, INC.

P.O. Box 1288, Anderson, SC 29622 ■ 1-800-525-2579 ■ www.ryobitools.com

2-14-22 (Rev:08)

The model number and manufacturing location will be found on a label attached to the product. Always mention this information in all communications regarding this product and when ordering parts.





P2008/P2008VNM

PARTS LIST

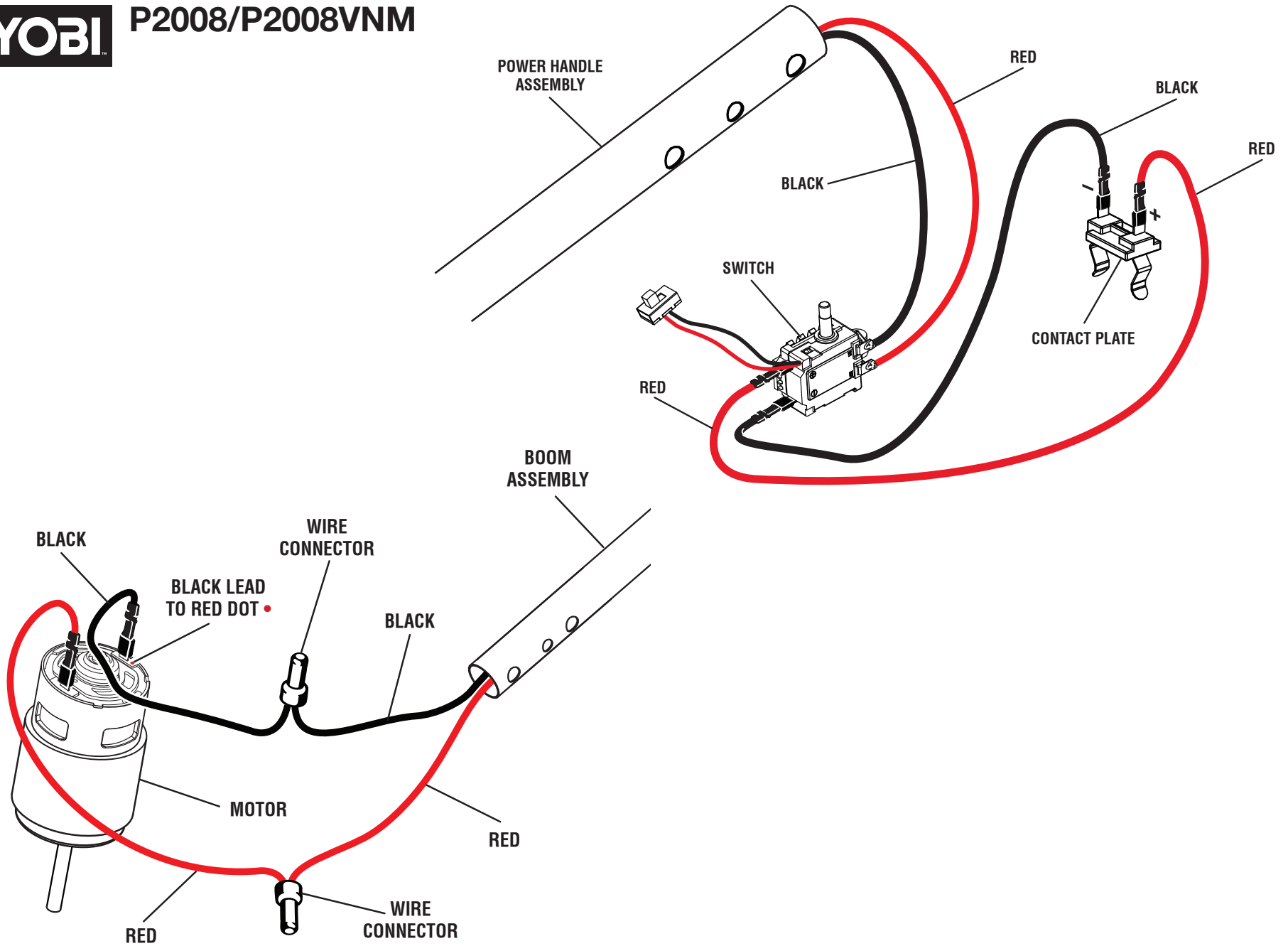
KEY NO.	PART NO.	DESCRIPTION	QTY.
1	742199001	Motor	1
2	***	Spool Cap (Item No. AC14HCA)	1
3	311746001	Upper Tube and Wire Assembly (Inc. Key No. 39, P2008)	1
	205332001	Upper Tube and Wire Assembly (Inc. Key No. 39, P2008VNM)	1
4	351109001	Pivot Assembly	1
5	522923001	Plastic Ring	1
6	522926001	Motor Mounting Plate	1
7	522984001	Handle Bracket	1
8	351119001	Front Handle (Inc. Key No. 44)	1
9	351113001	Handle Housing Assembly (Inc. Key No. 21)	1
10	562079003	Rubber Plate (Motor Plate)	2
11	570112001	Rubber Plate (Handle Bracket)	1
12	570815001	Rubber Plate (Motor)	2
13	790009004	Wire Connector	2
14	660208055	Screw (M4 x 12 mm, Pan Hd.)	3
15	661817001	Screw (M4 x 14 mm, T14 Torx Pan Hd.)	23
16	660502002	Screw w/Washer (M5 x 11 mm)	2
17	679034001	Compression Spring (Internal Tooth)	1
18	679973001	Compression Spring (Trigger)	1
19	680196006	Hex Nut (M6)	1
20	351183001	Switch Trigger and Lock-off Trigger	1
21	940705308	Logo Label	2
22	679933001	E-Ring	1
23	678587002	Washer (OD16 x ID8.2 x 1.2t)	1
24	522929001	Roller	1

KEY NO.	PART NO.	DESCRIPTION	QTY.
25	522983001	Knob Bolt (M6 x 1 in.)	1
26	351182001	Auxiliary Handle Assembly (Inc. Key Nos. 7-8, 11, 19, 25 & 44)	1
27	310920001	Slider Assembly	1
28	524851002	Spool Base w/Fan	1
29	***	Spool w/Line Assembly (Item No. AC14RL3)	1
30	311747001	Lower Tube Assembly (Inc. Key Nos. 40-41 & 43)	1
31	660004019	Screw (M3 x 12 mm, Pan Hd.)	1
32	351122001	Guard Assembly (Inc. Key Nos. 36-37)	1
33	351112001	Motor Housing Assembly (Inc. Key No. 38)	1
34	351110001	Lower Housing Assembly	1
35	351106001	Adjustment Pedal Assembly	1
36	941263203	Auto Feed No Bump Label (Guard)	1
37	940851103	Adjustable Cutting Width Label	1
38	940705309	Motor Housing Label	1
39	941588104	Data Label (P2008)	1
	941588563	Data Label (P2008VNM)	1
40	940705310	Ryobi 18 V Lithium Label	1
41	940851101	Warning Translation Label	1
42	941773001	Step For Edging Label	1
43	940657185	Warning Icon Label	1
44	940851105	Auto Feed No Bump Label (Handle)	1
45	311895001	Switch and Contact Plate Assembly	1
	Not Shown:		
	311181001	Flail Blade Cap Accessory (Item No. ACFHRL2)	
	991000677	Operator's Manual	

** Standard Hardware Item – May Be Purchased Locally*



P2008/P2008VNM



WIRING DIAGRAM