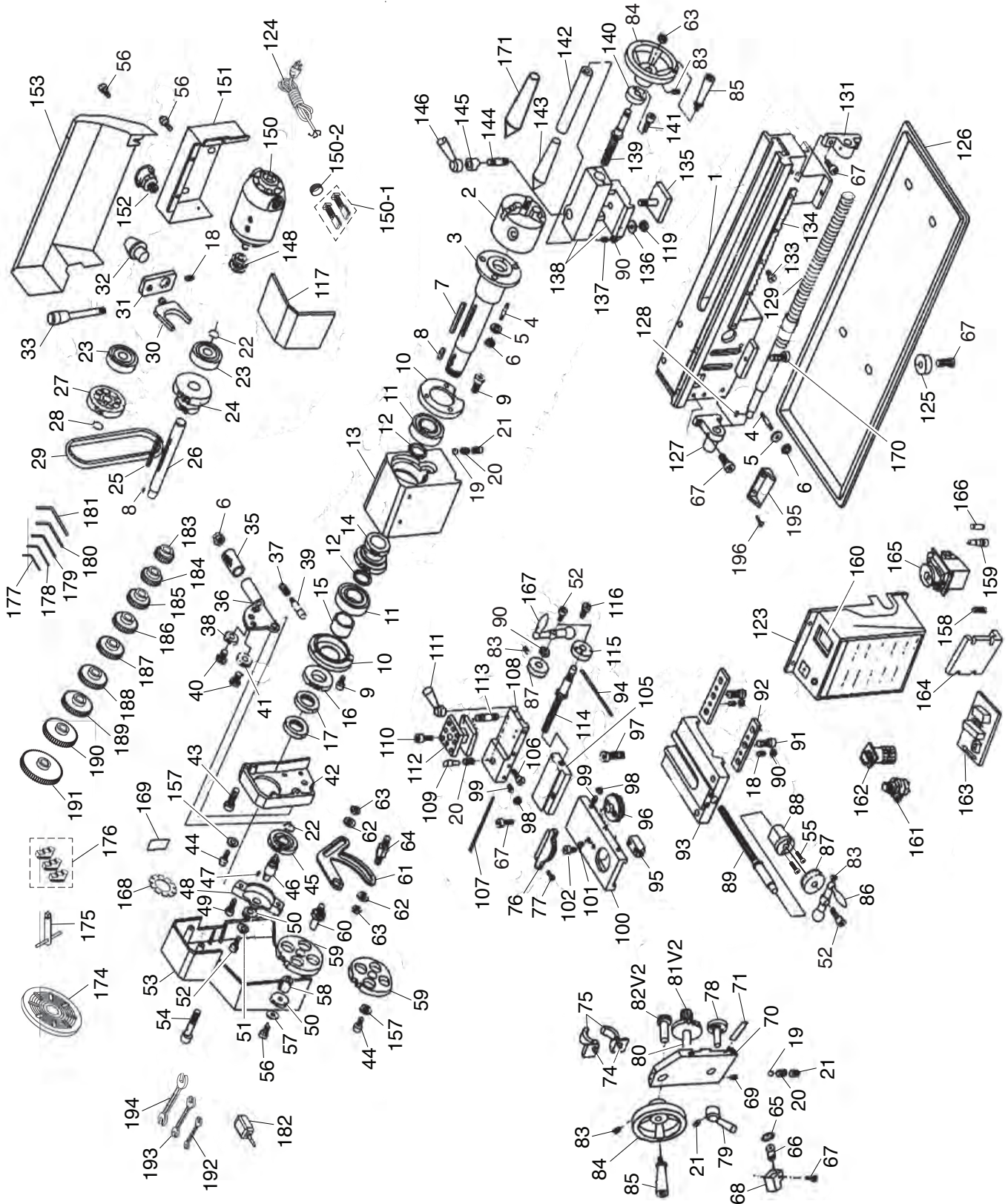


SECTION 9: PARTS

Main



Main

REF	PART #	DESCRIPTION
1	P0765001	BED
2	P0765002	3-JAW CHUCK 3" W/INTERNAL JAWS
3	P0765003	SPINDLE MT#3
4	P0765004	STUD-DE M6-1 X 60, 15
5	P0765005	FLAT WASHER 6MM
6	P0765006	HEX NUT M6-1
7	P0765007	KEY 5 X 5 X 40
8	P0765008	KEY 4 X 4 X 8
9	P0765009	CAP SCREW M5-.8 X 10
10	P0765010	BEARING COVER
11	P0765011	BALL BEARING 6206ZZ
12	P0765012	SPACER
13	P0765013	HEADSTOCK CASTING
14	P0765014	COMBO GEAR 21T/29T
15	P0765015	SPACER
16	P0765016	GEAR 45T
17	P0765017	SPANNER NUT
18	P0765018	SET SCREW M5-.8 X 8
19	P0765019	STEEL BALL 5MM
20	P0765020	COMPRESSION SPRING 4 X 9
21	P0765021	SET SCREW M6-1 X 6
22	P0765022	EXT RETAINING RING 12MM
23	P0765023	BALL BEARING 6201ZZ
24	P0765024	COMBO GEAR 12T/20T
25	P0765025	KEY 4 X 4 X 45
26	P0765026	H/L SHAFT
27	P0765027	SPINDLE PULLEY
28	P0765028	EXT RETAINING RING 10MM
29	P0765029	TIMING BELT 1.5M-70-9.5
30	P0765030	SHIFTING FORK
31	P0765031	SHIFTING ARM
32	P0765032	H/L LEVER HUB
33	P0765033	H/L LEVER M8-1.25 X 10
35	P0765035	HANDLE
36	P0765036	HANDLE MOUNT
37	P0765037	COMPRESSION SPRING
38	P0765038	PINION GEAR 25T
39	P0765039	INDICATOR
40	P0765040	GEAR SHOULDER BOLT M8-1.25 X 5
41	P0765041	PINION GEAR 20T
42	P0765042	HEADSTOCK SIDE COVER
43	P0765043	CAP SCREW M6-1 X 20
44	P0765044	CAP SCREW M5-.8 X 10
45	P0765045	GEAR 45T
46	P0765046	SHAFT
47	P0765047	KEY 4 X 4 X 8
48	P0765048	GEAR MOUNT
49	P0765049	CAP SCREW M5-.8 X 15
50	P0765050	PINION GEAR 20T
51	P0765051	FLAT WASHER 5MM
52	P0765052	CAP SCREW M5-.8 X 10
53	P0765053	END GEAR COVER
54	P0765054	CAP SCREW M5-.8 X 40
55	P0765055	CAP SCREW M4-.7 X 12

REF	PART #	DESCRIPTION
56	P0765056	CAP SCREW M6-1 X 6
57	P0765057	FLAT WASHER 6MM
58	P0765058	BUSHING W/KEYWAY
59	P0765059	GEAR 80T
60	P0765060	SHAFT
61	P0765061	PIVOT ARM
62	P0765062	FLAT WASHER 8MM
63	P0765063	HEX NUT M8-1.25
64	P0765064	SHAFT
65	P0765065	THREAD DIAL
66	P0765066	GEAR SHAFT 16T
67	P0765067	CAP SCREW M6-1 X 16
68	P0765068	THREAD DIAL BODY
69	P0765069	SET SCREW M4-.7 X 10
70	P0765070	APRON
71	P0765071	HALF NUT GIB
74	P0765074	HALF NUT SHAFT
75	P0765075	HALF NUT 2-PC SET
76	P0765076	COMPOUND REST ANGLE SCALE
77	P0765077	FLAT HD SCR M4-.7 X 10
78	P0765078	CAM
79	P0765079	HALF NUT LEVER
80	P0765080	SHAFT
81V2	P0765081V2	COMBO GEAR 11T/49T V2.05.15
82V2	P0765082V2	GEAR SHAFT 29T V2.05.15
83	P0765083	SET SCREW M6-1 X 12
84	P0765084	HANDWHEEL
85	P0765085	HANDWHEEL HANDLE M5-.8 X 6
86	P0765086	CROSS BALL HANDLE 2 PC.
87	P0765087	GRADUATED DIAL
88	P0765088	CROSS LEADSCREW BRACKET
89	P0765089	CROSS LEADSCREW
90	P0765090	HEX NUT M5-.8
91	P0765091	CAP SCREW M6-1 X 12
92	P0765092	SADDLE CLAMP PLATE
93	P0765093	SADDLE
94	P0765094	CROSS SLIDE GIB
95	P0765095	CROSS LEADSCREW NUT
96	P0765096	COMPOUND REST SWIVEL BASE
97	P0765097	CAP SCREW M8-1.25 X 20
98	P0765098	HEX NUT M4-.7
99	P0765099	SET SCREW M4-.7 X 16
100	P0765100	CROSS SLIDE
101	P0765101	SET SCREW M5-.8 X 10
102	P0765102	CAP SCREW M4-.7 X 10
105	P0765105	COMPOUND REST SLIDE BASE
106	P0765106	CAP SCREW M4-.7 X 14
107	P0765107	COMPOUND REST GIB
108	P0765108	COMPOUND REST
109	P0765109	INDENT PIN
110	P0765110	TOOL POST CAP SCREW M8-1.25 X 25
111	P0765111	TOOL POST LOCK LEVER
112	P0765112	TOOL POST BODY



Main

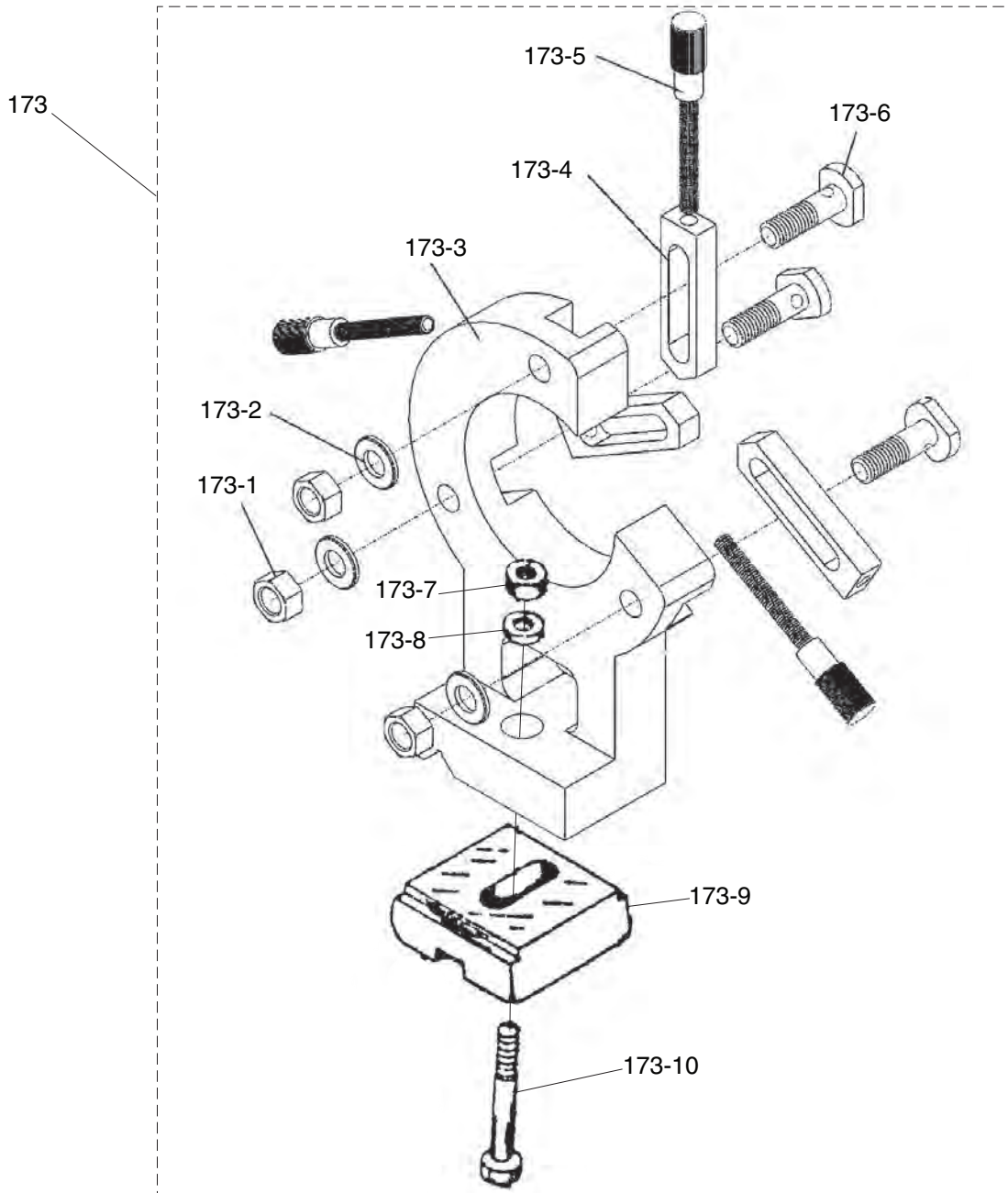
REF	PART #	DESCRIPTION
113	P0765113	STUD-DE M10-1.5 X 50, 15
114	P0765114	COMPOUND LEADSCREW
115	P0765115	COMPOUND LEADSCREW BRACKET
116	P0765116	CAP SCREW M4-.7 X 14
117	P0765117	MOTOR COVER (FRONT)
119	P0765119	HEX NUT M10-1.5
123	P0765123	ELECTRICAL CABINET
124	P0765124	POWER CORD 18G 3W 60" 5-15
125	P0765125	FOOT (RUBBER)
126	P0765126	CHIP TRAY
127	P0765127	LEADSCREW OUTBOARD BRACKET
128	P0765128	KEY 4 X 4 X 8
129	P0765129	LONGITUDINAL LEADSCREW 16TPI
131	P0765131	LEADSCREW END BRACKET
133	P0765133	CAP SCREW M3-.5 X 10
134	P0765134	RACK
135	P0765135	TAILSTOCK CLAMP PLATE
136	P0765136	FLAT WASHER 10MM
137	P0765137	SET SCREW M5-.8 X 16
138	P0765138	TAILSTOCK CASTING (UPPER/LOWER)
139	P0765139	TAILSTOCK LEADSCREW
140	P0765140	TAILSTOCK LEADSCREW BRACKET
141	P0765141	CAP SCREW M4-.7 X 10
142	P0765142	TAILSTOCK QUILL
143	P0765143	DEAD CENTER MT#2
144	P0765144	STUD-DE M8-1.25 X 60, 25
145	P0765145	CLAMP SLEEVE
146	P0765146	QUILL LOCK LEVER
148	P0765148	MOTOR PULLEY
150	P0765150	MOTOR 110VDC
150-1	P0765150-1	MOTOR CARBON BRUSH 2-PC SET
150-2	P0765150-2	CARBON BRUSH CAP
151	P0765151	MOTOR COVER (REAR)
152	P0765152	STRAIN RELIEF 3/4" NPT LT STRAIGHT
153	P0765153	SPLASH GUARD
157	P0765157	FLAT WASHER 5MM
158	P0765158	POWER LIGHT

REF	PART #	DESCRIPTION
159	P0765159	FUSE HOLDER
160	P0765160	SPINDLE SPEED DIGITAL READOUT 4WPLJ-2T
161	P0765161	POTENTIOMETER B4K7 4.7KOHM
162	P0765162	F/O/R ROTARY SWITCH TUV ZH-A
163	P0765163	CIRCUIT BOARD KSP W/ TRANSFORMER
164	P0765164	CIRCUIT BOARD JD-0410 W/ MOUNTING BRACKET
165	P0765165	E-STOP KEDU KJD17B/120V
166	P0765166	FUSE 10A 250V FAST-ACTING GLASS
167	P0765167	COMPOUND REST BALL HANDLE
168	P0765168	SPEED SENSOR WHEEL
169	P0765169	SPEED SENSOR H12A5
170	P0765170	CAP SCREW M8-1.25 X 25
171	P0765172	DEAD CENTER MT#3
174	P0765174	FACEPLATE 5"
175	P0765175	LATHE CHUCK KEY 3/8" STD
176	P0765176	EXTERNAL JAWS 3-PC SET
177	P0765177	HEX WRENCH 2.5MM
178	P0765178	HEX WRENCH 3MM
179	P0765179	HEX WRENCH 4MM
180	P0765180	HEX WRENCH 5MM
181	P0765181	HEX WRENCH 6MM
182	P0765182	BOTTLE FOR OIL
183	P0765183	GEAR 30T
184	P0765184	GEAR 35T
185	P0765185	GEAR 40T
186	P0765186	GEAR 45T
187	P0765187	GEAR 50T
188	P0765188	GEAR 55T
189	P0765189	GEAR 57T
190	P0765190	GEAR 57T
191	P0765191	GEAR 60T
192	P0765192	WRENCH 6 X 7MM OPEN-ENDS
193	P0765193	WRENCH 8 X 10MM OPEN-ENDS
194	P0765194	WRENCH 13 X 16MM OPEN-ENDS
195	P0765195	ELECTRICAL BARRIER
196	P0765196	PHLP HD SCR M5-.8 X 12

Please Note: We do our best to stock replacement parts whenever possible, but we cannot guarantee that all parts shown here are available for purchase. Call (800) 523-4777 or visit our online parts store at www.grizzly.com to check for availability.



Steady Rest

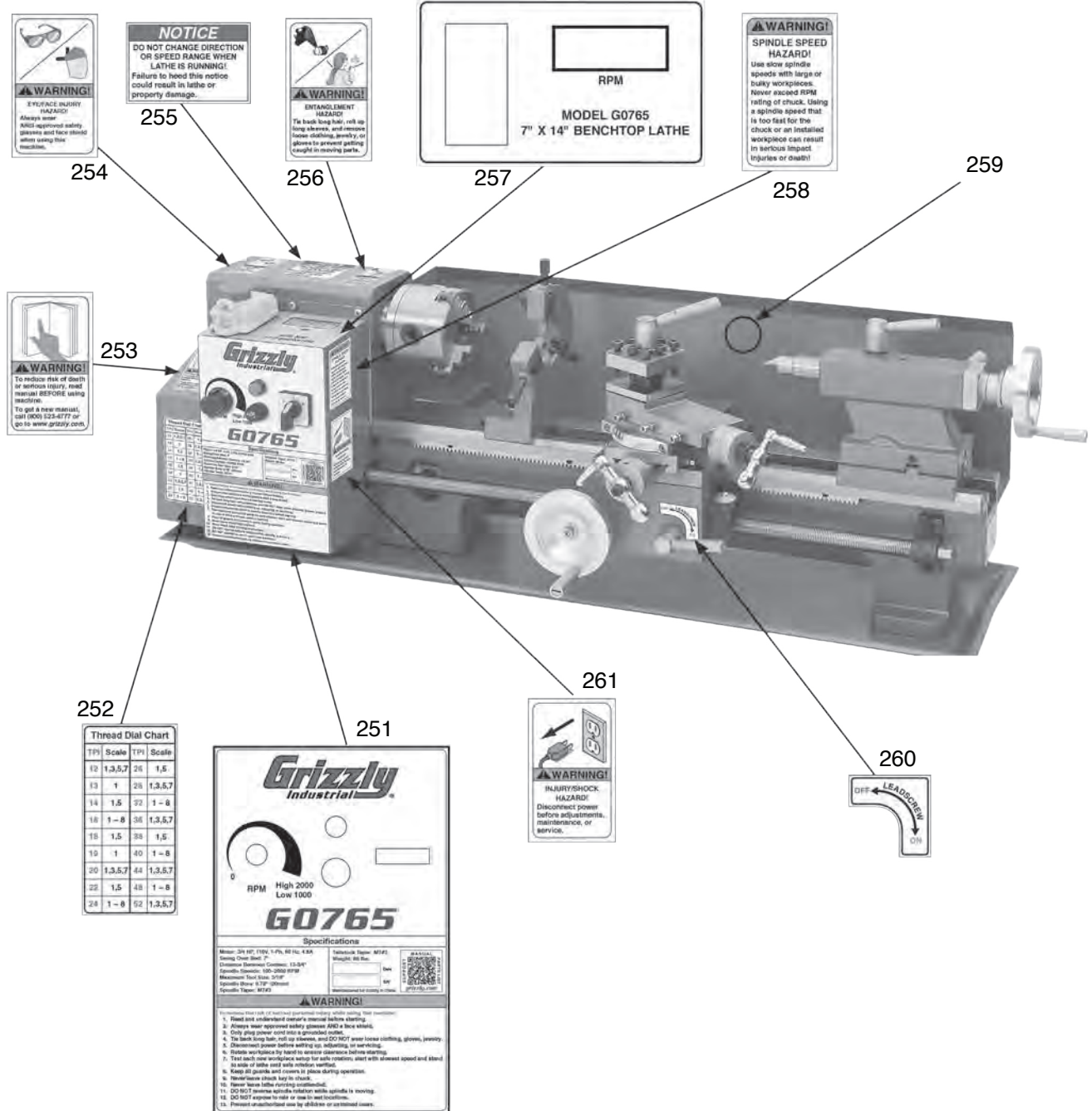


REF	PART #	DESCRIPTION
173	P0765173	STEADY REST ASSEMBLY
173-1	P0765173-1	HEX NUT M8-1.25
173-2	P0765173-2	LOCK WASHER 8MM
173-3	P0765173-3	STEADY REST CASTING
173-4	P0765173-4	STEADY REST FINGER
173-5	P0765173-5	ADJUSTING SCREW

REF	PART #	DESCRIPTION
173-6	P0765173-6	T-BOLT M8-1.25 X 26
173-7	P0765173-7	HEX NUT M8-1.25
173-8	P0765173-8	FLAT WASHER 8MM
173-9	P0765173-9	BASE CLAMP
173-10	P0765173-10	HEX BOLT M8-1.25 X 45



Labels & Cosmetics (Front)

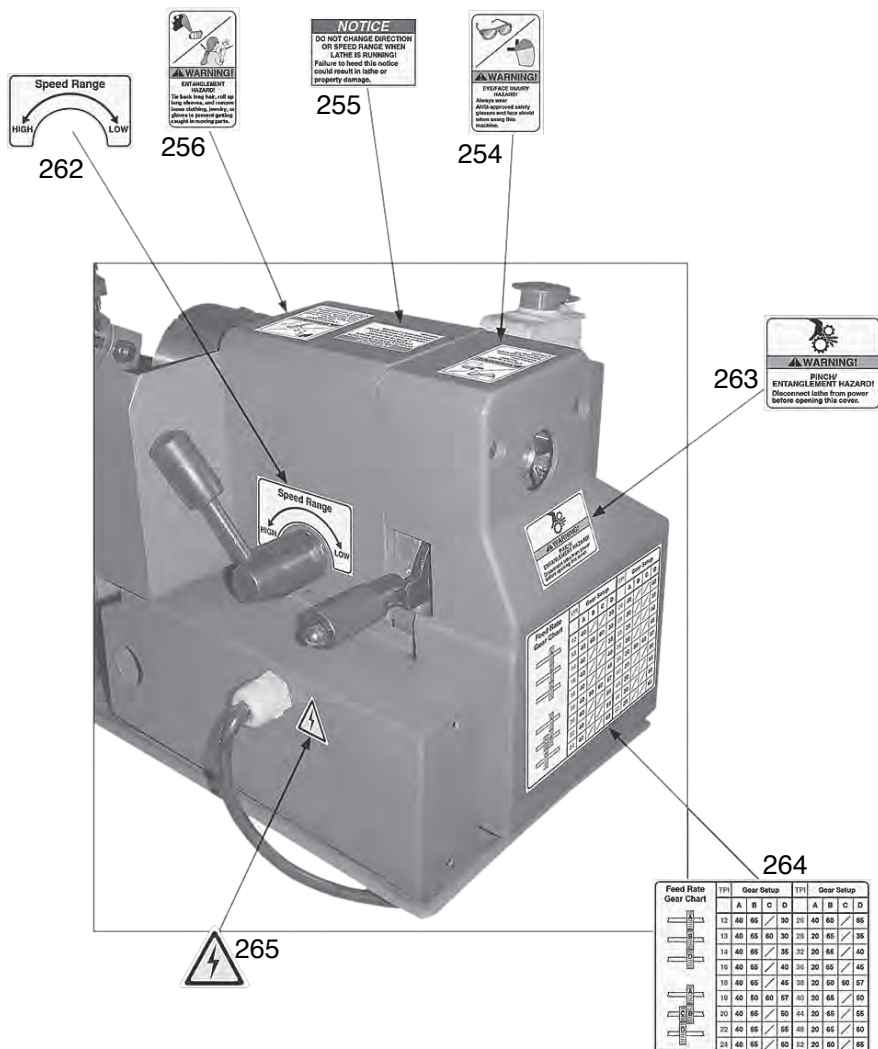


REF	PART #	DESCRIPTION
251	P0765251	MACHINE ID LABEL
252	P0765252	THREAD DIAL CHART LABEL
253	P0765253	READ MANUAL LABEL
254	P0765254	GLASSES/FACE SHIELD WARNING LABEL
255	P0765255	CHANGE DIRECTION NOTICE LABEL
256	P0765256	ENTANGLEMENT WARNING LABEL

REF	PART #	DESCRIPTION
257	P0765257	DRO LABEL
258	P0765258	SPINDLE SPEED WARNING LABEL
259	P0765259	GRIZZLY GREEN TOUCH-UP PAINT
260	P0765260	HALF NUT LEVER LABEL
261	P0765261	DISCONNECT POWER WARNING LABEL



Labels & Cosmetics (Rear)



REF	PART #	DESCRIPTION
254	P0765254	GLASSES/FACE SHIELD WARNING LABEL
255	P0765255	CHANGE DIRECTION NOTICE LABEL
256	P0765256	ENTANGLEMENT WARNING LABEL
262	P0765262	SPEED RANGE LABEL

REF	PART #	DESCRIPTION
263	P0765263	OUTBOARD ENTANGLE WARNING LABEL
264	P0765264	THREAD CHART LABEL
265	P0765265	ELECTRICITY LABEL

⚠ WARNING

Safety labels help reduce the risk of serious injury caused by machine hazards. If any label comes off or becomes unreadable, the owner of this machine **MUST** replace it in the original location before resuming operations. For replacements, contact (800) 523-4777 or www.grizzly.com.

