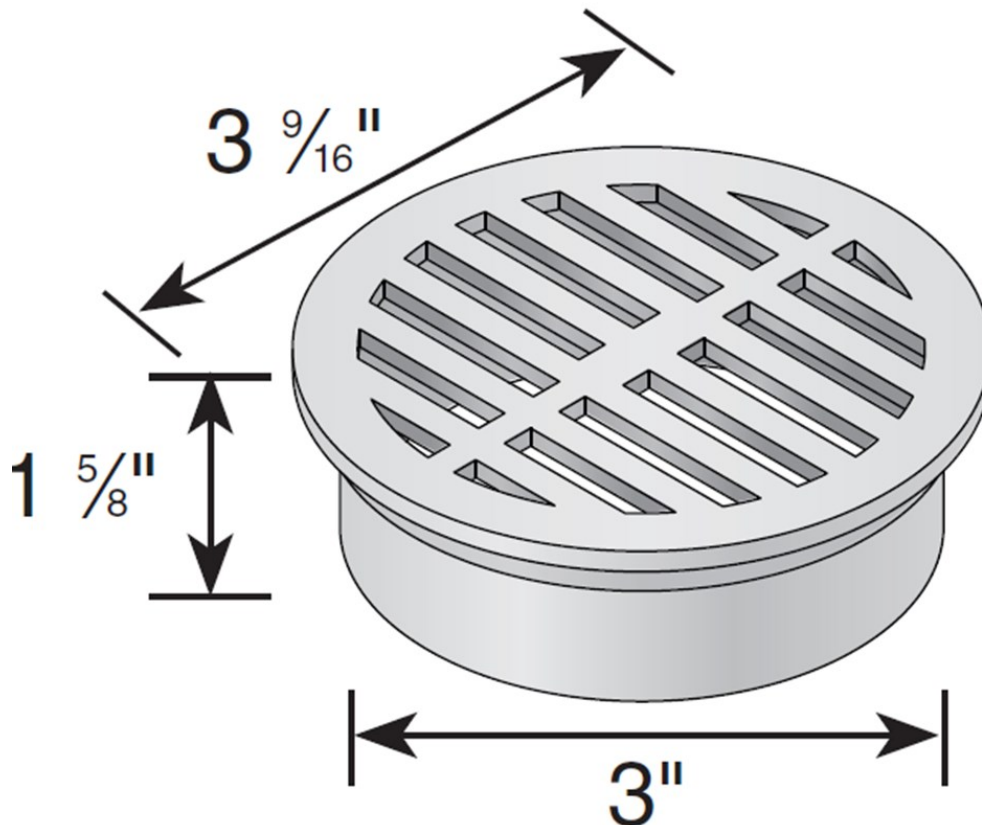


## 3" Round Grate



Part #: 14,15,16,&16S  
 Material: (HDP) High Density Polypropylene  
 Color: #14(Black), #15(Gray), #16(Green), & #16S(Sand)  
 Fits: 3" sewer and drain pipe & fittings,  
 3" corrugated and triple wall pipe.  
 Grate Opening: 3/16"  
 Open Surface Area: 2.60 Sq. Inches  
 Head Pressure / Flow Rate:  
Head ( inches) - Max Flow  
 1" = 11.25 GPM  
 0.5" = 7.95 GPM  
 Weigh Per Each: 0.13 lbs.

### Load Recommendation Guide



#### Class A

- Loads of 1-60 psi.
- Recommended for pedestrians, bicycles and wheel chair traffic.

ADA Compliant/Heel-proof

