

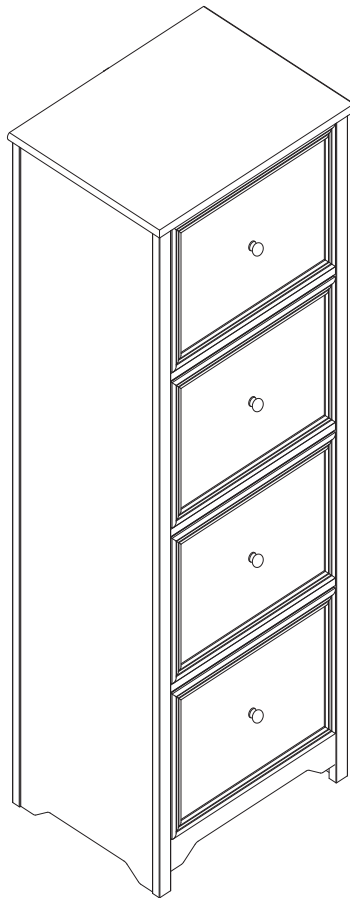
HOME
DECORATORS
COLLECTION®

Item # 1005562028
Model # JS-3422-C

Item # 1005559941
Model # JS-3422-A
Item # 1005562007
Model # JS-3422-B

USE AND CARE GUIDE

BRADSTONE 4 DRAWER FILE CABINET



Questions, problems, missing parts? Before returning to the store,
call Home Decorators Collection Customer Service.
8 a.m. – 7 p.m., EST, Monday – Friday, 9 a.m. – 6 p.m., EST, Saturday

1-800-986-3460

HOMEDEPOT.COM/HOMEDECORATORS

THANK YOU

We appreciate the trust and confidence you have placed in Home Decorators Collection through the purchase of this Bradstone 4 Drawer File Cabinet. We strive to continually create quality products designed to enhance your home. Visit us online to see our full line of products available for your home improvement needs. Thank you for choosing Home Decorators Collection!

Table of Contents

Table of Contents.....	2	Pre-assembly (continued).....	4
Safety Information.....	2	Package Contents.....	4
Pre-assembly.....	3	Notification.....	5
Planning Assembly.....	3	Assembly.....	6-13
Tools Required.....	3	Maintenance.....	14
Hardware Included.....	3	Care and Cleaning.....	14
		Troubleshooting.....	14

Safety Information



DANGER

- Keep small parts away from children during assembly.
- Read and follow instructions carefully.



WARNING

- Read these instructions carefully and keep in a safe place.
- TO GUARANTEE THE SAFE USE OF THIS PRODUCT, FOLLOW THE WARNINGS, GUIDELINES AND RECOMMENDATIONS IN THIS MANUAL.
- Adult assembly required.
- Small parts may present choking hazard prior to assembly.
- Do not stand, step or climb on unit.



CAUTION

- Do not use power tools to assemble your item.
- Power tools may strip or damage parts/product.
- Do not over tighten connectors (screws, bolts, etc.) Overtightening can lead to product damage.
- Be sure to check all packing materials carefully for small parts that may have come loose inside the carton during shipment. If parts are missing, contact THE HOME DEPOT to obtain any missing parts.
- DO NOT USE SUBSTITUTE PARTS.
- This product should only be used on a flat, level surface.
- Assembly requires 2 people; assembly alone may cause injury.

Warranty

3 YEARS WARRANTY

WHAT IS COVERED

We guarantee this product to be free of manufacturing defects to the original purchaser for three years.

WHAT IS NOT COVERED

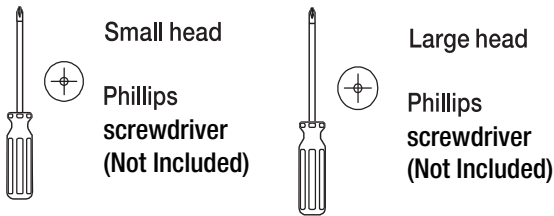
This warranty does not cover commercial use, acts of nature, and abusive use.

Pre-assembly

PLANNING ASSEMBLY

Keep children and pets away from build area. Make sure your area is large enough to unpack, sort and assemble the unit.

TOOLS REQUIRED



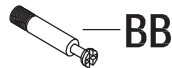
HARDWARE INCLUDED



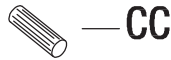
NOTE: Hardware not shown to actual size.



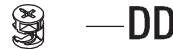
—AA



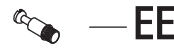
—BB



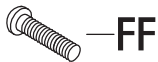
—CC



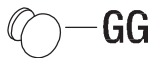
—DD



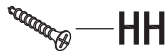
—EE



—FF



—GG



—HH



—II



(1)X2



(2)X1



(3)X1



(4)X1



(5)X1

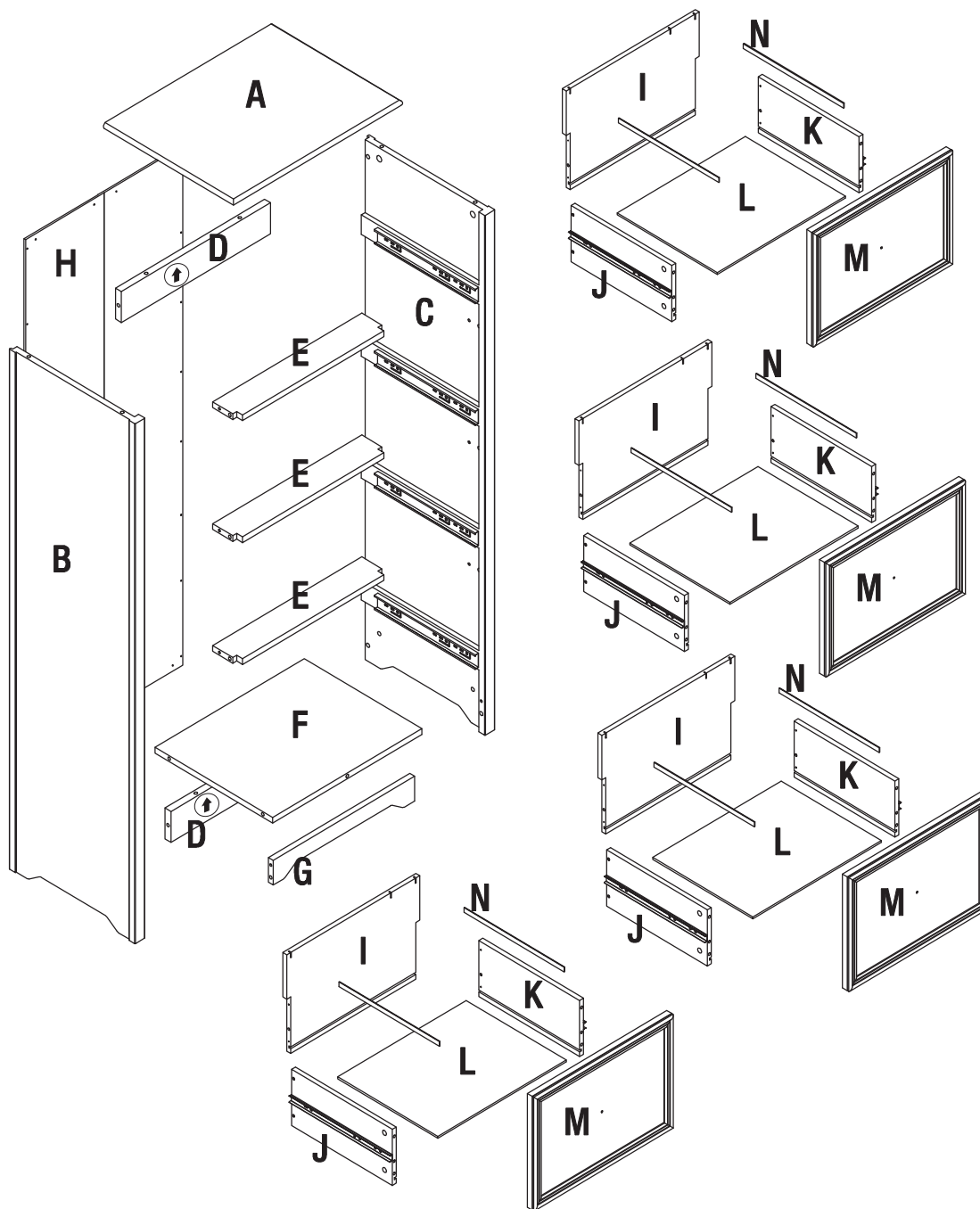
—JJ

Part	Description	Quantity
AA	Big cam lock	25+2
BB	Big cam lock bolt	25+2
CC	Wood dowel	24+2
DD	Small cam lock	16+2
EE	Small cam lock bolt	16+2
FF	Cross round head bolt	4
GG	Handle	4

Part	Description	Quantity
HH	Flat head screw	16+2
II	Round head screw	24+2
JJ	Anti-tipping hardware package	1

Pre-assembly(continued)

PACKAGE CONTENTS

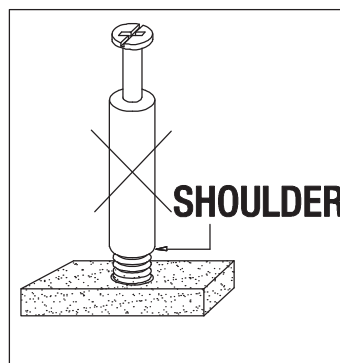
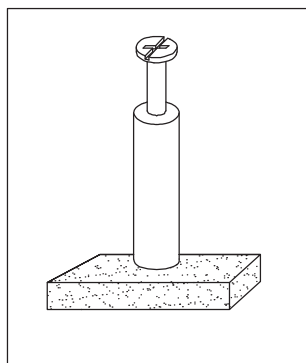


Part	Description	Quantity
A	Top panel	1
B	Left side panel	1
C	Right side panel	1
D	Back cross brace	2
E	Front cross brace	3
F	Bottom panel	1
G	Front cross brace at bottom	1

Part	Description	Quantity
H	Back panel	1
I	Drawer back panel	4
J	Drawer left side panel	4
K	Drawer right side panel	4
L	Drawer bottom panel	4
M	Drawer front panel	4
N	Metal bar	8

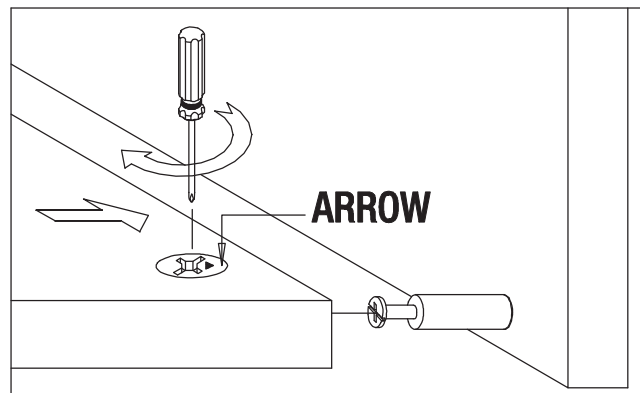
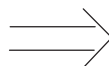
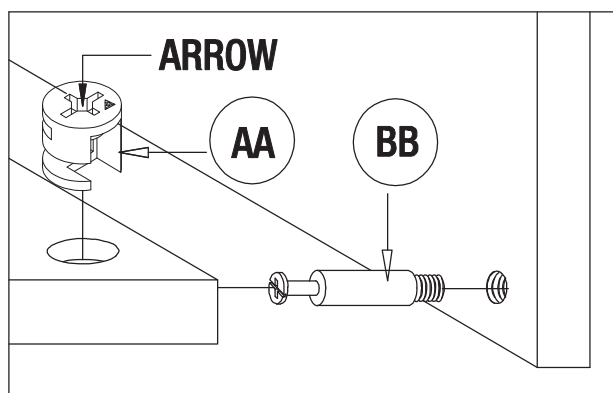
Notification

NOTE: UPON OPENING THOROUGHLY CLEAN ALL WOODS SURFACES TO REMOVE DUST AND DIRT THAT MAY HAVE SETTLED ONTO FINISH DURING SHIPMENT. IN ORDER TO PREVENT DAMAGE DURING ASSEMBLY, PLEASE ASSEMBLE THIS ITEM WITH AT LEAST TWO PEOPLE.



NOTE: TURN THE CAM-BOLT SCREWS UNTIL THEY ARE TIGHT, THE SHOULDER SHOULD BE AGAINST THE SURFACE OF THE PART.

HOW TO USE THE CAM TOOL

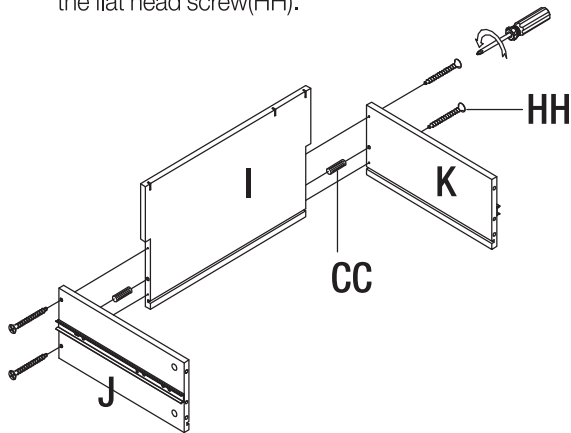


● **NOTE: THE ARROWS ON THE HIDDEN CAM-LOCKS SHOULD POINT TO THE CAM-BOLTS.**

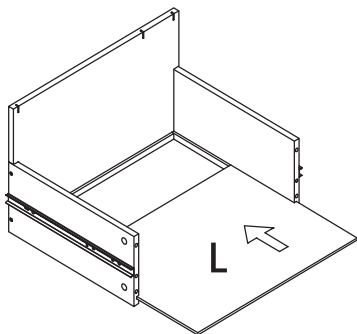
Assembly

1 Assemble drawers

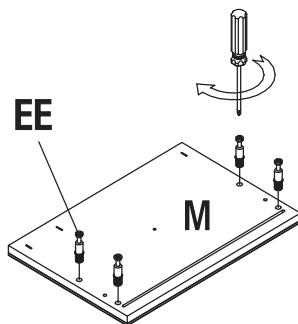
- a) Insert wood dowel(CC) into panel(I), then assemble panel(I) and panel(J&K) by rotating the flat head screw(HH).



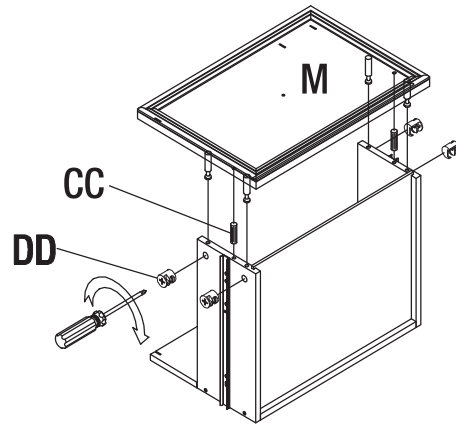
- b) Insert the panel(L) into the slot correctly.



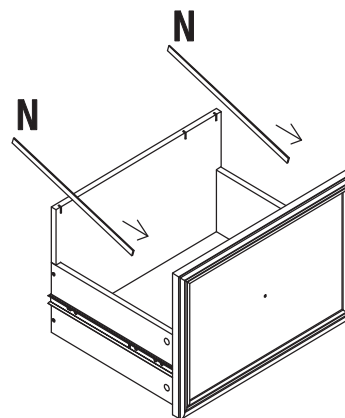
- c) Insert bolt(EE) into panel(M).



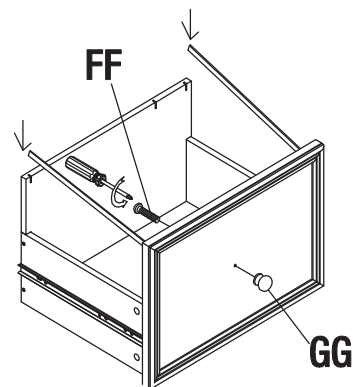
- d) Insert wood dowel(CC) into panel(J&K), then rotate the cam lock(DD) tight to assemble panel(J&K) and panel(M).



- e) Install the metal bar(N)



- f) Assemble the handle(GG) by rotating cross round head bolt(FF)



Small
cam lock
(DD)x16



Small cam
lock bolt
(EE)x16



Wood dowel
(CC)x16



cross round
head bolt
(FF)x4



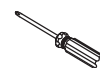
Handle
(GG)x4



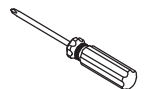
Flat head screw
(HH)x16



Small head



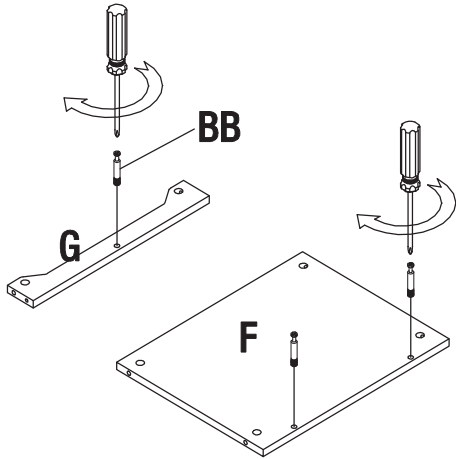
Large head



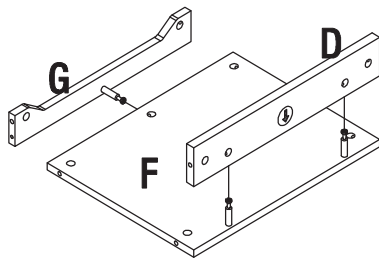
Assembly

2 Assemble bottom base(D,F,G)

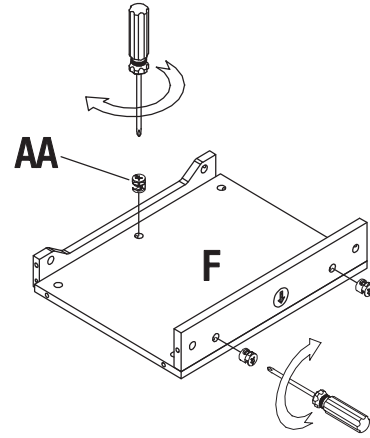
- a) Insert and rotate the bolt(BB) into the panel(G) and panel(F)



- b) Assemble the panel(G) and panel(D) with panel(F)



- c) Insert and rotate cam lock(AA) to assemble panel(G), panel(D) and panel(F)



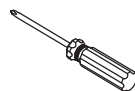
Big cam lock Big cam lock bolt

(AA)x3

(BB)x3

Small head

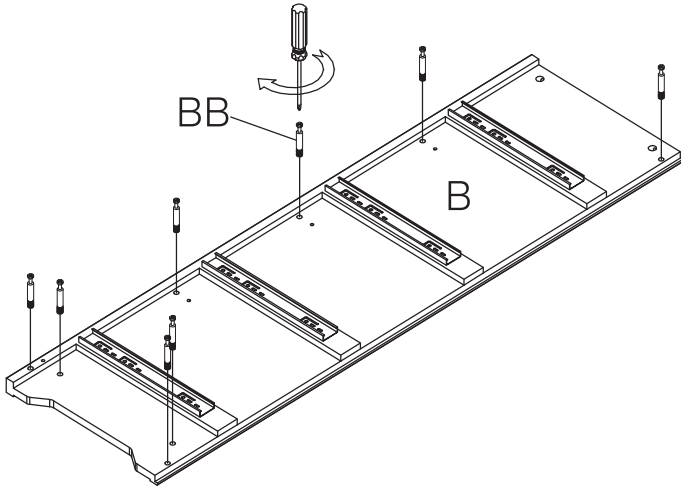
Large head



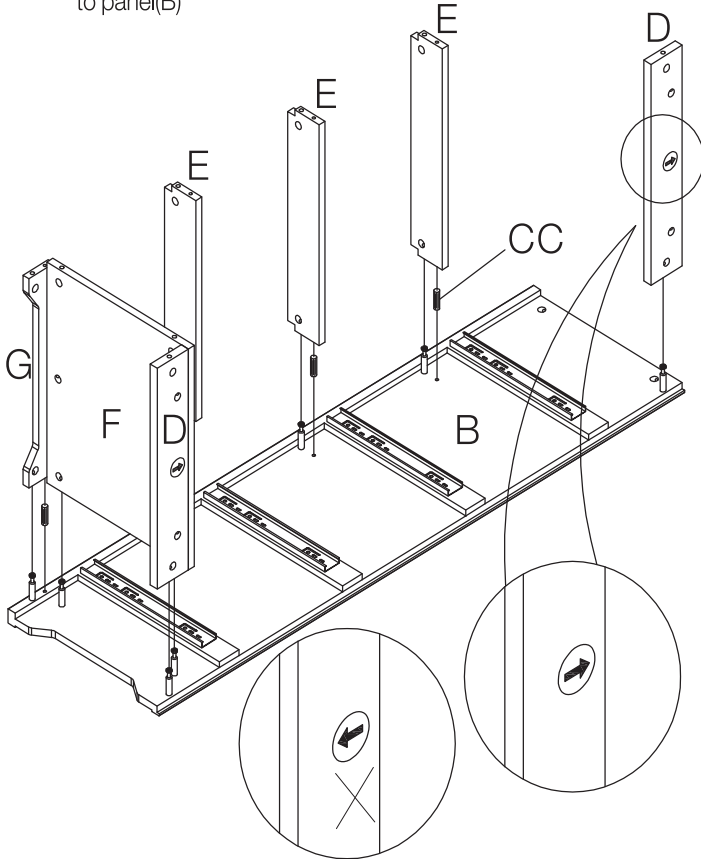
Assembly

3 Assemble panel(B), panel(D&E) and bottom base(D,F,G)

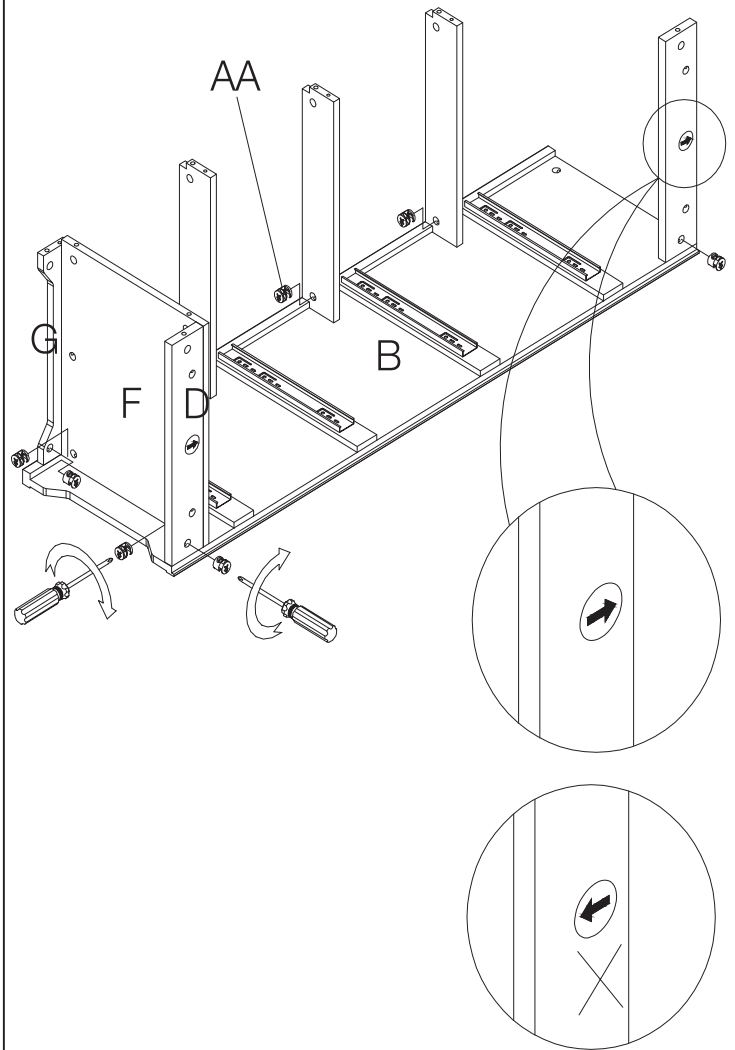
- a) Insert and rotate cam lock bolt(BB) into panel(B) tightly.



- b) Insert wood dowel(CC) into cross brace(E/G); then assemble cross brace(E) and bottom component parts(D/F/G) to panel(B)



- c) Assemble and tighten the above panels by inserting and rotating the cam lock(AA).



Big cam lock Big cam lock bolt Wood dowel

(AA)x8



(BB)x8



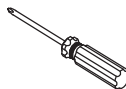
(CC)x4



Small head



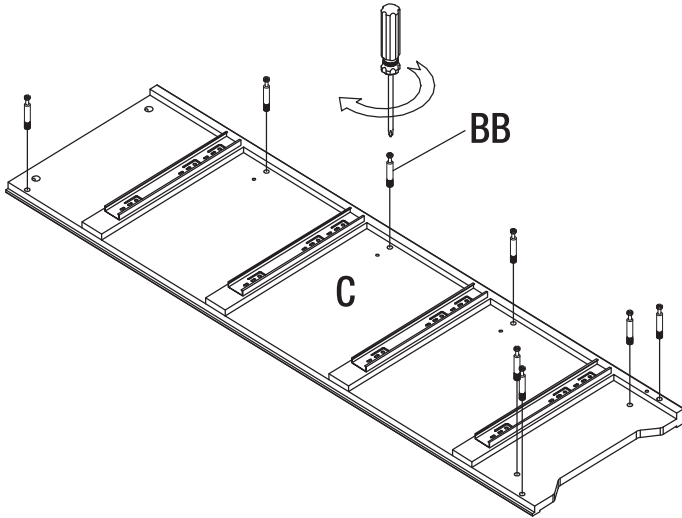
Large head



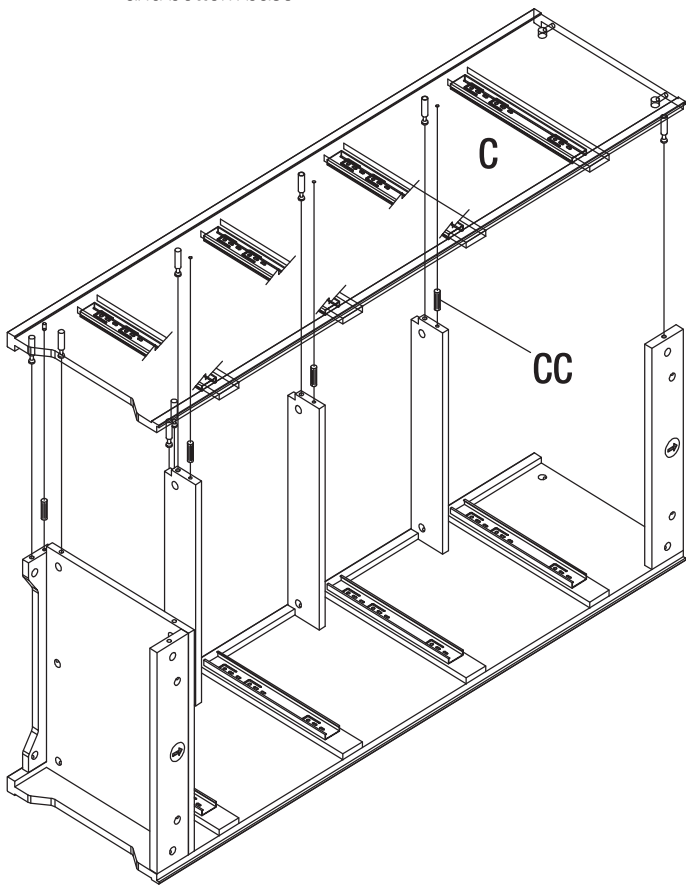
Assembly

4 Assemble the panel(C)

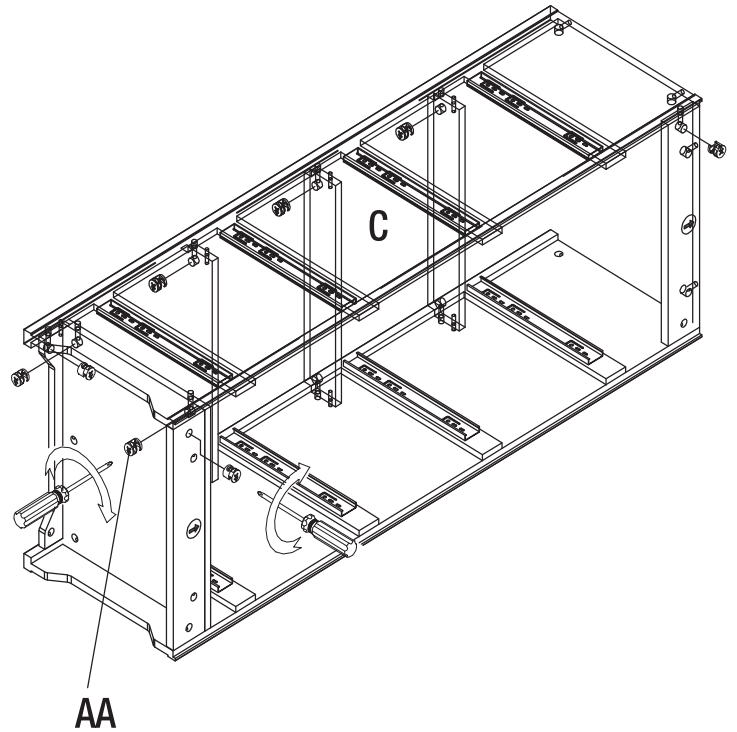
- a) Insert cam lock bolt(BB) into panel(C).



- b) Insert the wood dowel(CC) into panel(E) and bottom base.



- c) Assemble panel(C) by inserting and rotating the cam lock(AA).



Big cam lock Big cam lock bolt Wood dowel

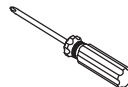
(AA)x8

(BB)x8

(CC)x4

Small head

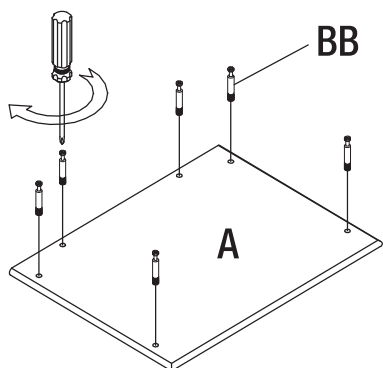
Large head



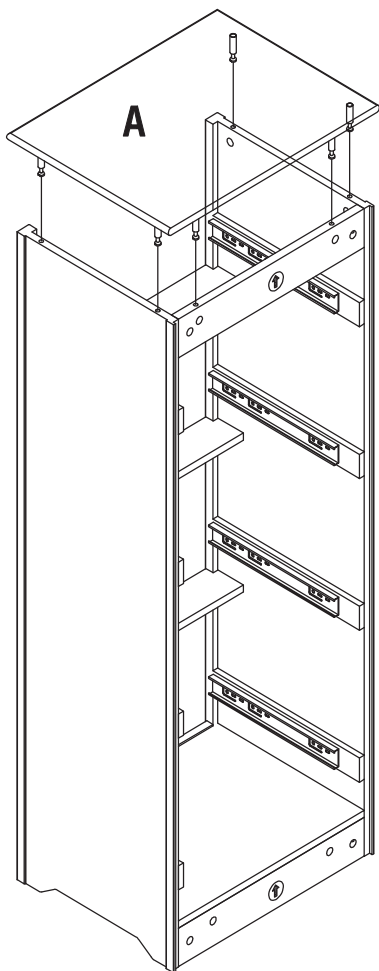
Assembly

5 Assemble panel(A).

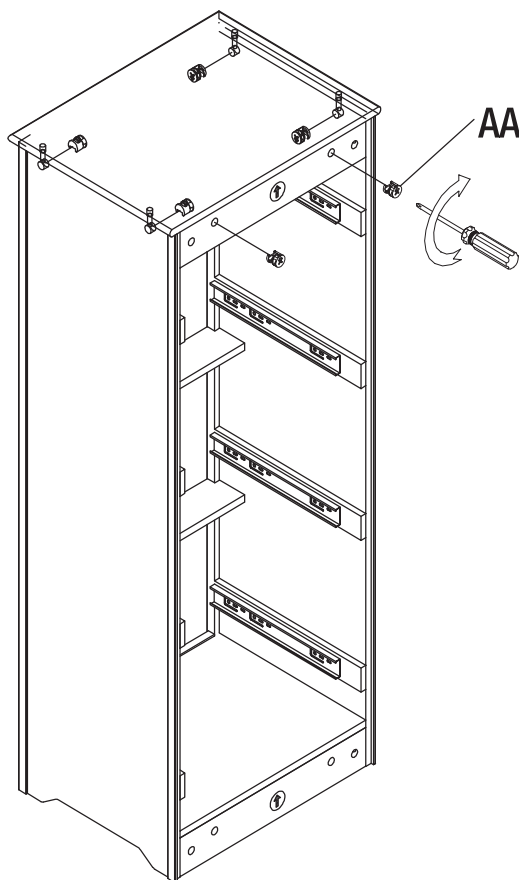
- a) Insert the bolt(BB) into panel(A).



- b) Assemble panel(A) as illustration as below.



- c) Insert and rotate cam lock(AA) to assemble panel(A).



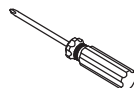
Big cam lock Big cam lock bolt

(AA)x6

(BB)x6

Small head

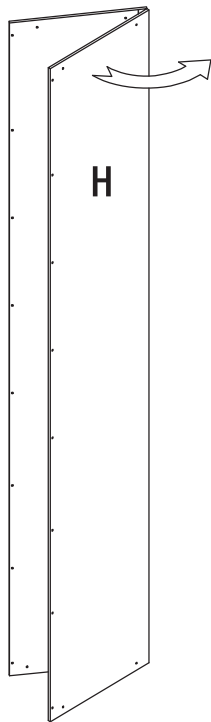
Large head



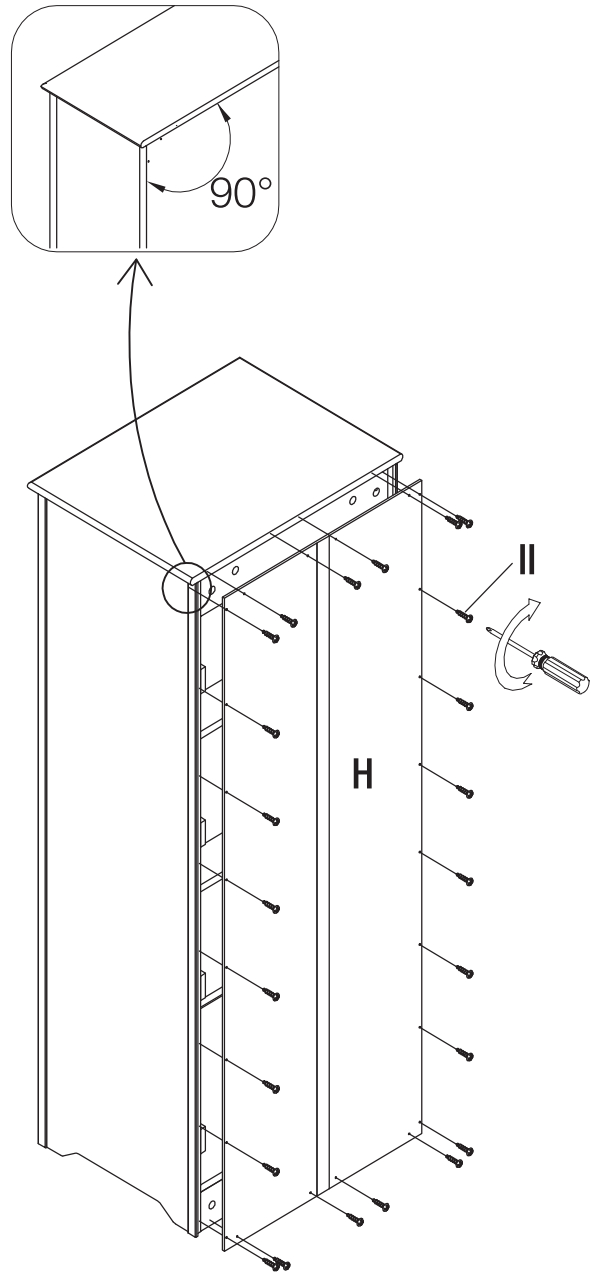
Assembly

6 Install back panel(H)

□ a) Open back panel(H).



□ b) Insert screw(II) into back panel(H) holes.



Round head screw

(II)x24



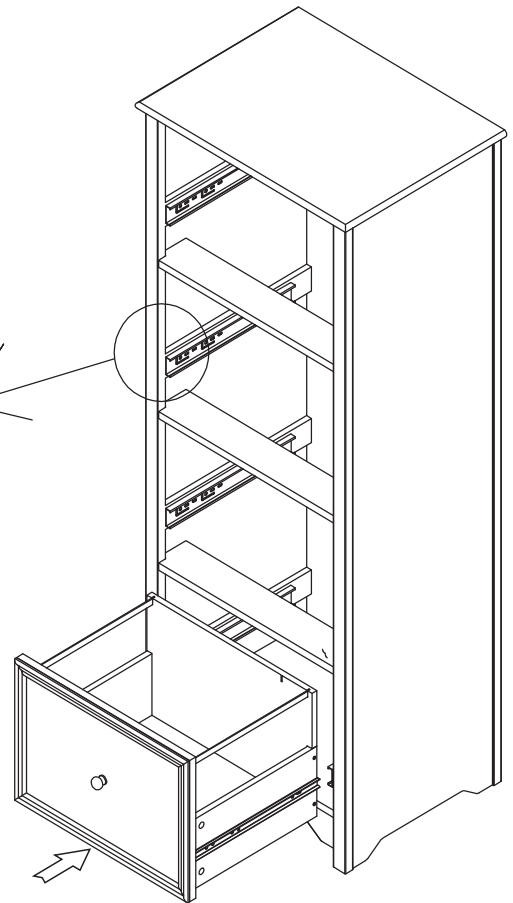
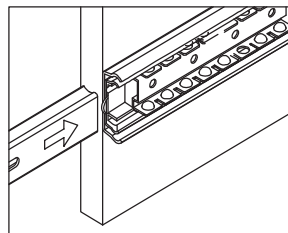
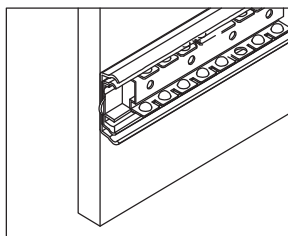
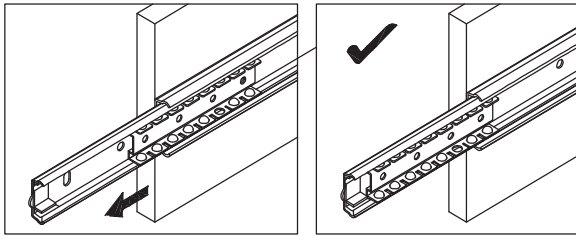
Small head




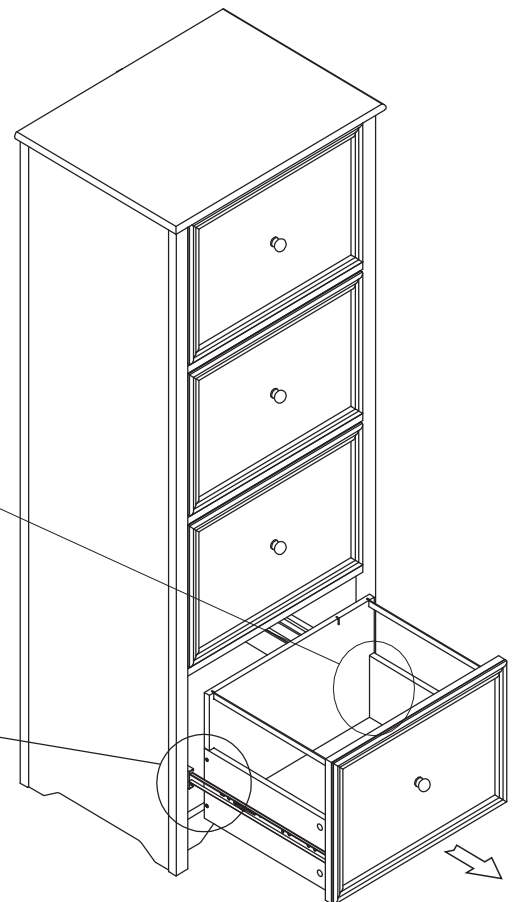
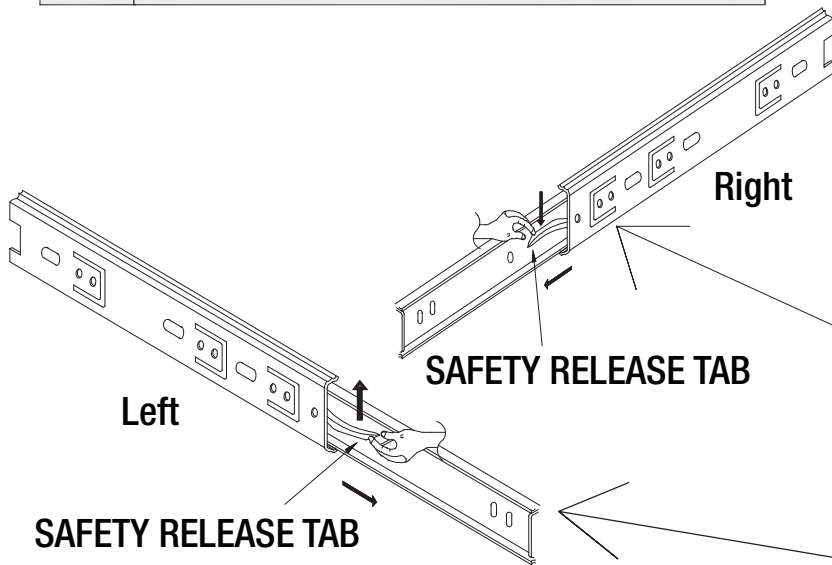
Assembly


7 Inserting the drawer

- Insert the drawer into the assembled body as shown.



 **NOTE:** Make sure the slide piece is at the front end of the glide when installing the drawer into the body.

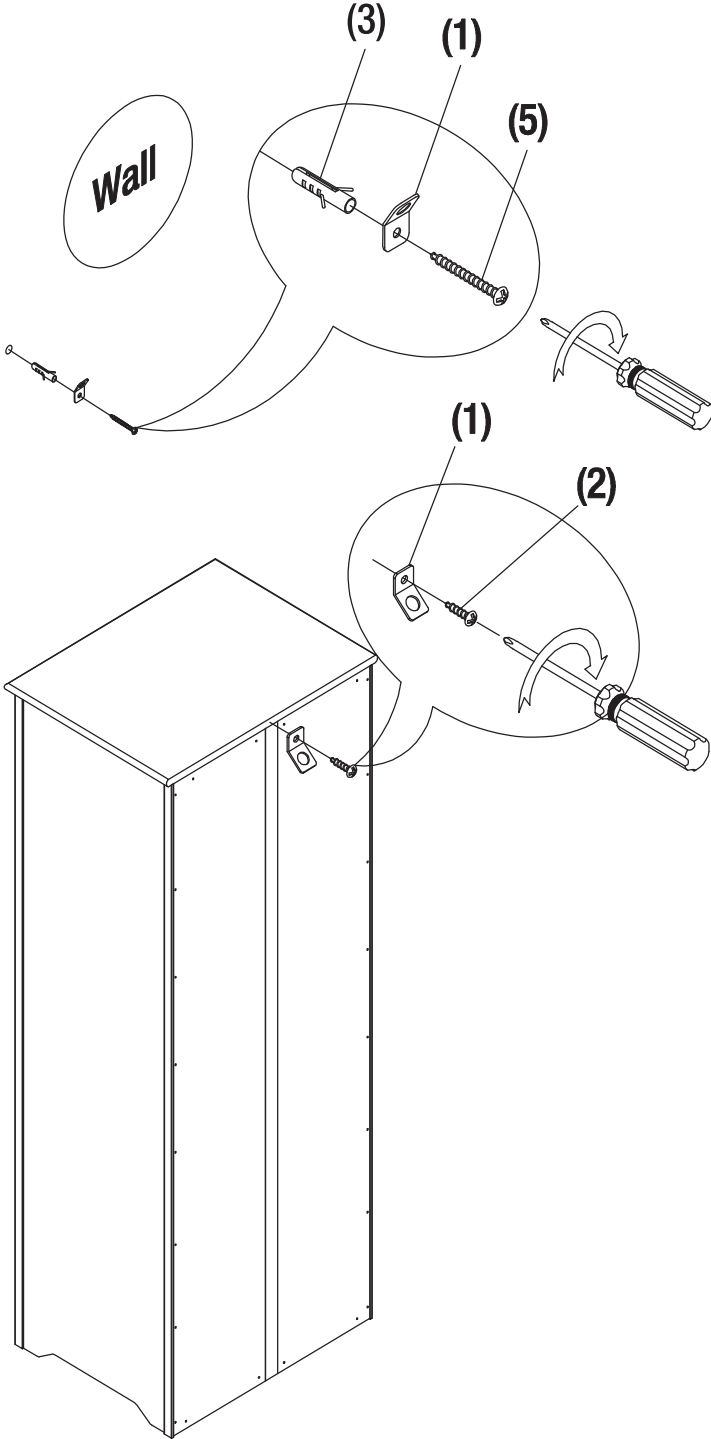


 **NOTE:** When removing the drawer, tip up and press down the safety release tab to remove the drawer from the body

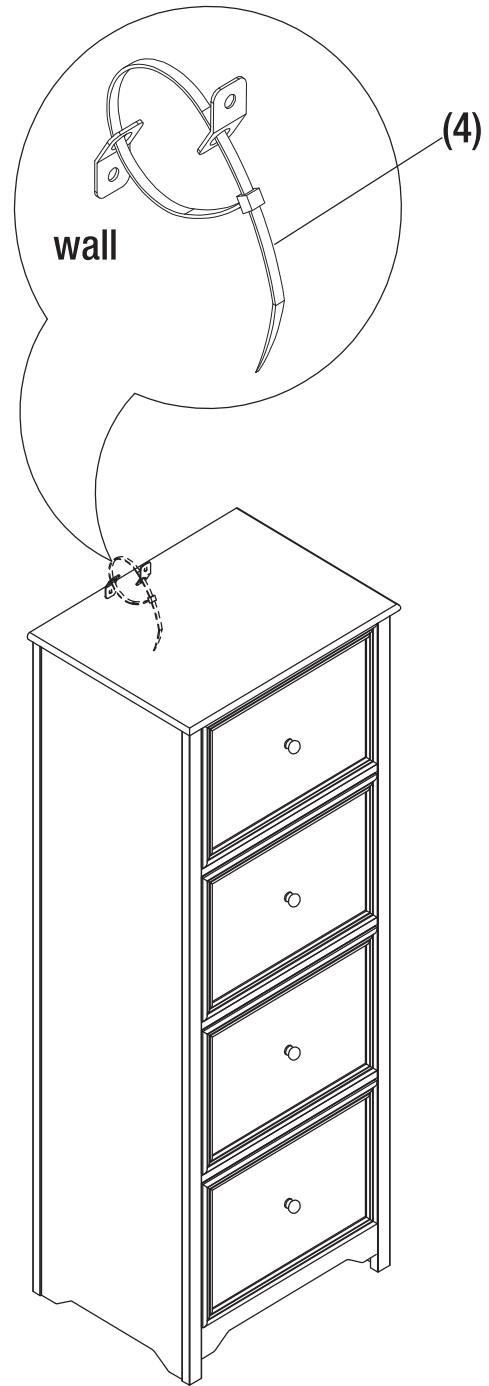
Assembly

8 Finalizing the assembly

- a) Install anti-tipping hardware Package(JJ) as illustration below.



- b) Connect plastic strip(4) with anti-tipping hardware .



Rectangle metal plate

(1)X2



0.63 in.Round head screw

(2)X1



Plastic anchor

(3)X1



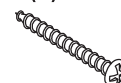
Plastic band

(4)X1



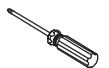
1.97 in.Round head screw

(5)X1



Small head

JJ



Maintenance

- If your furniture is stained or otherwise damaged during use, contact a professional for repairs.

Care and Cleaning

- Use a soft, clean cloth that will not scratch the surface when dusting.
- Use of furniture polishes is not necessary. Should you choose to use polishes, test the polish in an inconspicuous area before using over the entire surface of the product.
- Using solvents of any kind on your furniture may damage the finish.
- Never use water to clean your furniture as it may cause damage to the finish.
- Always use coasters under beverage glasses and flowerpots.
- Liquid spills should be removed immediately. Using a soft, clean cloth, blot the spill gently avoid rubbing.
- Always use protective pads under hot dishes and plates. Heat can cause chemical changes that may create spotting within the furniture finish.
- Use care as stains or marks from crayons or ink markers will be difficult to remove.
- Be sure to immediately clean red wine or soda stains within 30 minutes or the surface will stain.

Troubleshooting

PROBLEMS	SOLUTIONS
Panel cannot be assembled	Make sure panel is on right direction.
Drawers cannot pull in or pull out smoothly	Refer assembly instruction details to assemble drawers, and pull in and pull out drawers several times gently
Drawer cannot be removed	When removing the drawer, tip up and press down the safety release tab to remove the drawer from the body.

HOME
DECORATORS
COLLECTION®

Questions, problems, missing parts?
Before returning to the store, call Home Decorators Collection Customer Service.
8 a.m. – 7 p.m., EST, Monday – Friday, 9 a.m. – 6 p.m., EST, Saturday

1-800-986-3460

HOMEDEPOT.COM/HOMEDECORATORS

Retain this manual for future use.