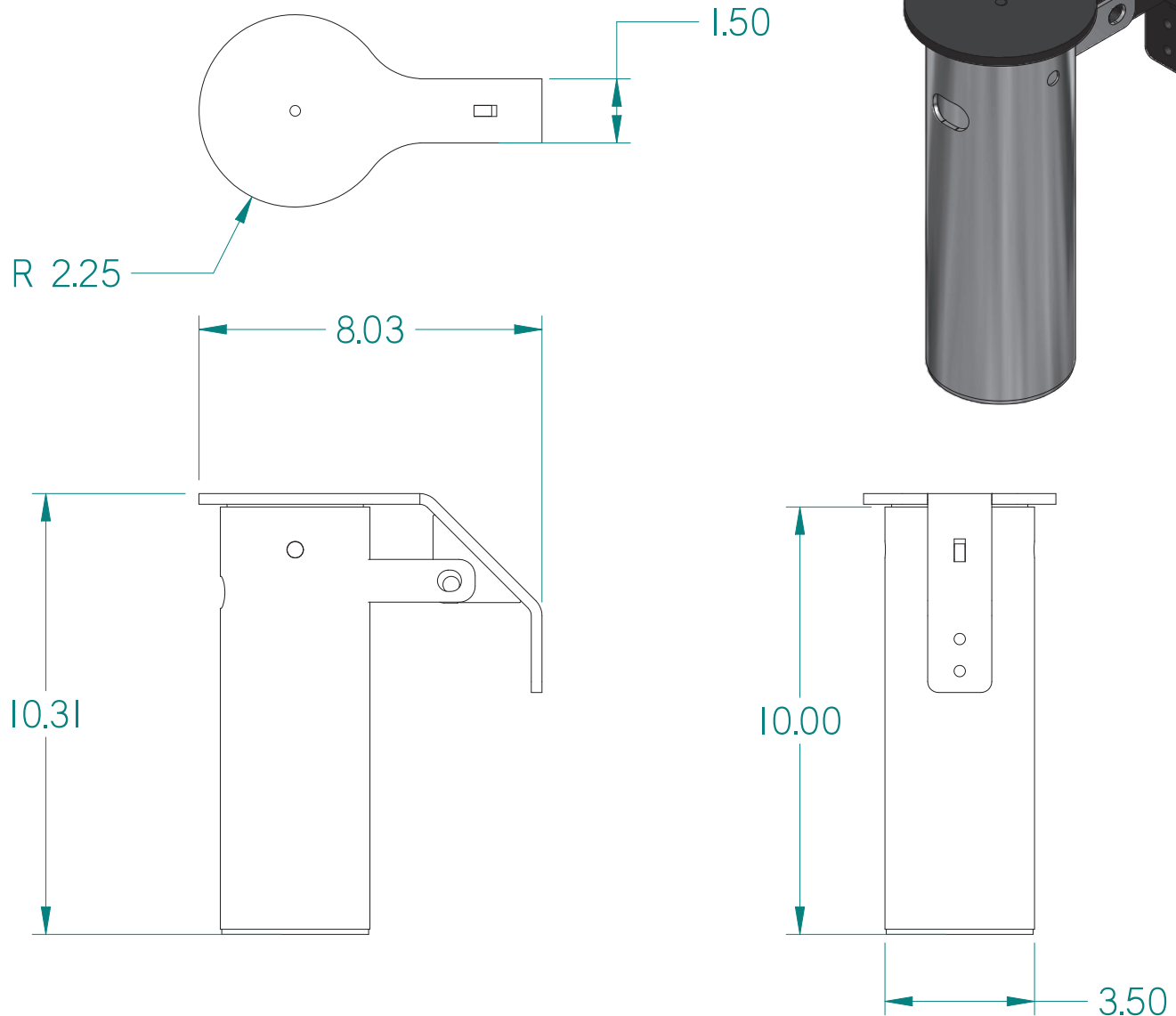
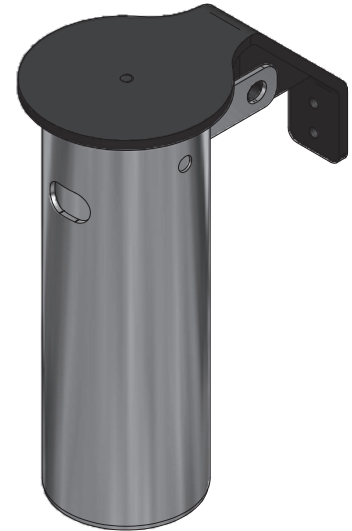


SPECIFICATIONS

INTENDED USE:

TO BE MOUNTED TO THE HORIZONTAL BAND ON A
PFT34 PREMIER FLARE TOP LITTER RECEPTACLE



MATERIALS:

- 1/4" MILD STEEL MOUNTING BRACKET
- 3.50" X .125W HS TUBE CONSTRUCTED ASH CAN
- 1/4-20 X 1.50" STAINLESS STEEL MOUNTING HARDWARE
- COMPLETE WITH ANTI-THEFT LANYARD

FINISH:

- RUST PROTECTIVE E-COAT PRIMER AND POWDER COAT TOP COAT

464-261 RI

SIDE MOUNTED ASH URN