



Important Safety Information

Read all safety information before operating the equipment. **SAVE THESE INSTRUCTIONS.**

Important Electrical Information

Use only an extension cord that will accept the plug on the product. Make sure your extension cord is in good condition. When using an extension cord, be sure to use one heavy enough to carry the current your product will draw. An undersized cord will cause a drop in line voltage resulting in loss of power and overheating. A SJT type cord is required. Cord shall be 14 AWG minimum for general indoor use.

This appliance has a polarized plug (one blade is wider than the other). To reduce the risk of electric shock, this plug is intended to fit in a polarized outlet only one way. If the plug does not fit fully in the outlet, reverse the plug. If it still does not fit, contact a qualified electrician. Do not modify the plug in any way. When servicing, only use identical service parts. Contact WAGNER for a replacement cordset.

General Description

This heat gun is a quality power tool. Like any power tool, it can be dangerous when misused. Read the following instructions carefully and follow all safety precautions. It is the responsibility of the owner to use the heat gun properly. Only adults should use a heat gun.

Specifications

Housing:.....Engineered high-impact corrosion and heat-resistant polymers

Wattage:1500 Watts on highest, 30 Watts on lowest

Heat Output:Approximately 1300°F on high, approximately 125°F on low

Weight:.....1.95 pounds



For more details on multiple projects and 'how to' videos please visit www.wagnerspraytech.com.

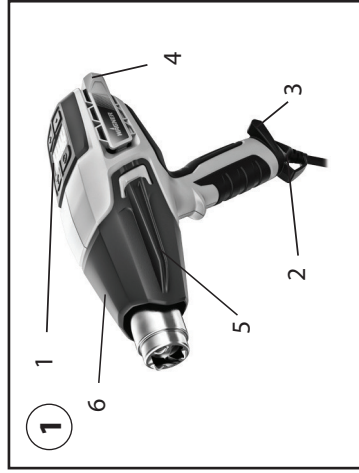
Using the Heat Gun



Always read the safety information included in this manual before using the heat gun.

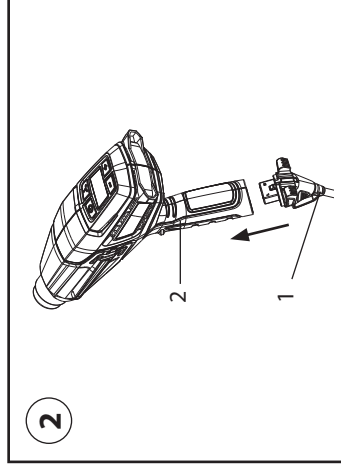
Component Description (Fig. 1)

- 1) Graphic LCD screen and control panel
- 2) Hanging hook
- 3) Cordset with integrated stabilizers (removable with tool)
- 4) Rear stabilizer fins (stand)
- 5) Side bars to prevent nozzle touching surface
- 6) Heat shield



Attaching the power cord (Fig. 2)

The power cord (Fig. 2, 1) for the heat gun is delivered detached from the gun (Fig. 2, 2). To attach, line up the cord by the forward facing groove with the socket on the handle of the gun and press together until you hear a click.



Hands-free operation (Fig. 3)

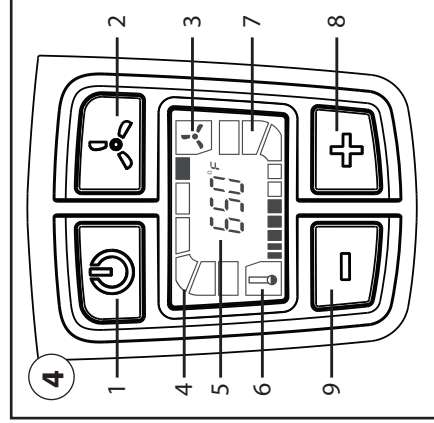
The heat gun has an integrated stand for bench top applications and cool down mode.



Touch Pad Control Panel (Fig. 4)

The heat gun gives you a wide temperature range to choose from, depending upon the type of project. These can be controlled via the Control Panel.

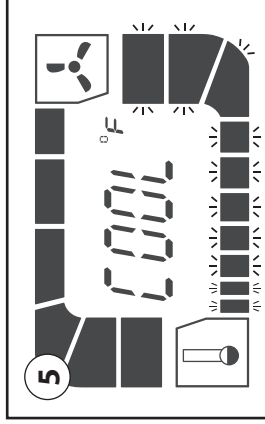
- 1) Power button: Turns the heat gun ON and OFF or switches the heat tool into cool down mode
- 2) Mode selector: Changes the fan speed in which you are operating
- 3) Air flow icon
- 4) Air flow indicator. Fills from right to left
- 5) Text/number display
- 6) Temperature icon
- 7) Temperature indicator. Fills from left to right
- 8) Temperature selector: Increases the temperature (+)
- 9) Temperature selector: Decreases the temperature (-)



Screen currently shows default start-up display. 650°F at lowest fan speed.

Cool Down Mode (Fig. 5)

While the heat gun is operating, press the power button once to enter cool down mode. When cool down mode is entered, the gun will run for 30 seconds with maximum air flow. During this period, the temperature bars will all flash and step down to indicate cooling. To override cool down mode, press and hold the power button for 2-3s.



Startup

1. Plug the unit into a standard wall outlet.
2. Turn on the heat gun by pressing the **POWER** button on the touch pad (Fig. 4, 1). When the gun is turned on, it is automatically set to the default temperature of 650°F as shown in Fig. 4.
3. Use the plus and minus buttons (Fig. 4, #8 & #9) to adjust the temperature. Single press to increase temperature in one degree increments. Hold to increase in 10 degree increments.
4. As the temperature is increased, bars will flash to indicate that the gun is coming up to temperature. As the higher temperature is reached, the bars turn solid.
5. As the temperature is decreased, bars will flash to indicate that the gun is still at a high temperature. As the lower temperature is reached, the bars turn off.

IMPORTANT: If the blower motor in the heat gun does not turn on when the POWER button is activated, turn the switch OFF immediately. The heating element will burn out if it is not cooled by the blower.