



# 40 V Cordless Snow Blower

Model No. iON18SB

Form No. SJ-iON18SB-880E

A Division of Snow Joe®, LLC


## OPERATOR'S MANUAL

### IMPORTANT! Safety Instructions

### All Operators Must Read These Instructions Before Use

Read all instructions when using cordless snow blowers. Basic safety precautions should always be followed to reduce the risk of fire, electric shock, and personal injury.

### General Safety Rules

Notice the personal safety alert symbol  used in this manual to draw your attention to a **WARNING** given along with the particular operating instruction. This means that the operation requires special **ATTENTION, CAUTION, and AWARENESS**.

- **Keep work area clean and well lit** – Cluttered, dark areas invite accidents.
- **Keep bystanders away** – All bystanders and pets should be kept a safe distance away from the work area.
- **Dress properly** – Do not wear loose clothing or jewelry. They can get caught in moving parts. Protective rubber gloves and non-slip footwear are recommended when working outdoors.
- **Use the right product** – Do not use this machine for any job except that for which it is intended.
- **⚠CAUTION!** – Exercise caution to avoid slipping or falling. Wear protective footwear that will protect your feet and improve your footing on slippery surfaces.
- **Use safety glasses** – Also use safety footwear, snug-fitting clothing, protective gloves, hearing and head protection.
- **Do not force the snow blower** – Use the snow blower at the rate for which it was designed to ensure optimal performance and safe operation.
- **Stay alert** – Watch what you are doing. Use common sense. Do not operate the snow blower when you are tired or under the influence of alcohol or drugs.
- **Do not overreach** – Keep proper footing and balance at all times.
- **Store indoors** – When not in use, the snow blower should be kept dry and stored out of the reach of children in a high or locked place.
- **Maintain snow blower with care** – Follow instructions for lubricating and changing accessories.

**⚠WARNING!** Turn off the power switch and disconnect the battery before making any adjustments, inspecting, servicing, changing accessories, cleaning the snow blower, or when any other dangerous conditions present. Any such operation should be performed after revolving parts inside the snow blower stop completely. Such preventive safety measures reduce the risk of starting the power tool accidentally.

**⚠WARNING!** When replacing any parts, you must strictly observe the instructions and procedures described in this user manual. Special care should be paid to any rubber parts, since these parts may increase the engine load and decrease its mechanical power if damaged.

**⚠WARNING!** If you notice that the snow blower is not running properly or hear abnormal sounds from the engine when it is in use, immediately stop the machine, disconnect the battery, and contact your service center.

- **Surfaces** – This snow blower is intended for use on paved surfaces. Do not use on gravel, stone or other unpaved surfaces unless the snow blower is adjusted for such surfaces according to the instructions given in the operator's manual.
- **Moving parts present risks** – Keep your face, hair, clothing, hands, and feet away from moving parts. All guards and safety attachments must be installed properly before using the unit. Shut off and disconnect the battery before touching any parts other than the handles and switch.
- **Avoid unintentional starting** – Make sure the safety switch and the switch bar lever are in the off position before inserting the battery in the unit. Do not carry the snow blower with the safety switch and the switch bar lever engaged.
- **Do not overreach** – Maintain proper footing and balance at all times. Place heels firmly on the ground and tightly grasp the handle bar. Watch for uneven surfaces and do not overreach. In case you fall or collide with the snow blower, inspect the unit for any damages or cracks. When stepping backwards, be careful to avoid obstacles beneath your feet or behind you to avoid falling.

**⚠WARNING!** If the snow blower strikes any object, follow these steps:

- i) Stop the snow blower. Remove the battery.
- ii) Inspect for damage.
- iii) Repair any damage before restarting and operating the snow blower.

# Battery & Charger Safety Instructions

**⚠️ WARNING!** Use only approved replacement batteries; other batteries may damage the snow blower and cause it to malfunction, which can lead to personal injury.

**⚠️ CAUTION!** To reduce the risk of injury, charge the EcoSharp™ iBAT40 lithium-ion pack only in its designated lithium-ion charger, the iCHRG40. Other types of chargers may cause personal injury or damage. Do not wire a battery pack to a power supply plug or car cigarette lighter. Battery packs will be permanently disabled or damaged if such unacceptable measures are taken.

- **Avoid dangerous environments** – Do not charge the battery pack in rain, snow, damp, or wet locations. Do not use the battery pack or charger in the presence of explosive atmospheres (gaseous fumes, dust, or flammable materials) because sparks may be generated when inserting or removing the battery pack, which could potentially lead to a fire.
- **Charge in a well ventilated area** – Do not block the charger vents. Keep them clear to allow for proper ventilation. Do not allow smoking or open flames near a charging battery pack. Vented gases may explode.

**NOTE:** The safe temperature range for the battery is -4°F (-20°C) to 113°F (45°C). Do not charge the battery outside in freezing weather; charge it at room temperature.

- **Maintain charger cord** – When unplugging the charger, pull the plug rather than the cord to reduce the risk of damage to the electrical plug and cord. Never carry the charger by its cord. Keep the cord away from heat, oil, and sharp edges. Make sure the cord will not be stepped on, tripped over, or subjected to damage or stress. Do not use the charger with a damaged cord or plug. Replace a damaged charger immediately.
- **Do not use an extension cord unless it is absolutely necessary** – Using the wrong, damaged, or improperly wired extension cord poses a risk of fire and electric shock. If an extension cord must be used, plug the charger into a properly wired 16 gauge or larger extension cord with blades that are the same number, size, and shape as the blades on the charger. Make sure that the extension cord is in good electrical condition.
- **Charger iCHRG40 is rated for 120 volt AC only** – The charger must be plugged into an appropriate receptacle.
- **Use only recommended attachments** – Use of an attachment not recommended or sold by the battery charger or battery pack manufacturer may result in a risk of fire, electric shock, or personal injury.
- **Unplug charger when not in use** – Make sure to remove battery packs from unplugged chargers.

**⚠️ WARNING!** To reduce the risk of electric shock,

always unplug the charger before performing any cleaning or maintenance task. Do not allow water to flow into the AC/DC plug. Use a Ground Fault Circuit Interrupter (GFCI) to reduce shock hazards.

- **Do not burn or incinerate battery packs** – Battery packs may explode, causing personal injury or damage. Toxic fumes and materials are created when battery packs are burned.
- **Do not crush, drop, or damage battery packs** – Do not use the battery pack or charger if they have sustained a sharp blow, been dropped, run over, or damaged in any way (e.g. pierced with a nail, hit with a hammer, stepped on, etc.).
- **Do not disassemble** – Incorrect reassembly may pose a serious risk of electric shock, fire, or exposure to toxic battery chemicals. If the battery or charger are damaged, contact your Snow Joe® dealer or Snow Joe® customer service center.
- **Battery chemicals cause serious burns** – Never let a damaged battery pack contact the skin, eyes, or mouth. If a damaged battery pack leaks battery chemicals, use rubber or neoprene gloves to safely dispose of it. If skin is exposed to battery fluids, wash the affected area with soap and water and rinse with vinegar. If eyes are exposed to battery chemicals, immediately flush with water for 20 minutes and seek medical attention. Remove and dispose of contaminated clothing.
- **Do not short circuit** – A battery pack will short circuit if a metal object makes a connection between the positive and negative contacts on the battery pack. Do not place a battery pack near anything that may cause a short circuit, such as coins, keys, or nails. A short-circuited battery pack may cause fire and personal injury.
- **Store your battery pack and charger in a cool, dry place** – Do not store the battery pack or charger where temperatures may exceed 120°F (50°C), such as in direct sunlight or inside a vehicle or metal building during the summer.

## Additional Safety Instructions

### Safety Instructions for Walk-Behind Snow Blowers

- **Read the operator's manual carefully** – Learn your snow blower's applications and limitations as well as the specific potential hazards related to this machine. Do not use this machine for any purpose other than the one for which it was designed. Failure to adhere to these precautions may cause mechanical defaults, serious damage, or personal injury.
- **Preliminary unit inspection** – Thoroughly inspect the unit before use. Make sure all the parts are secure and installed correctly. If you notice any abnormalities, do not use the machine until it has been properly repaired. Always

perform a test run the first time you use the snow blower or after replacing parts to ensure that the unit is functioning properly.

- **Preliminary area inspection** – Clear the area to be plowed before each use. Remove all objects such as rocks, broken glass, nails, wire, or string, which can be thrown by or become entangled in the snow blower. Keep the area of operation clear of all persons, children, and pets.
- **Excessive force** – The snow blower was designed to respond at a certain rate for various snow conditions for optimal safety and performance. Do not force it; keep the applied pressure constant throughout its operation.
- **Malfunctioning switch** – Do not use the snow blower if the switch does not turn it on and off. Any appliance that cannot be controlled by the switch is not safe to use and must be repaired.
- **Hitting an object** – If the snow blower accidentally strikes an object, first stop the snow blower and remove the battery; next, inspect for damage; finally, repair or replace any damaged part before restarting and operating the snow blower.
- **Discharge chute safety** – Never direct the snow discharge chute at the operator, at bystanders, at vehicles, or at windows. The discharged snow, which may contain foreign objects accidentally picked up by the snow blower, can cause serious damage and personal injury. Do not use your hands to unclog the discharge chute. Stop the motor before removing debris.
- **Hand-held operating position** – Operation of the snow blower in the hand-held position is unsafe.
- **Abnormal operation** – If you find that the snow blower is not running properly or hear abnormal sounds from the engine, immediately stop the machine, remove the battery, and contact your original distributor.
- **Noise control** – When using the snow blower, respect the local laws and regulations regarding noise control and environmental protection. To avoid noise disturbance, you should carefully decide upon an appropriate operation time and consider the surrounding conditions.
- **When work is completed** – Disconnect the snow blower from the power source when not in use, when changing accessories, and before performing any maintenance task.
- **Store safely** – Store the snow blower indoors in a dry area between uses. Keep in a locked area, where children and unauthorized users cannot gain access. Do not store the machine while it is still connected to the power source. It may cause damage and injury.
- **Maintain for safety and longevity** – Check for misalignment or binding of moving parts, breakage of parts, and any other conditions that may affect the unit's operation. If damaged, repair or replace the damaged part before use. Use only those replacement parts made for your model. When replacing any parts, you must strictly observe the instructions and procedures described in this manual.



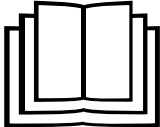







Special care should be paid to any rubber parts, since these parts may increase the engine load and decrease its mechanical power if damaged.

## Electrical Safety

- **Electrical plugs must match the outlet** – Never modify the plug in any way. Do not use any adapter plugs with grounded appliances. Unmodified plugs and matching outlets will reduce the risk of electric shock.
- **Avoid accidental starting** – Make sure the safety switch and the switch bar lever is in the OFF position before inserting the battery pack into the unit. Do not carry the snow blower with the safety switch and switch bar lever engaged.

# Safety Symbols

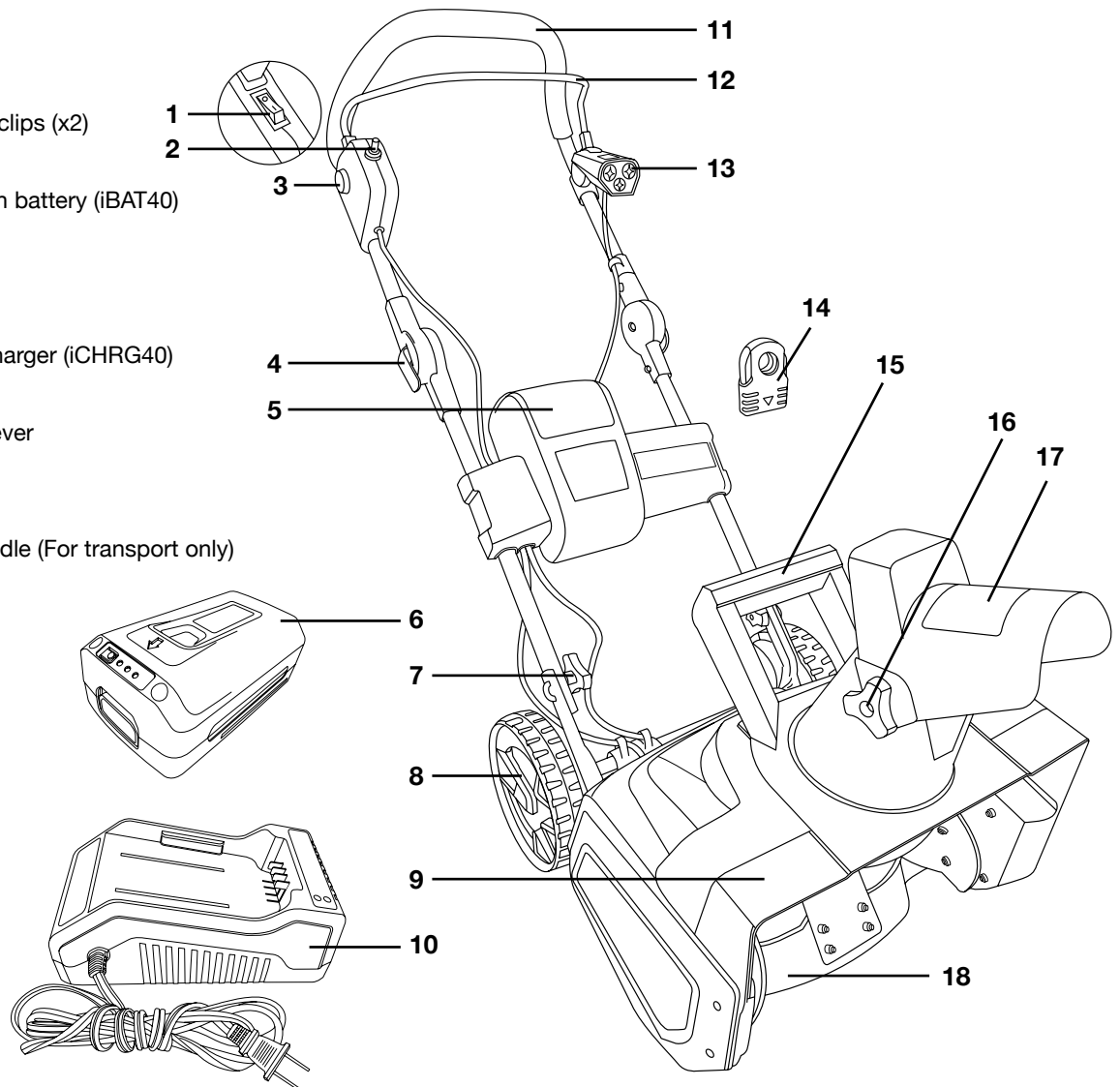
The following table depicts and describes safety symbols that may appear on this product. Read, understand, and follow all instructions on the machine before attempting to assemble and operate.

Symbols	Descriptions	Symbols	Descriptions
	Safety Alert. Caution.		Wear hearing protection. Wear eye protection. Wear breathing protection.
	<b>WARNING!</b> To reduce the risk of injury, user must read instruction manual.		The rotating part will continuously run for several seconds after you turn off the machine.
	Do not expose to rain. Keep dry.		<b>DANGER!</b> Keep hands and feet away from openings while the machine is running.
	Keep the bystander away. Use at a distance of at least 33 ft (10 m) from other people.		Rotating blades – Do not use hands to unclog chute. Stop motor before removing debris.
	<b>CAUTION!</b> Beware of flying debris.		Indoor use only. Only use battery charger indoors.

# Know Your Cordless Snow Blower

Read the owner's manual and safety rules carefully before operating the snow blower. Compare the illustration below to the snow blower in order to familiarize yourself with the location of the various controls and adjustments. Save this manual for future reference.

1. LED light switch
2. Chute remote switch
3. Safety switch button
4. Handle lock/Release clips (x2)
5. Battery compartment
6. EcoSharp™ lithium-ion battery (iBAT40)
7. Handle knob
8. Wheels
9. Main cover
10. EcoSharp™ battery charger (iCHRG40)
11. Handle bar
12. ON/OFF switch bar lever
13. LED light
14. Safety key
15. Carrying or lifting handle (For transport only)
16. Deflector knob
17. Chute deflector
18. Auger



## Technical Data

Battery Voltage	40 V ~ 4 Ah	Throwing Distance (Max)	20 ft (6 m)
Charging Time	2.5 – 3 hours	Plowing Capacity (Max)	495 lbs/min (225 kg/min)
No Load Speed	2,500 rpm	Directional Control	180° auto-rotate chute
Clearing Width	18 in. (45.7 cm)	LED Light	3 watt
Depth of Snow Cut	8 in. (20.3 cm)	Weight (with battery installed)	31.5 lbs (14.3 kg)

# Unpacking

## Carton Contents:

- Cordless snow blower
- 40 V EcoSharp™ battery
- EcoSharp™ battery charger
- Safety key
- Manual

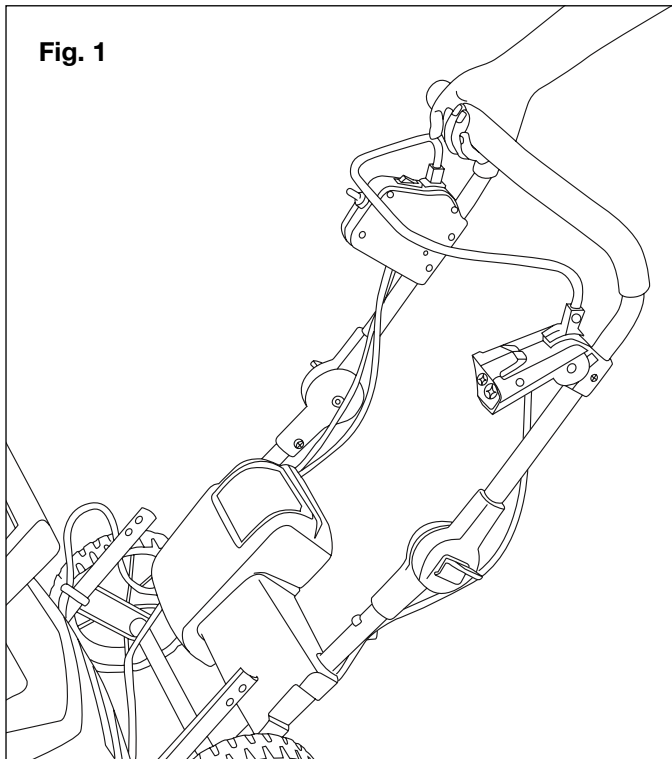
1. Carefully remove the snow blower and all other items from the shipping carton.
2. Inspect the product carefully to make sure no breakage or damage occurred during shipping. If you find damaged or missing parts, DO NOT return the unit to the store. Please call 1-866-766-9563.

**NOTE:** Do not discard the shipping carton and packaging material until you are ready to use your new cordless snow blower.

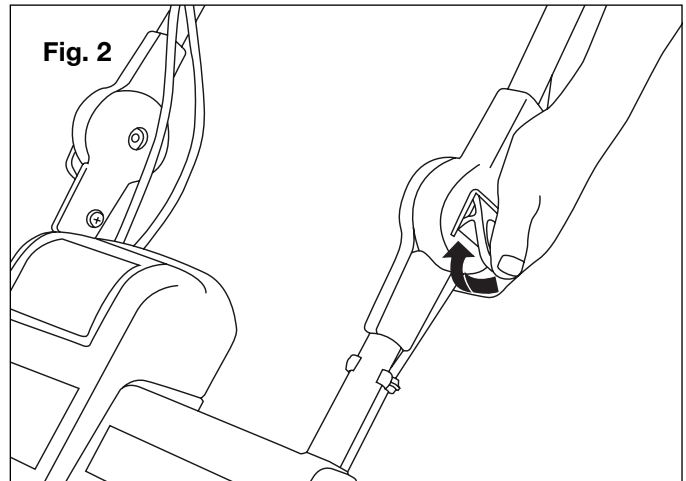
# Assembly

## Assembling the handles

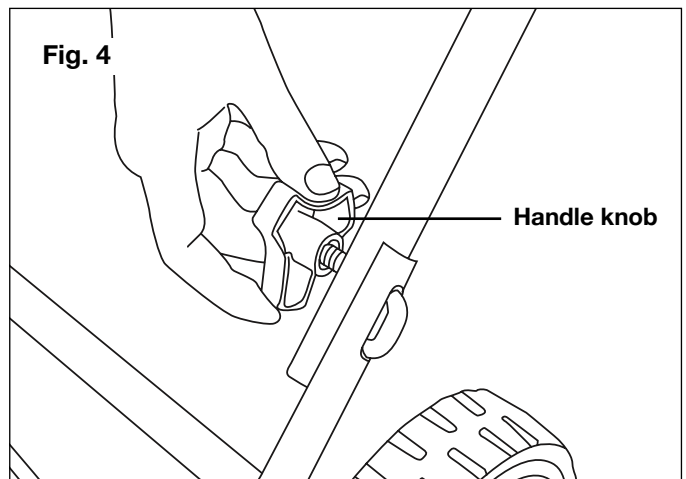
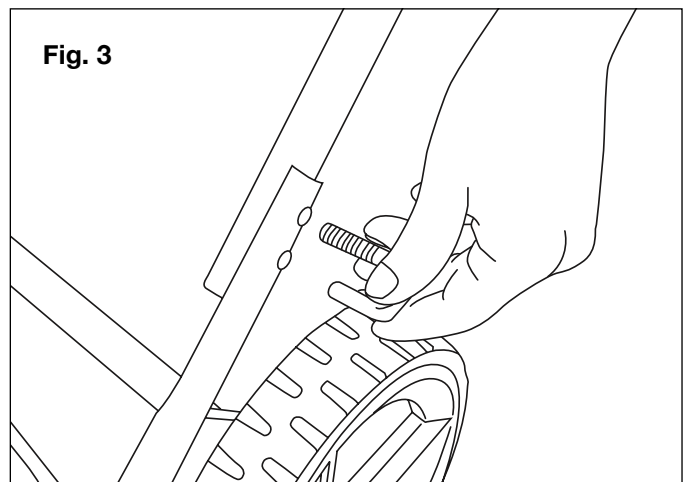
1. For easy assembly, the snow blower comes equipped with most of the parts already connected. In just a few simple steps, your snow blower will be ready to go. To engage the handle, pull up on the upper frame (Fig. 1).



2. Secure the connection of the middle frame to the upper frame by fastening the handle locks on each side (Fig. 2).



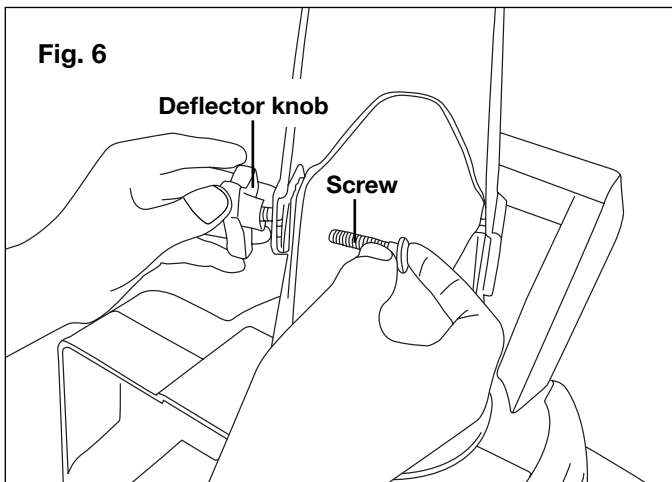
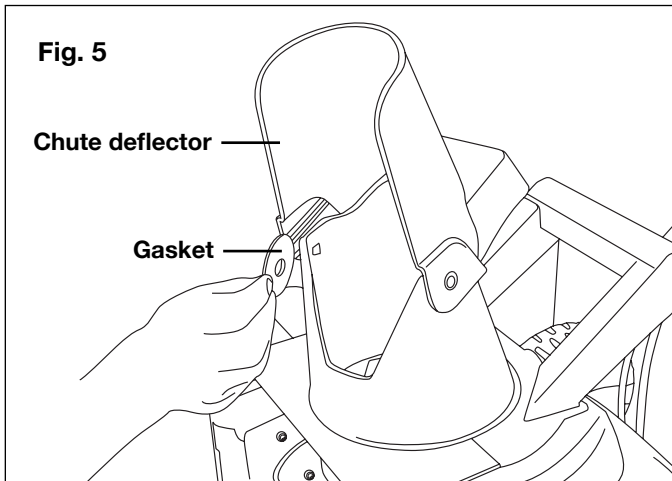
3. Secure the connection of the lower frame to the middle frame by fastening the handle knobs on each side (Figs. 3 & 4).



## Discharge Chute Assembly

1. Lift the chute deflector until it locks securely into place on the discharge chute.
2. Raise or lower the chute deflector to the desired height of the snow stream.
3. Insert the gaskets into the middle of the chute connection and tighten with the deflector knobs on each side (Figs. 5 & 6).

**NOTE:** Do not overtighten the knobs.

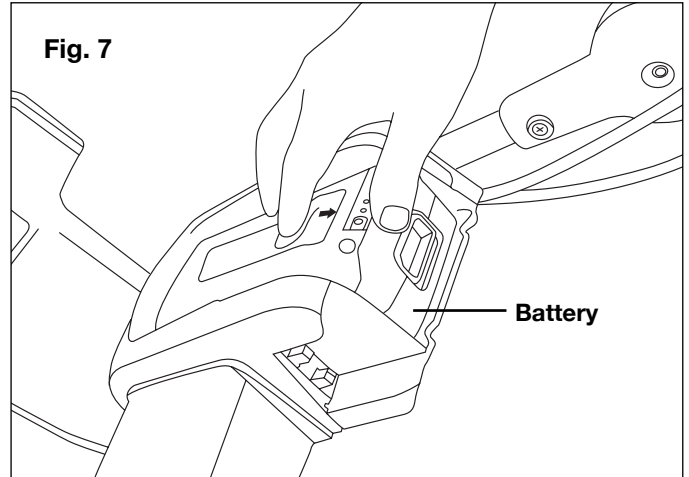


## Operation

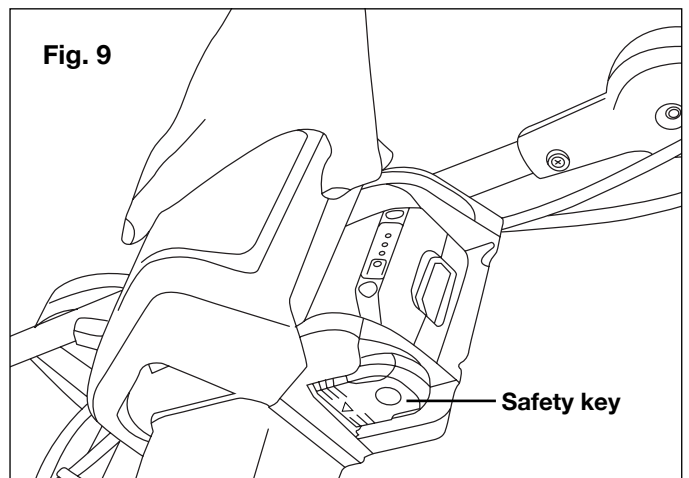
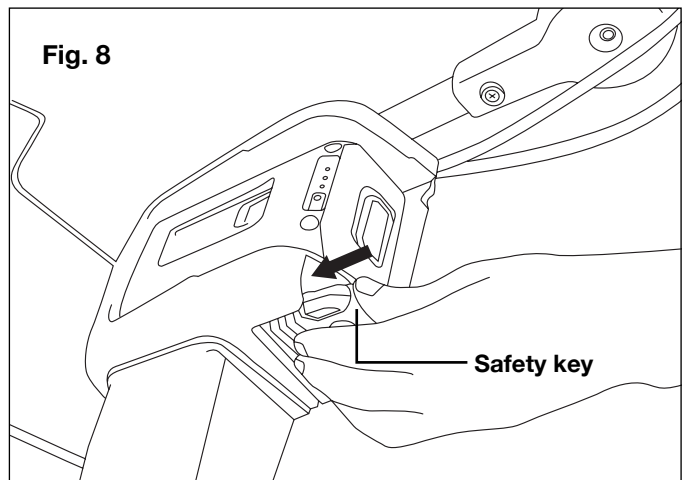
**NOTE:** Before using this machine, make sure that the snow blower's roll shaft and rubber plates are firmly secured with screws, and that the rubber plates are facing the correct direction. Perform a test run to ensure that the rotor turns freely.

## Powering On and Off

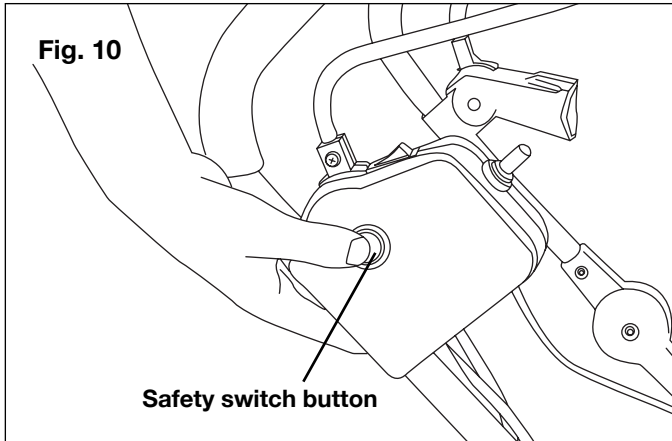
1. Open the battery compartment cover and slide the battery down to lock it into position (Fig. 7).



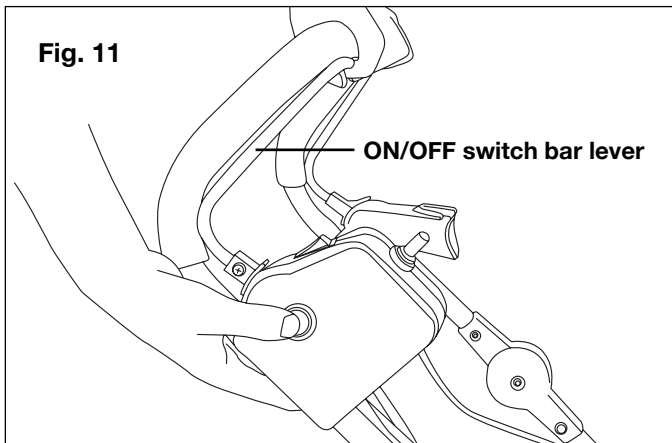
2. Insert the safety key into the slot and close the battery compartment cover (Figs. 8 & 9).



3. To power on, first press the safety switch button found alongside the switch housing (Fig. 10).



4. While depressing the safety switch button with one hand, use your other hand to simultaneously pull the ON/OFF switch bar lever toward you (Fig. 11). Once the machine powers on, release the safety switch button and proceed with operation. The snow blower can only be started by pressing the safety switch button first, followed by squeezing the ON/OFF switch bar lever; reverse operation will not start the machine.



5. To power off, release your grip on the ON/OFF switch bar lever.

## Operating Tips

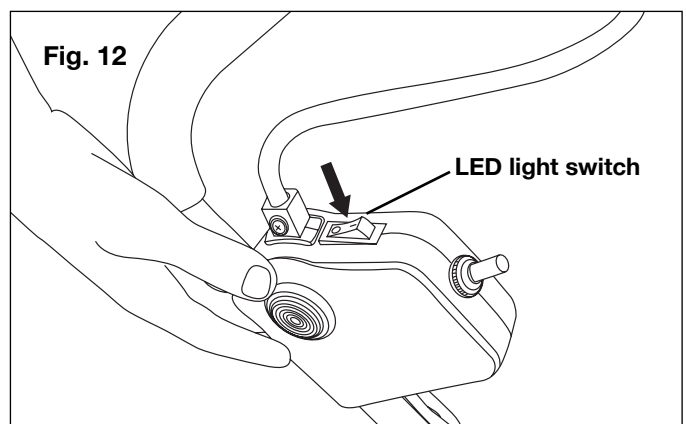
**⚠ WARNING!** Foreign objects, such as rocks, broken glass, nails, wire, or string, can be picked up and thrown by the snow blower, causing serious personal injury. Remove all foreign objects from the area to be plowed before operating the snow blower.

1. Keep the area of operation free of foreign objects that can become thrown by the rotor blades. Perform a thorough inspection of the area since some objects may be hidden from view by surrounding snow. If the snow blower hits an obstruction or picks up a foreign object during use,

stop the snow blower, remove the battery, remove the obstruction, and inspect the unit for damage. Repair or replace any damaged part before restarting and operating the unit.

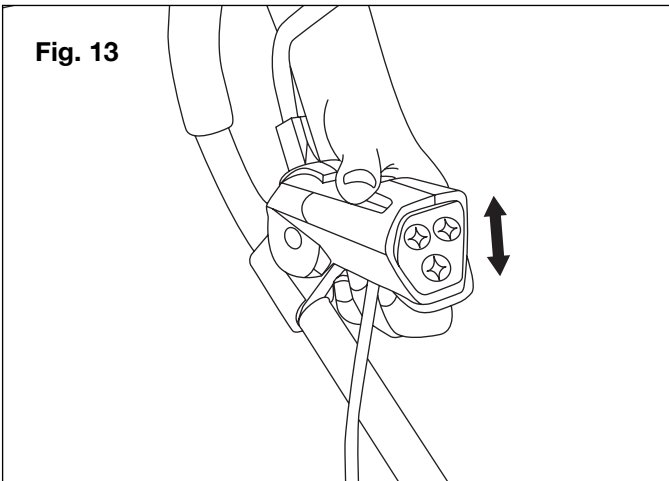
2. Keep children, pets, and bystanders away from the area of operation. Be aware that the normal noise of the machine when turned on may make it difficult for you to hear approaching people.
3. When moving the snow blower, use the wheels on one side as the pivot point. Slightly tilt the snow blower on this pivot point to move it forward or backward.
4. Start your clearing path outward, throwing snow in a back and forth motion. To clear in the opposite direction, pivot the snow blower on its wheels. Make sure to overlap clearing paths.
5. Note the wind direction. If possible, move in the same direction as the wind so that the snow is not thrown against the wind (and thus back into your face and on the just cleared path).
6. Do not push the snow blower with excessive force. You should push the machine gently and evenly in accordance with the unit's throw rate.
7. Do not apply additional man-made load to the motor since this may cause motor damage.
8. Some parts of the snow blower may freeze under extreme temperature conditions. Do not attempt to operate the snow blower with frozen parts. If the parts freeze while the snow blower is in use, stop the snow blower, remove the battery, and inspect for frozen parts. Free all parts before restarting or operating the snow blower. Never force controls that have frozen.
9. When working on pebbles, gravel, or unpaved surfaces, avoid throwing loose surface material along with the snow by pushing down on the handle to raise the scraper at the base of the unit above the pebbles or gravel.
10. To utilize the LED light for nighttime snow removal, activate the LED light switch located on the switch bar harness (Fig. 12).

**NOTE:** After you have finished using your snow blower, remember to turn OFF the light switch.





11. The LED light can be adjusted by moving it up and down as depicted (Fig. 13).

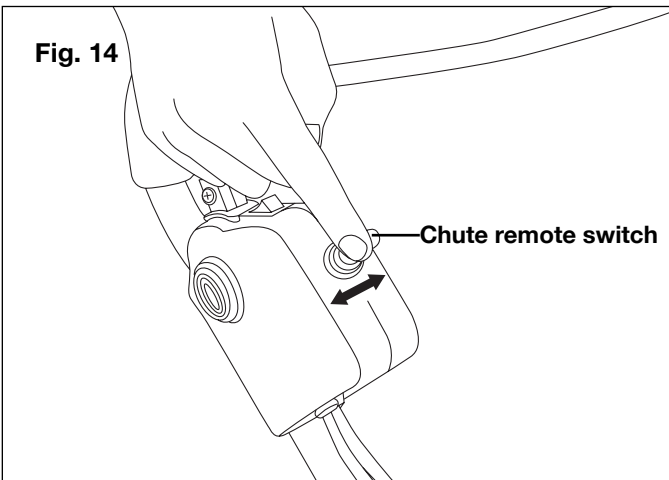


## Changing Throw Direction and Throw Height

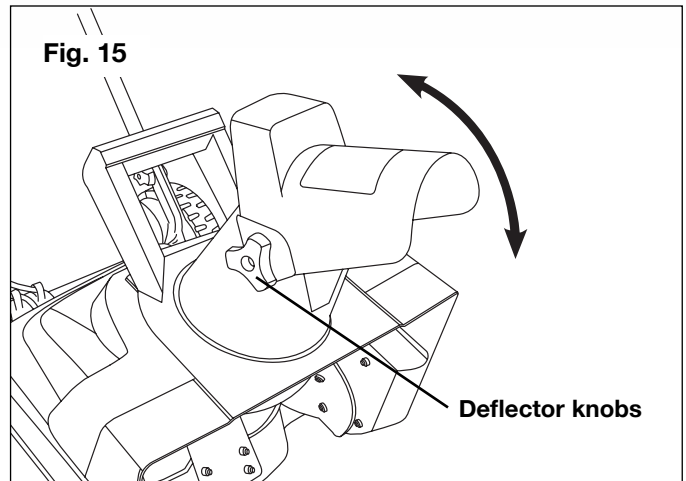
**⚠️ WARNING!** Never direct the snow discharge chute at the operator, at bystanders, at vehicles, or at nearby windows. The discharged snow and foreign objects accidentally picked up and thrown by the snow blower can cause serious damage and personal injury.

Always orient the discharge chute in the opposite direction from where the operator, bystanders, surrounding vehicles, or windows are located.

1. The discharge chute can be controlled 180 degrees by rotating the chute with the remote switch (Fig. 14).



2. The chute deflector on the top of the discharge chute controls the height of the snow stream. Loosen the knobs to raise or lower the deflector to the desired height of snow you wish to throw. Tighten the knobs to secure the deflector (Fig. 15).



**⚠️ WARNING!** Make sure that the chute deflector locks completely onto the discharge chute. An opening between the discharge chute and the chute deflector may allow foreign objects to be picked up by the snow blower and thrown in the direction of the operator causing serious bodily injury.

- Do not advance the chute deflector too far forward as this can cause an opening to appear between the deflector and discharge chute.
- Do not overtighten the knobs on the chute deflector (Fig. 15).

## Battery Pack Operation

### Fuel Gauge

Use the fuel gauge to determine the battery pack's remaining run time. Press the fuel gauge button to display the lights. The fuel gauge will stay lit for two seconds.

Lights	Light Indicators
	Fuel Gauge button
	The battery is at 30% capacity and requires charging
	The battery is at 60% capacity and requires charging soon
	The battery is at full capacity

**NOTE:** If the fuel gauge does not appear to be working, place the battery pack on the charger and charge as needed.

Immediately after using the battery pack, the fuel gauge may display a lower charge than it will if checked a few minutes later. The battery cells "recover" some of their charge after resting.

## Cold Weather Operation

The Snow Joe® EcoSharp™ iBAT40 lithium-ion battery pack can be safely used at temperatures ranging from -4°F (-20°C) to 113°F (45°C).

**NOTE:** Do not charge the battery in freezing weather; charge it at room temperature.

## Charger Operation

**⚠ WARNING!** Charge only Snow Joe® EcoSharp™ iBAT40 lithium-ion battery packs in the Snow Joe® EcoSharp™ iCHRG40 lithium-ion battery chargers. Other types of batteries may cause personal injury and damage. The iBAT40 battery pack and iCHRG40 charger are not compatible with V™-Technology or NiCd systems.

To reduce the risk of electric shock, do not allow water to flow into the AC/DC plug.

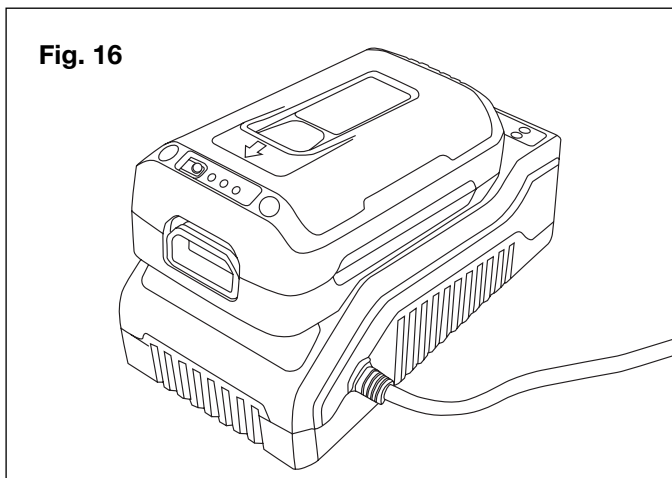
## When to Charge the EcoSharp™ iBAT40 Lithium-Ion Battery

Remove the battery pack from the tool for charging when it is convenient for you or when the fuel gauge indicator lights indicate a diminished battery capacity. The Snow Joe® iBAT40 lithium-ion battery packs do not develop a “memory” when charged after only a partial discharge. Therefore, it is not necessary to run down the battery pack before placing it into the charger.

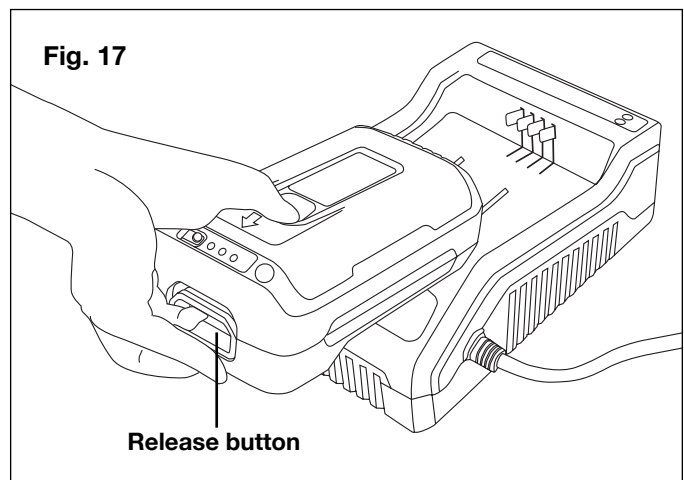
- Use the fuel gauge to determine when to charge your Snow Joe® iBAT40 lithium-ion battery pack.
- You can “top-off” your battery pack’s charge before starting a big job or after a long day use.

## Installing and Charging the Battery

1. Place the battery pack into the charger by sliding the pack forward to lock it into position (Fig. 16).
2. Plug the charger into a electrical wall outlet.



3. The red light will turn on to indicate that the charger is working and the battery is being charged.  
**NOTE:** A flashing red light indicates that the battery pack is either too hot or too cold. Hot or cold battery packs may take longer to charge.
4. The red light will go off and the green light will come on when the battery is completely charged.
5. A fully discharged pack with an internal temperature in the normal range will fully charge in 2.5 to 3 hours (between 32°F (0 °C) and 113°F (45°C)). Heavily cycled battery packs may take longer to charge completely.
6. The fuel gauge lights on the battery pack will display as the pack is being charged to indicate the battery’s capacity.
7. After charging is complete, the continuous green light will turn on and the fuel gauge will turn off.
8. The charger will keep the battery pack fully charged if the pack is left in the charger.
9. If the light indicator flashes red and green, check that the battery pack is fully seated into the bay. Remove the pack and reinsert. If the problem persists, contact the Snow Joe® customer service center.
10. If the light indicator does not come on, check that the battery pack is fully seated into the bay. Remove the pack and reinsert. If the light indicator still does not come on, contact the Snow Joe® customer service center.
11. Remove the battery from the charger by pressing the release button and sliding the battery backward to unlock it from the charger (Fig. 17).



## Charging a Hot or Cold Battery Pack

The red flashing indicator light on the charger indicates that the battery pack temperature is outside the charging range. Once the pack is within the acceptable range, normal charging will take place and the red light will be continuous. Hot or cold battery packs may take longer to charge.

Lithium-Ion Charging Status		
Battery Pack Temperature	Red Charger Indicator Light	Charging Status
Too hot	Flashing	Not charging
Normal range	Continuous	Normal charging
Too cold	Flashing	Not charging

## Maintenance

**⚠️ WARNING!** Make sure to turn off the switch and remove the battery before performing any maintenance task on your snow blower.

### Lifetime Lubrication (Motor and Auger)

Lubrication is not necessary and may damage the unit. The snow blower is lubricated for lifetime use at the factory before shipment.

### General Maintenance Tips

1. Do not attempt to repair the machine unless you have the proper tools and instructions for disassembly and repair of the machine.
2. Check bolts and screws at frequent intervals for proper tightness to ensure that the equipment is in safe working condition.
3. After each snow removal session, run the snow blower for a few minutes to prevent the collector/impeller from freezing. Shut off the motor, wait for all revolving parts to stop completely, and wipe residual ice and snow off the unit. Rotate the chute deflector by the remote switch several times to remove any excess snow.

### Proper Care for Battery/Charger

**⚠️ WARNING!** To reduce the risk of injury, always unplug the charger and remove the battery pack from the charger before performing any maintenance task. Never disassemble the battery pack or charger. Contact your Snow Joe® dealer or Snow Joe® customer service center for ALL repairs.

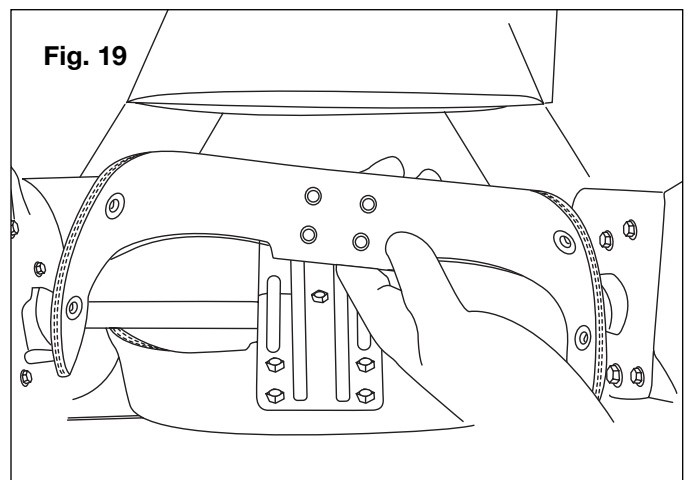
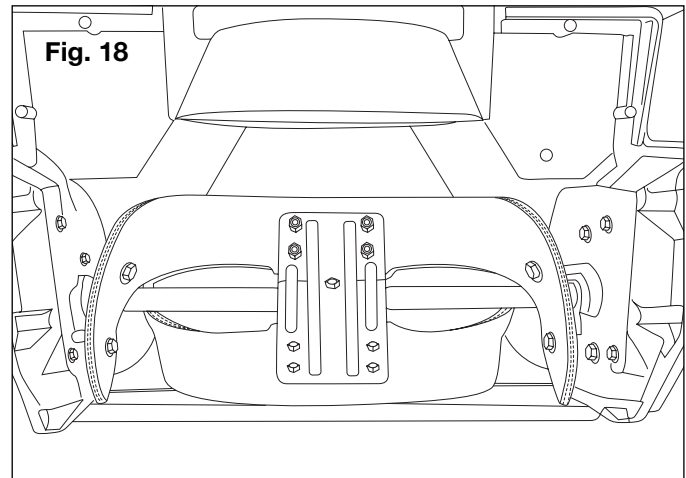
1. To reduce the risk of injury and damage, never immerse your battery pack or charger in liquid or allow a liquid to flow inside them.
2. Clean out dust and debris from charger vents and electrical contacts by blowing with compressed air.

3. Use only mild soap on a damp cloth to clean the battery pack and charger, keeping away from all electrical contacts. Certain cleaning agents and solvents are harmful to plastics and other insulated parts. Some of these include gasoline, turpentine, lacquer thinner, paint thinner, chlorinated cleaning solvents, ammonia, and household detergents containing ammonia. Never use flammable or combustible solvents around battery packs, battery chargers, or tools.
4. The Snow Joe® iCHRG40 lithium-ion battery charger has no serviceable parts.

## Replacing the Rubber Plates

**NOTE:** When replacing worn rubber plates, pay close attention to the order in which you remove the plates. Insert the new plates in the reverse order.

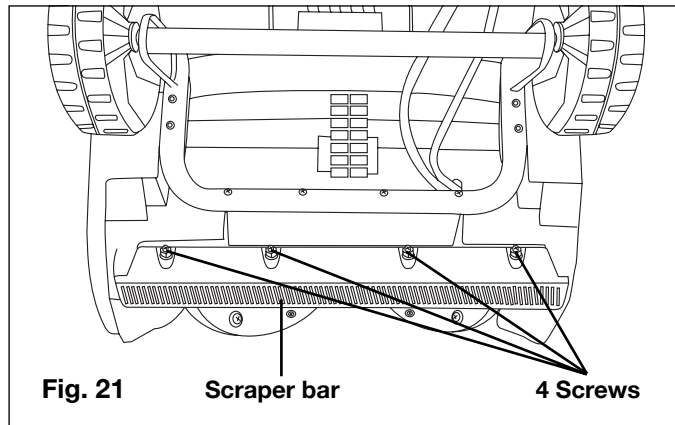
1. Detach the worn rubber plate assembly by removing the 8 sets of nuts and bolts used to secure it (Figs. 18 & 19).



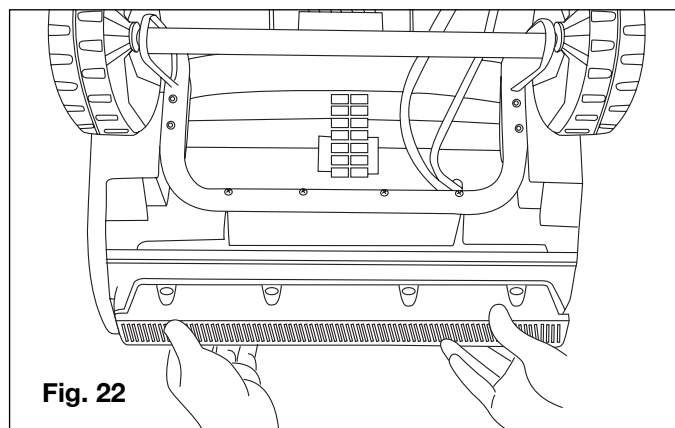
3. Install the new rubber plate assembly by tightening the 8 sets of nuts and bolts on both sides (Fig. 18).

## Replacing the Scraper Bar

1. The scraper bar is located at the base of the snow blower beneath the rotor housing (Fig. 21).



2. Detach the worn scraper bar from the snow blower by removing the 4 screws that hold it in place (Fig. 22).



3. Install the new scraper bar and fasten it securely to the snow blower with 4 screws (Fig. 21).

## Storage

1. Clean the snow blower before storing or transporting. Be sure to secure the unit while transporting.
2. Remove the battery and the safety key from the snow blower.
3. Inspect the snow blower carefully for worn, loose, or damaged parts. Check connections and screws and tighten if necessary. For repairing or replacing parts, contact your Snow Joe® dealer or Snow Joe® customer service center at 1-866-766-9563.
4. Store the unit in a locked, dry place out of the reach of children to prevent unauthorized use or damage. Cover loosely with a tarp for added protection.

## Battery/Charger Off-Season Storage

1. Do not expose your battery pack or charger to water, rain, or allow them to get wet. This could permanently

damage the charger and the battery pack. Do not use oil or solvents to clean or lubricate your battery pack as the plastic casing can become brittle and crack, causing a serious risk of injury.

2. Store the battery pack and charger at room temperature away from moisture. Do not store in damp locations where corrosion of terminals may occur. As with other battery pack types, permanent capacity loss can result if the pack is stored for long periods of time at high temperatures (over 120°F (49°C)). Snow Joe® iBAT40 lithium-ion battery packs maintain their charge during storage longer than other battery pack types. After about a year of storage, charge the pack as you normally would.
3. As a general practice, it is best to unplug battery chargers and remove battery packs when they are not in use. However, battery pack damage will not occur if the charger and battery pack are left plugged in.

## Environmentally Safe Battery Disposal

Always dispose of your battery pack according to federal, state, and local regulations. Contact a recycling agency in your area for recycling locations.

**⚠ CAUTION!** Even discharged battery packs contain some energy. Before disposing, use electrical tape to cover the terminals to prevent the battery pack from shorting, which could cause a fire or explosion.

**⚠ WARNING!** To reduce the risk of injury or explosion, never burn or incinerate a battery pack even if it is damaged, dead, or completely discharged. When burned, toxic fumes and materials are emitted into the surrounding atmosphere.

## Service and Support

If your Snow Joe® iON18SB snow blower requires service or maintenance, please call 1-866-766-9563 for assistance.

## Model and Serial Numbers

When contacting the company, reordering parts, or arranging service from an authorized dealer, you will need to provide the model and serial numbers, which can be found on the decal on the main cover of the unit of the discharge chute. Copy these numbers into the space provided below.

Record the following numbers from the housing or handle of your new product:	
Model #:	i   O   N   1   8   S   B
Serial #:	_____

## NOTES

---

---

---

---

---

---

---

---

---

---

---

---

---

---

---

---

---

---

---

---

---

---

---

---

---

---

---

---



## A Two-Year Full Warranty for residential use in the United States and Canada



### General Conditions:

Snow Joe®, LLC warrants this product to the original purchaser for two years against defects in material or workmanship when used for normal residential purposes. Snow Joe®, LLC will repair any defect in material or workmanship, and repair or replace any defective part, subject to the conditions, limitations, and exclusions set forth herein. Such repair or parts replacement will be free from charge to the original purchaser except noted below.

The duration of the warranty applies only if the product is put to personal use around the household or residence. If the product is put to any business use, commercial or industrial, then the duration of this warranty is 90 days from the date of original purchase. If any product is rented or leased, the duration of the warranty is 90 days from the date of original purchase.

It is the owner's responsibility to perform correctly all maintenance, and minor adjustments explained in the owner's manual.

### Electric Products:

To obtain a replacement electric powered unit or repair the existing electric powered unit, you must return the complete unit and postage prepaid to: **Snow Joe Return Center, 86 Executive Avenue, Edison, NJ 08817.**

### Gasoline / Battery Products:

#### Limitations

- Batteries are warranted only for the period of 12 months after the date of purchase on a prorated basis. Rechargeable batteries will be replaced free from charge during the first 90 days. After the initial 90 days, batteries will be replaced at a prorated cost to the customer.
- Idlers, cables, and electrical components are warranted to the original purchaser for use at household or residence for a period of two years.

#### Exclusions

- Snow Joe® brand engines are covered under this warranty. All other engines and engine accessories are covered only by the engine manufacturer's warranty and are not covered by this warranty.
- Parts used that are not genuine Snow Joe® parts are not covered by this warranty.
- Damages resulting from misuse, alteration, improper assembly, improper adjustment, neglect, or accident which requires repair is not covered under this warranty.
- Belts, augers, and tines are not covered under warranty – belts, augers, and tines wear out and can be purchased at [www.snowjoe.com](http://www.snowjoe.com) or by calling 1-866-766-9563.

Snow Joe®, LLC may from time to time change the design of its products. Nothing contained in this warranty shall be construed as obligating Snow Joe®, LLC to incorporate such design changes into previously manufactured products, nor shall such changes be construed as an admission that previous designs were defective.

This warranty is intended to cover product defects only. Snow Joe®, LLC is not liable for indirect, incidental, or consequential damages in connection with the use of the Snow Joe® Products covered by this warranty. This warranty does not cover any cost or expense incurred by the purchaser in providing substitute equipment or service during reasonable periods of malfunction or non-use of this product, while waiting for completion of repairs under this warranty. Some states do not allow exclusions of incidental or consequential damages, so the above exclusions may not apply in all states. This warranty may give you specific legal rights in your state.

**If you wish to contact Snow Joe®, please direct inquiries to the:  
Customer Service Department  
Snow Joe Center  
86 Executive Avenue  
Edison, NJ 08817**

Customers who have purchased Snow Joe® products exported from the United States and Canada should contact their Snow Joe® Distributor (Dealer) to obtain information applicable for your country, province, or state. If for any reason, you are not satisfied with the distributor's service, or if you have difficulty obtaining warranty information, contact your Snow Joe® seller. If in the event your efforts are unsatisfactory, please write to the Snow Joe® Center at the above address.

If you have any questions about your product warranty, please call 1-866-SNOW-JOE or visit us online at [www.snowjoe.com](http://www.snowjoe.com).