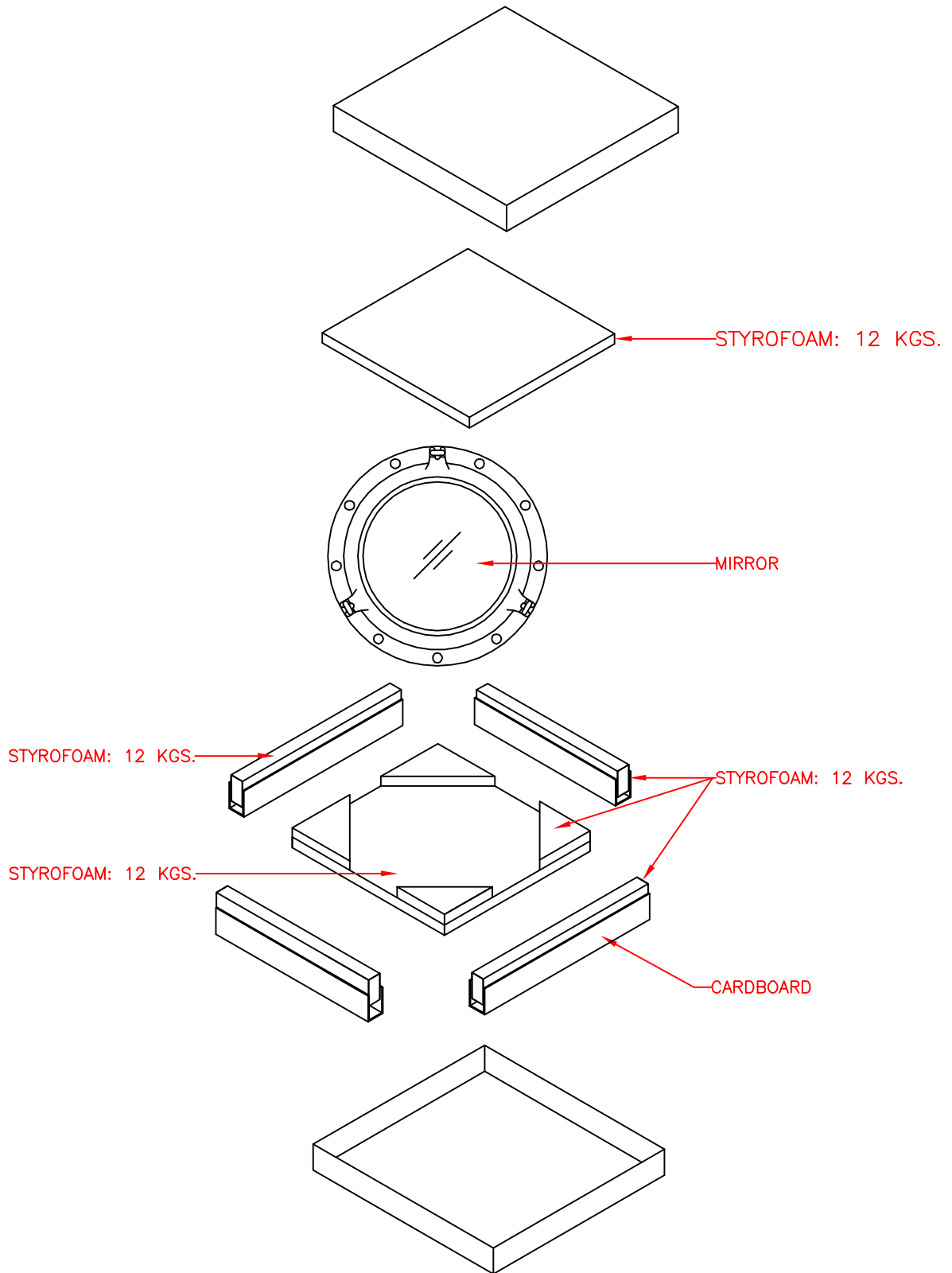
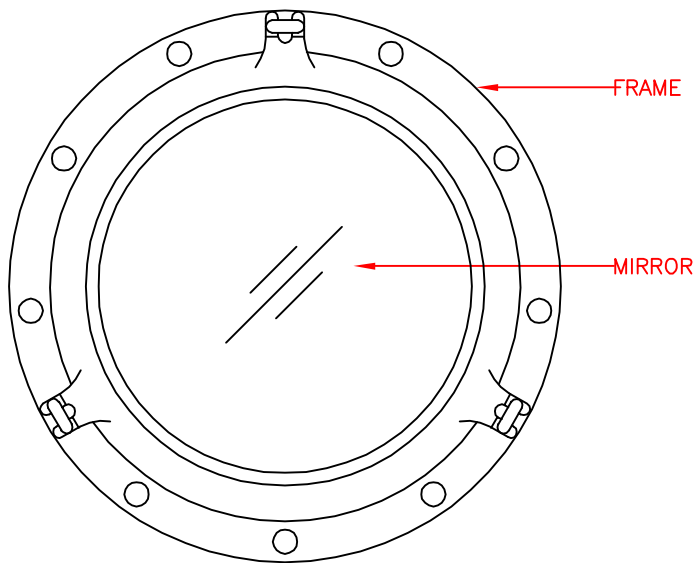


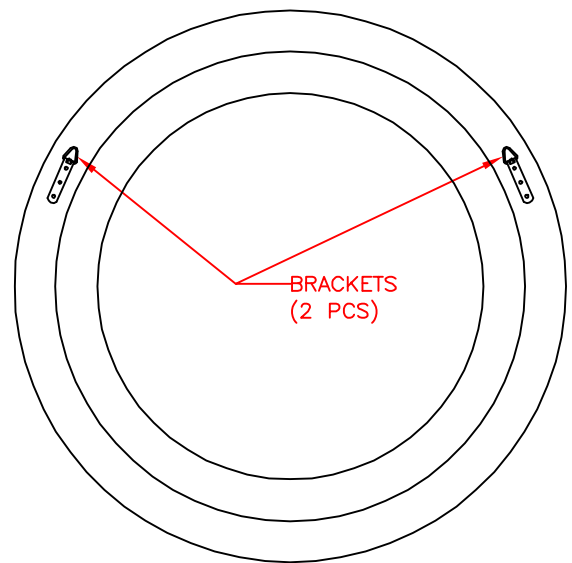
MODEL: 60047

PACKING DIAGRAM





FRONT VIEW:



BACK VIEW:

## ASSEMBLY INSTRUCTIONS

READ AND SAVE THESE INSTRUCTIONS

### UNPACK THE MIRROR

YOU SHOULD HAVE RECEIVED A MIRROR IN THE PACKAGE, TO PROTECT THE FINISH, PLACE THE MIRROR ON A SOFT SURFACE.

### MOUNT THE MIRROR

1. INSTALL WALL ANCHORS IN WALL AND HANG MIRROR SECURELY ON BRACKETS.

NOTE: HARDWARE NOT INCLUDED. CONTACT YOUR LOCAL HARDWARE PROFESSIONAL TO CHOOSE AN ATTACHMENT MECHANISM APPROPRIATE FOR YOUR WALL.