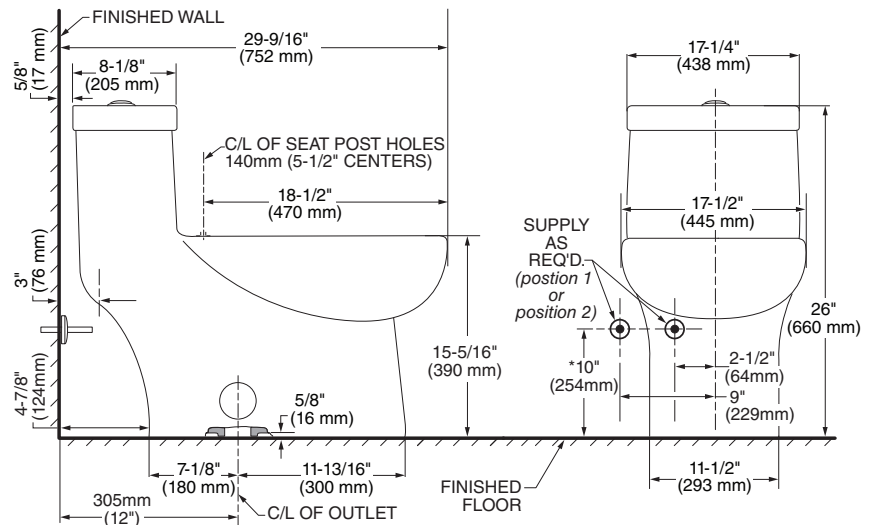


TOFINO DUAL FLUSH ELONGATED ONE PIECE TOILET WITH SEAT

- ☐ **2996C.206** Elongated Bowl
 - One piece toilet with seat
 - 12" (305mm) rough-in
 - Siphon action jetted bowl with smooth-sided base for easy cleaning
 - High efficiency, Low Flush 1.1gpf/4.1Lpf for small jobs or the Heavy Flush of 1.6 gpf/6.0Lpf
 - **Meets EPA WaterSense® Criteria**
 - PowerWash® rim scrubs bowl with each flush
 - 15-1/4" (387mm) rim height
 - Fully-glazed 2" trapway
 - Oversized 3" flush valve
 - Generous 9" x 7-3/4" water surface area
 - Includes slow close seat and cover
 - Chrome-plated top mounted push button actuator
 - 2 color matched bolt hole covers
 - 1 year warranty on entire toilet



IMPORTANT: Water supply on the wall is required at 2-1/2" (64mm) or 9" (229mm) from centerline of the toilet (see rough-in). First suggested position is hidden behind the toilet. The geometry of the toilet gives space for this installation. The second suggested position is next to the toilet. Between these two positions, the space for the supply between wall and toilet is limited to 4-7/8" (124mm). In this case, check your supply and hose dimensions.

Compliance Certifications - Meets or Exceeds the Following Specifications:

- ASME A112.19.2/CSA B45.1 for Vitreous China Fixtures

NOTES:
THIS TOILET IS DESIGNED TO ROUGH-IN AT A MINIMUM DIMENSION OF 305MM (12") FROM FINISHED WALL TO C/L OF OUTLET.
* DIMENSION SHOWN FOR LOCATION OF SUPPLY IS SUGGESTED.

IMPORTANT: Dimensions of fixtures are nominal and may vary within the range of tolerances established by ANSI Standard A112.19.2. These measurements are subject to change or cancellation. No responsibility is assumed for use of superseded or voided pages.

To Be Specified
☐ Color: ☐ White

