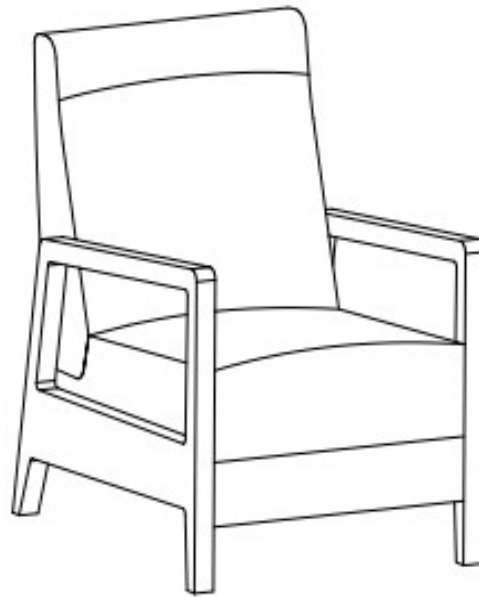


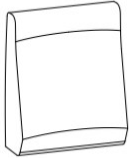
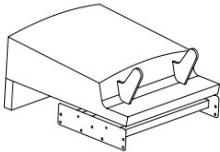

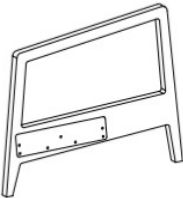
Assembly Instructions

Caution: You must read this before you proceed

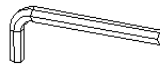



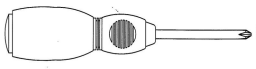


Recliner



Parts List

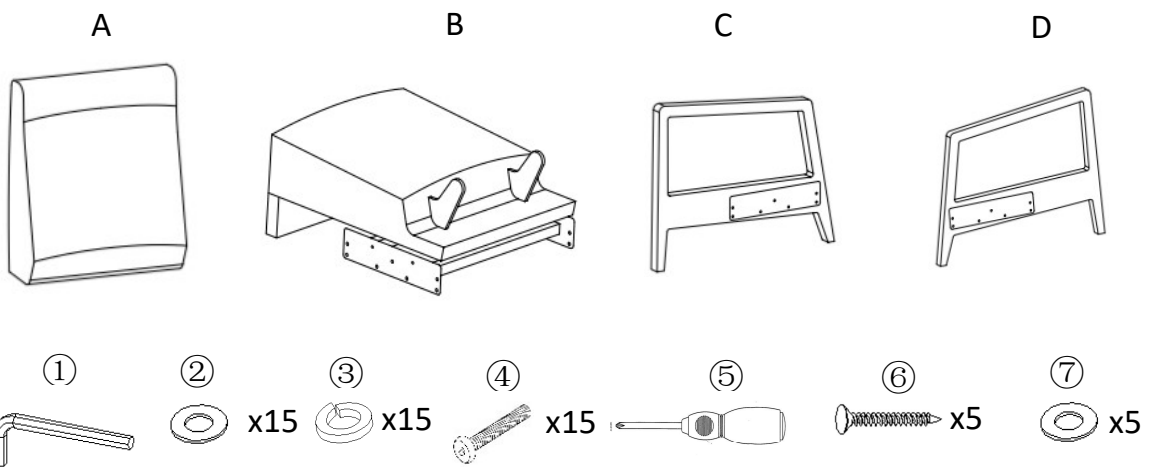
Label	Picture	Description	QTY
A		Chair Backrest	1
B		Chair Base with Footrest	1
C		Left Arm	1
D		Right Arm	1

Hardware

①		Allen Wrench	1
②		Washer(Ø8MM)	15
③		Spring Washer(Ø 8MM)	15
④		Bolt (M8*25MM)	15
⑤		Cross Screwdriver	1
⑥		Self-tapping screw(M5*25MM)	5
⑦		Washer(Ø5MM)	5

Assembly Preparation

Before Beginning Assembly:



- Read instructions, cover to cover-



- Have 2 adults on hand for assembly-



- Do not assemble on flooring or carpet-



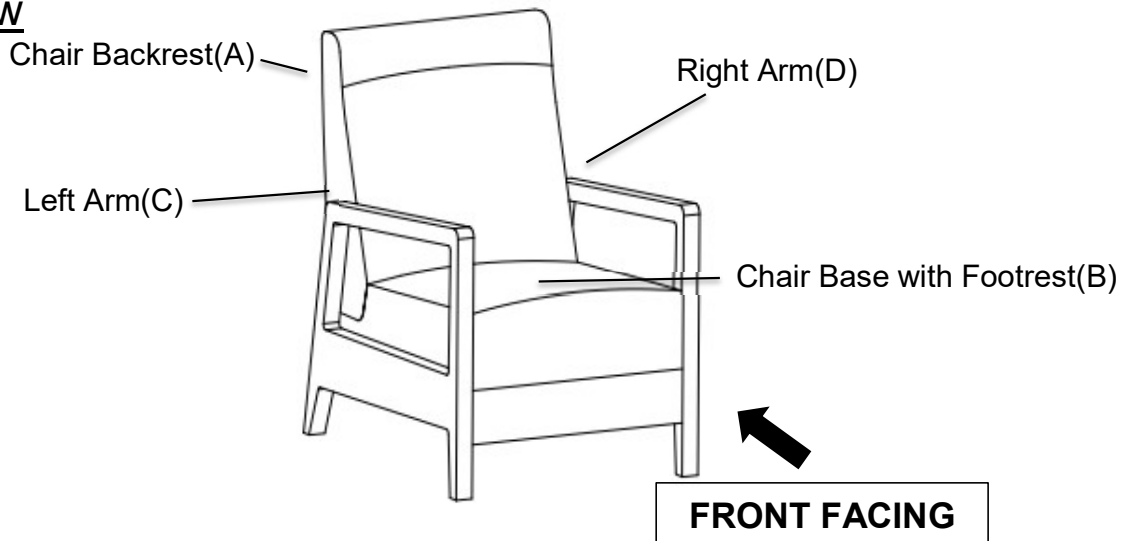
- Assemble on a clean non-marring surface (packing foam)-



- Save all packaging until finished-

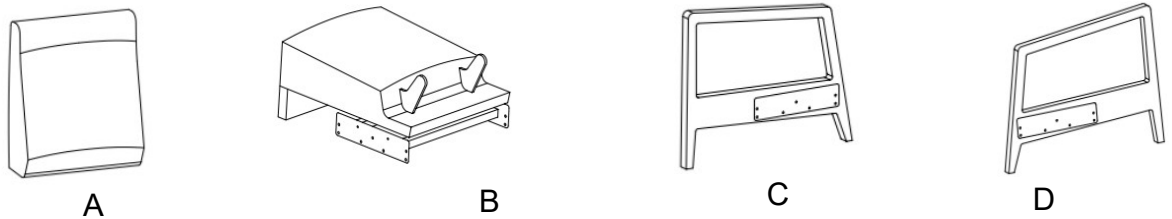
Assembly Steps

Overview



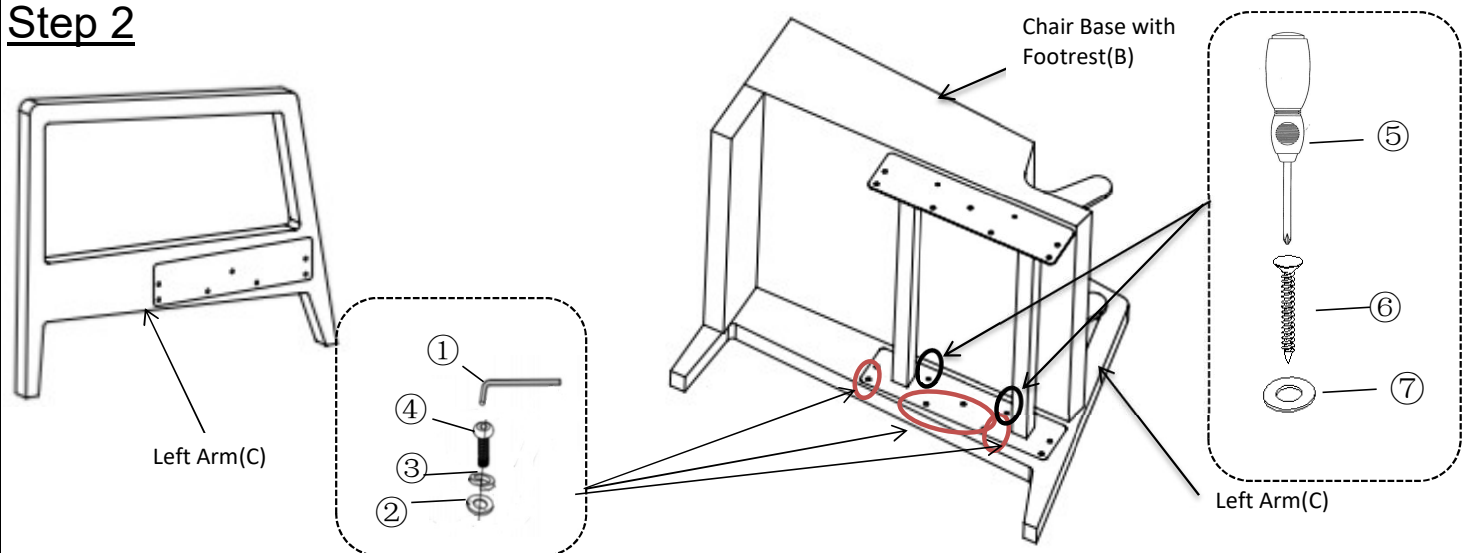
This Recliner has multiple parts and may require up to 30 minutes to assemble. To give you an overview of the Reclining Chair parts, the above picture is to help you put the various parts into perspective. Please read through the instructions below to familiarise yourself with the parts and steps before assembly.

Step 1



Place the Chair Backrest(A), the Chair Base with Footrest(B), the Left Arm(C) and the Right Arm(D) on a clean, non-marring surface.

Step 2



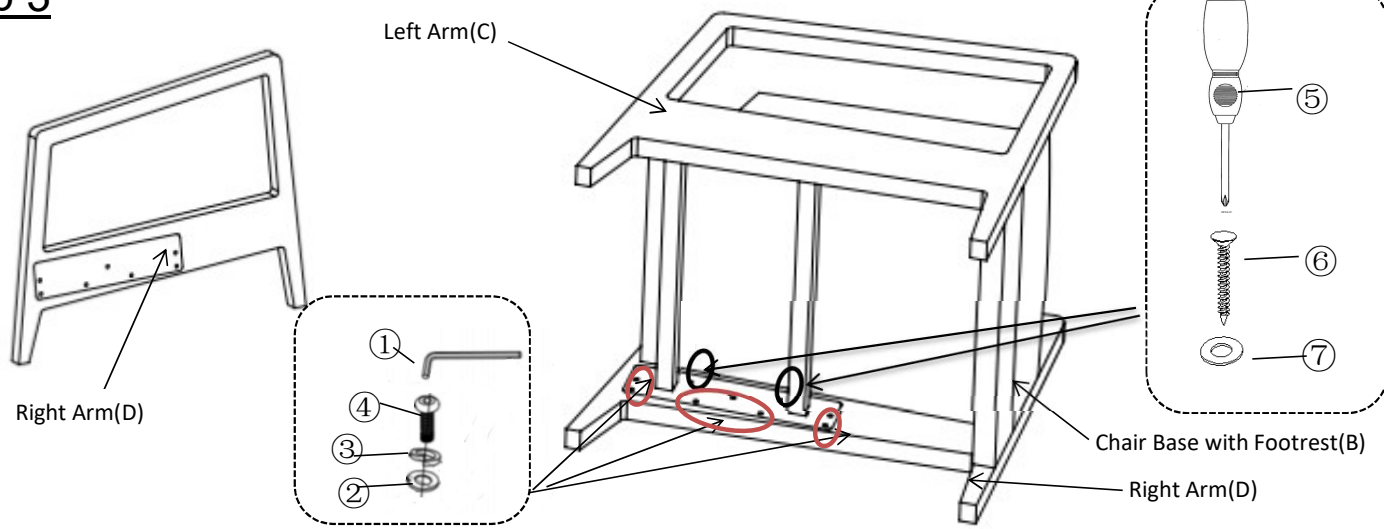
Take out the Left Arm(C) and Right Arm(D) from the non-woven bags.

Position the Chair Base with Footrest(B) as shown.

Attach the Left Arm(C) to the Chair Base with Footrest(B) using a Bolt(4), Spring Washers (3) and Washer(2) with the Allen Wrench(1).

Also use the Self-tapping screw(6) and Spring Washer(7) with the Cross Screwdriver(5) where indicated in the above picture.

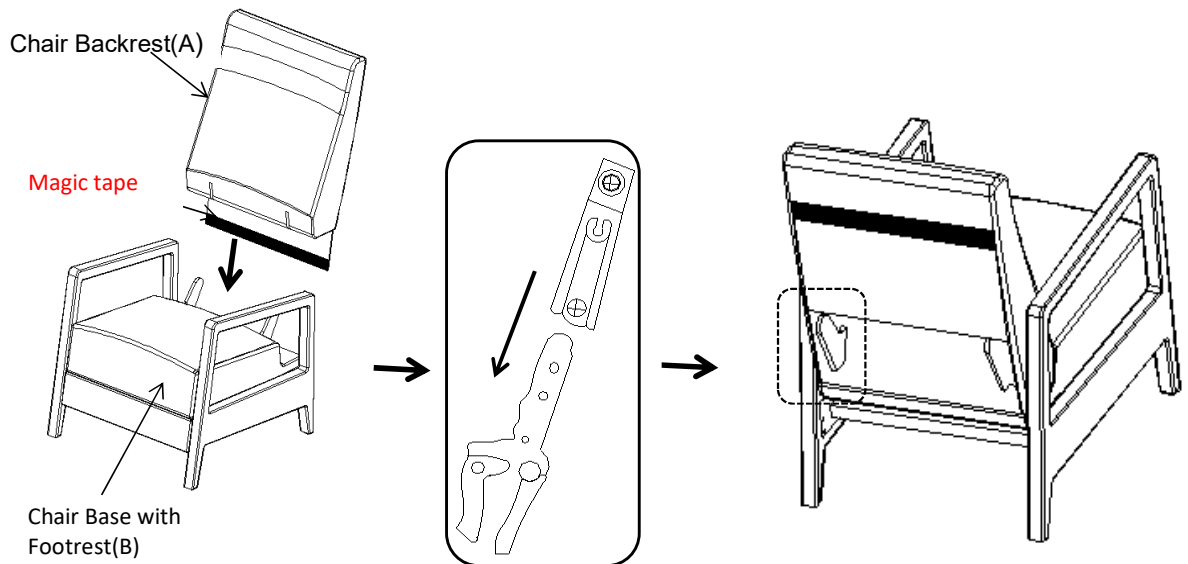
Step 3



Repeat the same steps to install the Right Arm(D) .

Use a Self-tapping screw(⑥) and Spring Washer(⑦) with the Cross Screwdriver(⑤) to lock the remaining 2 holes

Step 4

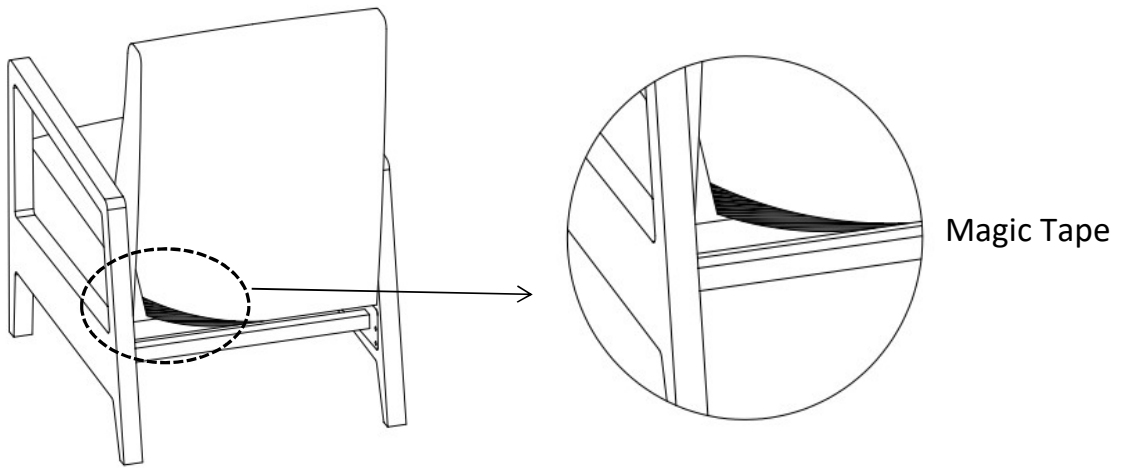


With assistance from your adult partner, hold up the Chair Backrest(A) while standing behind the Chair Base with Footrest(B).

Insert the small metal arms on the sides of the Chair Backrest(A) into the prefabricated slide lock gadget on the Chair Base with Footrest(B) as shown above.

Firmly but gently, push the Chair Backrest(A) downwards until the Chair Backrest(A) until it is fully slotted and locked into position.

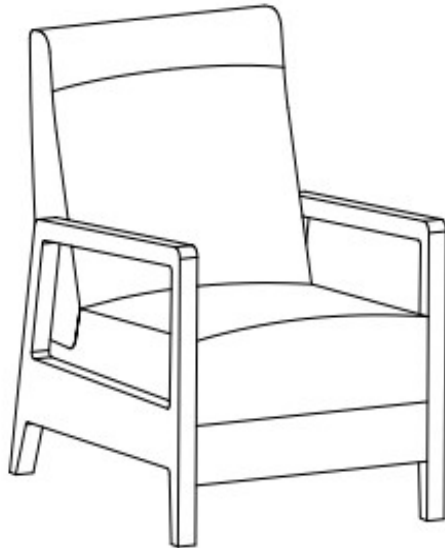
Step 5



Smooth down the fabric flap on the Chair Backrest(A).

Run your hands down both sides of the flap, from top to bottom, allowing the Magic Tape to adhere to the flap under the seat of the Chair.

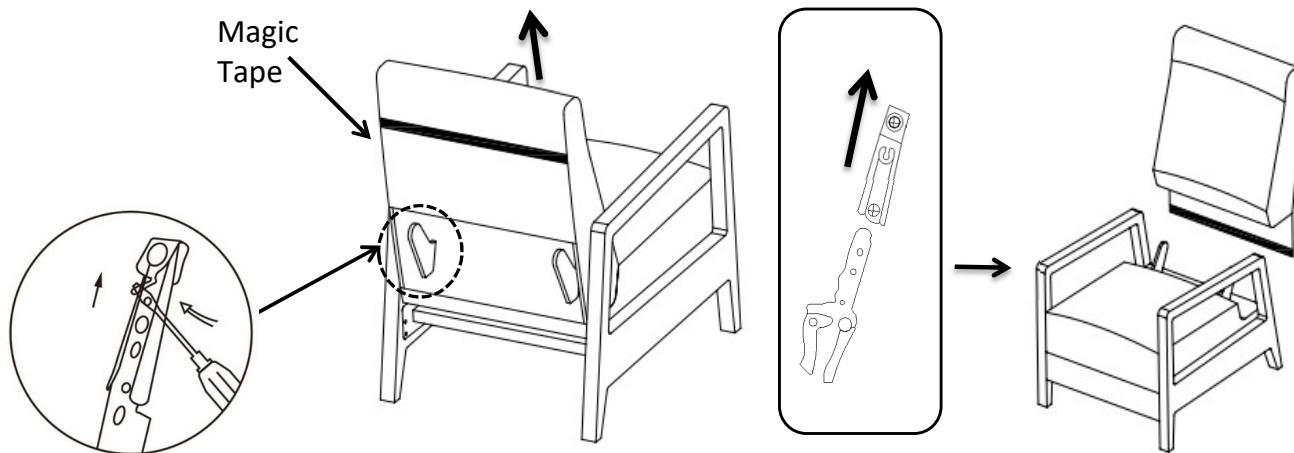
Step 6



Make sure all parts are connected and securely locked into position.
Your Recliner is ready for use.

This Recliner can only be used on a flat, level surface.

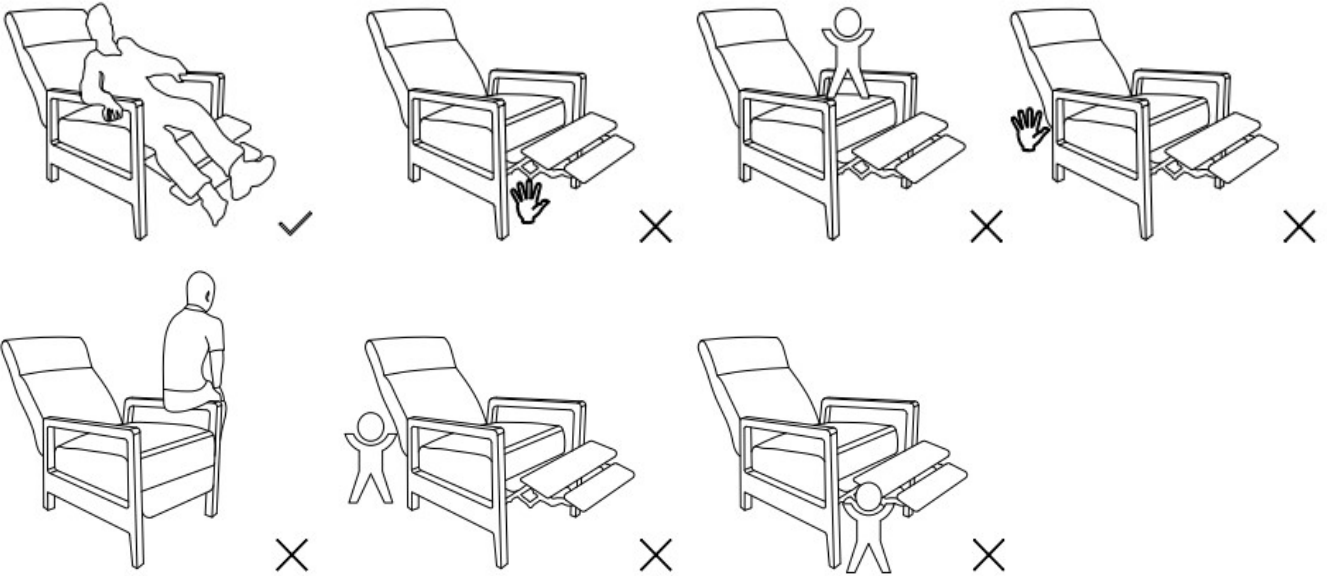
Disassembly Instructions



To Disassemble the Recliner:

Open the flap on the Chair Backrest(A), With the assistance of your adult partner to keep the Chair Base(B) in place, use a screwdriver (Don't use your fingers) to press outward on the metal ear on the preattached Metal Bracket on one side of the Chair Base(B), while at the same time, pull the Backrest(A) upwards. Repeat the same step for the other side. Then the Chair Backrest(A) can be taken out.

Warning



Do not allow children to play on the chair.
Always leave the Recliner in an upright and closed position after use!
Keep hands and feet clear of the footrest mechanism and ANY gaps.
Only the occupant should operate the Recliner.

User Instructions

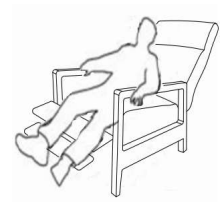
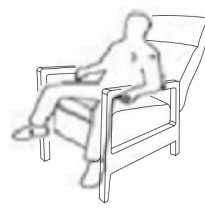
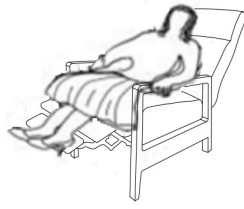
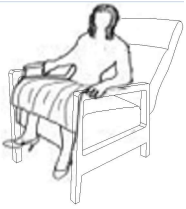
Recliner

Please read the Instruction Manual below carefully before use.

Supervise children's use of this Recliner.

To get into the Recline position:

Sit into the seat.
Open the trigger on the outside of the right armrest.
Use your body weight and push backwards into the seat into a fully reclined position.



To move the Recliner back into the Upright Position:

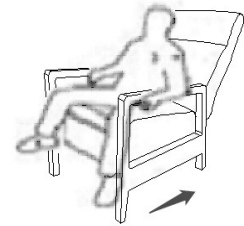
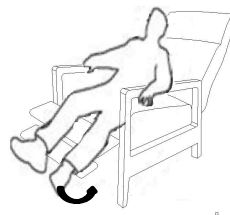
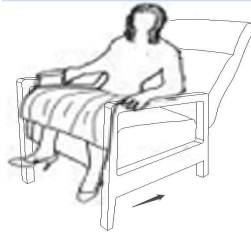
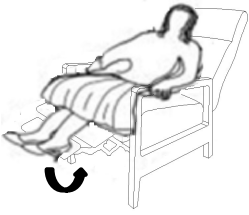
Tilt your body weight slightly forward and upwards.

The seat back will come up to an upright position.

Use your feet to push the Footrest down.

The Recliner will automatically lock when it is in the fully upright position.

Where necessary, use your arms to help lift/push yourself out of the seat



Care & Maintenance



- Furniture may scratch floors. We recommend using furniture pads to protect your floors.



- Do not put hot items directly on furniture surface.



- Do not clean furniture with harsh cleansers or polish.



- Do not place furniture under direct sunlight.



- Do not place furniture near heating or cooling vents.



- Do not write on furniture without a padded barrier to protect the surface.



- Do not place furniture outside . For indoor use only.



- Not for commercial use. For residential use only.



- Stains may be removed with mild soap solution and damp cloth.



- Children should not climb or jump on the furniture.



- Dust and pick-up spills using a clean, non-colored, lint-free cloth.