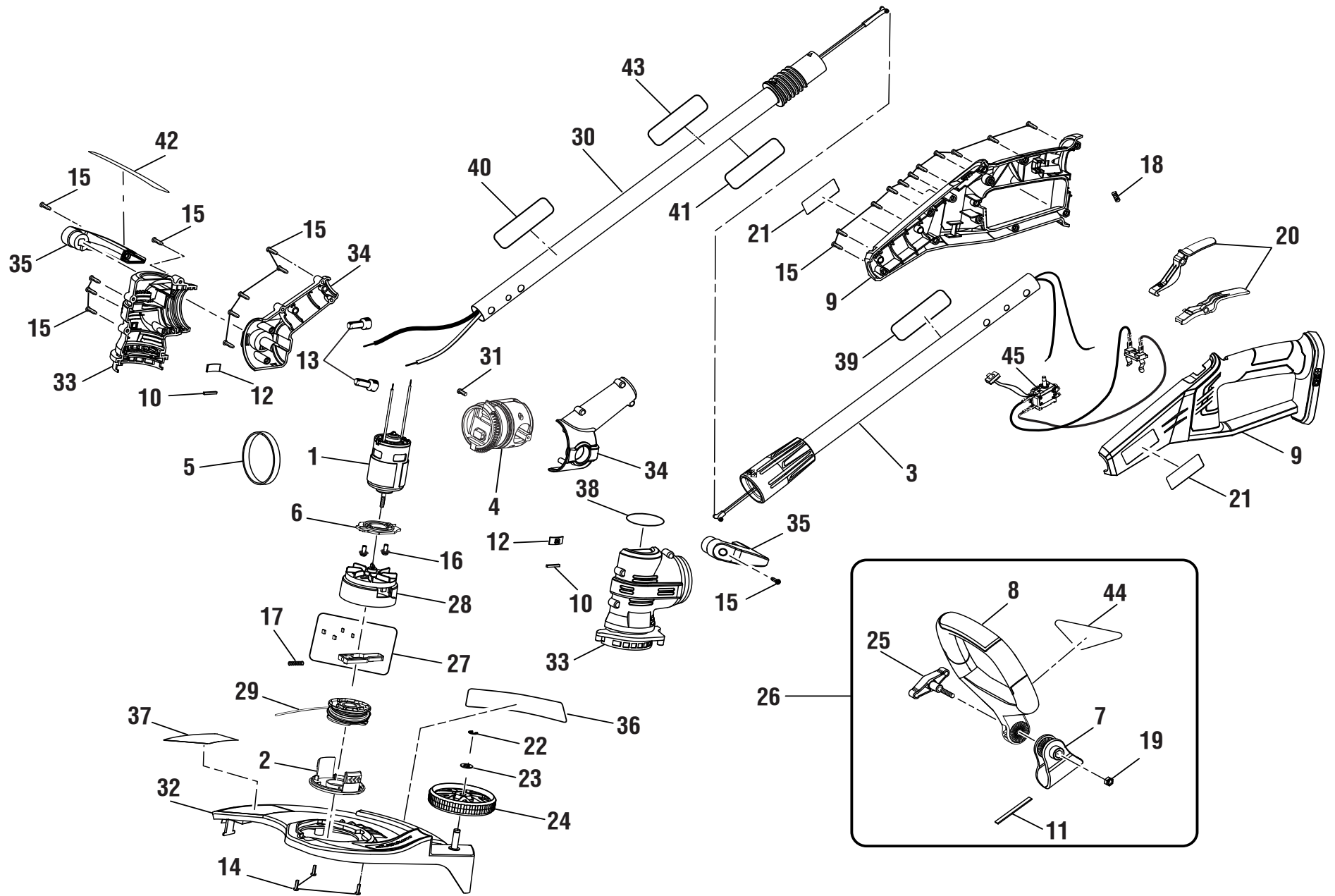


RYOBI
String Trimmer/Edger
Model Nos. P2008/P2008VNM
Mfg Nos. 107268001/107268101
Repair Sheet

TECHTRONIC INDUSTRIES POWER EQUIPMENT

P.O. Box 1288
Anderson, SC 29622 USA
1-800-860-4050
www.ryobitools.com

RYOBI STRING TRIMMER/EDGER - MODEL NOS. P2008/P2008VNM



RYOBI STRING TRIMMER/EDGER – MODEL NOS. P2008/P2008VNM

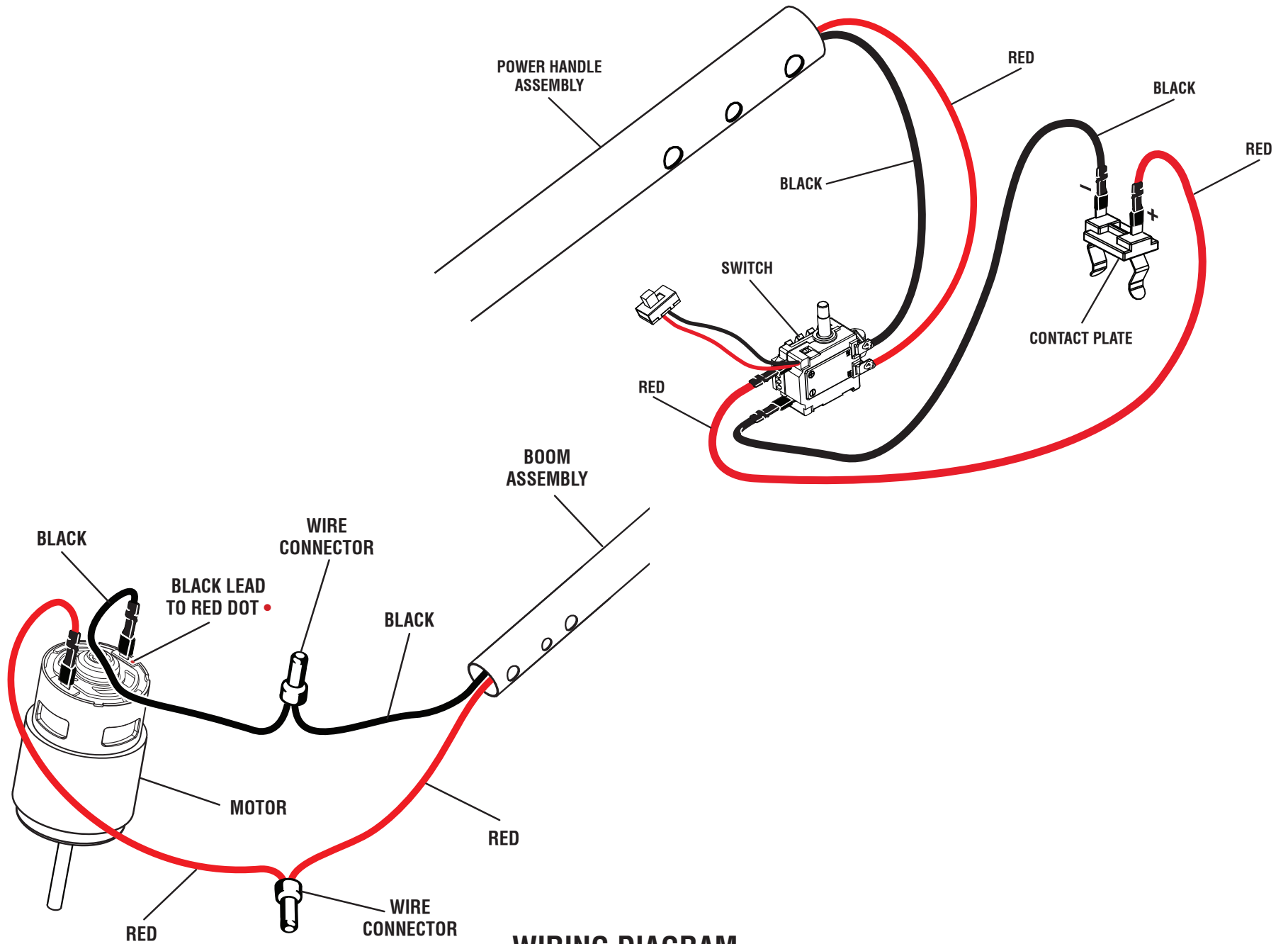
The model number will be found on a label attached to the upper boom. Always mention the model number in all correspondence regarding your **STRING TRIMMER/EDGER** or when ordering replacement parts.

PARTS LIST

KEY NO.	PART NUMBER	DESCRIPTION	QTY	KEY NO.	PART NUMBER	DESCRIPTION	QTY
1	742199001	Motor	1	26	351182001	Auxiliary Handle Assembly (Inc. Key Nos. 7-8, 11, 19, 25 and 44).....	1
2	***	Spool Cap (Item No. AC14HCA).....	1	27	310920001	Slider Assembly	1
3	311746001	Upper Tube and Wire Assembly (Inc. Key No. 39, P2008).....	1	28	524851002	Spool Base w/Fan	1
	205332001	Upper Tube and Wire Assembly (Inc. Key No. 39, P2008VNM).....	1	29	***	Spool w/Line Assembly (Item No. AC14RL3).....	1
4	351109001	Pivot Assembly	1	30	311747001	Lower Tube Assembly (Inc. Key Nos. 40-41 and 43)...	1
5	522923001	Plastic Ring.....	1	31	660004019	Screw (M3 x 12 mm, Pan Hd.).....	1
6	522926001	Motor Mounting Plate.....	1	32	351122001	Guard Assembly (Inc. Key Nos. 36-37)	1
7	522984001	Handle Bracket	1	33	351112001	Motor Housing Assembly (Inc. Key No. 38).....	1
8	351119001	Front Handle (Inc. Key No. 44)	1	34	351110001	Lower Housing Assembly	1
9	351113001	Handle Housing Assembly (Inc. Key No. 21).....	1	35	351106001	Adjustment Pedal Assembly.....	1
10	562079003	Rubber Plate (Motor Plate)	2	36	940851102	Auto Feed No Bump Label (Guard)	1
11	570112001	Rubber Plate (Handle Bracket).....	1	37	940851103	Adjustable Cutting Width Label	1
12	570815001	Rubber Plate (Motor)	2	38	940705309	Motor Housing Label	1
13	790009004	Wire Connector.....	2	39	941588104	Data Label (P2008)	1
14	660208055	Screw (M4 x 12 mm, Pan Hd.).....	3		941588563	Data Label (P2008VNM)	1
15	661817001	Screw (M4 x 14 mm, T14 Torx Pan Hd.).....	23	40	940705310	Ryobi 18 V Lithium Label.....	1
16	660502002	Screw w/Washer (M5 x 11 mm).....	2	41	940851101	Warning Translation Label	1
17	679034001	Compression Spring (Internal Tooth).....	1	42	941773001	Step For Edging Label.....	1
18	679406001	Compression Spring (Trigger).....	1	43	940657185	Warning Icon Label.....	1
19	680196006	Hex Nut (M6).....	1	44	940851105	Auto Feed No Bump Label (Handle).....	1
20	351183001	Switch Trigger and Lock-off Trigger	1	45	311895001	Switch and Contact Plate Assembly	1
21	940705308	Logo Label.....	2	Not Shown:			
22	679933001	E-Ring.....	1		311181001	Flail Blade Cap Accessory (Item No. ACFHRL2)	
23	678587002	Washer (OD16 x ID8.2 x 1.2t)	1		991000677	Operator's Manual	
24	522929001	Roller.....	1		6-23-20		
25	522983001	Knob Bolt (M6 x 1 in.)	1		(Rev:06)		

*** Standard Hardware Item – May Be Purchased Locally at The Home Depot

RYOBI STRING TRIMMER/EDGER – MODEL NOS. P2008/P2008VNM



WIRING DIAGRAM