



Count on it.

Parts Catalog

TimeCutter® 6000

Riding Mower

Model No. 75760—Serial No. 40000000 and Up



Ordering Replacement Parts

To order replacement parts, please supply the part number, the quantity, and the description of each part desired.

Understanding Reference Numbers

Each identified part in an illustration has a reference number. The reference number for a part also appears in the parts list, along with other information about the part.

This catalog uses two special reference number formats, one to indicate parts in a service assembly and another to indicate the quantity of a given part in an illustration.

Service Assembly Reference Numbers

Parts in service assemblies have reference numbers in the form a:b. The a represents the reference number of the entire service assembly and the b represents a sequential number unique to each part within the service assembly.

For example, a wheel assembly might be identified by reference number 6, the tire by 6:1, the valve by 6:2, and the wheel by 6:3. When you order the assembly identified by reference number 6, you receive all parts identified by reference numbers 6:1, 6:2, and 6:3. However, you may also order any part individually. Reference numbers of this type appear in illustration and in parts lists.

Reference Numbers Indicating Quantity

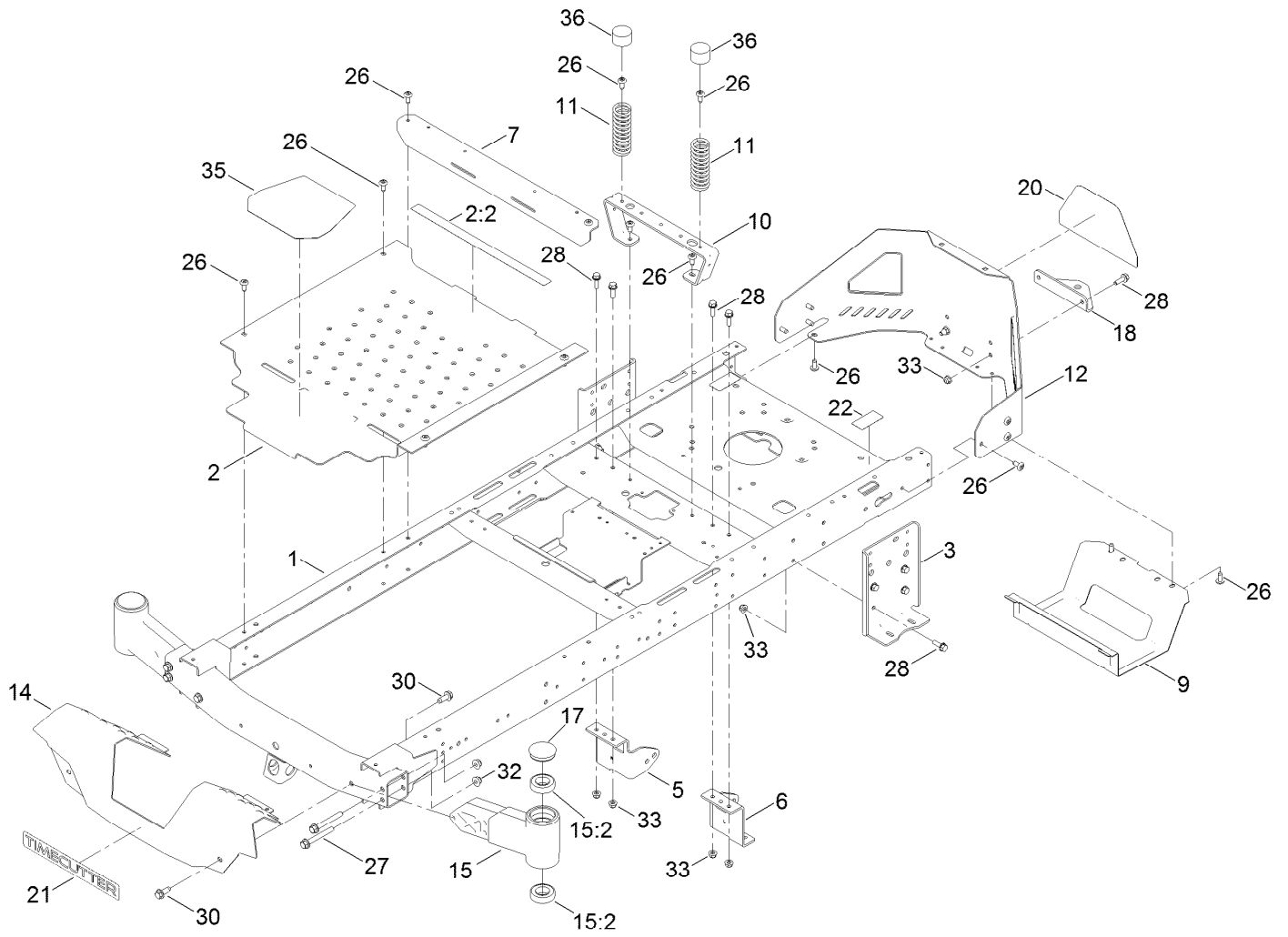
In an illustration, if a reference number indicates more than one part, the reference number has the form nX y. The n represents the quantity of the part, the X is the multiplication symbol, and the y represents the reference number.

For example, in an illustration, the reference number 2X 37 means that two of the parts identified by reference number 37 are indicated.

Contents

Frame Assembly	4
Deck Lift Assembly	6
Tire and Caster Assembly	8
Traction Drive Assembly	10
LH Transaxle Assembly No. 139-7490	12
RH Transaxle Assembly No. 139-7491	14
Parking Brake Assembly	16
Rear Tire Assembly	18
Seat Pan Assembly	20
Seat Assembly No. 140-5043	22
Motion Control Assembly	24
Engine and Muffler Assembly	26
Fuel System Assembly with Non-Canister Style Air Filter	28
Carburetor Assembly	30
Air Intake and Filtration Assembly	32
Ignition and Cooling Fan	34
Crankcase and Crankshaft Assembly	36
Governor Control Assembly	38
Piston and Cylinder Head Assembly	40
Blower Housing Assembly	42
Gasket and Seal Kit	44
Body Styling and Fuel Pod Assembly	46
Electrical Assembly	48
60 Inch Deck and Decal Assembly	50
Frame Decal Assembly	52
Clutch Assembly	54
Attachments and Accessories	56

Frame Assembly



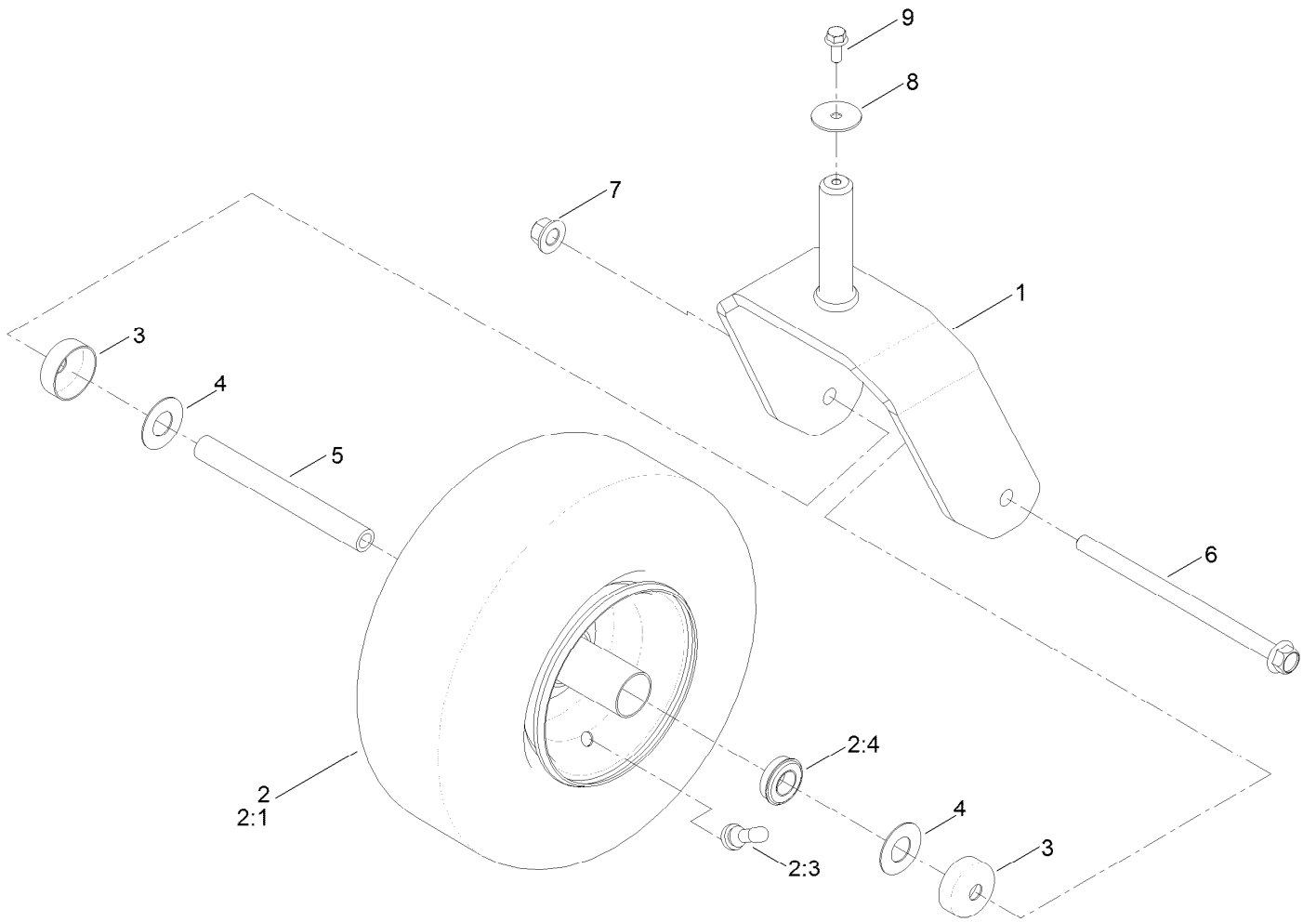
Frame Assembly (continued)

<i>Ref.</i>	<i>Part Number</i>	<i>Qty.</i>	<i>Description</i>	<i>Ref.</i>	<i>Part Number</i>	<i>Qty.</i>	<i>Description</i>
1	137-9820-01	1	Frame Assembly	17	138-7200	2	Cap-Grease
2	140-5045	1	Pan-Floor ASM	18	117-1232-03	1	Bracket-Hitch
2:2	135-3295	1	Decal-Warning	20	139-5890	1	Decal-Timecutter
3	138-7520-01	2	Plate-Mount, Hydro	21	139-2387	1	Decal-Timecutter
5	137-7020-01	1	Mount-Hydro, Front (Right)	22	121-2989	2	Decal-Bypass
6	139-3211-01	1	Mount-Hydro, Front (Left)	26	138-9753	20	Screw
7	138-9791-01	1	Brace-Cross	27	139-2429	4	Screw-HHF
9	138-0867-03	1	Guard-Muffler	28	3234-29	14	Screw-HHF
10	138-6036-03	1	Support-Seat	30	139-2428	4	Screw-HWH
11	138-2548	2	Spring-Compression	32	139-2430	4	Nut-HF, NI
12	138-9820-03	1	Guard-Engine	33	104-8300	14	Nut-HF, NI
14	138-9827-01	1	Footrest	35	139-3220	1	Tread-Step
15	140-2097	2	Axle Stub ASM	36	701178	2	Cap-Protector
15:2	109-3678	2	Bearing-Ball				

Deck Lift Assembly (continued)

<i>Ref.</i>	<i>Part Number</i>	<i>Qty.</i>	<i>Description</i>	<i>Ref.</i>	<i>Part Number</i>	<i>Qty.</i>	<i>Description</i>
1	138-2503-03	1	Pivot Front ASM	14	1-806005	4	Pin-Cotter
2	138-9804-03	4	Support-Cross, Shaft	15	138-9753	18	Screw
3	138-2504-03	1	Rear Pivot ASM	17	3234-42	4	Screw-HHF
4	137-5091-03	1	Link-HOC	18	137-9847	6	Screw-Shoulder
5	137-5092-03	1	Bracket-HOC	19	109-9840	4	Screw-Shoulder, HHF
6	137-7001-03	4	Link-Decklift	21	3256-26	4	Washer-Flat
7	139-5872	4	Bearing-Flange	24	104-8301	14	Nut-HF, NI
8	138-7204	4	Gusset-Deck Lift	26	139-5892	1	Decal-HOC
9	139-2435-03	1	Pan-Deck Pivot	28	139-5804-03	1	Bracket-HOC
10	139-3200-01	1	Mount-Pan, LH	31	139-7452	1	Pedal-Foot Lift
11	139-3201-01	1	Mount-Pan, RH	35	139-2597	1	Screw-HHF
12	140-2146	1	HOC Pin ASM	36	43-0940	4	Spacer

Tire and Caster Assembly

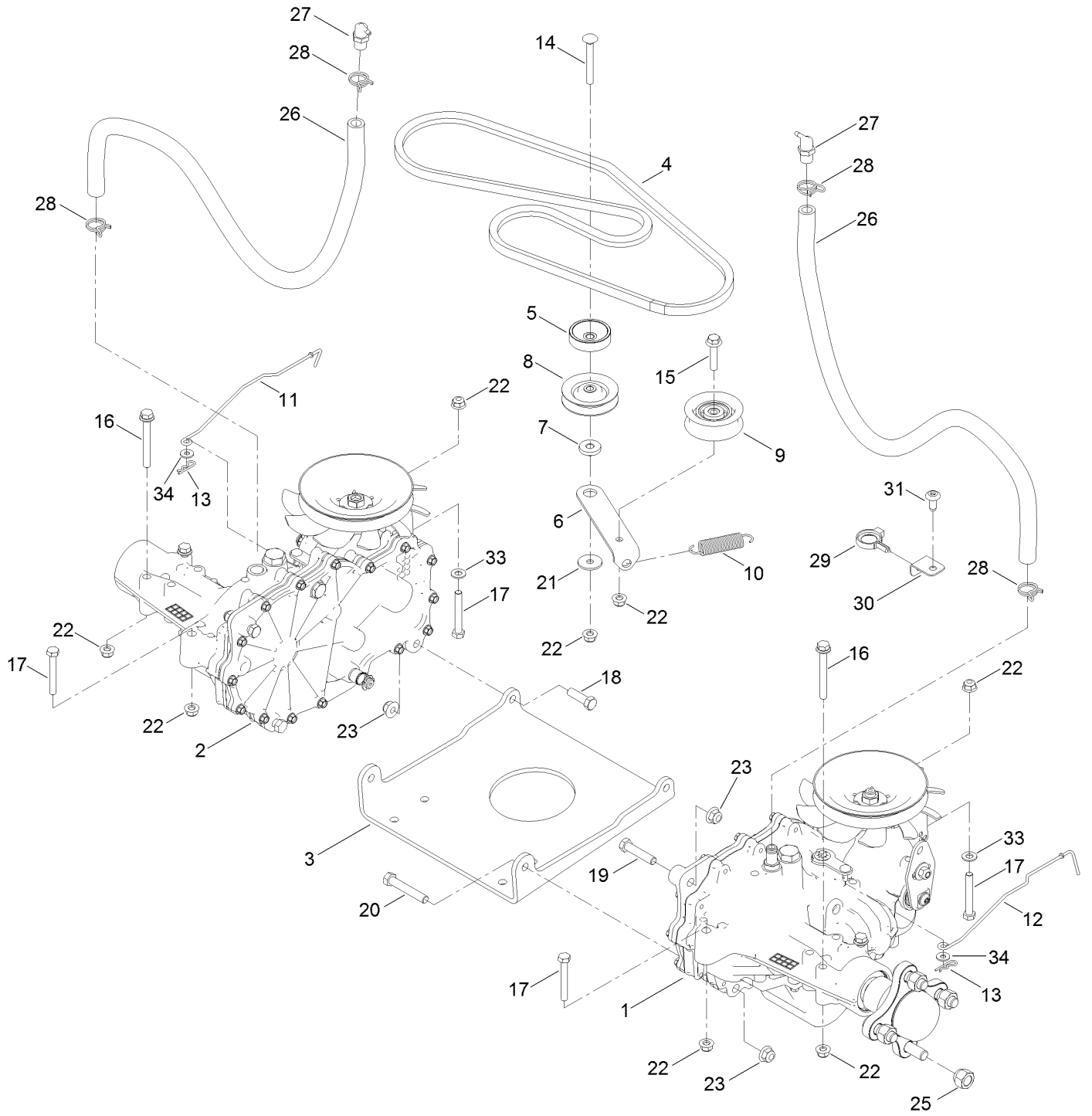


Tire and Caster Assembly (continued)

<i>Ref.</i>	<i>Part Number</i>	<i>Qty.</i>	<i>Description</i>	<i>Ref.</i>	<i>Part Number</i>	<i>Qty.</i>	<i>Description</i>
1	133-4375-01	2	Fork ASM	4	136-5590	4	Washer
2	139-5844	2	Tire ASM	5	133-4487	2	Spanner-Wheel
2:1	125-5581	1	Tire	6	126-5389	2	Screw-HHF
2:3	232-27	1	Stem-Valve	7	99-5107	2	Nut-Lock
2:4	136-4190	2	Bearing	8	3256-68	2	Washer-Flat
2:99	232-46	1	Tube-Inner ●	9	3234-47	2	Screw-HHF
3	138-7208	4	Guard-Seal				

● Not illustrated

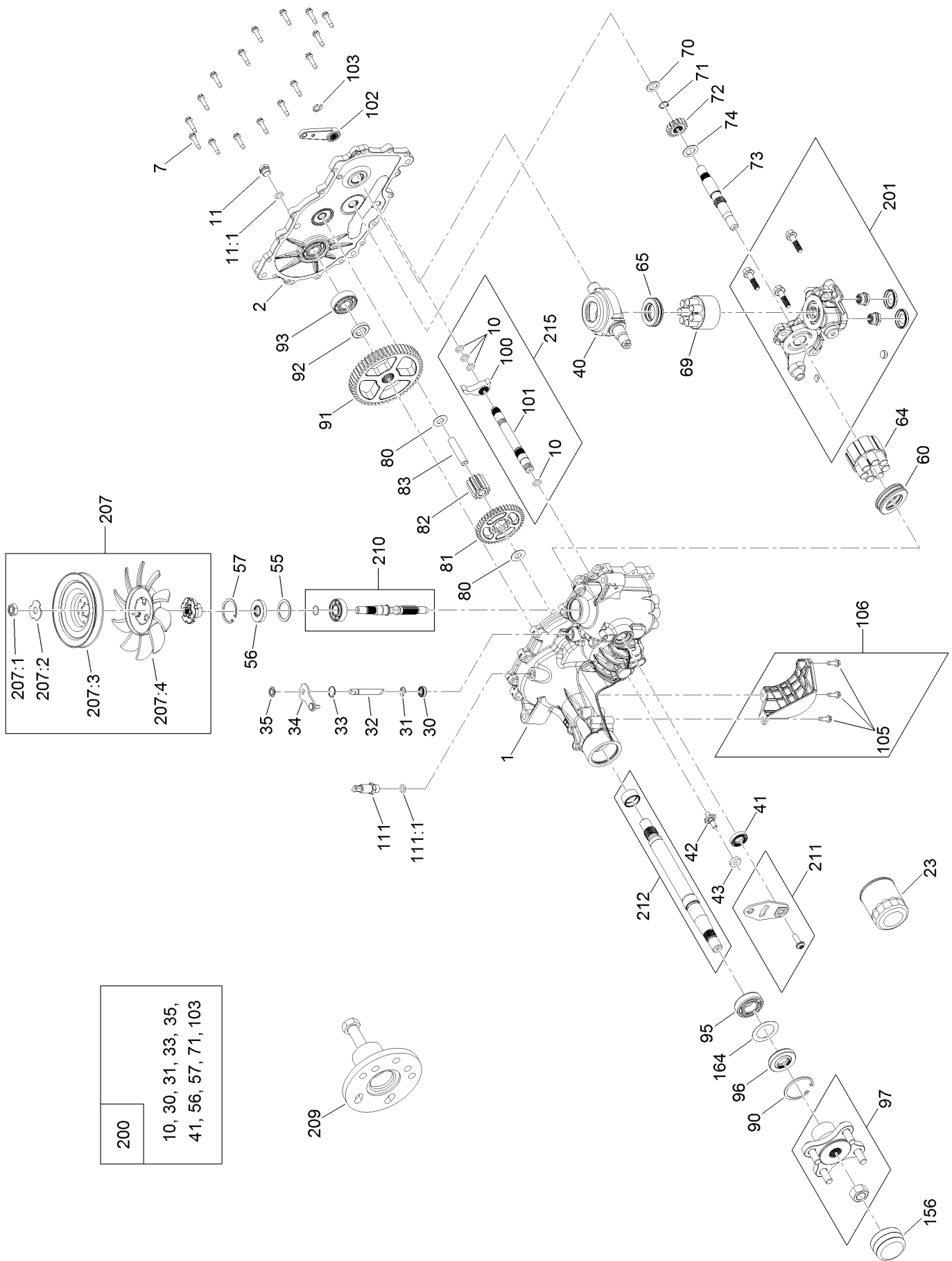
Traction Drive Assembly



Traction Drive Assembly (continued)

<i>Ref.</i>	<i>Part Number</i>	<i>Qty.</i>	<i>Description</i>	<i>Ref.</i>	<i>Part Number</i>	<i>Qty.</i>	<i>Description</i>
1	139-7490	1	LH Hydro Transaxle ASM	17	322-11	4	Screw-HH
2	139-7491	1	RH Hydro Transaxle ASM	18	323-7	2	Screw-HH
3	137-7014-01	1	Plate- Hydro	19	323-9	2	Screw-HH
4	140-2700	1	V-Belt	20	323-11	2	Screw-HH
5	138-9809	1	Spacer	21	5-4460	1	Washer-Pivot
6	138-7276	1	Arm-Idler	22	104-8300	10	Nut-HF, NI
7	138-7277	1	Spacer-Arm, Idler	23	104-8301	6	Nut-HF, NI
8	68-0030	1	Idler	25	242-50	8	Nut-Lug
9	138-7597	1	Pulley-Idler, Flat	26	136-4182	2	Hose-Hydro
10	137-7040	1	Spring-Return, Pedal	27	136-4183	2	Breather Kit
11	130-7047	1	Rod-Bypass, RH	28	138-7211	4	Clamp-Hose
12	130-7048	1	Rod-Bypass, LH	29	105-1853	2	Clamp-Hose
13	3290-307	2	Pin-Cotter	30	139-7464-03	2	Mount-Bracket
14	3230-8	1	Screw-CARR	31	138-9753	2	Screw
15	115-1794	1	Screw-HHF	33	3256-23	2	Washer-Plain
16	138-7590	4	Screw-HHF	34	119-8952	2	Washer

LH Transaxle Assembly No. 139-7490

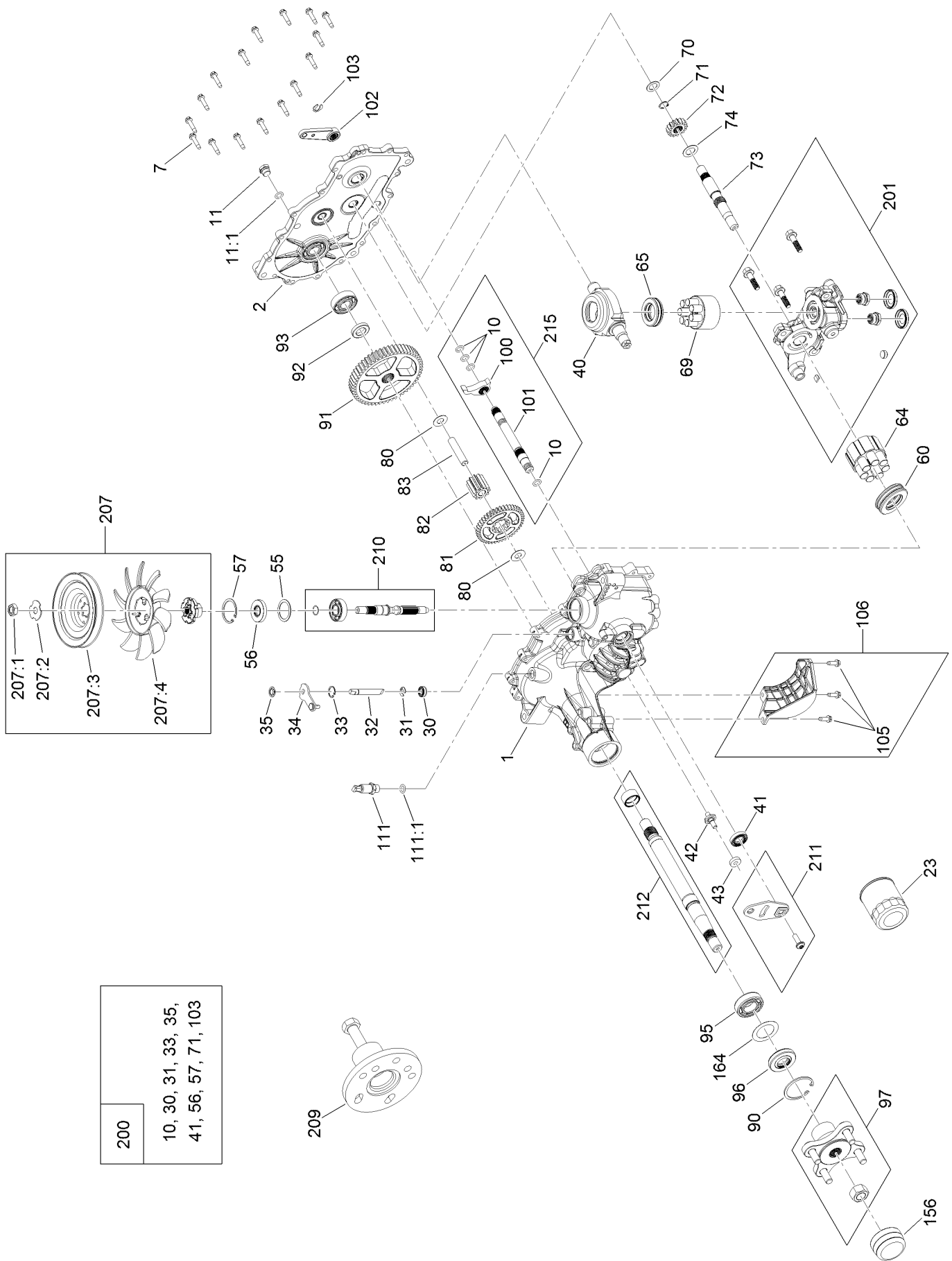


200	10, 30, 31, 33, 35, 41, 56, 57, 71, 103
-----	---

LH Transaxle Assembly No. 139-7490 (continued)

<i>Ref.</i>	<i>Part Number</i>	<i>Qty.</i>	<i>Description</i>	<i>Ref.</i>	<i>Part Number</i>	<i>Qty.</i>	<i>Description</i>
1	125-0037	1	Main Housing Kit	82	114-1693	1	Gear-11T
2	132-0939	1	RH Side Cover Kit	83	104-5329	1	Pin-Jackshaft
7	117-5359	16	Screw-HHF	90	104-2169	1	Ring-Retaining
10	114-1678	4	O-Ring	91	114-1694	1	Gear-54T
11	135-1140	1	Plug-Straight	92	120-7975	1	Spacer
11:1	135-1141	1	O-Ring	93	137-2004	1	Bearing Kit
23	109-3321	1	Element-Oil Filter, HYD	95	109-8110	1	Input Bearing Kit
30	106-8676	1	Seal-Lip	96	104-2144	1	Seal
31	106-8677	1	Ring-Retaining, External	97	109-5939	1	Hub Kit
32	114-1685	1	Rod-Bypass	100	114-1697	1	Pawl-Brake
33	106-8679	1	Ring-Retaining, Internal	101	114-1698	1	Shaft-Brake, Inboard
34	112-9852	1	Arm-Bypass	102	125-0021	1	Handle-Brake
35	106-8681	1	Ring-Retaining, External	103	131-0906	1	Ring-Retaining, EXT
40	104-5304	1	Swashplate-Trunnion	105	104-2120	3	Screw
41	104-5313	1	Seal-Lip	106	120-7981	1	Guard-Filter, RH
42	104-2116	1	Stud	111	109-3278	1	Adapter-Straight
43	112-9853	1	Puck-Friction	111:1	237-42	1	O-Ring
55	104-5308	1	Spacer	156	115-5057	1	Cover-Nut, Axle
56	104-5310	1	Seal-Lip	164	121-5745	1	Spacer
57	104-5309	1	Ring-Retaining	200	109-3537	1	Seal Kit
60	112-4154	1	Bearing-Thrust	201	132-0940	1	RH Center Section Kit
64	114-1689	1	Motor Cylinder Block Kit	207	135-7343	1	Fan And Pulley Kit
65	94-6922	1	Bearing-Thrust	207:1	116-9714	1	Nut-HJ
69	110-8561	1	Pump Block ASM	207:2	116-9708	1	Washer-Slotted
70	104-5339	1	Washer-Flat	207:3	135-7365	1	Pulley-5.34
71	104-5340	1	Ring-Retaining	207:4	135-7364	1	Fan 7.0 X 10 Blade
72	121-5749	1	Gear-16T	209	114-8467	1	Puller-Hub, 4 Bolt
73	114-1691	1	Shaft-Motor	210	114-8468	1	Input Shaft Kit
74	104-5360	1	Washer	211	117-5362	1	Control Arm Kit
80	119-5541	2	Washer	212	114-8470	1	Axle Shaft Kit
81	125-0000	1	Gear-43T	215	137-2007	1	Brake Shaft Kit

RH Transaxle Assembly No. 139-7491

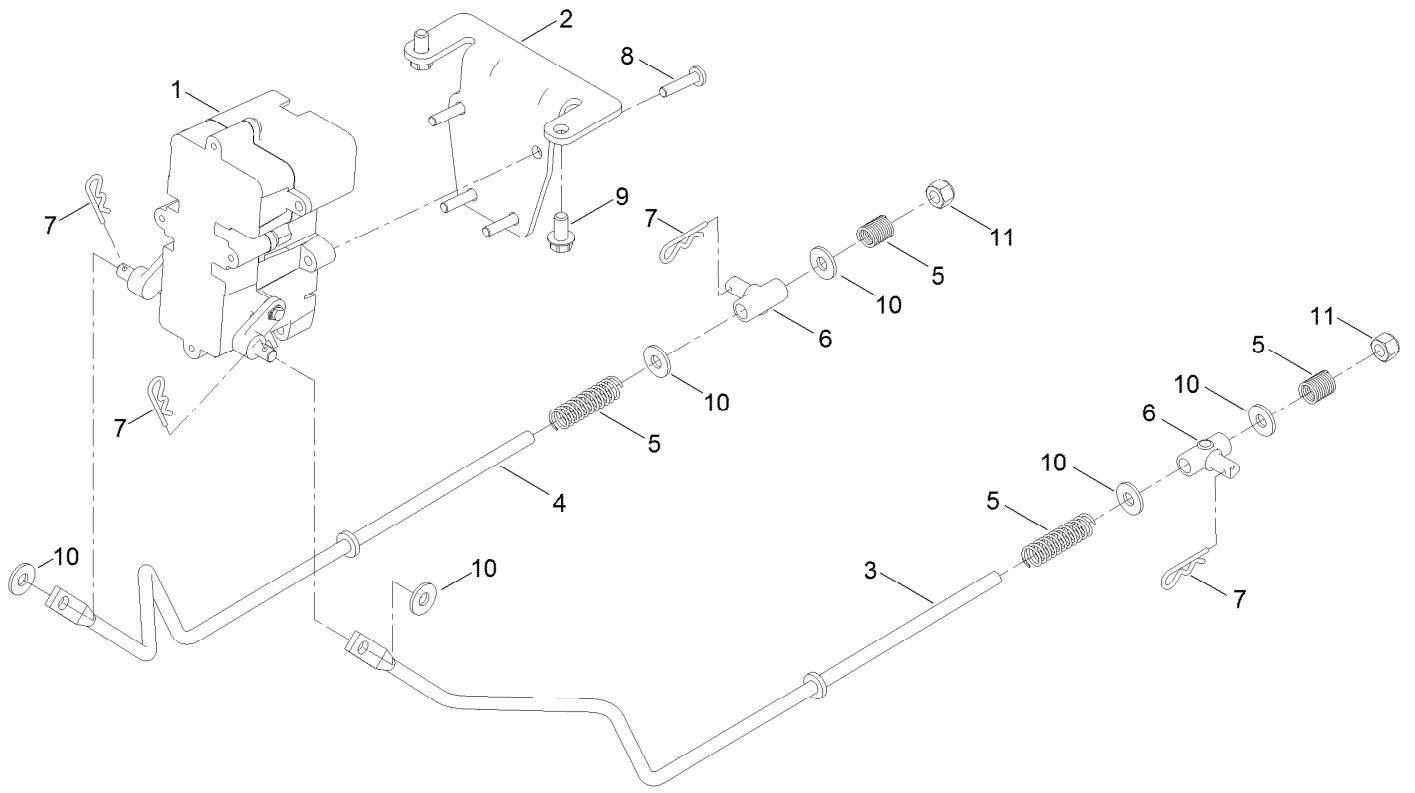


- | | |
|-----|---|
| 200 | 10, 30, 31, 33, 35, 41, 56, 57, 71, 103 |
|-----|---|

RH Transaxle Assembly No. 139-7491 (continued)

<i>Ref.</i>	<i>Part Number</i>	<i>Qty.</i>	<i>Description</i>	<i>Ref.</i>	<i>Part Number</i>	<i>Qty.</i>	<i>Description</i>
1	121-5748	1	Main Housing Kit	82	114-1693	1	Gear-11T
2	132-0938	1	LH Side Cover Kit	83	104-5329	1	Pin-Jackshaft
7	117-5359	16	Screw-HHF	90	104-2169	1	Ring-Retaining
10	114-1678	4	O-Ring	91	114-1694	1	Gear-54T
11	135-1140	1	Plug-Straight	92	120-7975	1	Spacer
11:1	135-1141	1	O-Ring	93	137-2004	1	Bearing Kit
23	109-3321	1	Element-Oil Filter, HYD	95	109-8110	1	Input Bearing Kit
30	106-8676	1	Seal-Lip	96	104-2144	1	Seal
31	106-8677	1	Ring-Retaining, External	97	109-5939	1	Hub Kit
32	114-1685	1	Rod-Bypass	100	114-1697	1	Pawl-Brake
33	106-8679	1	Ring-Retaining, Internal	101	114-1698	1	Shaft-Brake, Inboard
34	112-9852	1	Arm-Bypass	102	125-0021	1	Handle-Brake
35	106-8681	1	Ring-Retaining, External	103	131-0906	1	Ring-Retaining, EXT
40	104-5304	1	Swashplate-Trunnion	105	104-2120	3	Screw
41	104-5313	1	Seal-Lip	106	120-7979	1	Guard-Filter, LH
42	104-2116	1	Stud	111	109-3278	1	Adapter-Straight
43	112-9853	1	Puck-Friction	111:1	237-42	1	O-Ring
55	104-5308	1	Spacer	156	115-5057	1	Cover-Nut, Axle
56	104-5310	1	Seal-Lip	164	121-5745	1	Spacer
57	104-5309	1	Ring-Retaining	200	109-3537	1	Seal Kit
60	112-4154	1	Bearing-Thrust	201	125-0036	1	Center Section Kit
64	114-1689	1	Motor Cylinder Block Kit	207	135-7343	1	Fan And Pulley Kit
65	94-6922	1	Bearing-Thrust	207:1	116-9714	1	Nut-HJ
69	110-8561	1	Pump Block ASM	207:2	116-9708	1	Washer-Slotted
70	104-5339	1	Washer-Flat	207:3	135-7365	1	Pulley-5.34
71	104-5340	1	Ring-Retaining	207:4	135-7364	1	Fan 7.0 X 10 Blade
72	121-5749	1	Gear-16T	209	114-8467	1	Puller-Hub, 4 Bolt
73	114-1691	1	Shaft-Motor	210	114-8468	1	Input Shaft Kit
74	104-5360	1	Washer	211	117-5362	1	Control Arm Kit
80	119-5541	2	Washer	212	114-8470	1	Axle Shaft Kit
81	125-0000	1	Gear-43T	215	137-2007	1	Brake Shaft Kit

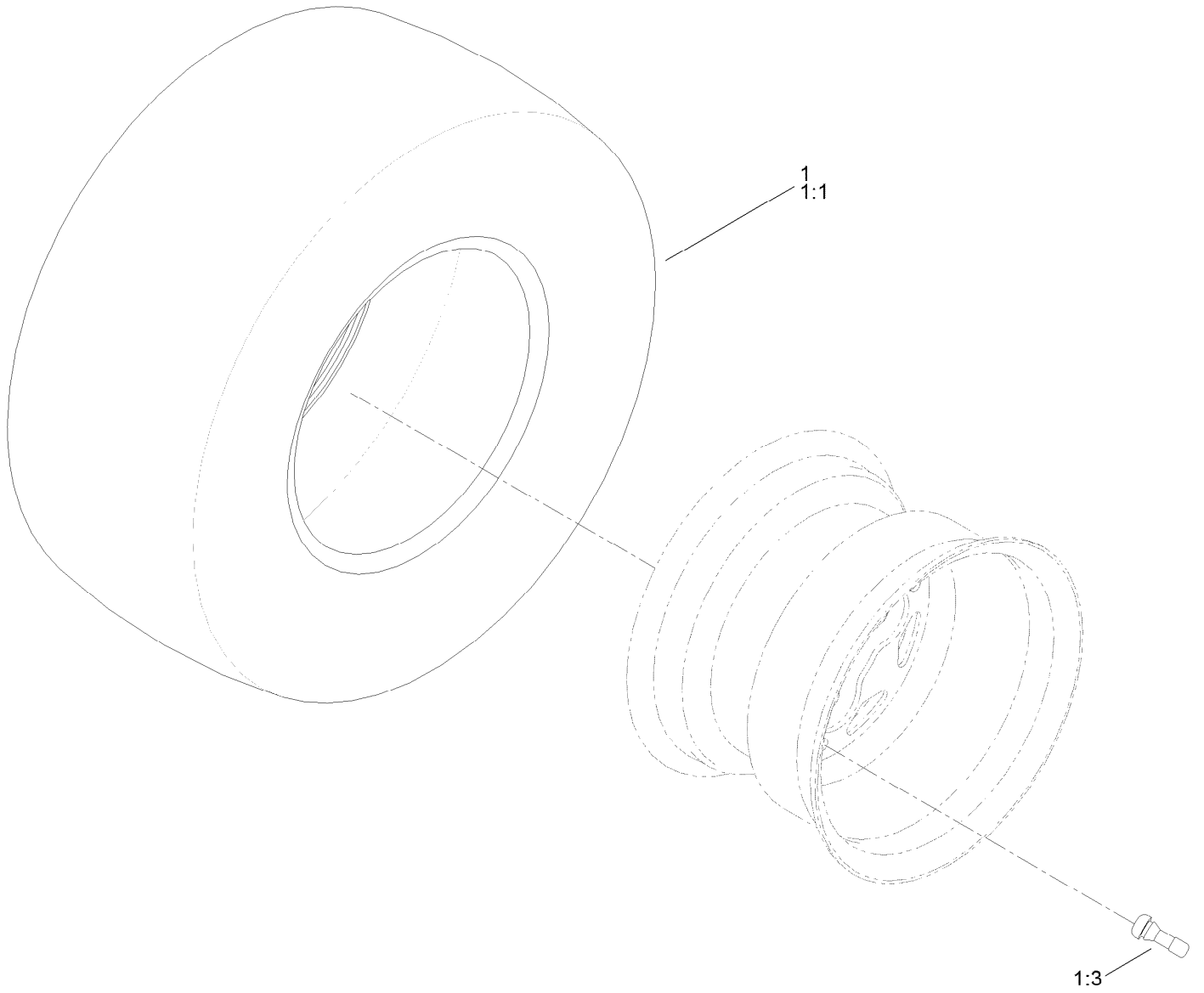
Parking Brake Assembly



Parking Brake Assembly (continued)

<i>Ref.</i>	<i>Part Number</i>	<i>Qty.</i>	<i>Description</i>	<i>Ref.</i>	<i>Part Number</i>	<i>Qty.</i>	<i>Description</i>
1	138-2514	1	Brake Box ASM	7	3290-307	4	Pin-Cotter
2	133-9284-03	1	Bracket-Mount, Brake	8	32144-36	4	Screw-PPH
3	138-7524	1	Rod-Brake,LH	9	32144-4	2	Screw-HWH
4	138-7523	1	Rod-Brake,RH	10	119-8952	6	Washer
5	121-5654	4	Spring-Compression	11	3296-42	2	Nut-Lock, NI
6	119-8857	2	Mount-Pivot				

Rear Tire Assembly

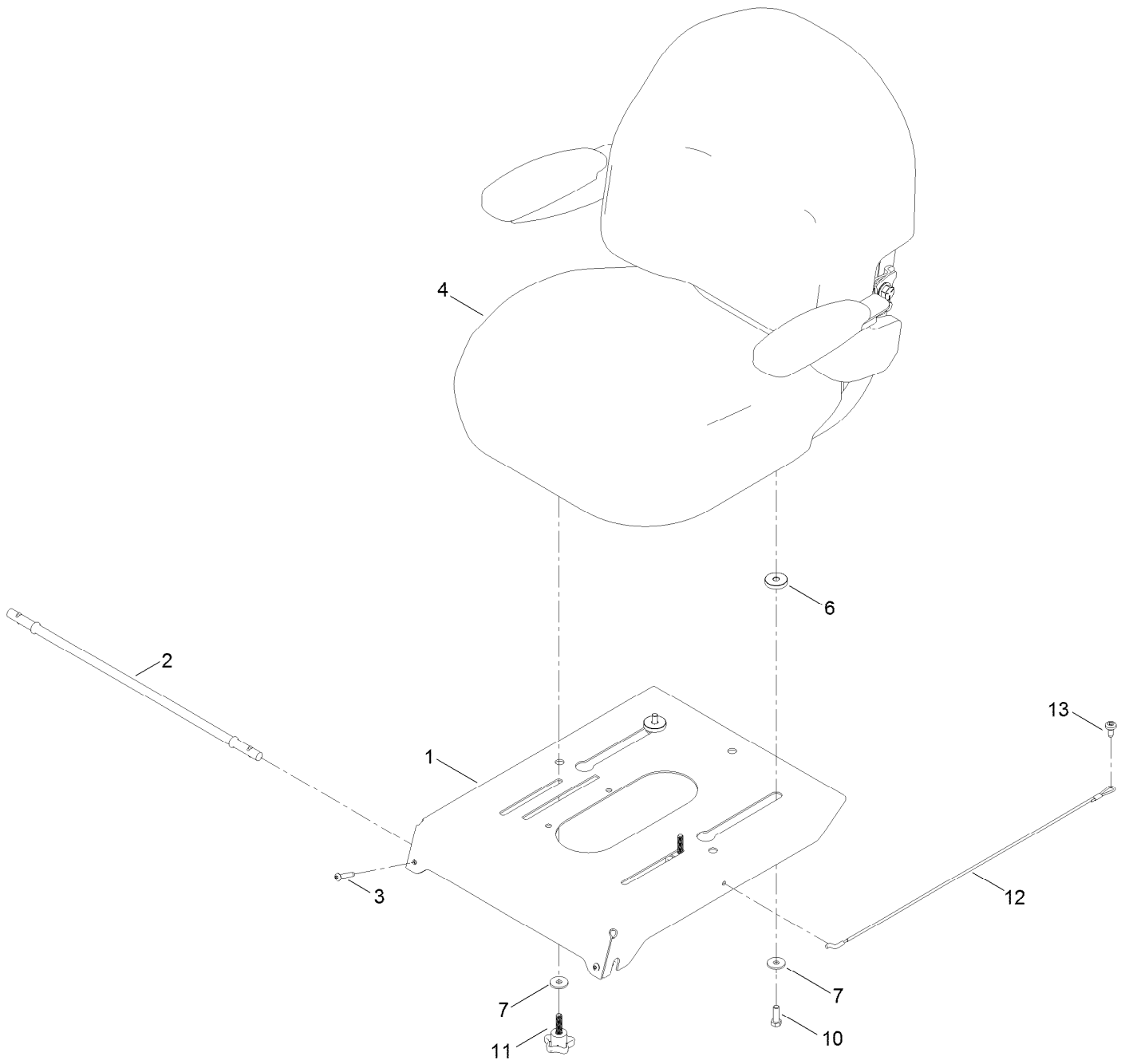


Rear Tire Assembly (continued)

<i>Ref.</i>	<i>Part Number</i>	<i>Qty.</i>	<i>Description</i>	<i>Ref.</i>	<i>Part Number</i>	<i>Qty.</i>	<i>Description</i>
1	139-5849	2	Tire ASM	1:3	232-27	1	Stem-Valve
1:1	133-9293	1	Tire	1:99	105-4070	1	Tube-Inner ●

● Not illustrated

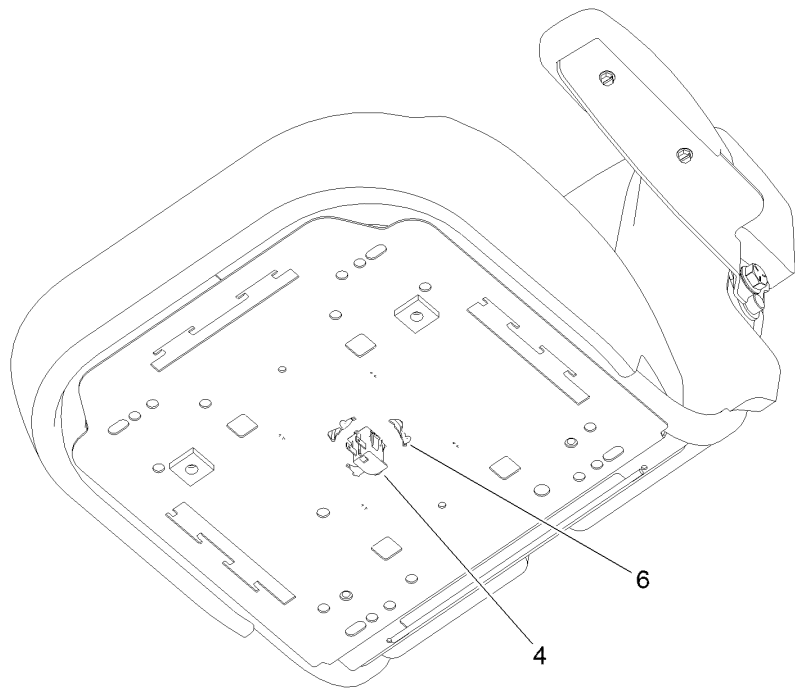
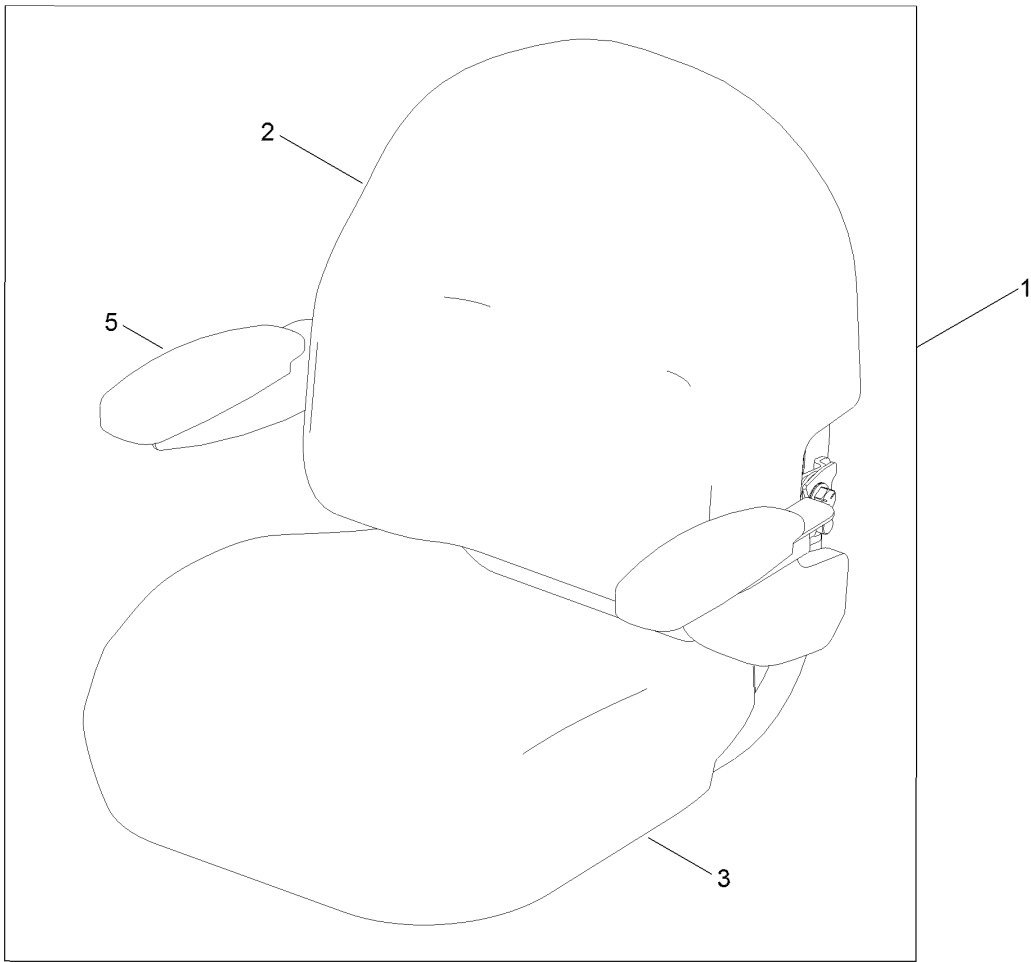
Seat Pan Assembly



Seat Pan Assembly (continued)

<i>Ref.</i>	<i>Part Number</i>	<i>Qty.</i>	<i>Description</i>	<i>Ref.</i>	<i>Part Number</i>	<i>Qty.</i>	<i>Description</i>
1	138-9775-03	1	Pan-Seat, Deluxe	7	1-603716	4	Washer-Friction
2	138-7555	1	Rod-Pivot	10	322-5	2	Screw-HH
3	108-0035	2	Screw	11	139-2401	2	Knob
4	140-5043	1	Seat ASM	12	139-2398	1	Cable-Lanyard
6	139-2377	2	Spacer-Stepped	13	120-7950	1	Screw

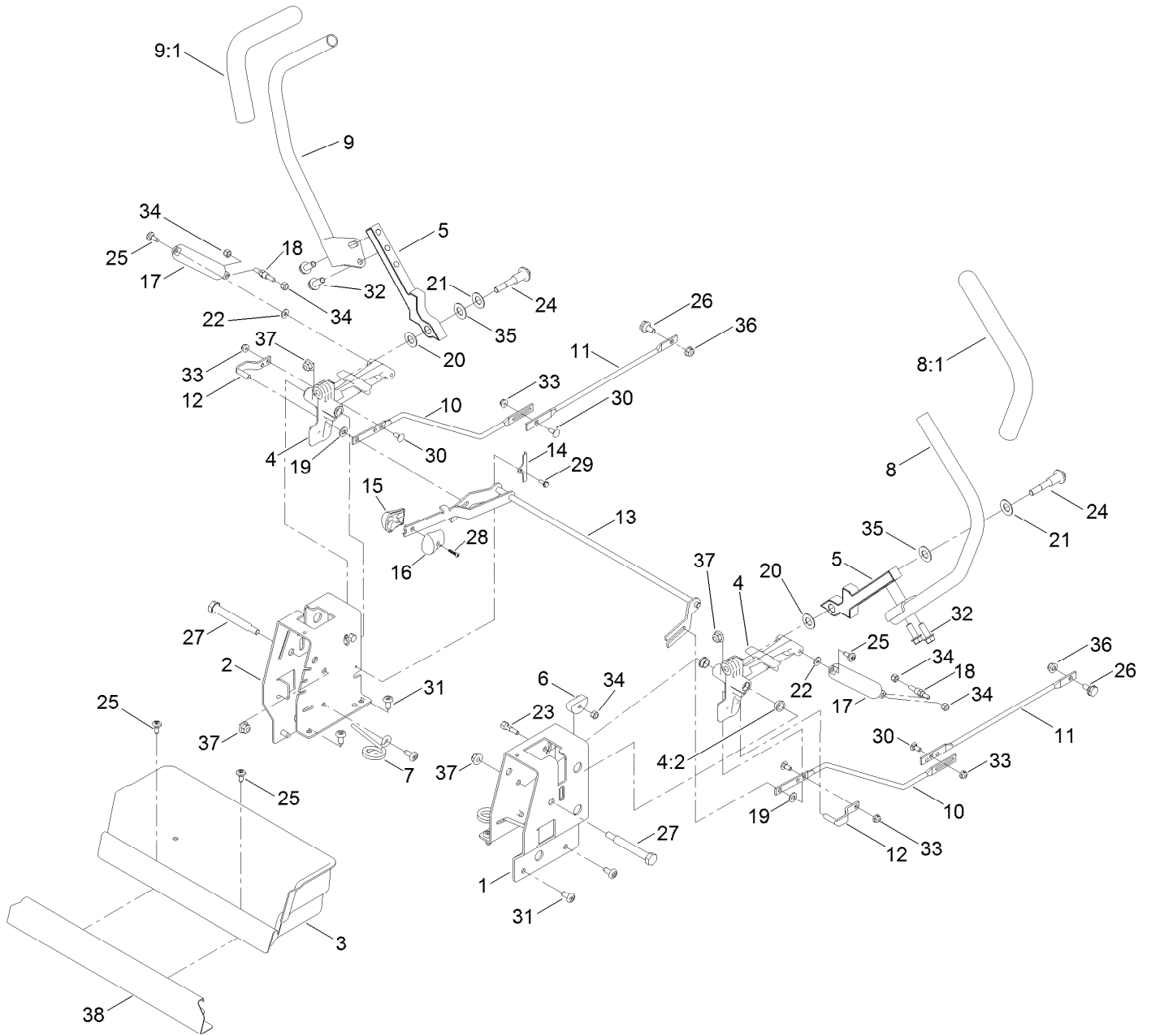
Seat Assembly No. 140-5043



Seat Assembly No. 140-5043 (continued)

<i>Ref.</i>	<i>Part Number</i>	<i>Qty.</i>	<i>Description</i>	<i>Ref.</i>	<i>Part Number</i>	<i>Qty.</i>	<i>Description</i>
1	139-7546	1	Seat ASM	4	82-2190	1	Switch-Bail
2	140-5041	1	Cover-Seat Back	5	139-5823	1	Arm Rest Kit
3	140-5042	1	Cover-Seat Base	6	140-3468	1	Cap-Switch, Actuator

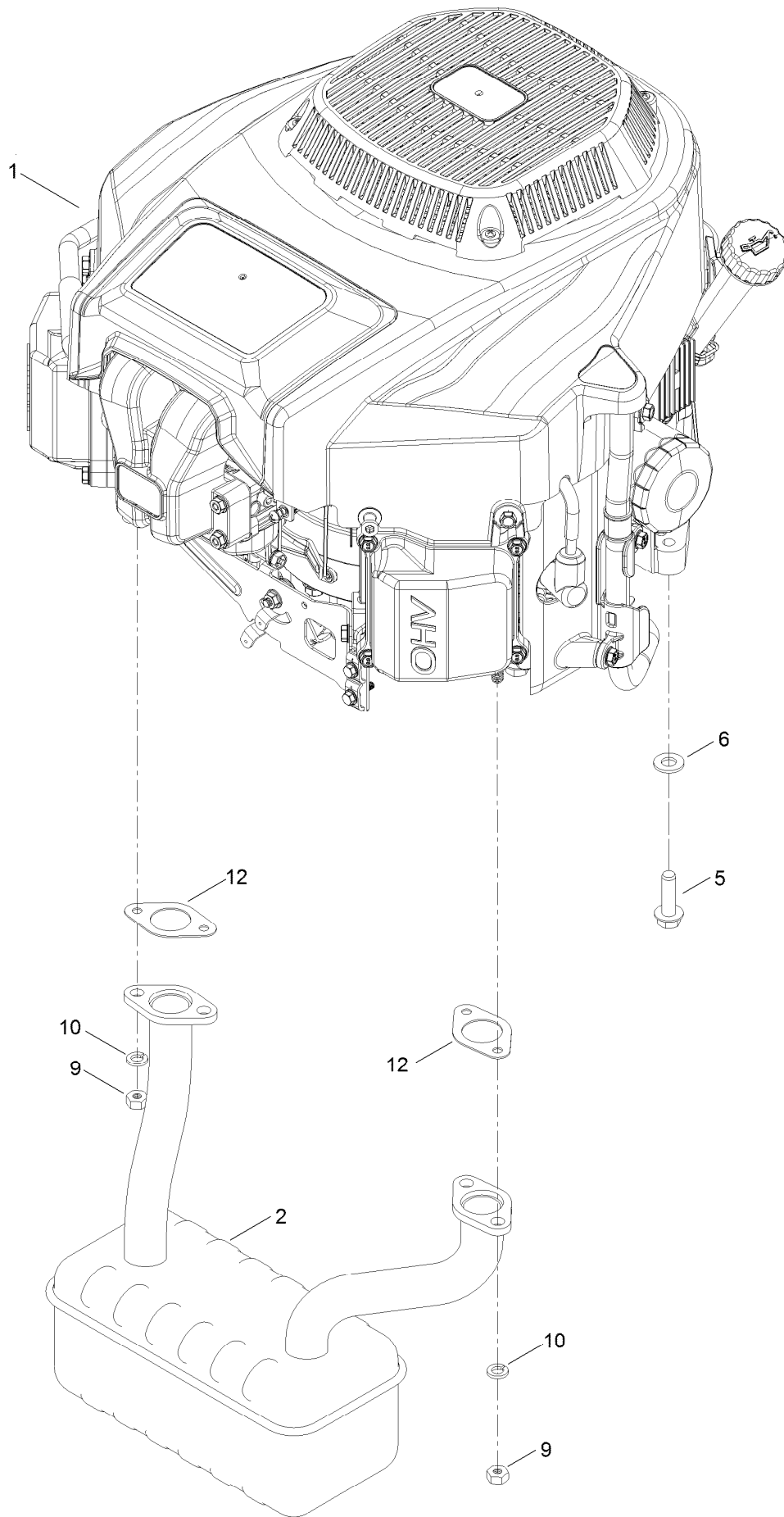
Motion Control Assembly



Motion Control Assembly (continued)

<i>Ref.</i>	<i>Part Number</i>	<i>Qty.</i>	<i>Description</i>	<i>Ref.</i>	<i>Part Number</i>	<i>Qty.</i>	<i>Description</i>
1	138-7598-03	1	Plate-Control Box, LH	19	93-6079	2	Spacer-Nylon
2	138-7599-03	1	Plate-Control Box, RH	20	120-2273	2	Washer-Nylon
3	139-3279	1	Box-Storage	21	119-8925	2	Washer-Belleville
4	119-3470	2	Actuator Arm ASM	22	119-8952	2	Washer
4:2	256-156	2	Bushing-Flange	23	139-5811	2	Bolt-Pivot, Eccentric
5	133-9299-05	2	Arm-Control	24	117-1198	2	Bolt-Pivot
6	139-5803	2	Eccentric	25	120-7950	4	Screw
7	138-7539	2	Spring-Torsion	26	37-8771	2	Bolt-Shoulder, HF
8	133-7055	1	Handle-Control, LH	27	115-5099	2	Bolt-Pivot
8:1	121-0726	1	Grip	28	94-4496	1	Screw-PPH
9	133-7057	1	Handle-Control, RH	29	32144-1	2	Screw-Taptite
9:1	121-0726	1	Grip	30	3229-11	4	Screw-CARR
10	138-2580	2	Rod-Hydro, Front	31	138-9753	10	Screw
11	138-2579	2	Rod-Hydro, Rear	32	3234-42	4	Screw-HHF
12	121-1753	2	Pin-Rod, Hydro	33	104-7201	4	Nut-HF
13	138-9750	1	Speed Control ASM	34	3296-42	6	Nut-Lock, NI
14	138-7541	2	Plate-Retainer	35	117-1240	2	Washer
15	132-9368	1	Knob-RH	36	104-8300	2	Nut-HF, NI
16	132-9369	1	Knob-LH	37	104-8301	4	Nut-HF, NI
17	132-6853	2	Damper-Non Cavitating	38	139-3280-01	1	Plate-Kick
18	138-7215	2	Stud-Damper				

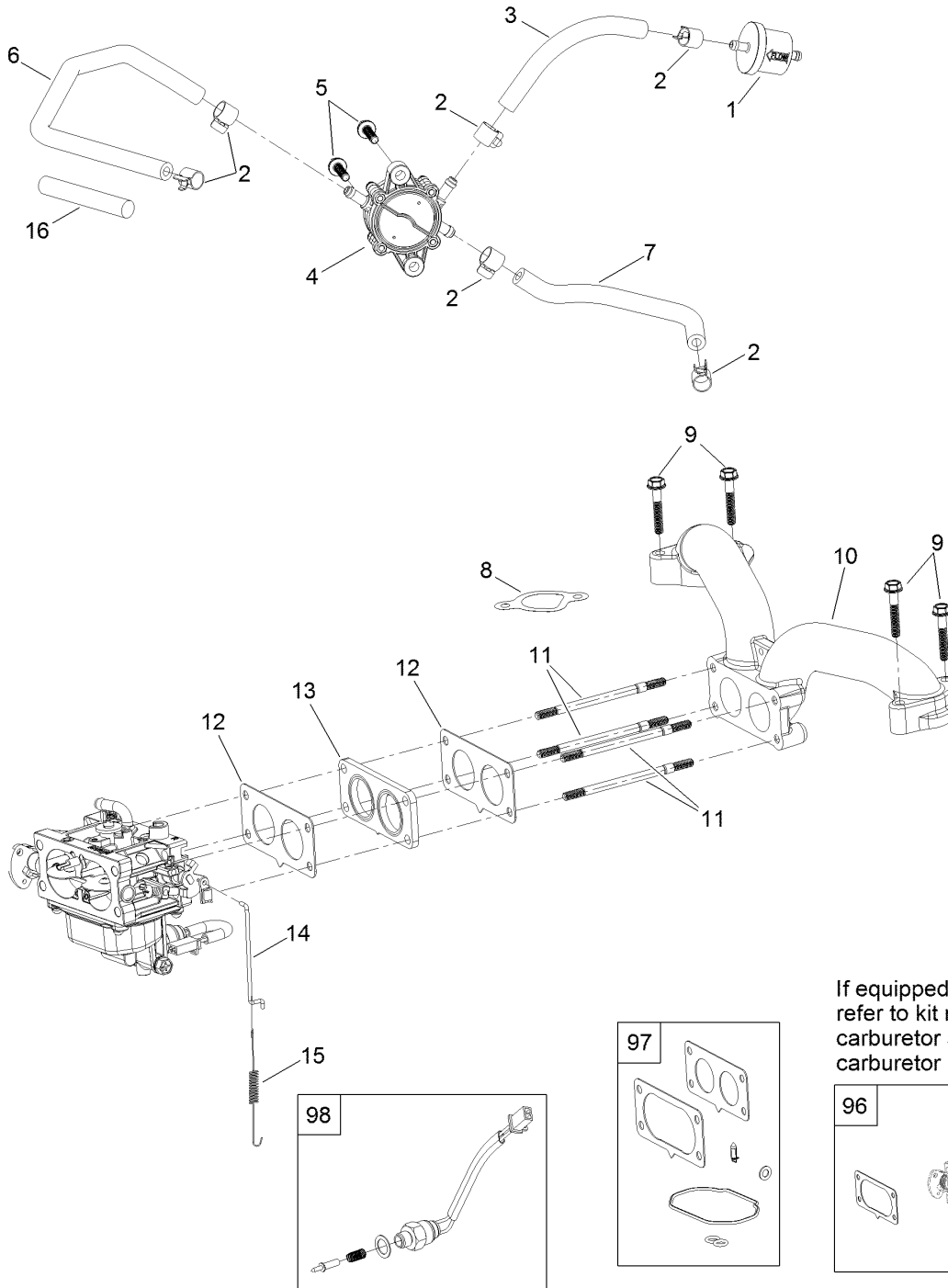
Engine and Muffler Assembly



Engine and Muffler Assembly (continued)

<i>Ref.</i>	<i>Part Number</i>	<i>Qty.</i>	<i>Description</i>	<i>Ref.</i>	<i>Part Number</i>	<i>Qty.</i>	<i>Description</i>
1	136-7818	1	Engine-2P77F	9	121-0199	4	Nut-HH
2	139-5865	1	Muffler	10	127-9279	4	Washer-Lock, Split
5	32144-109	4	Screw-Thd	12	120-4317	2	Gasket-Exhaust
6	3256-24	3	Washer-Flat				

Fuel System Assembly with Non-Canister Style Air Filter



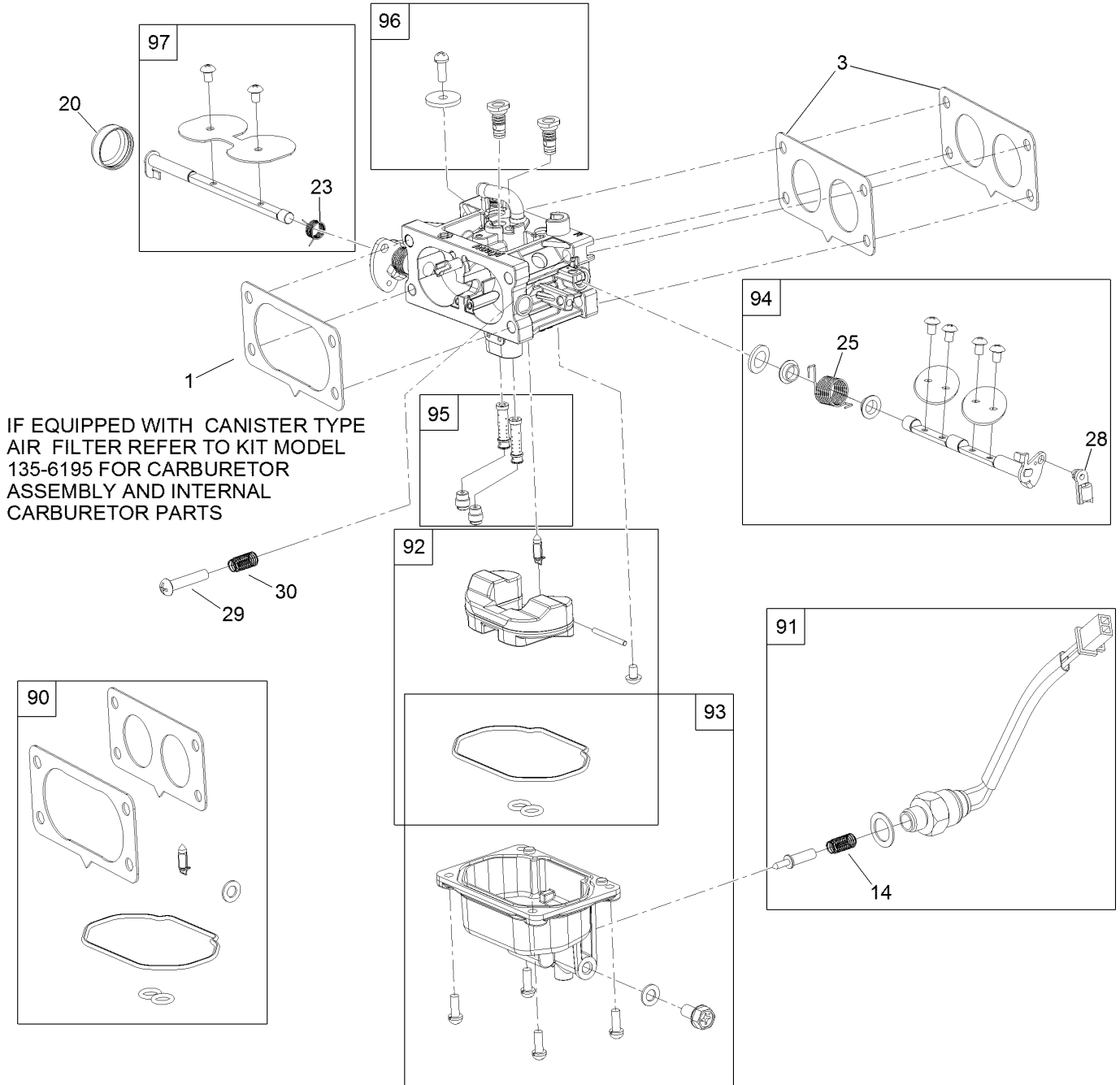
If equipped with canister type air filter refer to kit model 135-6195 for carburetor assembly and internal carburetor parts.

Fuel System Assembly with Non-Canister Style Air Filter (continued)

<i>Ref.</i>	<i>Part Number</i>	<i>Qty.</i>	<i>Description</i>	<i>Ref.</i>	<i>Part Number</i>	<i>Qty.</i>	<i>Description</i>
1	133-1563	1	Filter-Fuel	11	127-9245	4	Stud
2	120-4251	6	Clamp-Fuel Line	12	127-9246	2	Gasket-Carburetor
3	120-4371	1	Line-Fuel	13	127-9247	1	Insulator-Carburetor
4	127-9206	1	Pump-Fuel	14	133-9963	1	Linkage-Throttle
5	120-4225	2	Screw-HHF	15	133-9964	1	Spring-Return, Throttle
6	127-9205	1	Hose-Fuel	16	127-9355	1	Sleeve-Fuel Line Protector
7	127-9207	1	Hose-Fuel	96	136-7840	1	Carburetor Replacement Kit
8	127-9230	2	Gasket-Intake	97	127-9290	1	Carburetor Repair Kit
9	120-4284	4	Screw-HHF	98	127-9292	1	Solenoid Kit
10	127-9244	1	Manifold-Intake	99	136-7837	1	High Altitude Kit ●

● Not illustrated

Carburetor Assembly

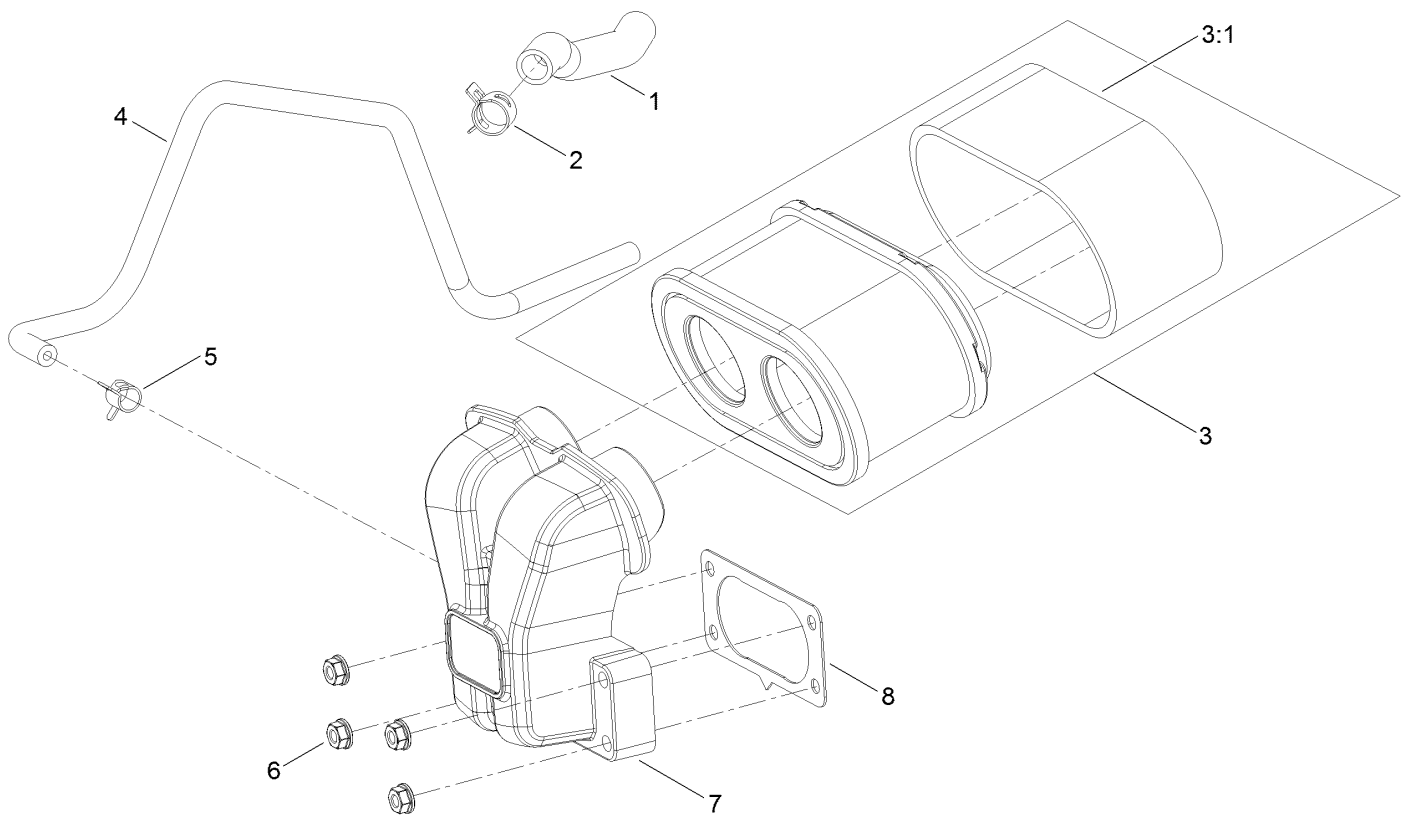


Carburetor Assembly (continued)

<i>Ref.</i>	<i>Part Number</i>	<i>Qty.</i>	<i>Description</i>	<i>Ref.</i>	<i>Part Number</i>	<i>Qty.</i>	<i>Description</i>
1	127-9251	1	Gasket-Carburetor	90	127-9290	1	Carburetor Repair Kit
3	127-9246	2	Gasket-Carburetor	91	127-9292	1	Solenoid Kit
14	127-9319	1	Spring	92	127-9340	1	Float Kit
20	127-9325	1	Cover-Shaft, Choke	93	127-9341	1	Bowl Kit
23	127-9328	1	Spring	94	133-9817	1	Throttle Shaft Kit
25	127-9330	1	Spring	95	136-7844	1	Nozzle And Jet Kit
28	127-9333	1	Clamp-Lock	96	136-7899	1	Idle Jet Kit
29	127-9334	1	Screw-PPH	97	127-9345	1	Choke Shaft Kit
30	127-9335	1	Spring				

Air Intake and Filtration Assembly

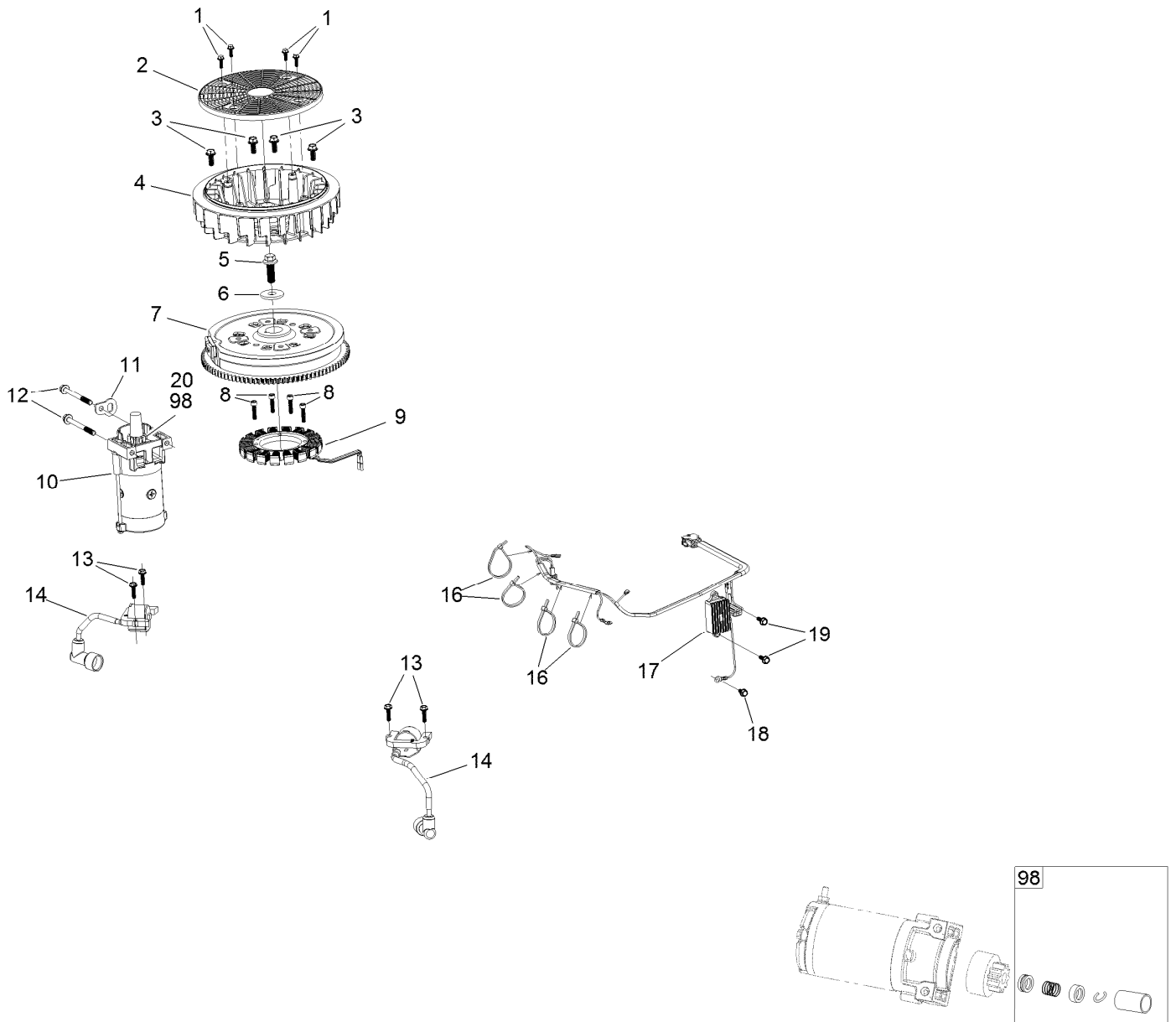
IF EQUIPPED WITH CANISTER TYPE AIR FILTER
REFER TO KIT MODEL 135-6195 TO LOOK UP PARTS



Air Intake and Filtration Assembly (continued)

<i>Ref.</i>	<i>Part Number</i>	<i>Qty.</i>	<i>Description</i>	<i>Ref.</i>	<i>Part Number</i>	<i>Qty.</i>	<i>Description</i>
1	127-9235	1	Tube-Breather	5	127-9187	1	Clamp-Hose
2	127-9234	2	Clamp-Hose	6	120-4236	4	Nut-Flange
3	136-7806	1	Air Filter Kit	7	127-9047	1	Manifold-Filter, Air
3:1	136-7804	1	Prefilter	8	127-9251	1	Gasket-Carburetor
4	127-9253	1	Hose-Fuel				

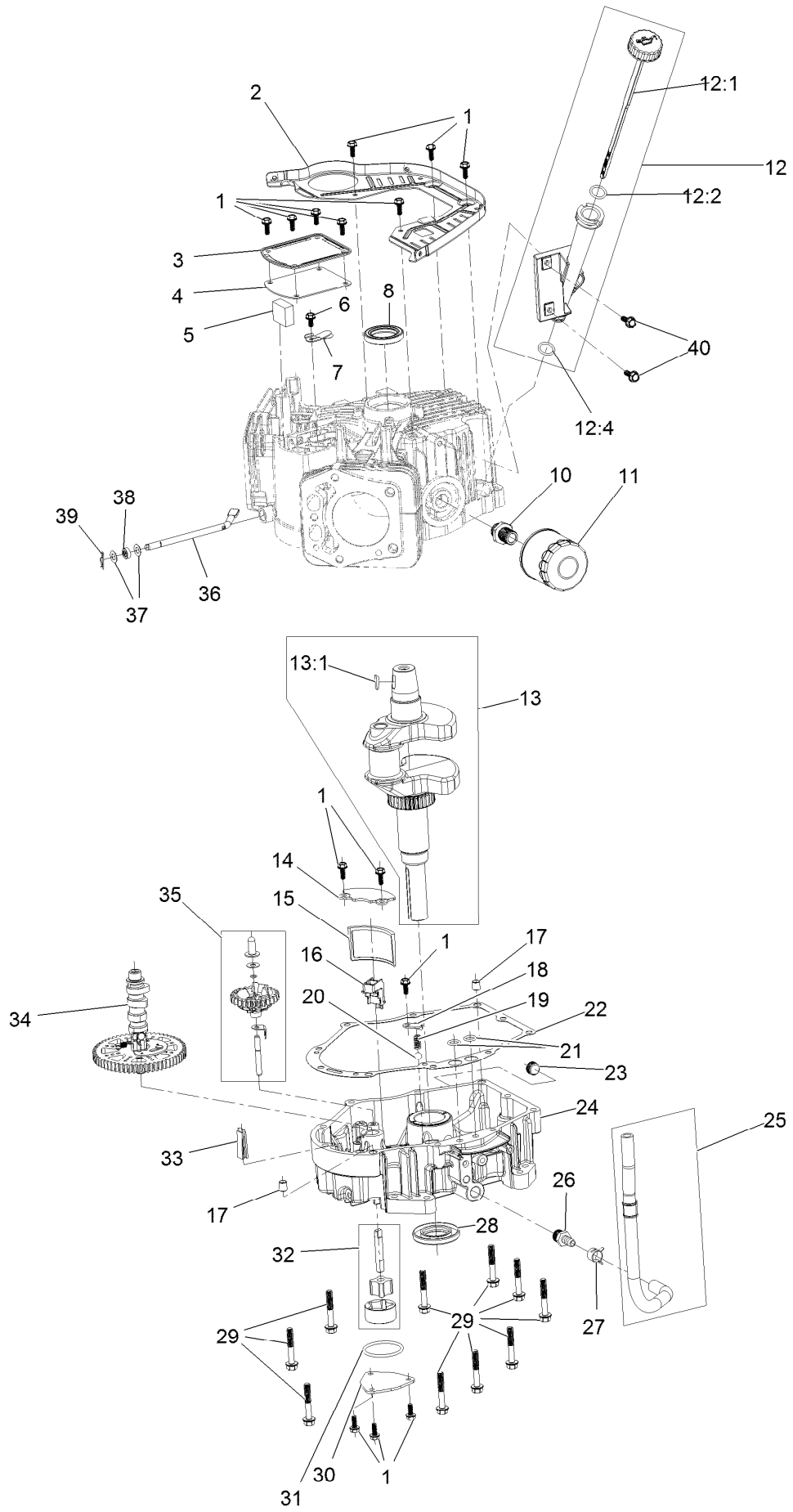
Ignition and Cooling Fan



Ignition and Cooling Fan (continued)

<i>Ref.</i>	<i>Part Number</i>	<i>Qty.</i>	<i>Description</i>	<i>Ref.</i>	<i>Part Number</i>	<i>Qty.</i>	<i>Description</i>
1	127-9197	4	Screw-HWH	12	120-4231	2	Screw-HHF
2	127-9198	1	Screen-Rotating	13	121-0007	4	Bolt-Flange
3	127-9199	4	Screw-HWH	14	136-7883	2	Ignition Coil ASM
4	127-9200	1	Fan-Cooling	16	127-9220	4	Tie-Zip
5	127-9201	1	Screw-HWH	17	136-7879	1	Regulator-Voltage, W/Harness
6	127-9202	1	Washer-Spring	18	120-4216	1	Screw-HHF
7	127-9306	1	Flywheel	19	120-4232	2	Screw-HHF
8	127-9210	4	Screw-HSH	20	133-1562	1	Pinion-Starter
9	136-7876	1	Alternator	98	133-1566	1	Starter Repair Kit
10	136-7880	1	Motor-Starter				
11	127-9208	1	Bracket-Lift				

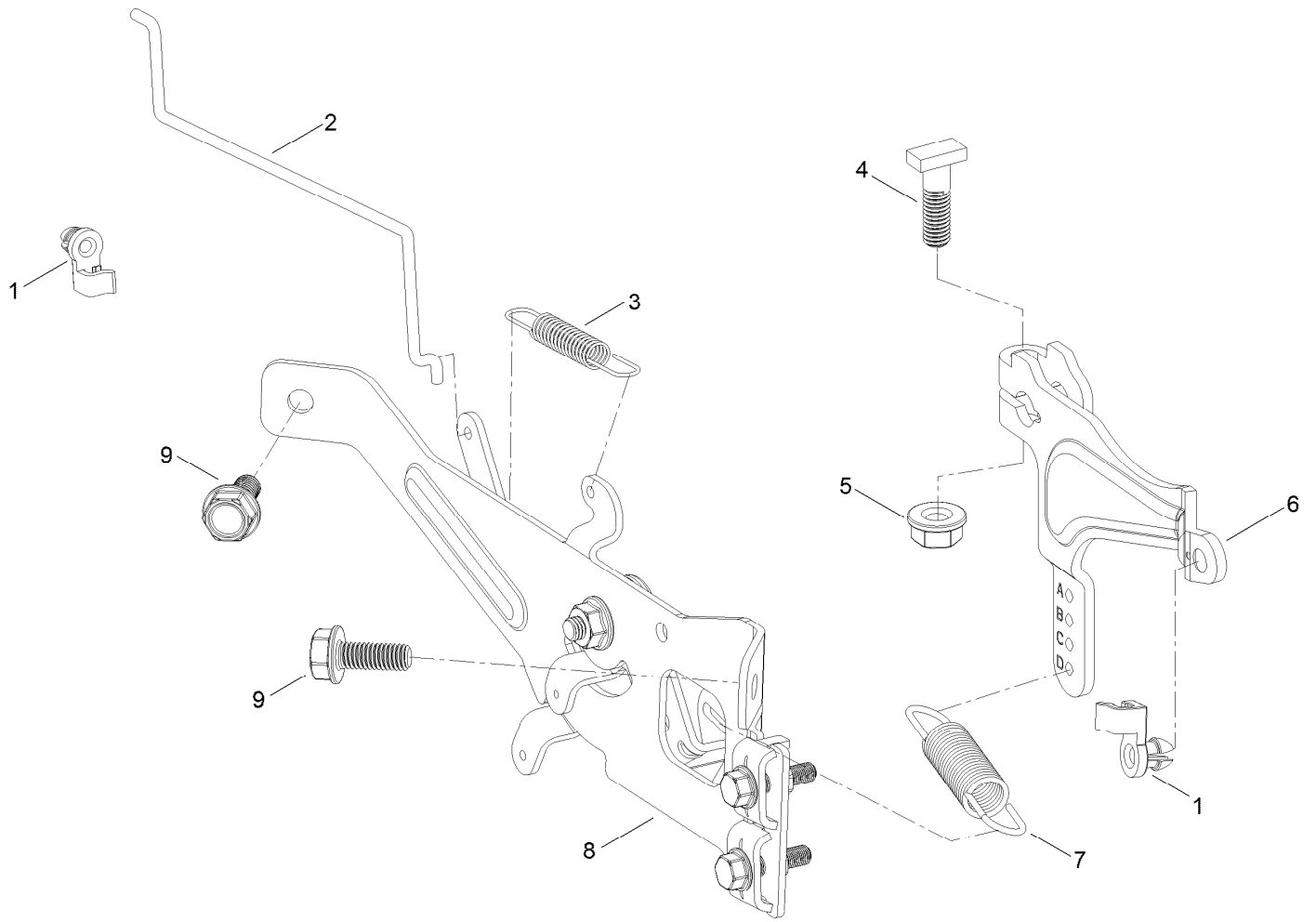
Crankcase and Crankshaft Assembly



Crankcase and Crankshaft Assembly (continued)

<i>Ref.</i>	<i>Part Number</i>	<i>Qty.</i>	<i>Description</i>	<i>Ref.</i>	<i>Part Number</i>	<i>Qty.</i>	<i>Description</i>
1	120-4232	14	Screw-HHF	20	127-9266	1	Valve-Ball
2	127-9212	1	Baffle	21	120-4262	2	O-Ring
3	127-9213	1	Cover-Breather	22	127-9267	1	Gasket-Cover, Crankcase
4	127-9214	1	Gasket-Breather	23	133-9805	1	Plug-Drain
5	127-9215	1	Filter-Breather	24	133-9806	1	Cover-Crankcase
6	120-4216	1	Screw-HHF	25	127-9293	1	Oil Drain Hose ASM
7	127-9217	1	Valve-Breather	26	127-9275	1	Fitting-Hose
8	120-4267	1	Seal-Oil	27	127-9276	1	Clamp-Hose
10	136-7884	1	Adaptor-Filter, Oil	28	127-9271	1	Seal
11	136-7848	1	Filter-Oil	29	121-0473	10	Screw-HHF
12	127-9218	1	Oil Tube ASM	30	127-9274	1	Cover-Oil Pump
12:1	127-9283	1	Dipstick	31	127-9273	1	O-Ring
12:2	127-9284	1	O-Ring	32	127-9272	1	Oil Pump ASM
12:4	127-9286	1	O-Ring	33	120-4275	1	Deflector-Oil, Rubber
13	127-9255	1	Crankshaft	34	133-1568	1	Camshaft
13:1	120-4320	1	Key-Woodruff	35	136-7882	1	Governor ASM
14	127-9261	1	Cover-Screen, Oil	36	127-9238	1	Shaft-Governor
15	127-9262	1	Screen-Oil	37	120-4258	2	Washer-Plain
16	127-9263	1	Retainer-Screen	38	120-4257	1	Seal-Oil
17	120-4274	2	Pin-Dowel	39	120-4256	1	Pin-Hair
18	127-9264	1	Plate-Retainer	40	120-4232	2	Screw-HHF
19	127-9265	1	Spring				

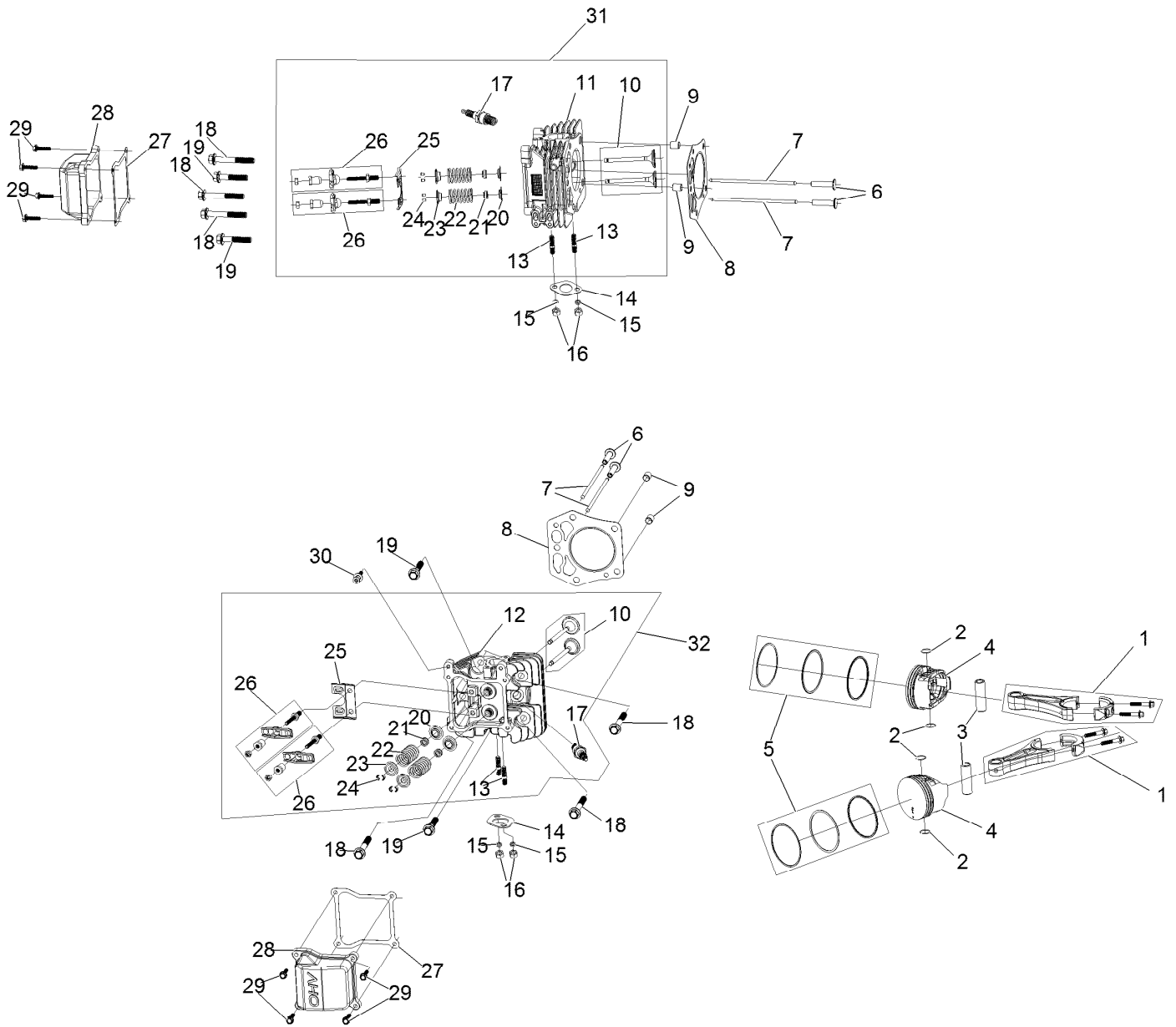
Governor Control Assembly



Governor Control Assembly (continued)

<i>Ref.</i>	<i>Part Number</i>	<i>Qty.</i>	<i>Description</i>	<i>Ref.</i>	<i>Part Number</i>	<i>Qty.</i>	<i>Description</i>
1	127-9250	2	Clip-Linkage	6	133-9961	1	Arm-Governor
2	127-9242	1	Linkage-Choke	7	133-9962	1	Spring-Governor
3	127-9241	1	Spring-Governor	8	133-1570	1	Control Plate ASM
4	120-4238	1	Bolt-Arm, Governor	9	120-4232	2	Screw-HHF
5	120-4236	1	Nut-Flange				

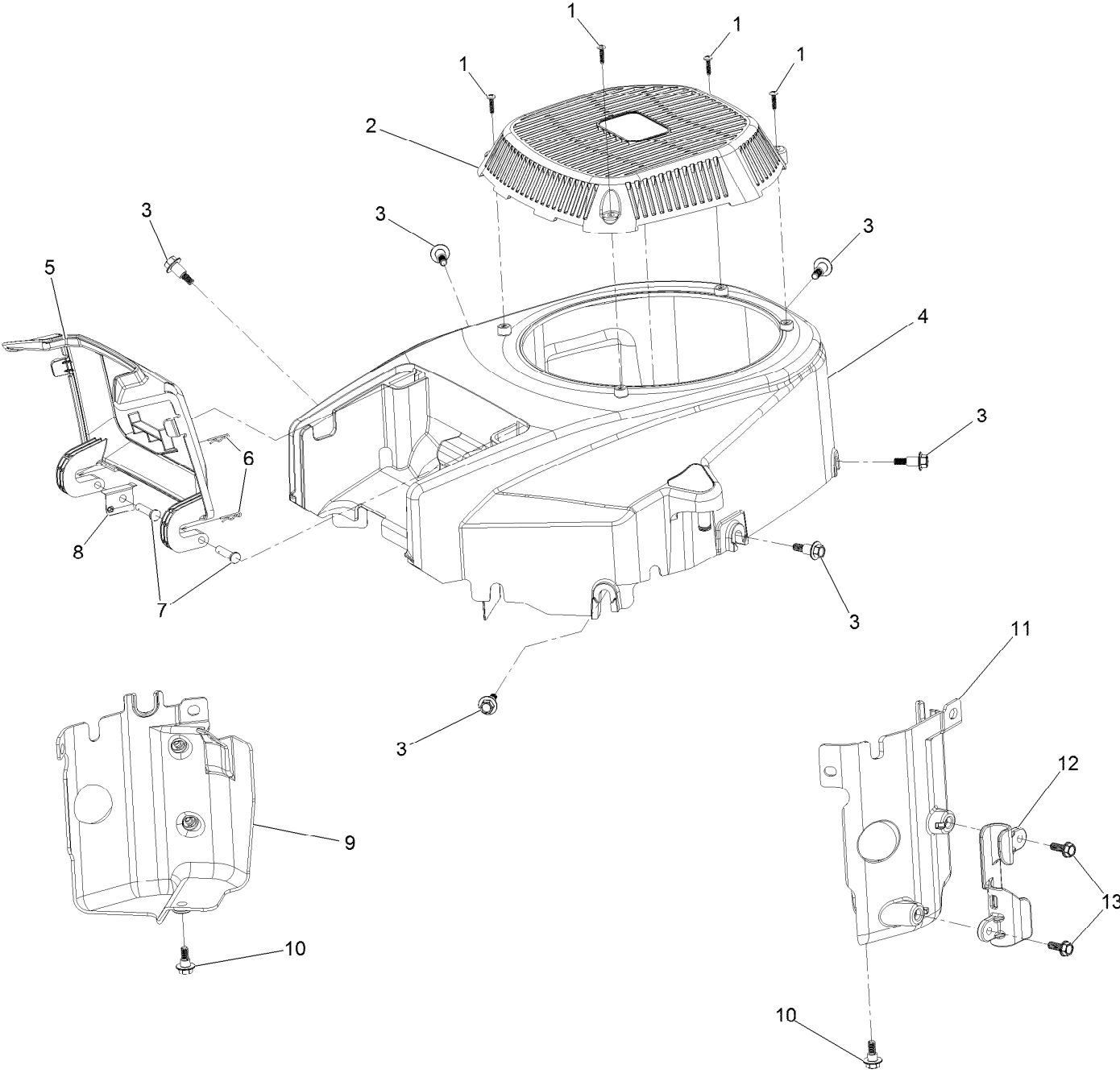
Piston and Cylinder Head Assembly



Piston and Cylinder Head Assembly (continued)

<i>Ref.</i>	<i>Part Number</i>	<i>Qty.</i>	<i>Description</i>	<i>Ref.</i>	<i>Part Number</i>	<i>Qty.</i>	<i>Description</i>
1	127-9256	2	Connecting Rod ASM	17	81-3250	2	Spark Plug
2	127-9258	4	Clip-Pin, Piston	18	127-9231	6	Screw-HWH
3	127-9257	2	Pin-Piston	19	127-9232	4	Screw-HWH
4	127-9259	2	Piston	20	120-4303	4	Seat-Spring, Valve
5	127-9260	2	Piston Ring Set	21	120-4304	4	Seal-Stem, Valve
6	127-9224	4	Lifter-Valve	22	120-4305	4	Spring-Valve
7	127-9225	4	Rod-Push	23	120-4306	4	Retainer-Spring, Valve
8	127-9226	2	Gasket-Head, Cylinder	24	120-4307	8	Keeper-Valve
9	127-9227	4	Pin-Dowel	25	127-9233	2	Plate-Guide, Push Rod
10	127-9228	2	Valve Set	26	136-7881	4	Rocker Arm ASM
11	133-9802	1	Head-Cylinder, Right	27	127-9295	2	Gasket-Valve Cover
12	133-9804	1	Head-Cylinder, Left	28	127-9050	2	Cover-Valve
13	121-0464	4	Stud-Exhaust	29	120-4225	8	Screw-HHF
14	120-4317	2	Gasket-Exhaust	30	120-4214	1	Screw-Shoulder, HH
15	127-9279	4	Washer-Lock, Split	31	136-7891	1	Complete Right Head ASM
16	121-0199	4	Nut-HH	32	136-7892	1	Complete Left Head ASM

Blower Housing Assembly

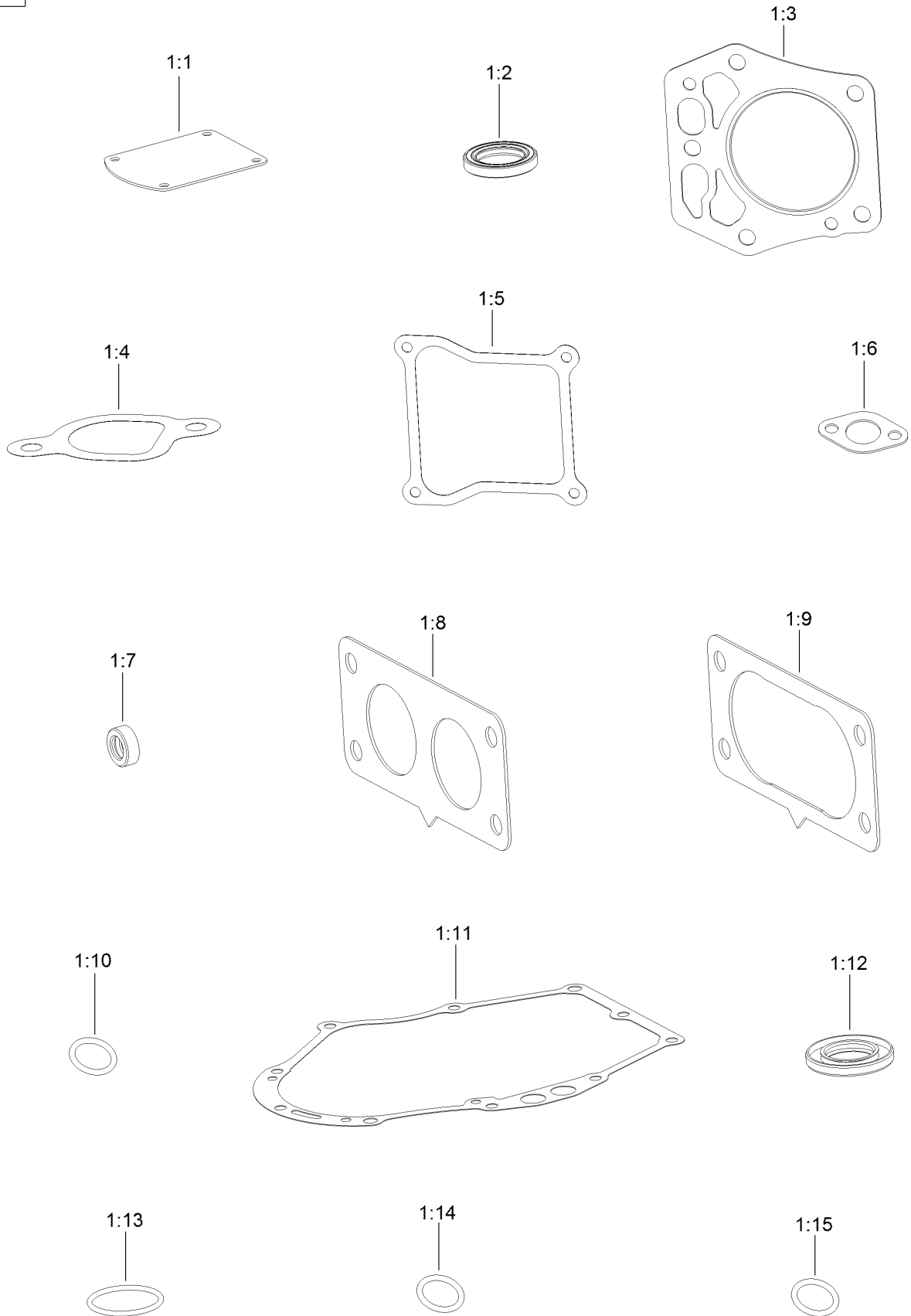


Blower Housing Assembly (continued)

<i>Ref.</i>	<i>Part Number</i>	<i>Qty.</i>	<i>Description</i>	<i>Ref.</i>	<i>Part Number</i>	<i>Qty.</i>	<i>Description</i>
1	133-1571	4	Screw-PPH, Plastic	8	127-9281	1	Plate-Spring
2	127-9045	1	Cover-Fan	9	136-7877	1	Baffle-Air, Left
3	127-9196	6	Screw-Shoulder, HWH	10	120-4210	2	Screw-Shoulder, HHF
4	133-1572	1	Shroud-Engine	11	136-7878	1	Baffle-Air, Right
5	127-9046	1	Door-Filter, Air	12	127-9287	1	Cleat-Hose
6	127-9280	2	Pin-Hair	13	120-4232	2	Screw-HHF
7	127-9282	2	Pin				

Gasket and Seal Kit

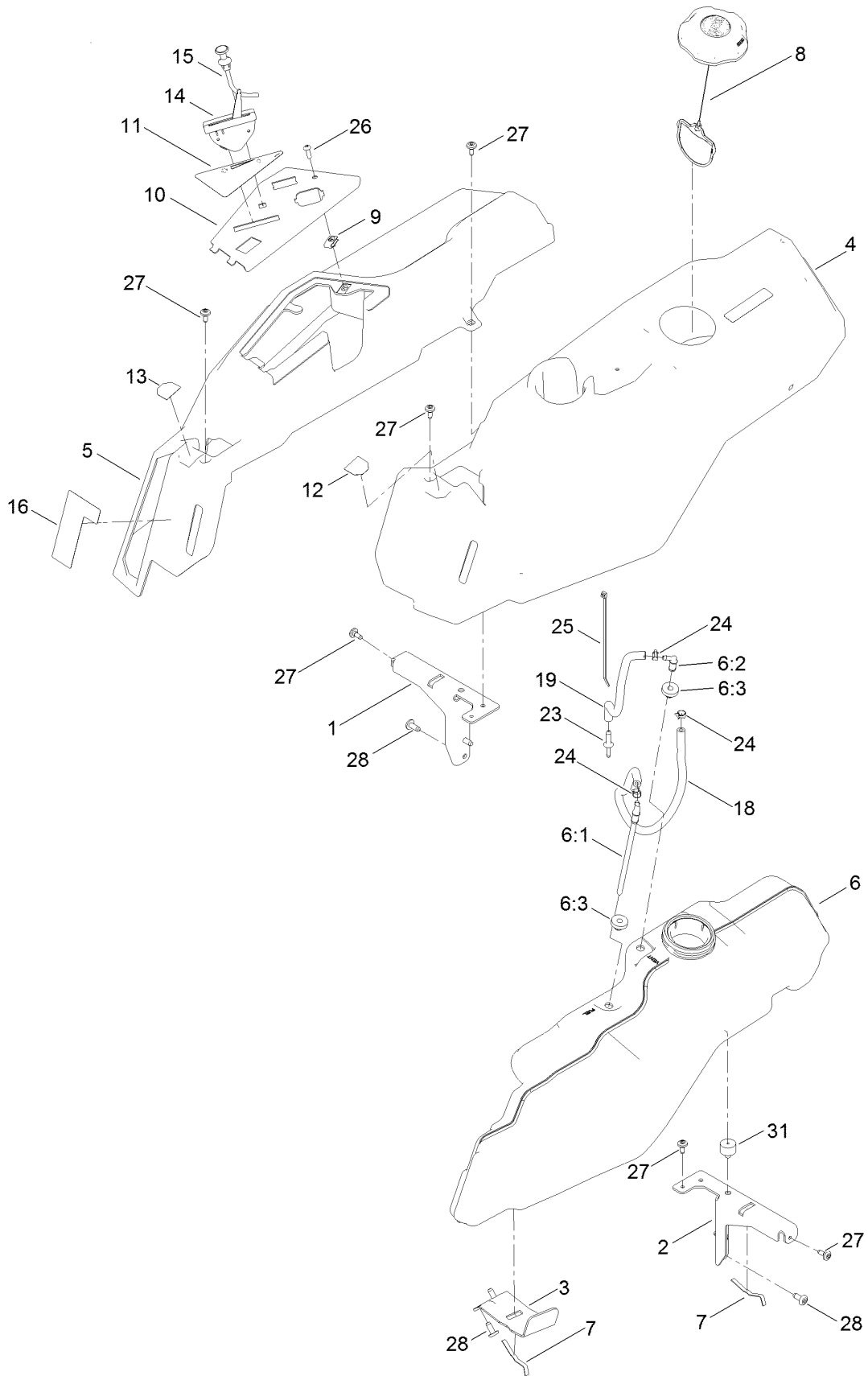
1



Gasket and Seal Kit (continued)

<i>Ref.</i>	<i>Part Number</i>	<i>Qty.</i>	<i>Description</i>	<i>Ref.</i>	<i>Part Number</i>	<i>Qty.</i>	<i>Description</i>
1	127-9296	1	Gasket And Seal Kit	1:8	127-9246	2	Gasket-Carburetor
1:1	127-9214	1	Gasket-Breather	1:9	127-9251	1	Gasket-Carburetor
1:2	120-4267	1	Seal-Oil	1:10	120-4262	2	O-Ring
1:3	127-9226	2	Gasket-Head, Cylinder	1:11	127-9267	1	Gasket-Cover, Crankcase
1:4	127-9230	2	Gasket-Intake	1:12	127-9271	1	Seal
1:5	127-9295	2	Gasket-Valve Cover	1:13	127-9273	1	O-Ring
1:6	120-4317	2	Gasket-Exhaust	1:14	127-9284	1	O-Ring
1:7	120-4257	1	Seal-Oil	1:15	127-9286	1	O-Ring

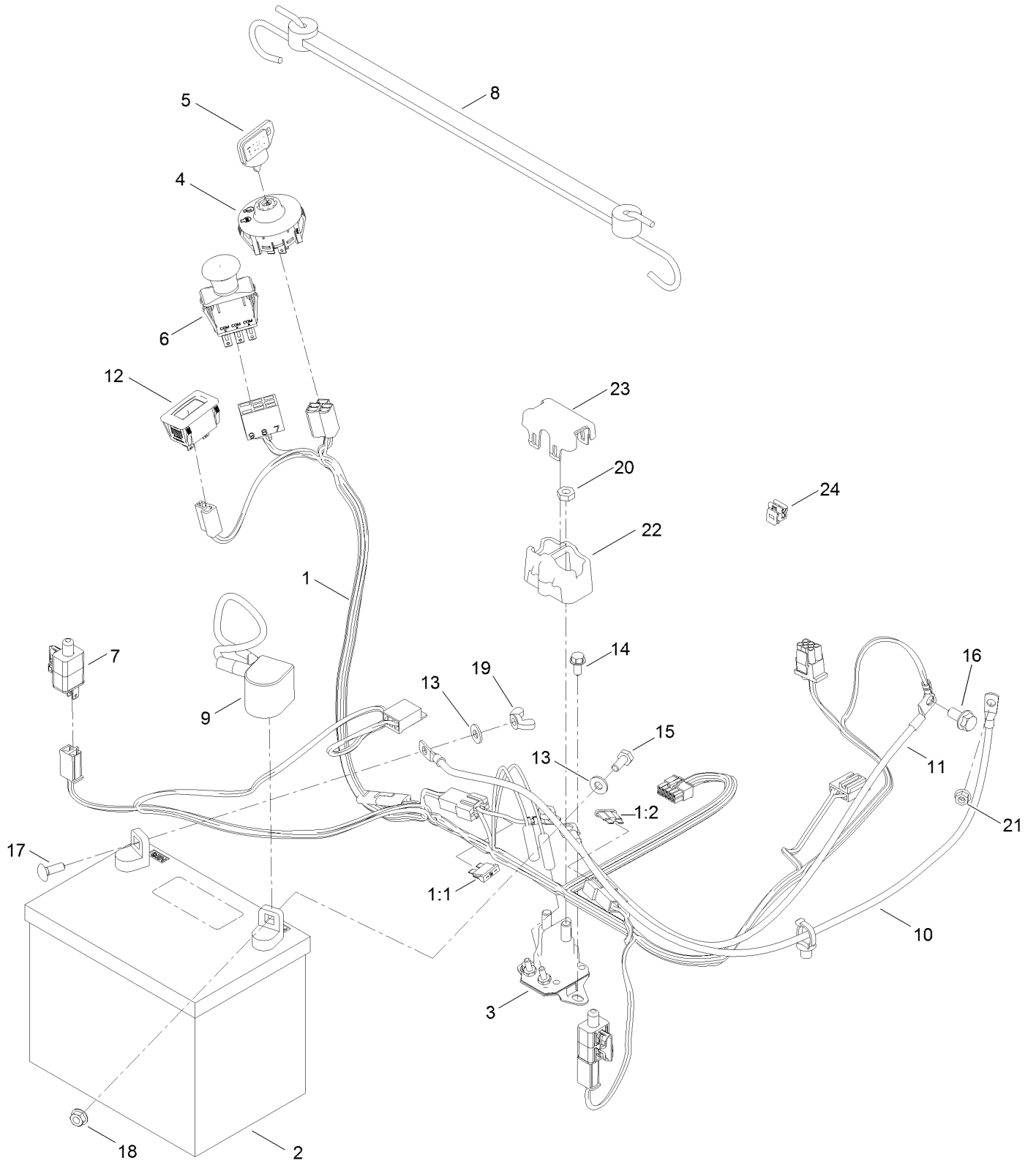
Body Styling and Fuel Pod Assembly



Body Styling and Fuel Pod Assembly (continued)

<i>Ref.</i>	<i>Part Number</i>	<i>Qty.</i>	<i>Description</i>	<i>Ref.</i>	<i>Part Number</i>	<i>Qty.</i>	<i>Description</i>
1	138-6070-03	1	Support-Pod, RH	12	139-2395	1	Decal-Control Lever, LH
2	138-6071-03	1	Support-Pod, LH	13	139-2394	1	Decal-Control Lever, RH
3	139-3271-03	1	Support-Tank, Fuel	14	139-2403	1	Cable-Throttle
4	138-6074	1	Pod-LH	15	139-2402	1	Cable-Choke
5	138-6075	1	Pod-RH	16	139-2388	1	Decal-Smart Speed
6	138-6072	1	Fuel Tank ASM	18	109-0298	1	Line-Fuel
6:1	139-1091	1	Connector-Elbow, 90 DEG	19	110-3447	1	Hose-Fuel
6:2	117-7400	1	Fitting-Plastic	23	117-5399	1	Adaptor-Orifice
6:3	46-6560	2	Bushing	24	2412-98	3	Clamp-Hose
7	609830	2	Spring	25	614249	1	Tie-Cable
8	137-4119	1	Cap-Fuel, Ratcheting	26	3258-166	1	Screw-PRH
9	107069	1	Clip	27	120-7950	6	Screw
10	139-2380-05	1	Panel-Control	28	138-9753	6	Screw
11	140-2717	1	Decal-Panel Control	31	120-7893	1	Bumper-Grommet

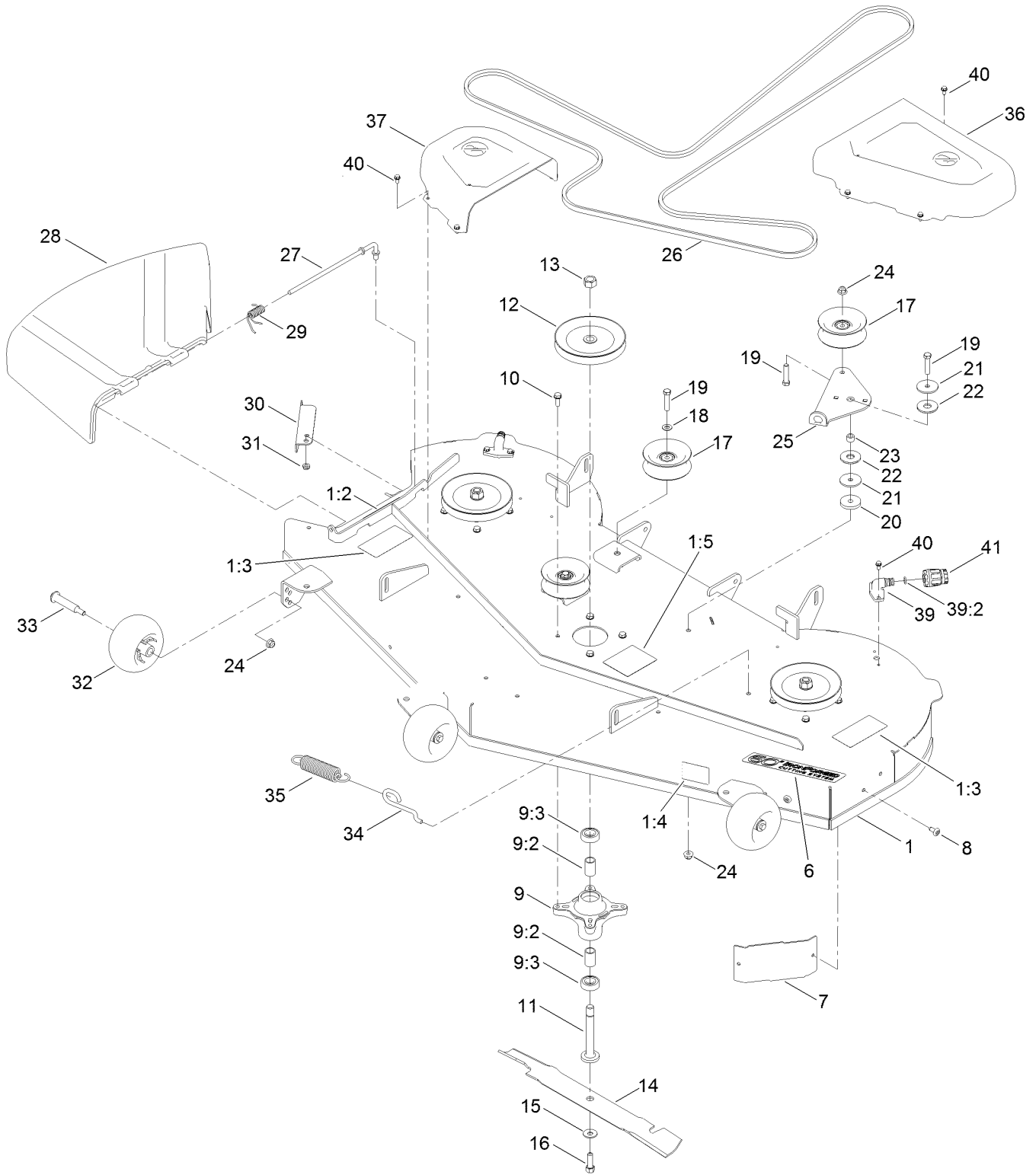
Electrical Assembly



Electrical Assembly (continued)

<i>Ref.</i>	<i>Part Number</i>	<i>Qty.</i>	<i>Description</i>	<i>Ref.</i>	<i>Part Number</i>	<i>Qty.</i>	<i>Description</i>
1	138-2521	1	Harness-Wire	12	120-2244	1	Hourmeter
1:1	109355	1	Fuse-Blade, 15 Amp	13	3256-22	2	Washer-Flat
1:2	109102	1	Fuse-Blade, 25 Amp	14	32144-4	2	Screw-HWH
2	105-1692	1	Battery	15	321-3	1	Screw-HH
3	117-1197	1	Solenoid	16	3234-14	1	Screw-HHF
4	137-4100	1	Switch-Ignition	17	3229-1	1	Bolt-CARR
5	63-8360	1	Key-Ignition	18	32128-33	1	Nut-HF
6	103-5221	1	Switch-PTO	19	32103-22	1	Nut-Wing
7	110-6765	2	Switch	20	3220-2	2	Nut-Jam
8	139-2381	1	Strap-Rubber	21	33003-00	1	Nut-HF
9	140-2713	1	Cable-Battery, Pos	22	140-2080	1	Cover-Solenoid
10	139-2431	1	Cable-Battery, Red (8 Gauge)	23	140-2081	1	Cap-Solenoid
11	110-6793	1	Cable-Battery, Black	24	32180-418	1	Clip-Harness

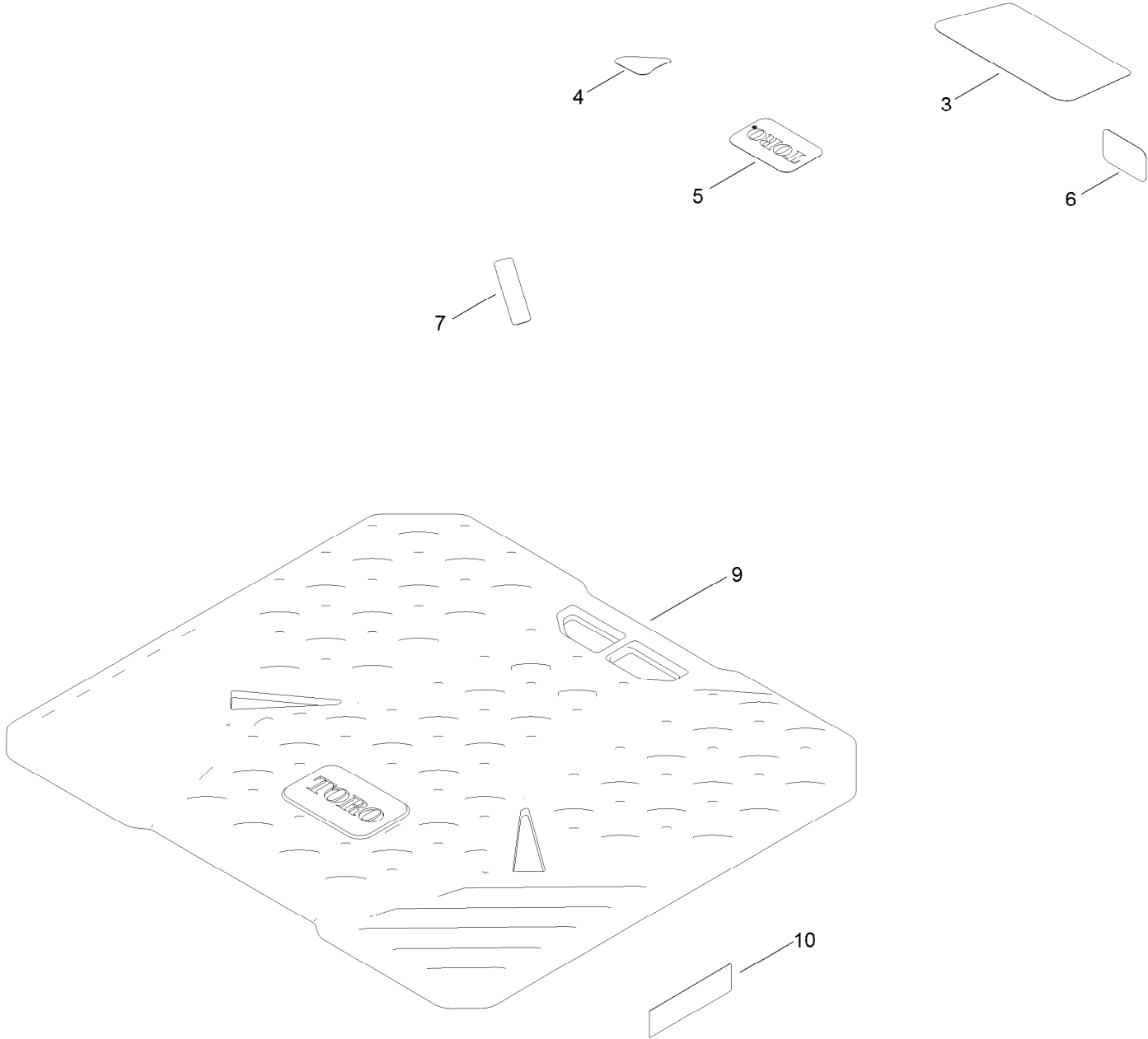
60 Inch Deck and Decal Assembly



60 Inch Deck and Decal Assembly (continued)

<i>Ref.</i>	<i>Part Number</i>	<i>Qty.</i>	<i>Description</i>	<i>Ref.</i>	<i>Part Number</i>	<i>Qty.</i>	<i>Description</i>
1	138-9768	1	60In Deck And Decal ASM	21	63-7400	2	Washer-Rebound
1:2	93-7009	1	Decal-Danger	22	114-0463	2	Washer-Friction, Composite
1:3	132-0872	2	Decal-Danger, Deck	23	115-4986	1	Spacer
1:4	112-9840	1	Decal-Scalp, Anti	24	104-8301	5	Nut-HF, NI
1:5	99-3943	1	Decal-Routing, Belt	25	138-7262	1	Arm-Idler
6	139-3209	1	Decal - Deck	26	109-3661	1	Belt
7	139-2448-03	1	Baffle-Corner	27	137-2019	1	Rod-Pivot
8	138-9753	2	Screw	28	138-7502	1	Deflector-Discharge
9	139-3214	3	Spindle ASM	29	138-7268	1	Spring-Torsion
9:2	120-7935	2	Spacer	30	138-9800-03	1	Baffle-Cutoff
9:3	138-9770	2	Bearing-Ball	31	3296-59	1	Nut-Lock, NI
10	32144-41	12	Screw-Taptite	32	1-603299	3	Roller-Scalp, Anti
11	117-7268	3	Shaft-Spindle	33	112-3977	3	Bolt-Shoulder
12	133-1199	3	Pulley	34	138-7266	1	Spring-Return, Hook
13	3219-6	3	Nut-Hex	35	138-7264	1	Spring-Extension
14	115-9649-03	3	Blade-Hi Flow	36	133-9282	1	Cover-Belt, LH
15	3290-465	3	Washer-Belleville	37	133-9283	1	Cover-Belt, RH
16	26-0671	3	Screw-HH	39	133-9289	2	Fitting-Washout
17	132-9420	3	Pulley-Idler, Flat	39:2	133-9290	1	O-Ring
18	3256-24	2	Washer-Flat	40	32144-4	12	Screw-HWH
19	323-9	4	Screw-HH	41	95-3270	1	Connector-Hose
20	110-9981	1	Washer-Plain				

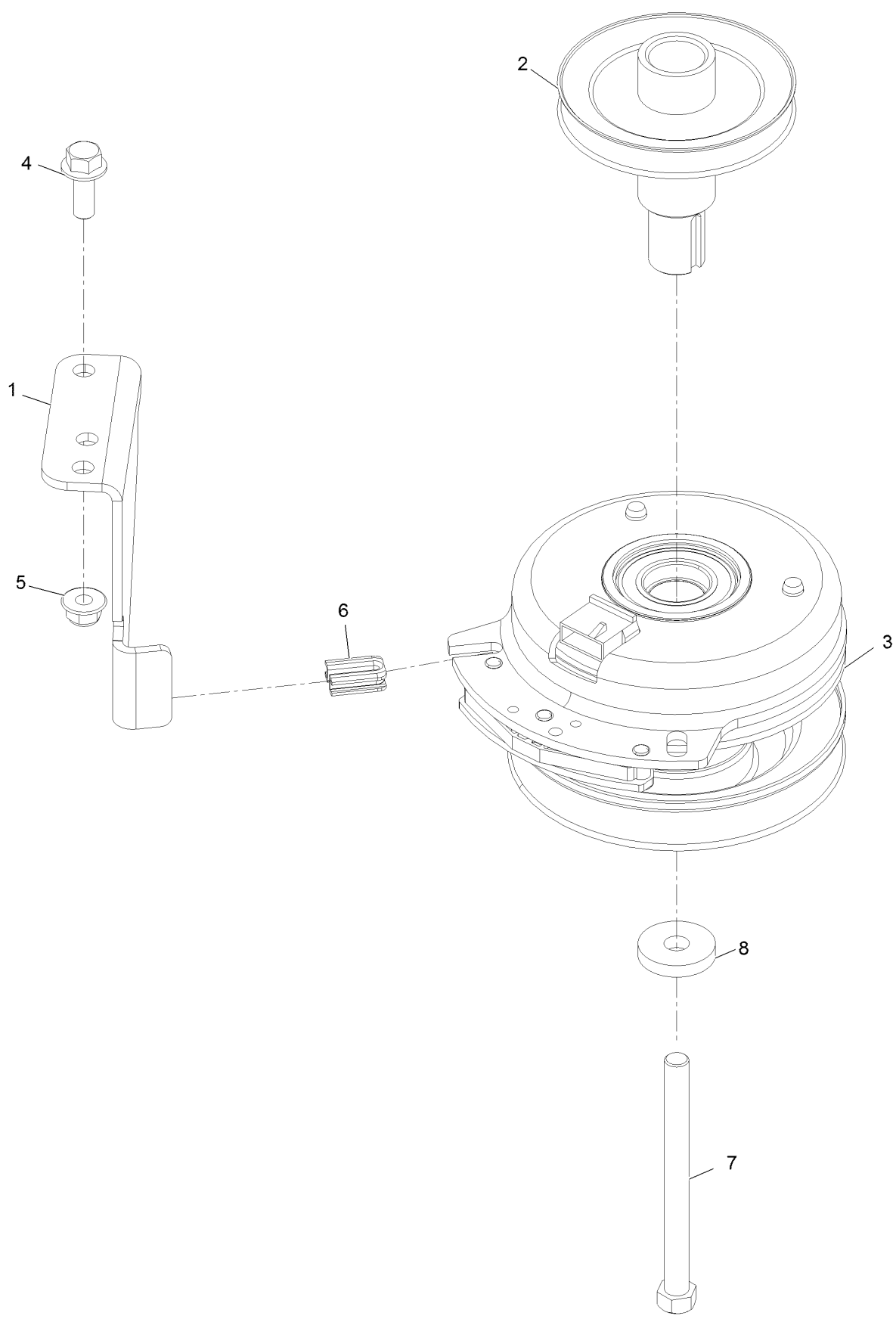
Frame Decal Assembly



Frame Decal Assembly (continued)

<i>Ref.</i>	<i>Part Number</i>	<i>Qty.</i>	<i>Description</i>	<i>Ref.</i>	<i>Part Number</i>	<i>Qty.</i>	<i>Description</i>
3	136-5597	1	Decal-Engine	7	132-0904	1	Decal-Shutdown
4	131-1097	1	Decal-Drain, Oil	9	139-5899	1	Floor Mat
5	131-4157	1	Decal	10	140-2099	1	Decal
6	127-9076	1	Placard-Intake				

Clutch Assembly



Clutch Assembly (continued)

<i>Ref.</i>	<i>Part Number</i>	<i>Qty.</i>	<i>Description</i>	<i>Ref.</i>	<i>Part Number</i>	<i>Qty.</i>	<i>Description</i>
1	137-7000	1	Stop-Clutch (Wide)	5	104-8301	1	Nut-HF, NI
2	138-9792	1	Pulley-Engine	6	120-2217	1	Isolator-Clutch
3	127-3410	1	Clutch-PTO	7	3212-19	1	Screw-HH
4	3234-42	1	Screw-HHF	8	112843	1	Washer

Attachments and Accessories

For 75760 TimeCutter 6000 Riding Mower

Product Name	Model/Part
Twin Bagger, Timecutter 60 Inch	79413
60 Inch Recycler Kit.....	139-3290
60 Inch Bagging Enhancement Kit.....	140-3508
54in/60in Striping Kit.....	117-5319
Hourmeter Kit	116-5461
Front Weight Kit.....	140-2050
Assist Bar Kit	140-2052
ROPS Kit	79485
Slope Sensor Kit.....	79486
LED Light Kit.....	140-2056
Sunshade Kit	140-2054
Floormat Kit	140-2060
Jack Mount Kit	140-2711
Jack Kit.....	127-6666
BLADE-HI FLOW, 20.5IN FOR 60IN TC - 3	115-9649-03P
Storage Cover	490-7516
Seat Cover w/Arm Rest	117-0097
4-Cycle Fuel, Snow And Lawn 32oz Can	131-3823
Heavy Duty Air Cleaner Kit	135-6195
Fuel Stabilizer .05 oz	130-2393
Toro Premium Fuel Treatment 12 Oz Bottle	131-6572
10w30 4-Cycle Engine Oil (32oz Bottle).....	38280
Toro 4-Cycle SAE 30 Oil (32oz Bottle)	38903
Hypr-Oil 500 (quart).....	114-4713
Maintenance Kit Toro V-twin Engine	139-0646
Maintenance Kit Toro	139-0649

Notes:

Notes:

Notes:



Count on it.