

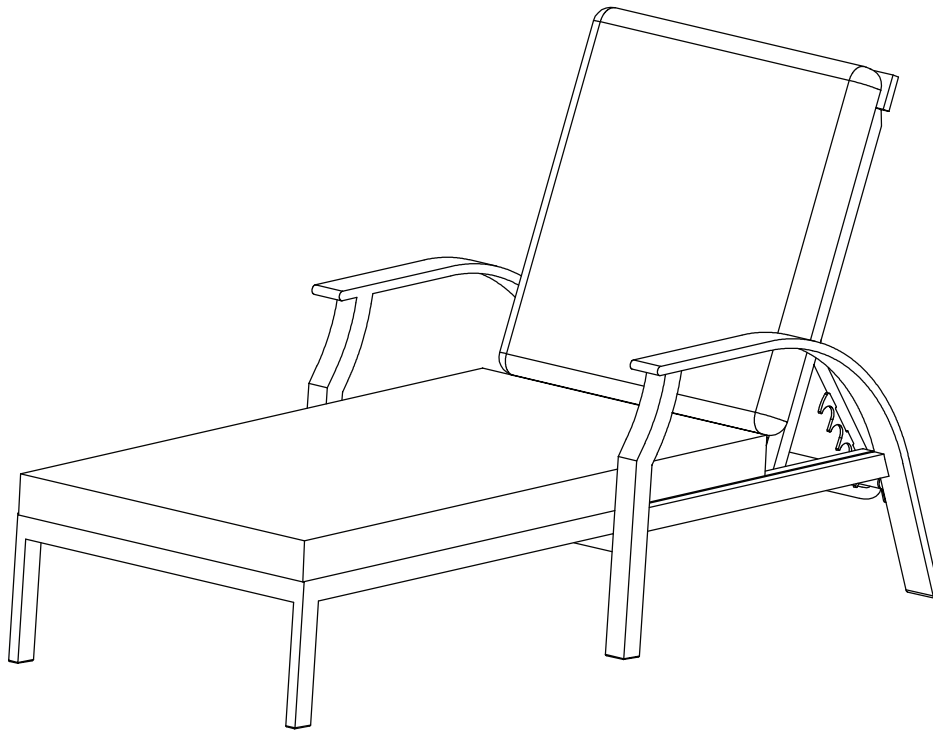
Item # 1005 442 740  
Model # FBS60431-BA

# HAMPTON BAY®

## USE AND CARE GUIDE

---

### GENEVA CHAISE LOUNGE-BARE



Questions, problems, missing parts? Before returning to the store,  
call Hampton Bay Customer Service  
8 a.m. - 7 p.m., EST, Monday – Friday, 9 a.m. – 6 p.m., EST, Saturday

**1-855-HD-HAMPTON**

**HAMPTONBAY.COM**

---

#### **THANK YOU**


*We appreciate the trust and confidence you have placed in Hampton Bay through the purchase of this chaise. We strive to continually create quality products designed to enhance your home. Visit us online to see our full line of products available for your homeimprovement needs. Thank you for choosing Hampton Bay!*


# Table of Contents

Table of Contents . . . . .	2	Pre-Assembly . . . . .	3
Important Safety Instructions . . . . .	2	Planning Assembly . . . . .	3
Save These Instructions . . . . .	2	Hardware Included . . . . .	4
Read All Instructions before Use . . . . .	2	Package Contents . . . . .	4
Warranty . . . . .	3	Assembly . . . . .	5
What is covered . . . . .	3	Care and Cleaning . . . . .	7
What is not covered . . . . .	3		

## Important Safety Instructions

### SAVE THESE INSTRUCTIONS


 **WARNING:** THIS CHAISE WAS MADE FOR THE EXPLICIT PURPOSE OF PROVIDING OUTDOOR FUNCTIONS AND IS NOT TO BE USED AS A TOY. THIS PRODUCT IS INTENDED FOR NORMAL OUTDOOR USE; HOWEVER, THE MANUFACTURER RECOMMENDS STORING AND/OR COVERING THIS PRODUCT WHEN ANY FORMIDABLE/SEVERE WEATHER IS APPROACHING.

 **WARNING:** DO NOT LOCATE THIS PRODUCT NEAR OPEN FLAMES. DO NOT USE THIS PRODUCT AS A SUPPORT. DO NOT SHAKE, LEAN OR CLIMB ON THE PRODUCT. CHILDREN UNDER THE AGE OF 10, NEAR THE PRODUCT, SHOULD BE SUPERVISED BY A COMPETENT ADULT AT ALL TIMES. THIS PRODUCT IS NOT INTENDED FOR COMMERCIAL USE AND WILL VOID THE WARRANTY.


### READ ALL INSTRUCTIONS BEFORE USE


To reduce the risk of injury to persons:


1. Close supervision is necessary when this furnishing is used by or near children, or disabled persons, if applicable.
2. Use this furnishing only for its intended use as described in these instructions. Do not use attachments not recommended by the manufacturer.
3. Do not move the chaise while it is occupied. Failure to obey this caution could result in injury.
4. Do not rock in the chaise as you may fall and cause serious injury.
5. Please keep children out of the assembly area before assembly.

 **CAUTION:** When not in use, secure the product in a cool and covered location.

 **CAUTION:** Do not locate the product near any heat sources.

 **WARNING:** Weight limit for the chaise is 250lbs (113.39Kg).

 **WARNING:** This chaise unit is heavy, and may require two adults for safe assembly.

 **WARNING:** Never use this product as a support. Do not shake, lean, or climb on the product at any time.

 **WARNING:** Do not place heavy objects on the chaise.

## Warranty

---

### 3 YEAR FRAME LIMITED WARRANTY

#### WHAT IS COVERED

We warrant the frames to be free of manufacturing defects to the original purchaser for three years.

#### WHAT IS NOT COVERED

It remains the customer's responsibility for freight and packaging charges to and from our service center. This warranty does not cover commercial use, hardware, acts of nature, fire, freezing and abusive use. In addition, purchased parts are not covered under this warranty. We reserve the right to make substitutions with similar merchandise, if the model in question is no longer in production.

Contact the Customer Service Team at 1-855-HD-HAMPTON or visit [www.HAMPTONBAY.com](http://www.HAMPTONBAY.com).

## Pre-assembly

---

### PLANNING ASSEMBLY

Read all instructions before assembly.

To avoid damaging this product, assemble it on a soft, non-abrasive surface such as carpet or cardboard.



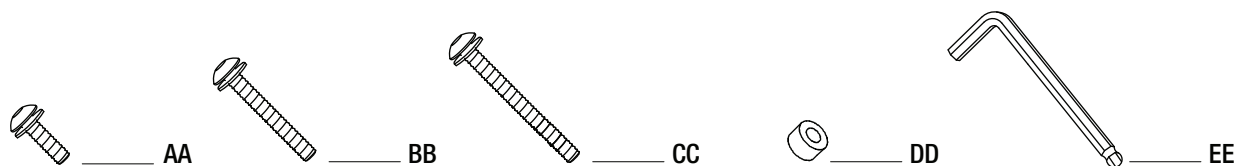
**NOTE:** More than one person may be required to assemble this product.

# Pre-assembly (continued)

## HARDWARE INCLUDED

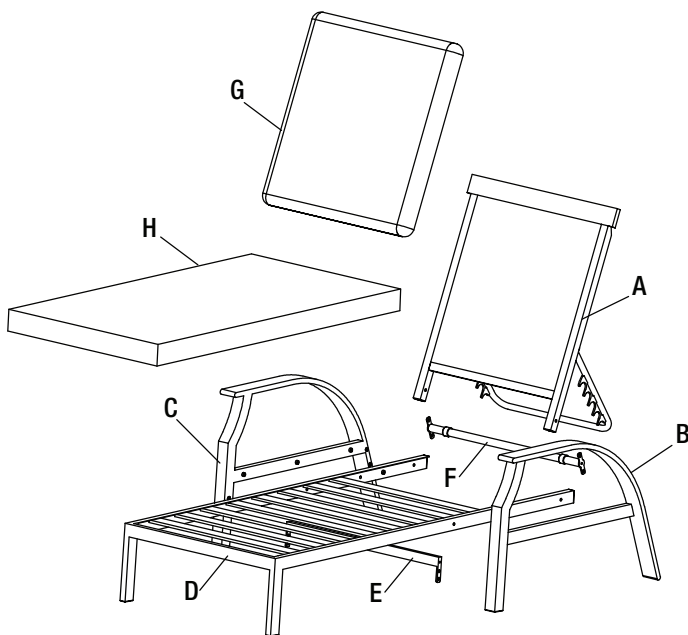


NOTE: Hardware not shown to actual size.



Part	Description	Quantity
AA	M6x15 Combination Bolt	8+1
BB	M6x30 Combination Bolt	6+1
CC	M6x50 Combination Bolt	2+1
DD	Plastic Washer	2+1
EE	Hex Wrench	1

## PACKAGE CONTENTS



Part	Description	Quantity
A	Backrest	1
B	Left Arm	1
C	Right Arm	1
D	Seat	1
E	Front Connection Bar	1
F	Rear Connection Bar	1
G	Back Cushion	1
H	Seat Cushion	1

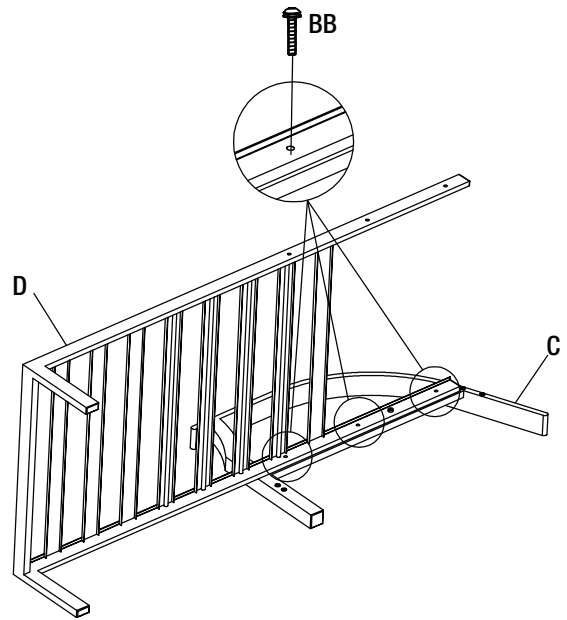
# Assembly

## 1 Connecting The Seat To The Right Arm



**NOTE:** Loosely tighten all bolts using the hex wrench (EE).

- Place the right arm (C) on a soft surface.
- Connect the seat (D) to the right arm (C) using M6x30 combination bolts (BB).

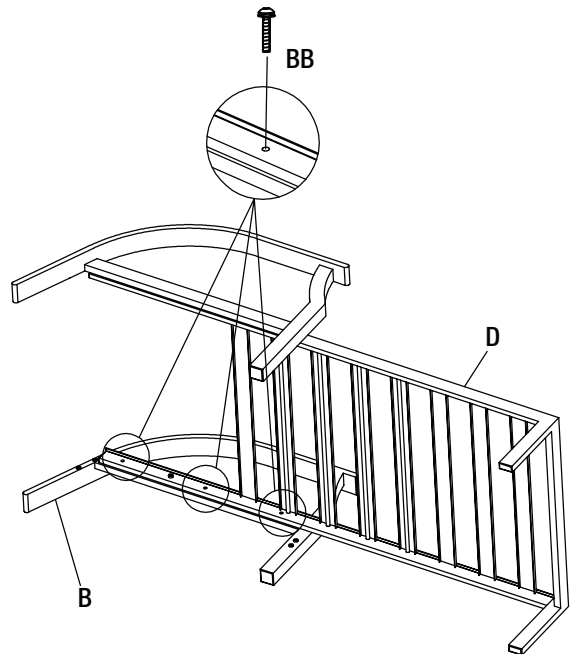


## 2 Connecting The Seat To The Left Arm



**NOTE:** Loosely tighten all bolts using the hex wrench (EE).

- Place the left arm (B) on a soft surface.
- Connect the seat (D) to the left arm (B) using M6x30 combination bolts (BB).



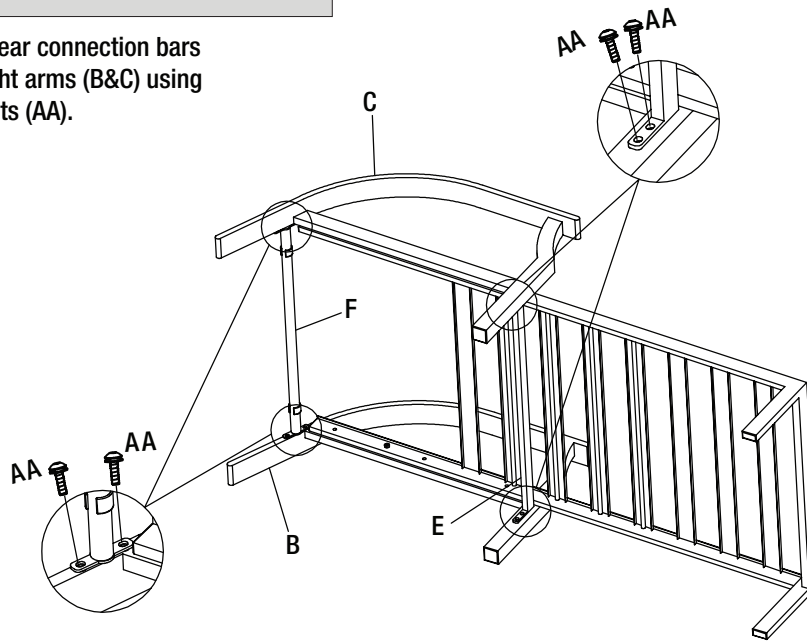
## Assembly (continued)

### 3 Connecting The Connection Bars To The Arms



**NOTE:** Loosely tighten all bolts using the hex wrench (EE).

- Connect the front and rear connection bars (E&F) to the left and right arms (B&C) using M6x15 combination bolts (AA).

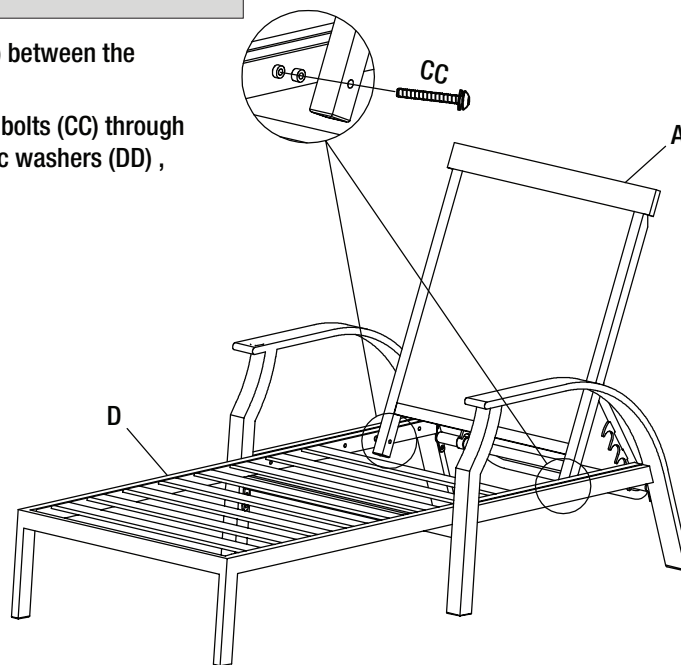


### 4 Attaching The Backrest To The Seat



**NOTE:** Loosely tighten all bolts using the hex wrench (EE).

- Place the plastic washers (DD) between the backrest (A) and the seat (D).
- Insert the M6x50 combination bolts (CC) through the backrest (A) and the plastic washers (DD), then attach to the seat (D).



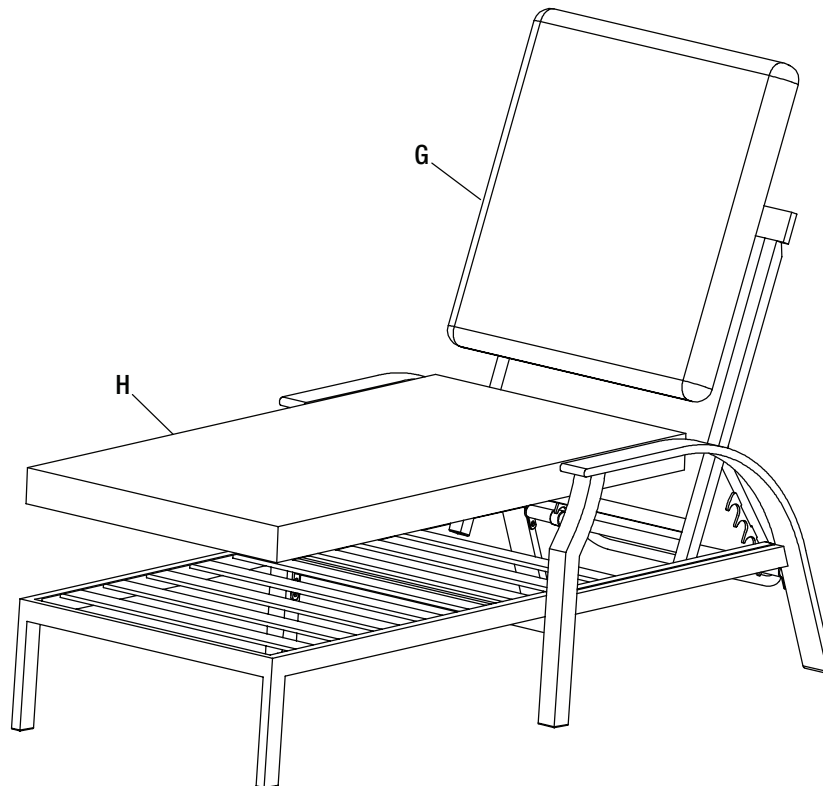
## Assembly (continued)

### 5 Tightening The Bolts



**NOTE:** Loosely tighten all bolts using the hex wrench (EE).

- Once all the bolts are in place, fully tighten the bolts.
- Turn the chaise right side up.
- Place the seat cushion (H) and back cushion (G) on the chaise lounge.
- Ensure that all connections are secure before use.



## Care and Cleaning

- For best results, clean the frame and fabric with a damp cloth and dry thoroughly. This will help prevent mildew by removing dirt particles that may accumulate.
- Do not clean with abrasive materials, bleach or solvents.
- Store the chaise in a dry sheltered place when not in use.
- Keep the chaise away from fire, extreme heat, freezing conditions, and inclement weather such as rain, hail, sleet, snow, or wind.

# HAMPTON BAY<sup>®</sup>

Questions, problems, missing parts? Before returning to the store,  
call Hampton Bay Customer Service  
8 a.m. – 7 p.m., EST, Monday – Friday, 9 a.m. – 6 p.m., EST, Saturday

**1-855-HD-HAMPTON**

**HAMPTONBAY.COM**

Retain this manual for future use.

For certification use only
Factory Chaise Lounge ID #FBS60431