



DOWNLOAD FULL SPECS  
& INSTRUCTIONS AT  
**EZ-CRETE.COM**

# EZ-TUBE

FORGET MIXING

# KEEP BUILDING

With no mixing, no mess  
and no cure time,  
EZ-TUBE streamlines  
your building process.

**EZ-CRETE**  
LLC

FOR MORE DETAILS,  
INSTRUCTIONS AND A LIST  
OF DISTRIBUTORS, VISIT:

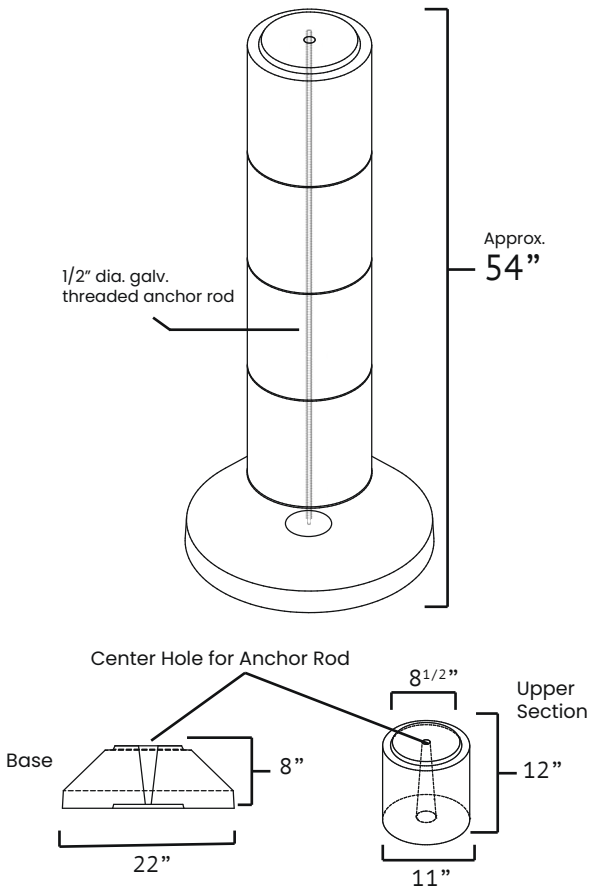
**EZ-CRETE.COM**



# EZ-TUBE

INSTALLS BY HAND — READY TO BUILD  
ON IN MINUTES

## Typical EZ-TUBE Stack with Base Section & Four Upper Sections



## SPECS:

- Upper Section Weight: 70 lbs. typ.
- Base Section Weight: 120 lbs. typ.
- Stack Height: Approx. 54" (as shown)
- Base: 22" Diameter
- Load Rating: 135,000 lbs. at top
- 60" or 72" x 1/2" galv. anchor rod with base plate, top washer and nut