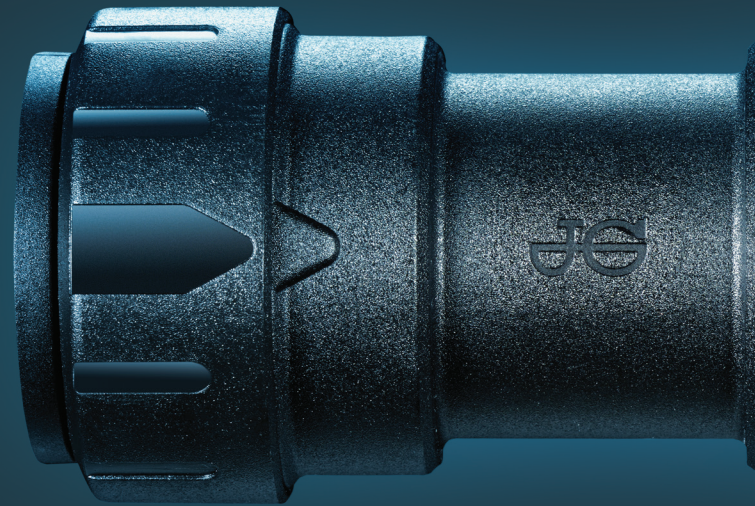
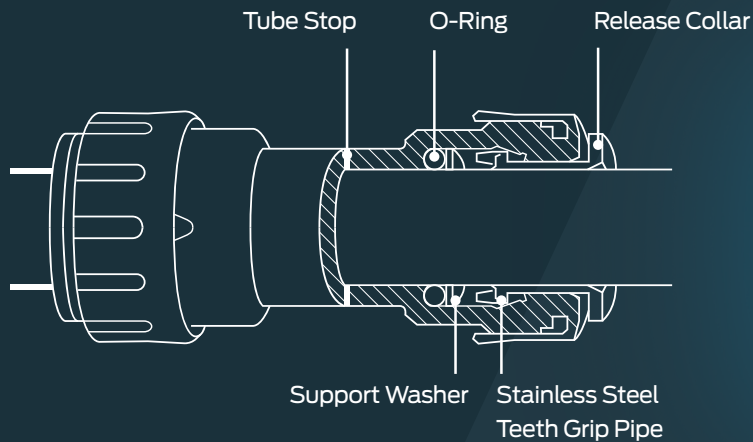


How to make a ProLock Connection

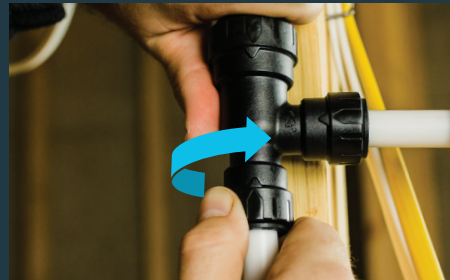


To Connect



Step 1: Push

When cutting SharkBite PE-RT Pipe, ensure that the ends are cut square and the surface is smooth. Ensure that both the ProLock fittings and pipe are clean and free of debris. Push pipe onto fitting.



Step 2: Twist

Turn the locking cap quarter turn clockwise to the locked position, an audible click will be heard.



Step 3: Lock

To ensure that the fitting has been locked, check to make sure the indicator marks are aligned.

Keep product clean in a bag until ready to use.

To Disconnect

1. Depressurize the system.
2. Turn locking cap quarter turn counter clockwise.
3. Push against release collar and pull pipe to release.

