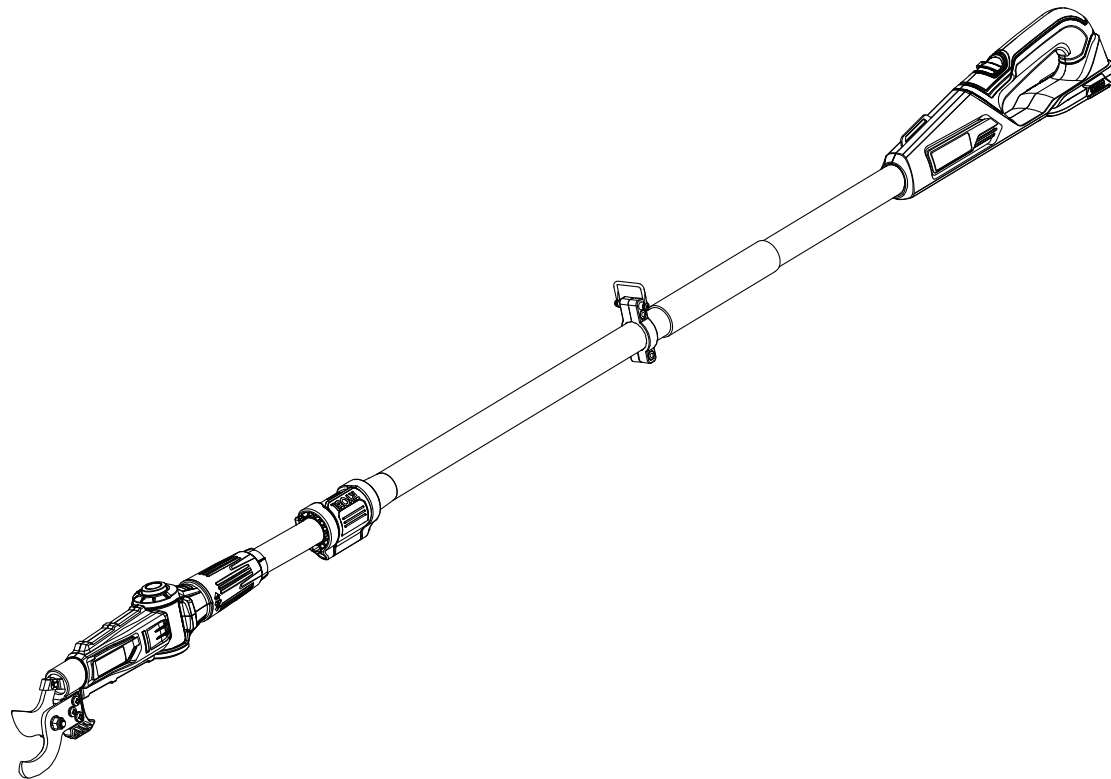


REPAIR SHEET

| | | |
|------------------------------|------------------------------|-------------------------------------------|
| BRAND RYOBI | | DESCRIPTION 18 Volt Pole Lopper |
| MODEL NO. P2506VNM | MFG. NO. 108759003 | |

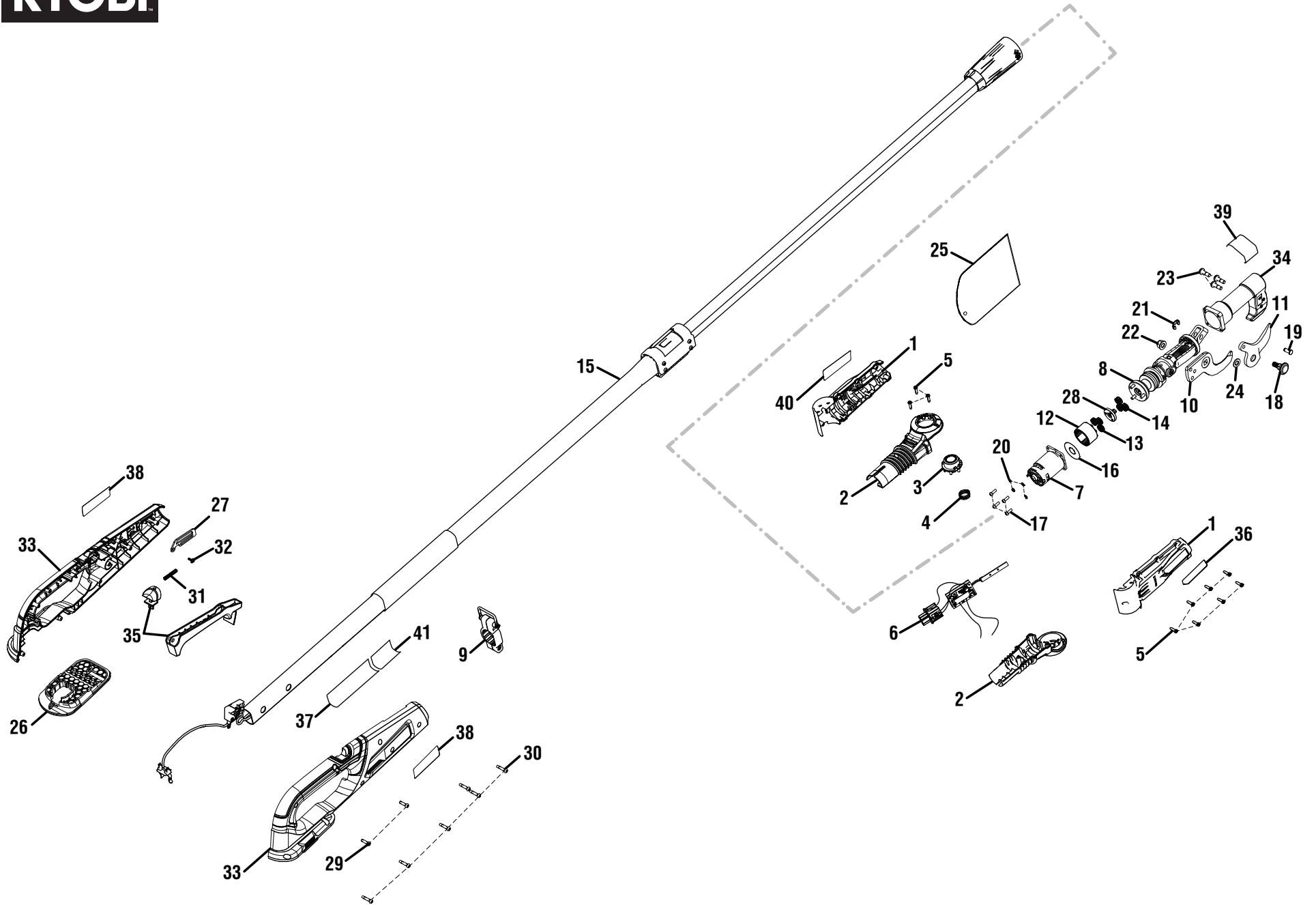


TECHTRONIC INDUSTRIES POWER EQUIPMENT

P.O. Box 1288, Anderson, SC 29622 ■ 1-800-525-2579 ■ www.ryobitools.com

9-16-21 (Rev:02)

The model number and manufacturing location will be found on a label attached to the product. Always mention this information in all communications regarding this product and when ordering parts.



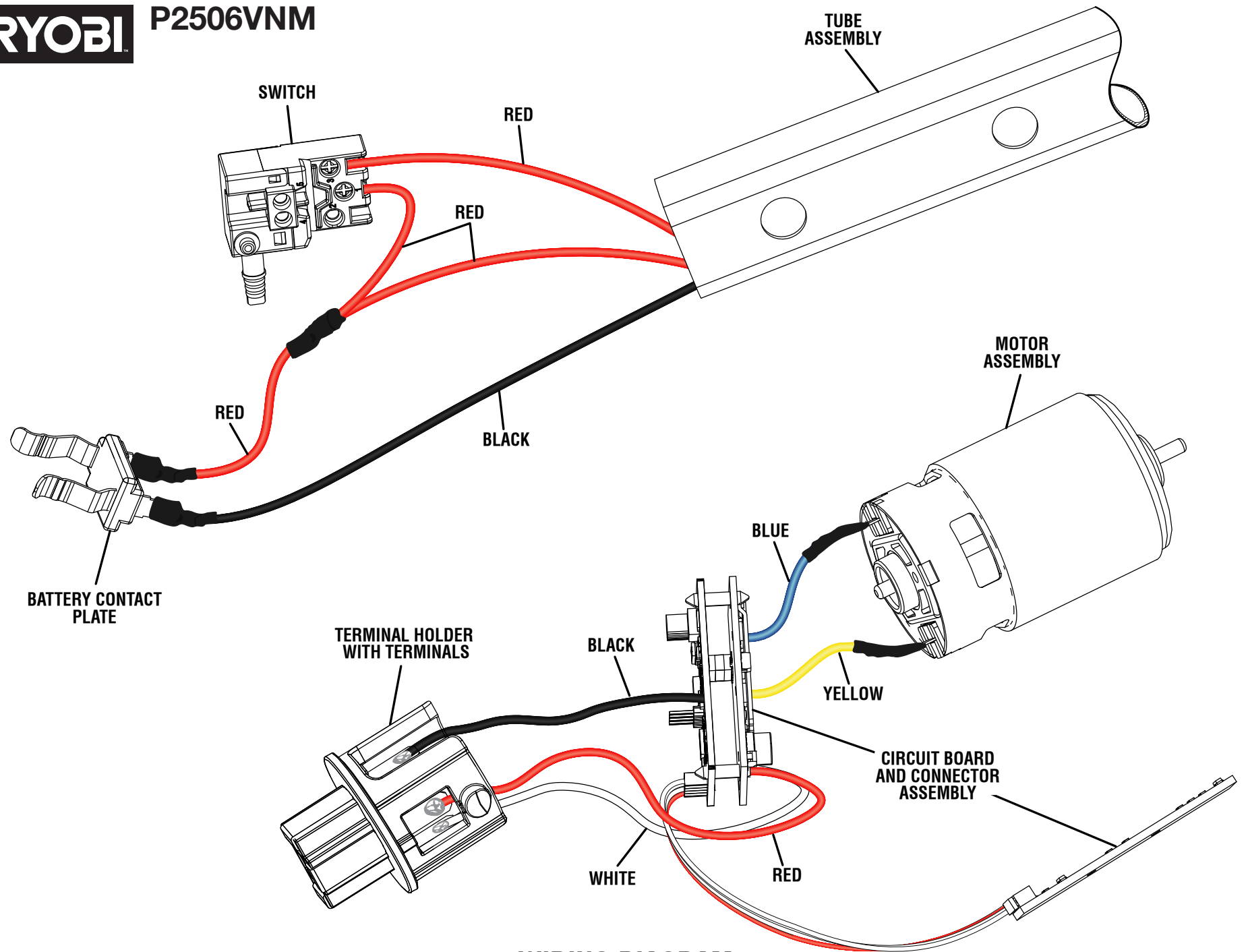


P2506VNM

PARTS LIST

| KEY NO. | PART NO. | DESCRIPTION | QTY. |
|---------|-----------|-------------------------------------------------------|------|
| 1 | 318095001 | Cutting Head Housing Assembly (Inc. Key Nos. 36 & 40) | 1 |
| 2 | 318416001 | Top and Bottom Housing Assembly | 1 |
| 3 | 538065001 | Pivot Button | 1 |
| 4 | 698433001 | Spring | 1 |
| 5 | 661817001 | Screw (M4 x 13.5 mm, T15 Torx Pan Hd.) | 10 |
| 6 | 292191001 | Circuit Board and Connector Assembly | 1 |
| 7 | 230777001 | Motor and Pinion Assembly | 1 |
| 8 | 315951001 | Ball Screw and Bearings Assembly | 1 |
| 9 | 314077001 | Clamp Assembly | 1 |
| 10 | 682314001 | Fixed Blade | 1 |
| 11 | 682290001 | Cutting Blade | 1 |
| 12 | 612324001 | Ring Gear | 1 |
| 13 | 613242001 | 1st Layer Planet Gear | 3 |
| 14 | 613243001 | 2nd Layer Planet Gear | 3 |
| 15 | 318419001 | Tube Assembly (Inc. Key Nos. 37 & 41) | 1 |
| 16 | 680443009 | Washer | 1 |
| 17 | 660212049 | Screw (M4 x 12 mm, Pan Hd.) | 4 |
| 18 | 697491001 | Blade Pivot | 1 |
| 19 | 674025001 | Blade Pin | 1 |
| 20 | 670030009 | Spring Washer | 4 |
| 21 | 650027003 | E-Ring | 1 |
| 22 | 678774012 | Flange Nut (M8) | 1 |

| KEY NO. | PART NO. | DESCRIPTION | QTY. |
|---------|-------------------|----------------------------------------|------|
| 23 | 660880011 | Screw (1/4"-20UNC-2A x 0.736 in.) | 3 |
| 24 | 659711001 | Washer (ID12.5 x OD20 x 0.1t) | 1 |
| 25 | 903403001 | Blade Cover | 1 |
| 26 | 532644001 | Battery Foot | 1 |
| 27 | 634052001 | Shoulder Strap Hook | 1 |
| 28 | 613244001 | Sun Gear | 1 |
| 29 | 660024061 | Screw (M4 x 14 mm, T20 Torx Pan Hd.) | 2 |
| 30 | 660024020 | Screw (M4 x 18 mm, T-20 Torx Pan Hd.) | 6 |
| 31 | 694143003 | Spring for Safety Button | 1 |
| 32 | 660960002 | Screw (M3 x 8.5 mm, T10 Torx Pan Hd.) | 1 |
| 33 | 318417001 | Rear Handle Assembly (Inc. Key No. 38) | 1 |
| 34 | 318418001 | Housing Assembly (Inc. Key No. 39) | 1 |
| 35 | 314078001 | Trigger and Lock Button Assembly | 1 |
| 36 | 941263035 | Data Label | 1 |
| 37 | 941263036 | Icon Warning Label | 1 |
| 38 | 941263037 | RYOBI Logo Label | 2 |
| 39 | 941588802 | Icon Label | 1 |
| 40 | 940705490 | RYOBI Standard Logo Label | 1 |
| 41 | 941097030 | QR Label | 1 |
| | Not Shown: | | |
| | 998000588 | Operator's Manual | |



WIRING DIAGRAM