

Installing Stainless Steel Wall Bracket *Round for Flat and Round Tube*

Overview¹

These are instructions for proper installation of a Stainless Steel Wall Bracket Round for Flat and Round Tube, HBWA.008, into sheetrock, wood, or drywall surfaces

This bracket comes with a saddle for both flat and round tubing and a wall bracket screw/hanger bolt

Brackets should be installed with a maximum distance of 4'

Caution:

Wear protective ANSI approved safety glasses, working gloves and breathing mask at all times

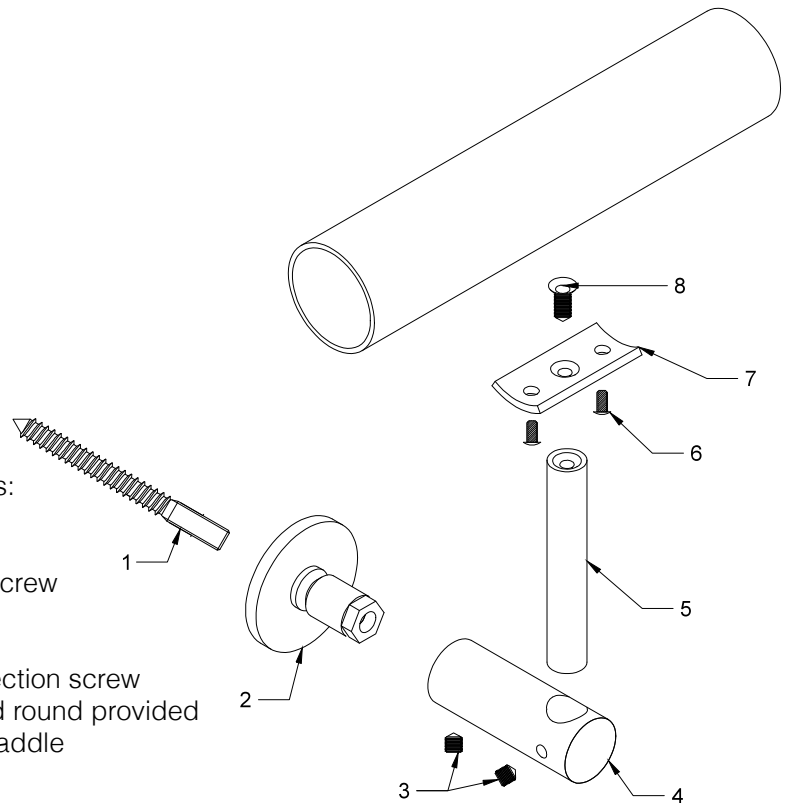


Tools Required

- 1) Stud-finder
- 2) Handheld Drill
- 3) 3/16"-1/4" Drill Bit
- 4) 13mm Wrench
- 5) 4mm Hex Wrench
- 6) 2.5mm Hex Wrench

HBWA.005 Components:

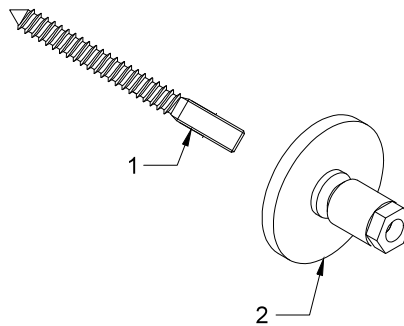
- 1: Wall Bracket Screw
- 2: Wall Flange
- 3: Small pointed head screw
- 4: Horizontal column
- 5: Vertical column
- 6: [not provided] Connection screw
- 7: Saddle - both flat and round provided
- 8: Connection bolt for saddle



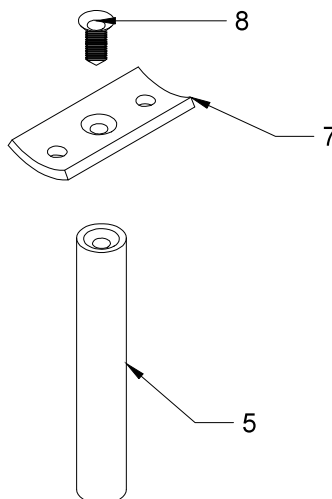
¹ This document includes hyperlinks and is intended to be viewed as a PDF file rather than print material

Instructions

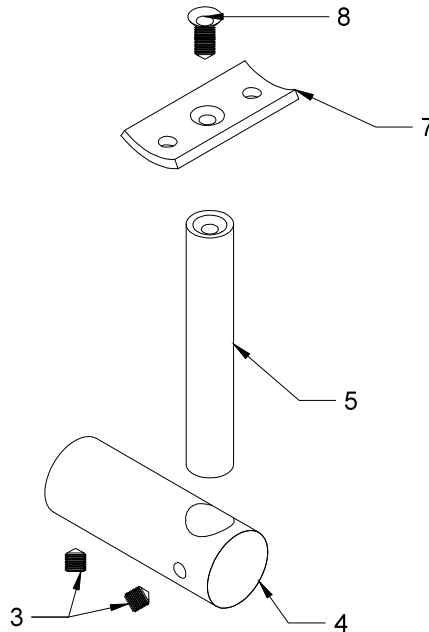
- 1) Begin with the wall flange and wall bracket screw/hanger bolt; thread the fine M8 threads into the flat side of the flange until finger tight



- 2) Using a stud-finder, locate a stud and spot drill using a 3/16" drill bit (this is true for wood or steel/metal stud). Drive the assembled screw & flange in your hole and secure by using a 13mm wrench
NOTE: You may instead use a nut driver and drill
- 3) Secure either the round or flat saddle onto the vertical column by tightening the connection bolt with a 4mm wrench



- 4) Back out 1-2 threads of the pointed hex screw using a 2.5mm allen wrench near the round hole, and position the vertical assembly at the desired height. Secure with 2.5mm allen wrench.



- 5) Back out 1-2 threads of the pointed hex screw on the underside of the main assembly with a 2.5mm allen wrench. Slide the main assembly onto the mounted wall flange and position at the desired orientation before tightening the screw again.
- 6) [Refer to these instructions to install Inline Design square or round tubing and additional hardware.](#)

NOTE: A small amount of surface corrosion is not uncommon after some exposure to weather or salty conditions; we recommend using our [passivation solution](#) or a stainless steel polish to prevent surface corrosion; more information available [on our Engineering Specs Page](#)