

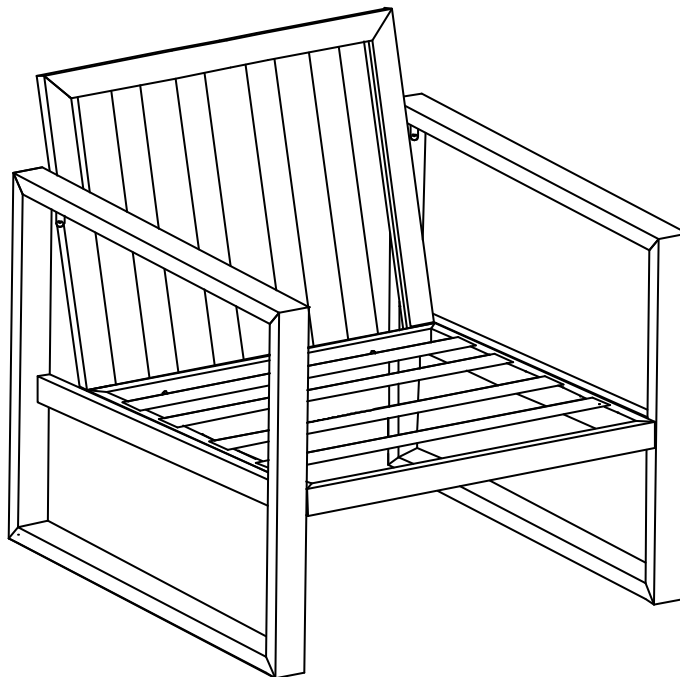


Item #

Model # DQ5460

USE AND CARE GUIDE

Barclay 4PC Steel Conversation Set (Single Chair)



Questions, problems, missing parts? Before returning to the store
call Hampton Bay Customer Service.

8 a.m. - 7 p.m., EST, Monday - Friday, 9 a.m. - 6 p.m., EST, Saturday

1-855-HD-HAMPTON

HAMPTONBAY.COM

THANK YOU

We appreciate the trust and confidence you have placed in Hampton Bay through the purchase of this conversation set. We strive to continually create quality products designed to enhance your home. Visit us online to see our full line of products available for your home improvement needs .

Thank you for choosing Hampton Bay!

Table of Contents

Table of Contents.....	2	Pre-Assembly-Single Chair	3
Important Safety Instructions.....	2	Planning Assembly	3
Save These Instructions	2	Hardware Included	3
Read All Instructions Before Use	2	Package Contents.....	4
Warranty	2	Assembly-Single Chair	5
What is Covered	2	Care and Cleaning-Single Chair.....	8
What is Not Covered	2		

Important Safety Instructions

SAVE THESE INSTRUCTIONS



WARNING: Never use this product as a support. Do not shake, lean, or climb on the product at any time.



WARNING: Do not place heavy objects on the product.

READ ALL INSTRUCTIONS BEFORE USE

When using a furnishing, basic precautions should always be followed, including the following:

To reduce the risk of injury to persons:

- a) Close supervision is necessary when this furnishing is used by, or near children, or disabled persons.
- b) Use this furnishing only for its intended use as described in these instructions. Do not use attachments not recommended by the manufacturer.

This Single chair was made for the explicit purpose of providing outdoor functions and is not to be used as a toy. This product is not intended for inclement / severe weather in any form including, but not limited to: rain, hail, sleet, snow and / or wind. The manufacturer recommends storing and / or covering this conversation set when formidable weather is approaching. Do not locate the product near open flames. Children under the age of 10, near the product, should be supervised by a competent adult at all times. This product is NOT intended for commercial use and will void the warranty.



CAUTION: Do not locate the product near any heat source.



CAUTION: When not in use, secure the product in a cool and covered location.

Warranty

2 YEAR LIMITED WARRANTY

WHAT IS COVERED

We warrant the single chair to be free of manufacturing defects to the original purchaser for two years.

WHAT IS NOT COVERED

It remains the customer's responsibility for freight and packaging charges to and from our service center. This warranty does not cover commercial use, hardware, acts of nature, fire, freezing and abusive use. In addition, purchased parts are not covered under this warranty. We reserve the right to make substitutions with similar merchandise, if the model in question is no longer in production.

Contact the Customer Service Team at 1-855-HD-HAMPTON or visit www.HamptonBay.com.

Pre-Assembly - Single Chair

PLANNING ASSEMBLY

Read all instructions before assembly.

To avoid damaging this product, assemble it on a soft, non-abrasive surface such as carpet or cardboard.



NOTE: More than one person may be required to assemble this product.

HARDWARE INCLUDED - SINGLE CHAIR



NOTE: Hardware not shown to actual size.



AA



BB

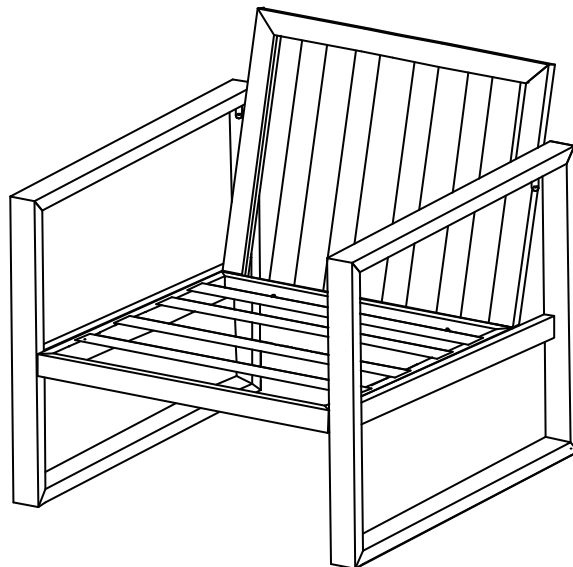


CC



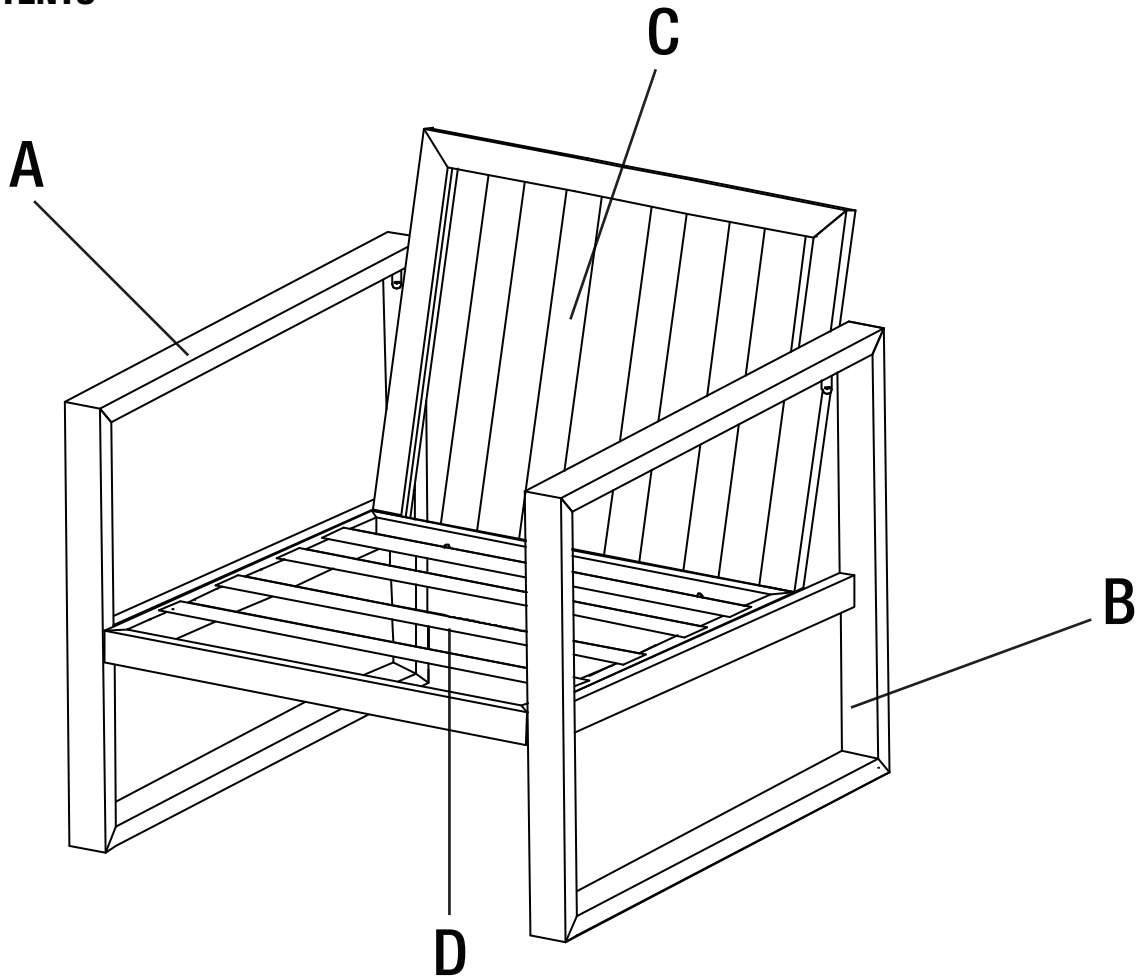
DD

Part	Description	Quantity
AA	Bolt M6*15	2
BB	Bolt M6*35	6
CC	Washer	8
DD	Hex Wrench	1



Pre-Assembly (continued)

PACKAGE CONTENTS

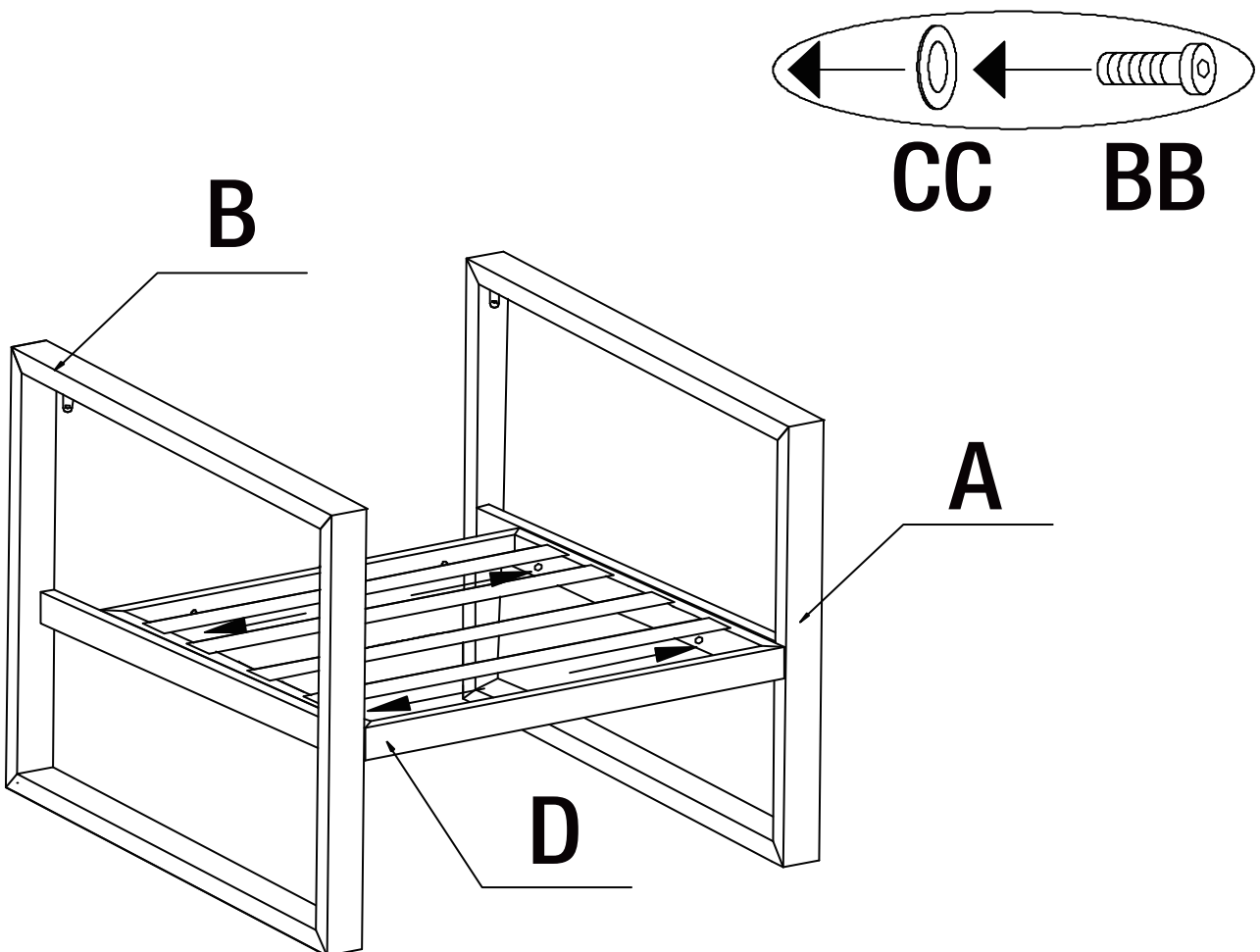


Part	Description	Quantity
A	Right Armrest	1
B	Left Armrest	1
C	Back	1
D	Seat	1

Assembly-Single Chair

1 Attaching the right armrest and left armrest to the seat

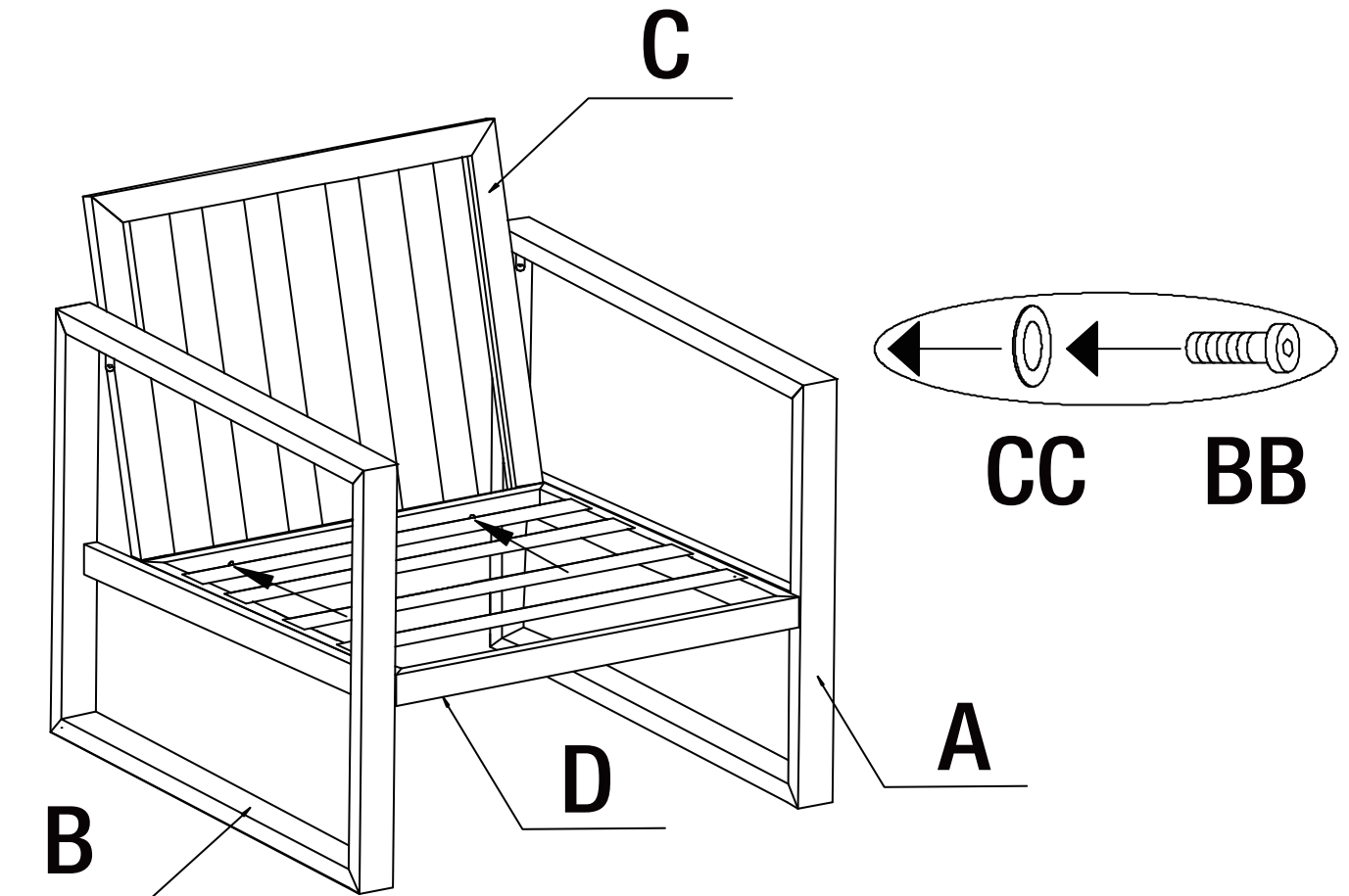
- Attach the right armrest (A) using bolts (BB) and washers (CC). Loosely tighten using hex wrench (DD). Repeat for the left armrest.



Assembly (continued)

2 Attaching the back

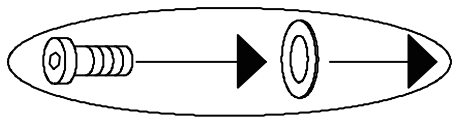
- Attach the back (C) to the seat (D) using bolts (BB) and washers (CC). Loosely tighten using the hex wrench (DD).



Assembly (continued)

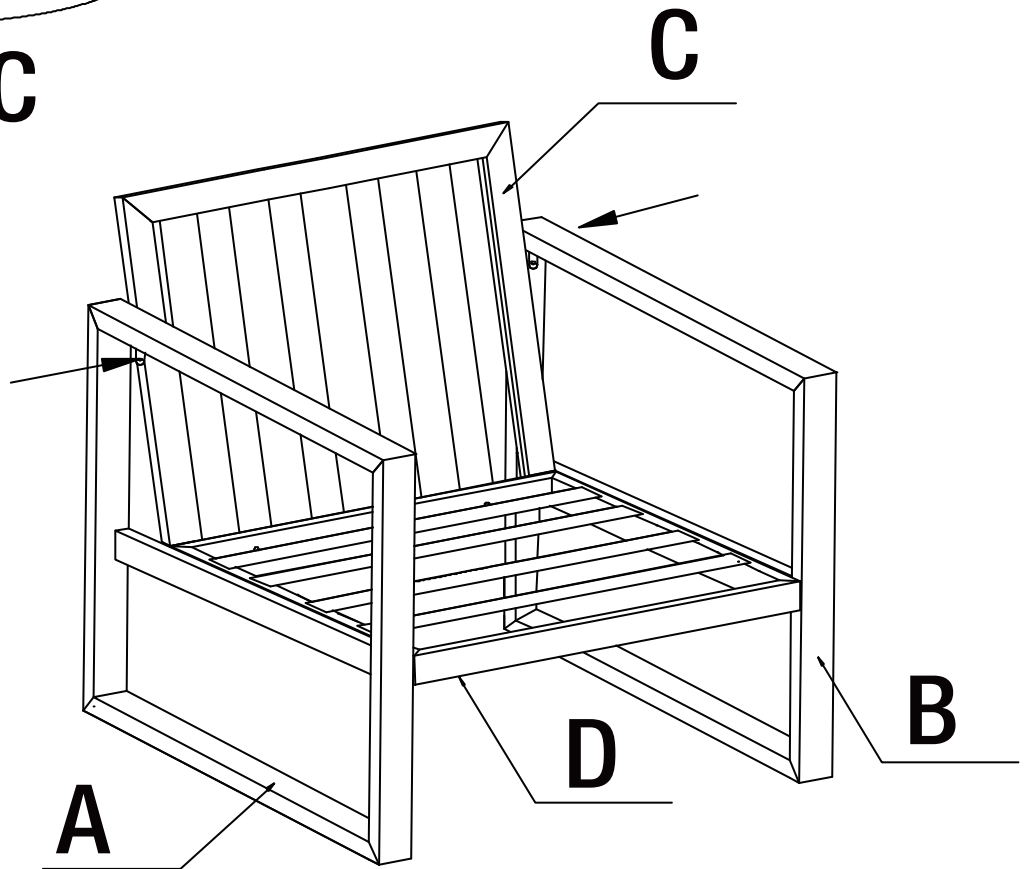
3 Attaching the back (Continued)

- Attaching the back (C) to the seat (D) using bolts (AA) and washers (CC). Loosely tighten using the hex wrench (DD).



AA

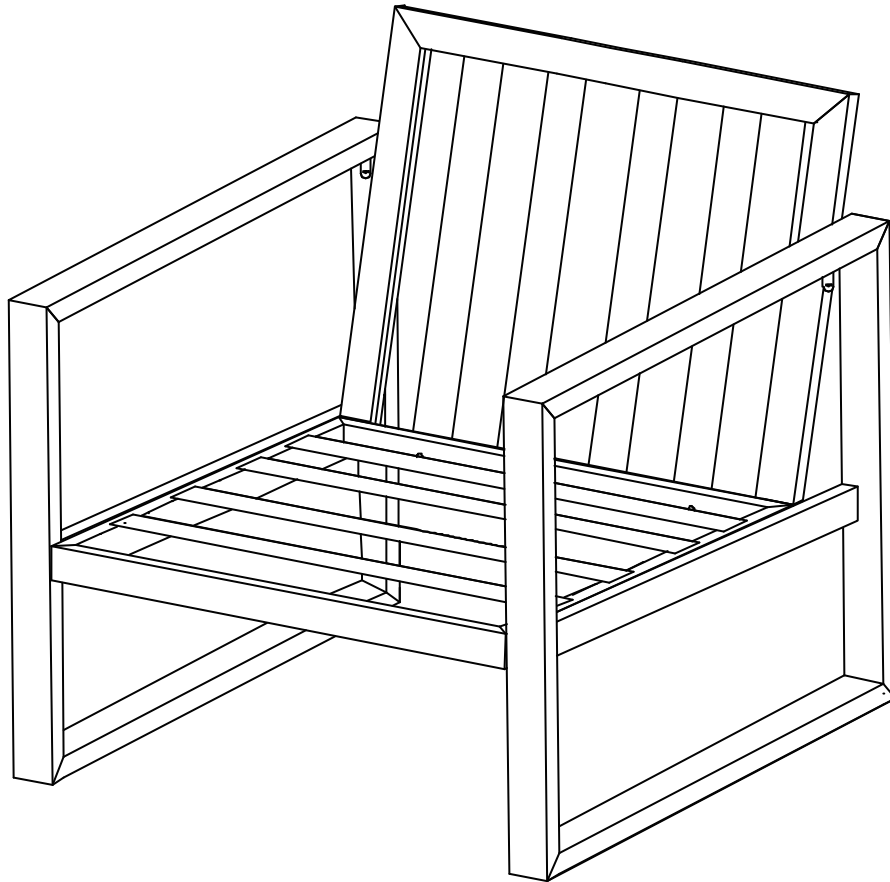
CC



Assembly (continued)

4 Checking the single chair

- Fully tighten all bolts.
- Ensure all connections are secure before use.



Care and Cleaning-Single chair

- For best results, clean the chair with a damp cloth and dry thoroughly. This will help prevent mildew by removing dirt particles that may accumulate.
- Do not clean with abrasive materials, bleach, or solvents.
- Store the chair in a dry, sheltered place when not in use.
- Keep the chair away from fire, extreme heat, freezing conditions, and inclement weather such as rain, hail, sleet, snow, or wind.



Questions, problems, missing parts? Before returning to the store,
call Hampton Bay Customer Service.
8 a.m. - 7 p.m., EST, Monday - Friday, 9 a.m. - 6 p.m., EST, Saturday

1-855-HD-HAMPTON

HAMPTONBAY.COM

Retain this manual for future use.

For certification use only

Factory ID # 2007206
