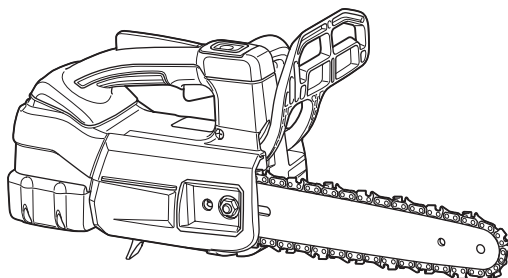


**INSTRUCTION MANUAL
MANUAL DE INSTRUCCIONES**



Cordless Chain Saw Electrosierra Inalámbrica

**XCU05
XCU06
XCU10**



IMPORTANT: Read Before Using.
IMPORTANTE: Lea antes de usar.

SPECIFICATIONS

Model:		XCU05	XCU06	XCU10
Overall length (without guide bar)		256 mm (10-1/8")		
Rated voltage		D.C. 18 V		
Net weight		2.8 - 3.3 kg (6.2 - 7.2 lbs)		
Standard guide bar length		200 mm (8")	250 mm (10")	300 mm (12")
Recommended guide bar length	with 90PX	200 - 300 mm (8" - 12")		
Applicable saw chain type (refer to the table below)		90PX		
Standard sprocket	Number of teeth	6		
	Pitch	3/8"		
Chain speed		0 - 24 m/s (0 - 1,440 m/min) (0 - 4,720 ft/min)		
Chain oil tank volume		140 cm ³ (4.7 fl oz)		

- Due to our continuing program of research and development, the specifications herein are subject to change without notice.
- Specifications may differ from country to country.
- The weight may differ depending on the attachment(s), including the battery cartridge. The lightest and heaviest combination, according to EPTA-Procedure 01/2014, are shown in the table.

Applicable battery cartridge and charger

Battery cartridge	BL1815N / BL1820B / BL1830 / BL1830B / BL1840B / BL1850B / BL1860B
Charger	DC18RC / DC18RD / DC18RE / DC18SD / DC18SE / DC18SF / DC18SH

- Some of the battery cartridges and chargers listed above may not be available depending on your region of residence.

⚠ WARNING: Only use the battery cartridges and chargers listed above. Use of any other battery cartridges and chargers may cause injury and/or fire.

Saw chain, guide bar, and sprocket combination

Saw chain type		90PX		
Number of drive links		33	40	46
Guide bar	Guide bar length	200 mm (8")	250 mm (10")	300 mm (12")
	Cutting length	171 mm (6-3/4")	235 mm (9-1/4")	292 mm (11-1/2")
	Part No.	161848-6	161846-0	165245-8
	Pitch	3/8"		
	Gauge	1.1 mm (0.043")		
	Type	Sprocket nose bar		
Sprocket	Number of teeth	6		
	Pitch	3/8"		

⚠ WARNING: Use appropriate combination of the guide bar and saw chain. Otherwise personal injury may result.

SAFETY WARNINGS

General power tool safety warnings

⚠ WARNING: Read all safety warnings, instructions, illustrations and specifications provided with this power tool. Failure to follow all instructions listed below may result in electric shock, fire and/or serious injury.

Save all warnings and instructions for future reference.

The term "power tool" in the warnings refers to your mains-operated (corded) power tool or battery-operated (cordless) power tool.

Work area safety

- 1. Keep work area clean and well lit.** Cluttered or dark areas invite accidents.
- 2. Do not operate power tools in explosive atmospheres, such as in the presence of flammable liquids, gases or dust.** Power tools create sparks which may ignite the dust or fumes.
- 3. Keep children and bystanders away while operating a power tool.** Distractions can cause you to lose control.

Electrical Safety

- 1. Power tool plugs must match the outlet. Never modify the plug in any way. Do not use any adapter plugs with earthed (grounded) power tools.** Unmodified plugs and matching outlets will reduce risk of electric shock.

- 2. Avoid body contact with earthed or grounded surfaces, such as pipes, radiators, ranges and refrigerators.** There is an increased risk of electric shock if your body is earthed or grounded.
- 3. Do not expose power tools to rain or wet conditions.** Water entering a power tool will increase the risk of electric shock.
- 4. Do not abuse the cord. Never use the cord for carrying, pulling or unplugging the power tool. Keep cord away from heat, oil, sharp edges or moving parts.** Damaged or entangled cords increase the risk of electric shock.
- 5. When operating a power tool outdoors, use an extension cord suitable for outdoor use.** Use of a cord suitable for outdoor use reduces the risk of electric shock.
- 6. If operating a power tool in a damp location is unavoidable, use a ground fault circuit interrupter (GFCI) protected supply.** Use of a GFCI reduces the risk of electric shock.
- 7. Power tools can produce electromagnetic fields (EMF) that are not harmful to the user.** However, users of pacemakers and other similar medical devices should contact the maker of their device and/or doctor for advice before operating this power tool.

Personal Safety

- 1. Stay alert, watch what you are doing and use common sense when operating a power tool. Do not use a power tool while you are tired or under the influence of drugs, alcohol or medication.** A moment of inattention while operating power tools may result in serious personal injury.

2. **Use personal protective equipment. Always wear eye protection.** Protective equipment such as dust mask, non-skid safety shoes, hard hat, or hearing protection used for appropriate conditions will reduce personal injuries.
 3. **Prevent unintentional starting. Ensure the switch is in the off-position before connecting to power source and/or battery pack, picking up or carrying the tool.** Carrying power tools with your finger on the switch or energising power tools that have the switch on invites accidents.
 4. **Remove any adjusting key or wrench before turning the power tool on.** A wrench or a key left attached to a rotating part of the power tool may result in personal injury.
 5. **Do not overreach. Keep proper footing and balance at all times.** This enables better control of the power tool in unexpected situations.
 6. **Dress properly. Do not wear loose clothing or jewellery. Keep your hair, clothing and gloves away from moving parts.** Loose clothes, jewellery or long hair can be caught in moving parts.
 7. **If devices are provided for the connection of dust extraction and collection facilities, ensure these are connected and properly used.** Use of dust collection can reduce dust-related hazards.
 8. **Do not let familiarity gained from frequent use of tools allow you to become complacent and ignore tool safety principles.** A careless action can cause severe injury within a fraction of a second.
 9. **Always wear protective goggles to protect your eyes from injury when using power tools. The goggles must comply with ANSI Z87.1 in the USA.** It is an employer's responsibility to enforce the use of appropriate safety protective equipment by the tool operators and by other persons in the immediate working area.
3. **Disconnect the plug from the power source and/or remove the battery pack, if detachable, from the power tool before making any adjustments, changing accessories, or storing power tools.** Such preventive safety measures reduce the risk of starting the power tool accidentally.
 4. **Store idle power tools out of the reach of children and do not allow persons unfamiliar with the power tool or these instructions to operate the power tool.** Power tools are dangerous in the hands of untrained users.
 5. **Maintain power tools and accessories. Check for misalignment or binding of moving parts, breakage of parts and any other condition that may affect the power tool's operation. If damaged, have the power tool repaired before use.** Many accidents are caused by poorly maintained power tools.
 6. **Keep cutting tools sharp and clean.** Properly maintained cutting tools with sharp cutting edges are less likely to bind and are easier to control.
 7. **Use the power tool, accessories and tool bits etc. in accordance with these instructions, taking into account the working conditions and the work to be performed.** Use of the power tool for operations different from those intended could result in a hazardous situation.
 8. **Keep handles and grasping surfaces dry, clean and free from oil and grease.** Slippery handles and grasping surfaces do not allow for safe handling and control of the tool in unexpected situations.
 9. **When using the tool, do not wear cloth work gloves which may be entangled.** The entanglement of cloth work gloves in the moving parts may result in personal injury.

Battery tool use and care

Power tool use and care

1. **Do not force the power tool. Use the correct power tool for your application.** The correct power tool will do the job better and safer at the rate for which it was designed.
 2. **Do not use the power tool if the switch does not turn it on and off.** Any power tool that cannot be controlled with the switch is dangerous and must be repaired.
1. **Recharge only with the charger specified by the manufacturer.** A charger that is suitable for one type of battery pack may create a risk of fire when used with another battery pack.
 2. **Use power tools only with specifically designated battery packs.** Use of any other battery packs may create a risk of injury and fire.
 3. **When battery pack is not in use, keep it away from other metal objects, like paper clips, coins, keys, nails, screws or other small metal objects, that can make a connection from one terminal to another.** Shorting the battery terminals together may cause burns or a fire.

4. **Under abusive conditions, liquid may be ejected from the battery; avoid contact. If contact accidentally occurs, flush with water. If liquid contacts eyes, additionally seek medical help.** Liquid ejected from the battery may cause irritation or burns.
5. **Do not use a battery pack or tool that is damaged or modified.** Damaged or modified batteries may exhibit unpredictable behaviour resulting in fire, explosion or risk of injury.
6. **Do not expose a battery pack or tool to fire or excessive temperature.** Exposure to fire or temperature above 130 °C may cause explosion.
7. **Follow all charging instructions and do not charge the battery pack or tool outside the temperature range specified in the instructions.** Charging improperly or at temperatures outside the specified range may damage the battery and increase the risk of fire.

Service

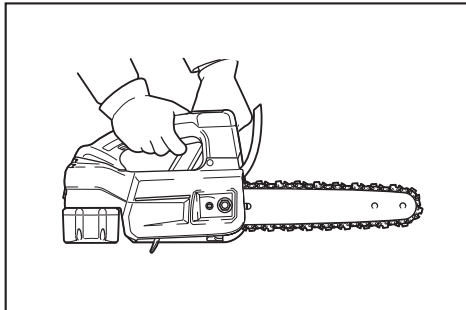
1. **Have your power tool serviced by a qualified repair person using only identical replacement parts.** This will ensure that the safety of the power tool is maintained.
 2. **Never service damaged battery packs.** Service of battery packs should only be performed by the manufacturer or authorized service providers.
 3. **Follow instruction for lubricating and changing accessories.**
 4. **Do not modify or attempt to repair the appliance or the battery pack except as indicated in the instructions for use and care.**
4. **Wear safety glasses and hearing protection.** Further protective equipment for head, hands, legs and feet is recommended. Adequate protective clothing will reduce personal injury by flying debris or accidental contact with the saw chain.
 5. **Do not operate a chain saw in a tree.** Operation of a chain saw while up in a tree may result in personal injury.
 6. **Always keep proper footing and operate the chain saw only when standing on fixed, secure and level surface.** Slippery or unstable surfaces such as ladders may cause a loss of balance or control of the chain saw.
 7. **When cutting a limb that is under tension be alert for spring back.** When the tension in the wood fibres is released the spring loaded limb may strike the operator and/or throw the chain saw out of control.
 8. **Use extreme caution when cutting brush and saplings.** The slender material may catch the saw chain and be whipped toward you or pull you off balance.
 9. **Carry the chain saw by the front handle with the chain saw switched off and away from your body. When transporting or storing the chain saw always fit the guide bar cover.** Proper handling of the chain saw will reduce the likelihood of accidental contact with the moving saw chain.
 10. **Follow instructions for lubricating, chain tensioning and changing accessories.** Improperly tensioned or lubricated chain may either break or increase the chance for kickback.
 11. **Keep handles dry, clean, and free from oil and grease.** Greasy, oily handles are slippery causing loss of control.
 12. **Cut wood only. Do not use chain saw for purposes not intended. For example: do not use chain saw for cutting plastic, masonry or non-wood building materials.** Use of the chain saw for operations different than intended could result in a hazardous situation.
 13. **Causes and operator prevention of kickback:** Kickback may occur when the nose or tip of the guide bar touches an object, or when the wood closes in and pinches the saw chain in the cut. Tip contact in some cases may cause a sudden reverse reaction, kicking the guide bar up and back towards the operator. Pinching the saw chain along the top of the guide bar may push the guide bar rapidly back towards the operator. Either of these reactions may cause you to lose control of the saw which could result in serious personal injury. Do not rely exclusively upon the safety devices built into your saw. As a chain saw user, you should take several steps to keep your cutting jobs free from accident or injury.

Cordless Chain saw safety warnings

1. **Keep all parts of the body away from the saw chain when the chain saw is operating. Before you start the chain saw, make sure the saw chain is not contacting anything.** A moment of inattention while operating chain saws may cause entanglement of your clothing or body with the saw chain.
2. **Always hold the chain saw with your right hand on the top handle and your left hand on the front handle.** Holding the chain saw with a reversed hand configuration increases the risk of personal injury and should never be done.
3. **Hold the power tool by insulated gripping surfaces only, because the saw chain may contact hidden wiring.** Saw chains contacting a "live" wire may make exposed metal parts of the power tool "live" and could give the operator an electric shock.

Kickback is the result of tool misuse and/or incorrect operating procedures or conditions and can be avoided by taking proper precautions as given below:

- **Maintain a firm grip, with thumbs and fingers encircling the chain saw handles, with both hands on the saw and position your body and arm to allow you to resist kickback forces.** Kickback forces can be controlled by the operator, if proper precautions are taken. Do not let go of the chain saw.



- **Do not overreach and do not cut above shoulder height.** This helps prevent unintended tip contact and enables better control of the chain saw in unexpected situations.
 - **Only use replacement bars and chains specified by the manufacturer.** Incorrect replacement bars and chains may cause chain breakage and/or kickback.
 - **Follow the manufacturer's sharpening and maintenance instructions for the saw chain.** Decreasing the depth gauge height can lead to increased kickback.
14. **Before starting work, check that the chain saw is in proper working order and that its condition complies with the safety regulations. Check in particular that:**
- The chain brake is working properly;
 - The run-down brake is working properly;
 - The bar and the sprocket cover are fitted correctly;
 - The chain has been sharpened and tensioned in accordance with the regulations.
15. **Do not start the chain saw with the chain cover being installed on it.** Starting the chain saw with the chain cover being installed on it may cause the chain cover to be thrown out forward resulting in personal injury and damage to objects around the operator.

Additional Safety Warnings:

1. **When using the tool with battery adapter, be careful not to trip over the cord during operation.**
2. **When using the tool with battery adapter, keep the cord away from obstacles such as a workpiece and branches during operation.** The cord caught by obstacles may cause serious injury.

Top handle chainsaw specific safety warnings

1. **Perform cleaning and maintenance before storage in accordance with the instruction manual.**
2. **Ensure safe positioning of the chain saw during car transportation to avoid fuel or chain oil leakage, damage to the tool and personal injury.**
3. **Regularly check the functionality of chain brake.**
4. **Do not fill the chain oil near fire. Never smoke when you fill the chain oil.**
5. **National regulation may restrict the use of the chain saw.**
6. **If the equipment gets heavy impact or fall, check the condition before continuing work. Check the controls and safety devices for malfunction. If there is any damage or doubt, ask our authorized service center for the inspection and repair.**
7. **Always activate the chain brake before starting the chain saw.**
8. **Hold the saw firmly in place to avoid skating (skid movement) or bouncing of the saw when starting a cut.**
9. **At the end of the cut, be careful to keep your balance due to the "drop".**
10. **Take into account the direction and speed of the wind. Avoid sawdust and chain oil mist.**

Protective equipment

1. **In order to avoid head, eye, hand or foot injuries as well as to protect your hearing the following protective equipment must be used during operation of the chain saw:**
 - The kind of clothing should be appropriate, i. e. it should be tight-fitting but not be a hindrance. Do not wear jewelry or clothing which could become entangled with bushes or shrubs. If you have long hair, always wear a hairnet!

- It is necessary to wear a protective helmet whenever working with the chain saw. The **protective helmet** is to be checked in regular intervals for damage and is to be replaced after 5 years at the latest. Use only approved protective helmets.
- The **face shield** of the protective helmet (or the goggles) protects against sawdust and wood chips. During operation of the chain saw always wear a goggle or a face shield to prevent eye injuries.
- Wear adequate **noise protection equipment** (ear muffs, ear plugs, etc.)
- The **protective jacket** consists of 22 layers of nylon and protects the operator against cuts. It is always to be worn when working from elevated platforms (cherry pickers, lifts) or from platforms mounted on ladders.
- The **protective brace and bib overall** is made of a nylon fabric with 22 layers and protects against cuts. We strongly recommend its use.
- **Protective gloves** made of thick leather are part of the prescribed equipment and must always be worn during operation of the chain saw.
- During operation of the chain saw **safety shoes** or **safety boots** fitted with anti skid sole, steel toe caps and protection for the leg must always to be worn. Safety shoes equipped with a protective layer provide protection against cuts and ensure a secure footing.

Vibration

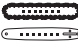




1. Individuals with poor circulation who are exposed to excessive vibration may experience injury to blood vessels or the nervous system. Vibration may cause the following symptoms to occur in the fingers, hands or wrists: "Falling asleep" (numbness), tingling, pain, stabbing sensation, alteration of skin colour or of the skin. **If any of these symptoms occur, see a physician!** To reduce the risk of "white finger disease", keep your hands warm during operation and well maintain the equipment and accessories.

SAVE THESE INSTRUCTIONS.

⚠ WARNING: DO NOT let comfort or familiarity with product (gained from repeated use) replace strict adherence to safety rules for the subject product. **MISUSE** or failure to follow the safety rules stated in this instruction manual may cause serious personal injury.

Symbols

The followings show the symbols used for tool.

v	volts
— ---	direct current
m/s	meter per second
ft/min	feet per minute
	parts number of applicable saw chain and guide bar
	Wear a helmet, goggles and ear protection.
	Use appropriate protection for foot-leg and hand-arm.
	Do not expose to moisture.
	Always use two hands when operating the chain saw.

Important safety instructions for battery cartridge

1. **Before using battery cartridge, read all instructions and cautionary markings on (1) battery charger, (2) battery, and (3) product using battery.**
2. **Do not disassemble or tamper with the battery cartridge.** It may result in a fire, excessive heat, or explosion.
3. **If operating time has become excessively shorter, stop operating immediately. It may result in a risk of overheating, possible burns and even an explosion.**
4. **If electrolyte gets into your eyes, rinse them out with clear water and seek medical attention right away. It may result in loss of your eyesight.**
5. **Do not short the battery cartridge:**
 - (1) **Do not touch the terminals with any conductive material.**
 - (2) **Avoid storing battery cartridge in a container with other metal objects such as nails, coins, etc.**
 - (3) **Do not expose battery cartridge to water or rain.**

A battery short can cause a large current flow, overheating, possible burns and even a breakdown.

6. **Do not store and use the tool and battery cartridge in locations where the temperature may reach or exceed 50 °C (122 °F).**
7. **Do not incinerate the battery cartridge even if it is severely damaged or is completely worn out. The battery cartridge can explode in a fire.**
8. **Do not nail, cut, crush, throw, drop the battery cartridge, or hit against a hard object to the battery cartridge.** Such conduct may result in a fire, excessive heat, or explosion.
9. **Do not use a damaged battery.**
10. **The contained lithium-ion batteries are subject to the Dangerous Goods Legislation requirements.**

For commercial transports e.g. by third parties, forwarding agents, special requirement on packaging and labeling must be observed.

For preparation of the item being shipped, consulting an expert for hazardous material is required. Please also observe possibly more detailed national regulations.

Tape or mask off open contacts and pack up the battery in such a manner that it cannot move around in the packaging.
11. **When disposing the battery cartridge, remove it from the tool and dispose of it in a safe place. Follow your local regulations relating to disposal of battery.**
12. **Use the batteries only with the products specified by Makita.** Installing the batteries to non-compliant products may result in a fire, excessive heat, explosion, or leak of electrolyte.
13. **If the tool is not used for a long period of time, the battery must be removed from the tool.**
14. **During and after use, the battery cartridge may take on heat which can cause burns or low temperature burns. Pay attention to the handling of hot battery cartridges.**
15. **Do not touch the terminal of the tool immediately after use as it may get hot enough to cause burns.**
16. **Do not allow chips, dust, or soil stuck into the terminals, holes, and grooves of the battery cartridge.** It may result in poor performance or breakdown of the tool or battery cartridge.
17. **Unless the tool supports the use near high-voltage electrical power lines, do not use the battery cartridge near high-voltage electrical power lines.** It may result in a malfunction or breakdown of the tool or battery cartridge.

18. **Keep the battery away from children.**

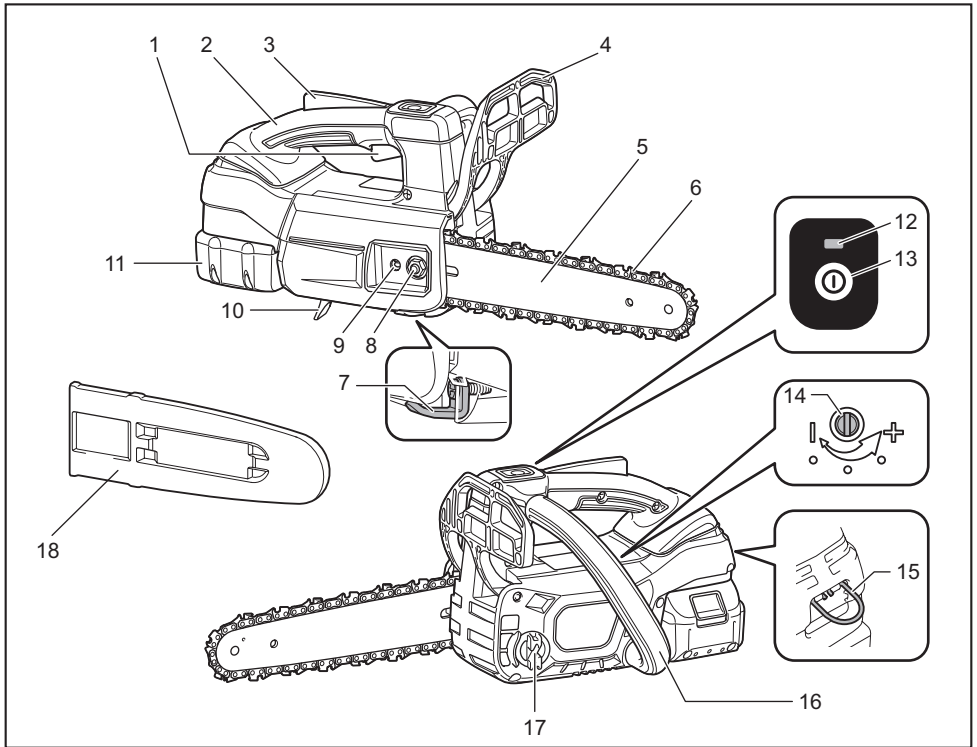
SAVE THESE INSTRUCTIONS.

⚠CAUTION: Only use genuine Makita batteries. Use of non-genuine Makita batteries, or batteries that have been altered, may result in the battery bursting causing fires, personal injury and damage. It will also void the Makita warranty for the Makita tool and charger.

Tips for maintaining maximum battery life

1. **Charge the battery cartridge before completely discharged. Always stop tool operation and charge the battery cartridge when you notice less tool power.**
2. **Never recharge a fully charged battery cartridge. Overcharging shortens the battery service life.**
3. **Charge the battery cartridge with room temperature at 10 °C - 40 °C (50 °F - 104 °F). Let a hot battery cartridge cool down before charging it.**
4. **When not using the battery cartridge, remove it from the tool or the charger.**
5. **Charge the battery cartridge if you do not use it for a long period (more than six months).**

PARTS DESCRIPTION



1	Switch trigger	2	Top handle	3	Lock-off lever
4	Front hand guard	5	Guide bar	6	Saw chain
7	Chain catcher	8	Retaining nut	9	Chain adjusting screw
10	Chip guide	11	Battery cartridge	12	Main power lamp
13	Main power switch	14	Adjusting screw (for oil pump)	15	Carabiner
16	Front handle	17	Oil tank cap	18	Guide bar cover

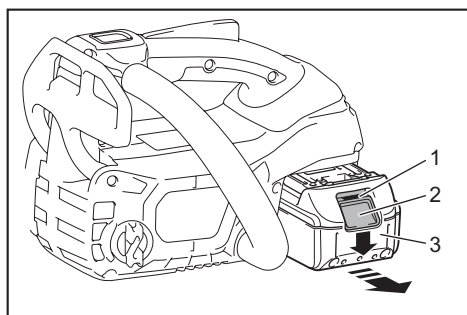
FUNCTIONAL DESCRIPTION

CAUTION: Always be sure that the tool is switched off and the battery cartridge is removed before adjusting or checking function on the tool.

Installing or removing battery cartridge

CAUTION: Always switch off the tool before installing or removing of the battery cartridge.

CAUTION: Hold the tool and the battery cartridge firmly when installing or removing battery cartridge. Failure to hold the tool and the battery cartridge firmly may cause them to slip off your hands and result in damage to the tool and battery cartridge and a personal injury.



► 1. Red indicator 2. Button 3. Battery cartridge

To remove the battery cartridge, slide it from the tool while sliding the button on the front of the cartridge.

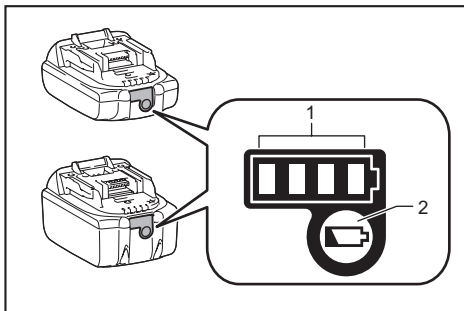
To install the battery cartridge, align the tongue on the battery cartridge with the groove in the housing and slip it into place. Insert it all the way until it locks in place with a little click. If you can see the red indicator as shown in the figure, it is not locked completely.

CAUTION: Always install the battery cartridge fully until the red indicator cannot be seen. If not, it may accidentally fall out of the tool, causing injury to you or someone around you.

CAUTION: Do not install the battery cartridge forcibly. If the cartridge does not slide in easily, it is not being inserted correctly.

Indicating the remaining battery capacity

Only for battery cartridges with the indicator



► 1. Indicator lamps 2. Check button

Press the check button on the battery cartridge to indicate the remaining battery capacity. The indicator lamps light up for a few seconds.

Indicator lamps			Remaining capacity
Lighted	Off	Blinking	
■ ■ ■ ■			75% to 100%
■ ■ ■ □			50% to 75%
■ ■ □ □			25% to 50%
■ □ □ □			0% to 25%
▣ □ □ □			Charge the battery.
■ ■ □ □			The battery may have malfunctioned.
□ □ ■ ■	↑ ↓		

NOTE: Depending on the conditions of use and the ambient temperature, the indication may differ slightly from the actual capacity.

NOTE: The first (far left) indicator lamp will blink when the battery protection system works.

Tool / battery protection system

The tool is equipped with a tool/battery protection system. This system automatically cuts off power to the motor to extend tool and battery life. The tool will automatically stop during operation if the tool or battery is placed under one of the following conditions:

Overload protection

When the battery is operated in a manner that causes it to draw an abnormally high current, the tool automatically stops and the main power lamp blinks in green. In this situation, turn the tool off and stop the application that caused the tool to become overloaded. Then turn the tool on to restart.

Overheat protection

When the tool or battery is overheated, the tool stops automatically and the main power lamp lights up in red. In this case, let the tool and battery cool before turning the tool on again.

NOTE: In high temperature environment, the overheat protection likely to work and the tool stops automatically.

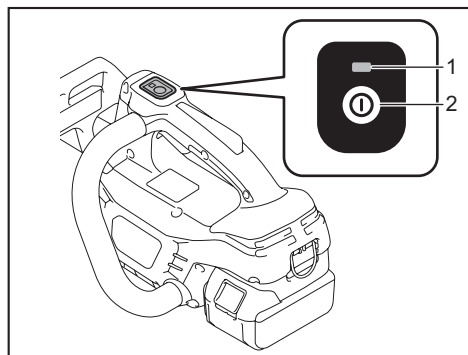
Overdischarge protection

When the battery capacity is not enough, the tool stops automatically and the main power lamp blinks in red. In this case, remove the battery from the tool and charge the battery.

Main power switch

⚠ WARNING: Always turn off the main power switch when not in use.

To turn on the tool, press the main power switch until the main power lamp lights up in green. To turn off, press the main power switch again.



► 1. Main power lamp 2. Main power switch

NOTE: The main power lamp blinks in green if the switch trigger is pulled under unoperable conditions. The lamp blinks in one of the following conditions.

- When you turn on the main power switch while holding down the lock-off lever and the switch trigger.
- When you pull the switch trigger while the chain brake is applied.
- When you release the chain brake while holding down the lock-off lever and pulling the switch trigger.

NOTE: This tool employs the auto power-off function. To avoid unintentional start up, the main power switch will automatically shut down when the switch trigger is not pulled for a certain period after the main power switch is turned on.

You can use the tool in the Torque Boost mode for cutting thick branches or hard branches. To use the tool in the Torque Boost mode, when the tool is turned off, press the main power switch for a few seconds until the main power lamp lights up in yellow.

NOTE: You can use the tool in the Torque Boost mode up to 60 seconds. Depending on the usage conditions, this mode shifts to the normal mode in less than 60 seconds.

NOTE: If the main power lamp blinks in yellow when you press the main power switch for a few seconds, the Torque Boost mode is not available. In this case, follow the steps below.

- The Torque Boost mode is not available right after the cutting operation. Wait for more than 10 seconds, and then press the main power switch again.
- If you use the Torque Boost mode several times, the use of the Torque Boost mode is restricted to protect the battery. If the Torque Boost mode is not available after waiting for more than 10 seconds, replace the battery cartridge with a fully charged one, or recharge the battery cartridge.

NOTE: If the main power lamp lights up in red or blinks in red or green, refer to the instructions for tool/battery protection system.

NOTE: The Torque Boost mode cannot be used when the battery cartridge BL1815N or BL1820B is installed.

Switch action

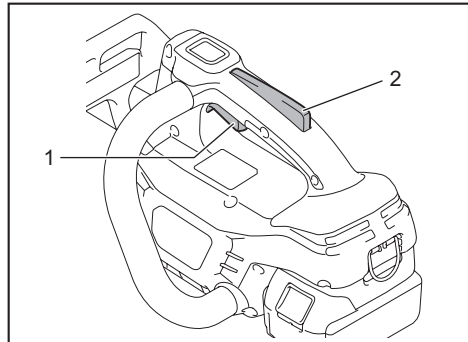
⚠️WARNING: For your safety, this tool is equipped with lock-off lever which prevents the tool from unintended starting. **NEVER** use the tool if it runs when you simply pull the switch trigger without pressing the lock-off lever. Return the tool to our authorized service center for proper repairs **BEFORE** further usage.

⚠️WARNING: **NEVER** tape down or defeat purpose and function of lock-off lever.

⚠️CAUTION: Before installing the battery cartridge into the tool, always check to see that the switch trigger actuates properly and returns to the "OFF" position when released.

NOTICE: Do not pull the switch trigger hard without pressing the lock-off lever. This can cause switch breakage.

To prevent the switch trigger from being accidentally pulled, a lock-off lever is provided. To start the tool, depress the lock-off lever and pull the switch trigger. The tool speed increases by increasing pressure on the switch trigger. Release the switch trigger to stop.



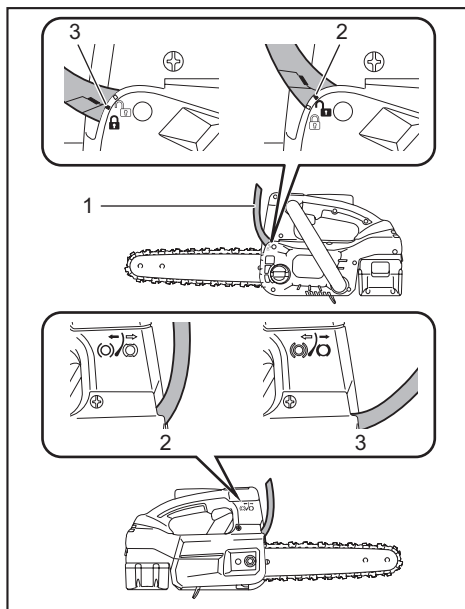
► 1. Switch trigger 2. Lock-off lever

Checking the chain brake

⚠️CAUTION: Hold the chain saw with both hands when switching it on. Hold the top handle with your right hand, the front handle with your left. The bar and the chain must not be in contact with any object.

⚠️CAUTION: Should the saw chain not stop immediately when this test is performed, the saw may not be used under any circumstances. Consult our authorized service center.

1. Press the lock-off lever, then pull the switch trigger. The saw chain starts immediately.
2. Push the front hand guard forwards with the back of your hand. Make sure that the chain saw comes to an immediate standstill.



- 1. Front hand guard
2. Unlocked position
3. Locked position

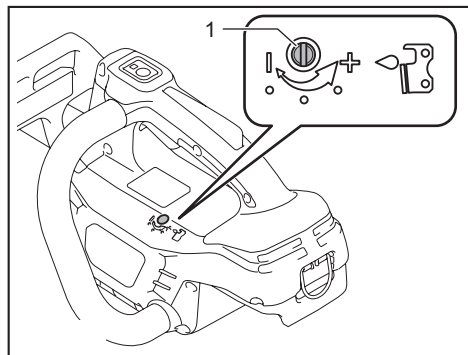
Checking the run-down brake

⚠️CAUTION: If the saw chain does not stop within two seconds in this test, stop using the chain saw and consult our authorized service center.

Run the chain saw then release the switch trigger completely. The saw chain must come to a standstill within two seconds.

Adjusting the chain lubrication

You can adjust the oil pump feed rate with the adjusting screw using the universal wrench. The amount of oil can be adjusted in 3 steps.



► 1. Adjusting screw

Carabiner (rope attachment point)

You can hang the tool by attaching the rope to the carabiner. Pull up the carabiner, and then tie it with the rope.

Electronic function

The tool is equipped with the electronic functions for easy operation.

- Soft start
The soft-start function minimizes start-up shock, and makes the tool start smoothly.

ASSEMBLY

⚠ CAUTION: Always be sure that the tool is switched off and the battery cartridge is removed before carrying out any work on the tool.

⚠ CAUTION: Do not touch the saw chain with bare hands. Always wear gloves when handling the saw chain.

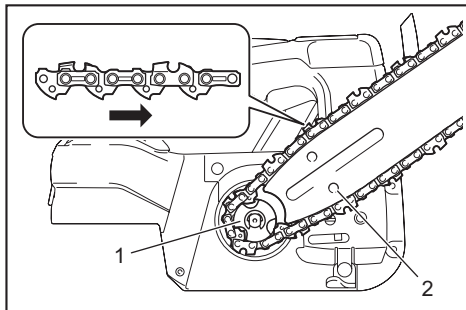
Removing or installing saw chain

⚠ CAUTION: The saw chain and the guide bar are still hot just after the operation. Let them cool down enough before carrying out any work on the tool.

⚠ CAUTION: Carry out the procedure of installing or removing saw chain in a clean place free from sawdust and the like.

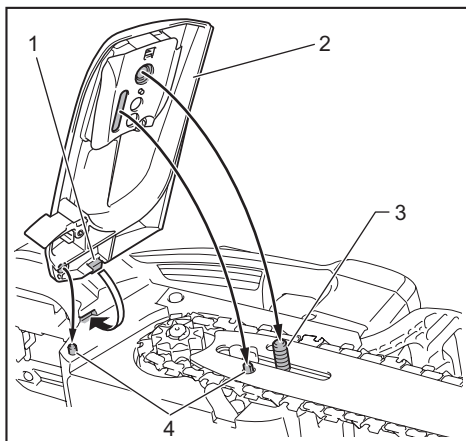
To install the saw chain, perform the following steps:

1. Check the direction of the saw chain. Match the direction of the saw chain with that of the mark on the chain saw body.
2. Fit one end of the saw chain on the top of the guide bar.
3. Fit the other end of the saw chain around the sprocket, then attach the guide bar to the chain saw body, aligning the hole on the guide bar with the pin on the chain saw body.



► 1. Sprocket 2. Hole

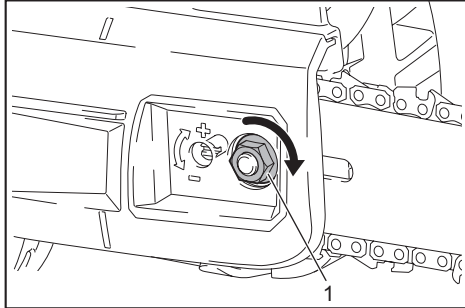
4. Insert the protrusion on the sprocket cover to the chain saw body, and then close the cover so that the bolt and pins on the chain saw body meet their counterparts on the cover.



► 1. Protrusion 2. Sprocket cover 3. Bolt 4. Pin

5. Tighten the retaining nut to secure the sprocket cover, then loosen it a bit for tension adjustment.

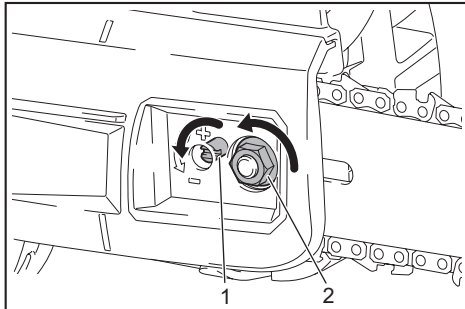
(See the chapter on "Adjusting saw chain tension" for procedure.)



► 1. Retaining nut

To remove the saw chain, perform the following steps:

1. Release the chain brake by pulling the front hand guard.
2. Loosen the chain adjusting screw, then the retaining nut.



► 1. Chain adjusting screw 2. Retaining nut

3. Remove the sprocket cover then remove the saw chain and guide bar from the chain saw body.

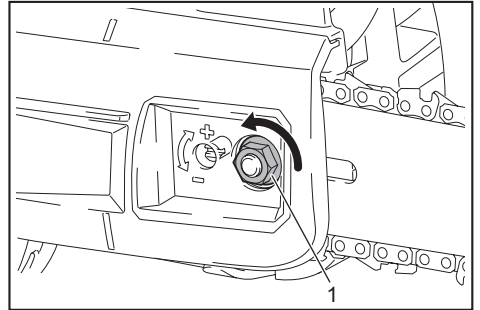
Adjusting saw chain tension

⚠ CAUTION: Do not tighten the saw chain too much. Excessively high tension of saw chain may cause breakage of saw chain and wear of the guide bar.

⚠ CAUTION: A chain which is too loose can jump off the bar and it may cause an injury accident.

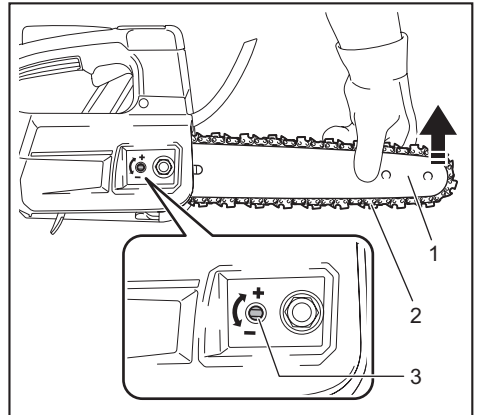
The saw chain may become loose after many hours of use. From time to time check the saw chain tension before use.

1. Release the chain brake by pulling the front hand guard.
2. Loosen the retaining nut a bit to loosen the sprocket cover lightly.



► 1. Retaining nut

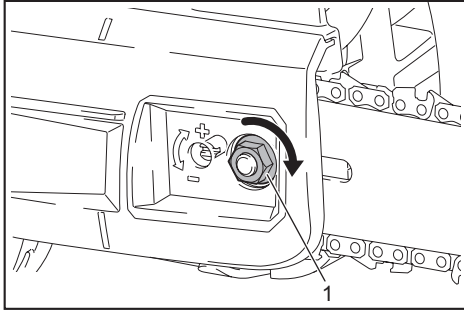
3. Lift up the guide bar tip slightly and adjust the chain tension. Turn the chain adjusting screw clockwise to tighten, turn it counterclockwise to loosen. Tighten the saw chain until the lower side of the saw chain fits in the guide bar rail as illustrated.



► 1. Guide bar 2. Saw chain 3. Chain adjusting screw

4. Keep holding the guide bar lightly and tighten the sprocket cover. Make sure that the saw chain does not loose at the lower side.

5. Tighten the retaining nut to secure the sprocket cover.



- ▶ 1. Retaining nut

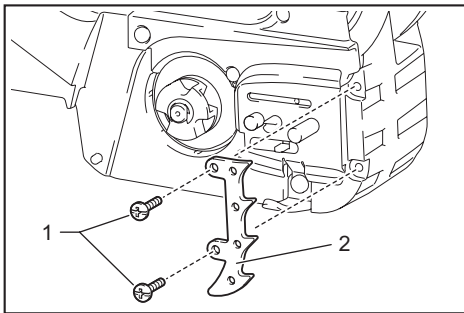
Make sure the saw chain fits snugly against the lower side of the bar.

Spike bumper

Optional accessory

When cutting thick branches, using the spike bumper is recommended. To install the spike bumper, perform the following steps:

1. Remove the sprocket cover, saw chain, and guide bar.
2. Align the holes of the spike bumper with the holes on the chain saw body, and then tighten the screws firmly.

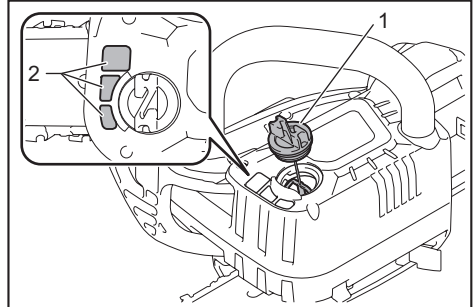


- ▶ 1. Screw 2. Spike bumper

OPERATION

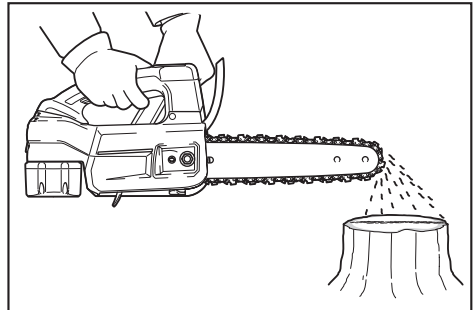
Lubrication

Saw chain is automatically lubricated when the tool is in operation. Check the amount of remaining oil in the oil tank periodically through the oil inspection window. To refill the tank, lay the chain saw on its side and remove the oil tank cap. The proper amount of oil is 140 ml. After refilling the tank, make sure that the oil tank cap is tightened securely.



- ▶ 1. Oil tank cap 2. Oil inspection window

After refilling, hold the chain saw away from the tree. Start it and wait until lubrication on saw chain is adequate.



NOTICE: When filling the chain oil for the first time, or refilling the tank after it has been completely emptied, add oil up to the bottom edge of the filler neck. The oil delivery may otherwise be impaired.

NOTICE: Use the saw chain oil exclusively for Makita chain saws or equivalent oil available in the market.

NOTICE: Never use oil including dust and particles or volatile oil.

NOTICE: When pruning trees, use botanical oil. Mineral oil may harm trees.

NOTICE: Before the cutting operation, make sure that the provided oil tank cap is screwed in place.

WORKING WITH THE CHAIN SAW

CAUTION: The first time user should, as a minimum practice, do cutting logs on a saw-horse or cradle.

CAUTION: When sawing pre-cut timber, use a safe support (saw horse or cradle). Do not steady the workpiece with your foot, and do not allow anyone else to hold or steady it.

CAUTION: Secure round pieces against rotation.

CAUTION: Keep all parts of the body away from the saw chain when the motor is operating.

CAUTION: Hold the chain saw firmly with both hands when the motor is running.

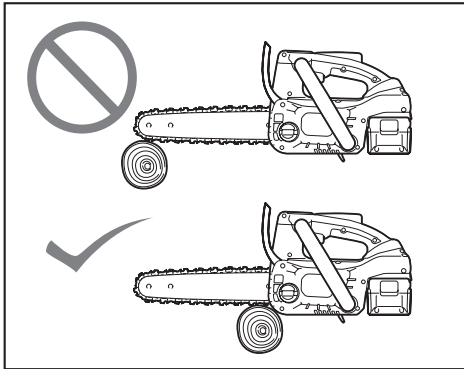
CAUTION: Do not overreach. Keep proper footing and balance at all times.

NOTICE: Never toss or drop the tool.

NOTICE: Do not cover the vents of the tool.

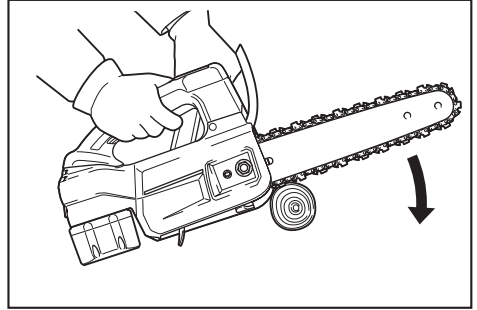
Pruning trees

Bring the chain saw body into contact with the branch to be cut before switching on. Otherwise it may cause the guide bar to wobble, resulting in injury to operator. Saw the wood to be cut by just moving it down by using the weight of the chain saw.

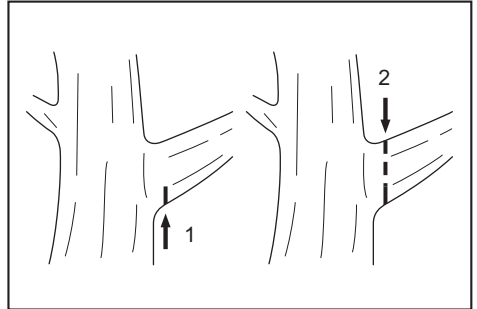


If you cannot cut the timber right through with a single stroke:

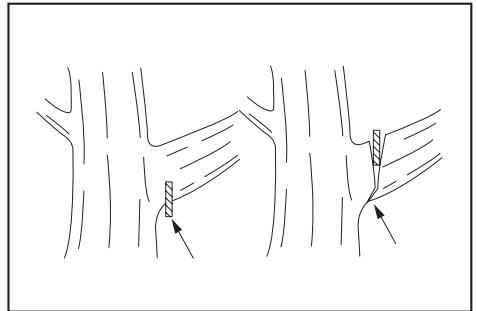
Apply light pressure to the handle and continue sawing and draw the chain saw back a little.



When cutting thick branches, first make a shallow undercut and then make the finish cut from the top.

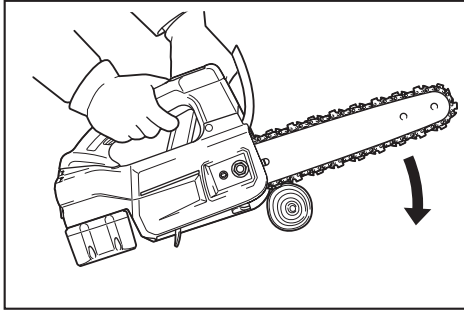


If you try to cut off thick branches from the bottom, the branch may close in and pinch the saw chain in the cut. If you try to cut off thick branches from the top without a shallow undercut, the branch may splinter.



Bucking

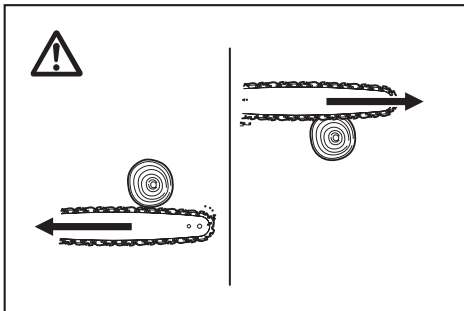
1. Rest the chain saw body on the wood to be cut.



2. With the saw chain running, saw into the wood while using the top handle to raise the saw and the front one to guide it.
3. Continue the cut by applying slight pressure to the top handle, easing the saw back slightly.

NOTICE: When making several cuts, switch the chain saw off between cuts.

CAUTION: If the upper edge of the bar is used for cutting, the chain saw may be deflected in your direction if the chain becomes trapped. For this reason, cut with the lower edge, so that the saw will be deflected away from your body.



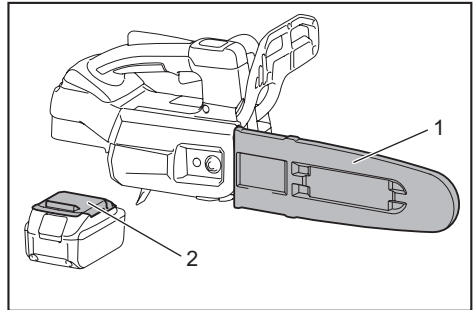
Limbing

CAUTION: Limbing may only be performed by trained persons. A hazard is presented by the risk of kickback.

When limbing, support the chain saw on the trunk if possible. Do not cut with the tip of the bar, as this presents a risk of kickback. Pay particular attention to branches under tension. Do not cut unsupported branches from below. Do not stand on the felled trunk when limbing.

Carrying tool

Before carrying the tool, always apply the chain brake and remove the battery cartridges from the tool. Then attach the guide bar cover. Also cover the battery cartridge with the battery cover.



- 1. Guide bar cover 2. Battery cover

MAINTENANCE

CAUTION: Always be sure that the tool is switched off and the battery cartridge is removed before attempting to perform inspection or maintenance.

CAUTION: Always wear gloves when performing any inspection or maintenance.

NOTICE: Never use gasoline, benzene, thinner, alcohol or the like. Discoloration, deformation or cracks may result.

To maintain product SAFETY and RELIABILITY, repairs, any other maintenance or adjustment should be performed by Makita Authorized or Factory Service Centers, always using Makita replacement parts.

Sharpening the saw chain

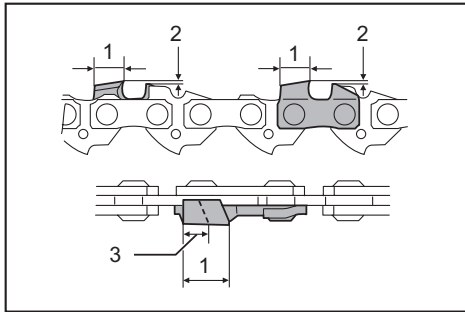
Sharpen the saw chain when:

- Mealy sawdust is produced when damp wood is cut;
- The chain penetrates the wood with difficulty, even when heavy pressure is applied;
- The cutting edge is obviously damaged;
- The saw pulls to the left or right in the wood. (caused by uneven sharpening of the saw chain or damage to one side only)

Sharpen the saw chain frequently but a little each time. Two or three strokes with a file are usually sufficient for routine resharpening. When the saw chain has been resharpened several times, have it sharpened in our authorized service center.

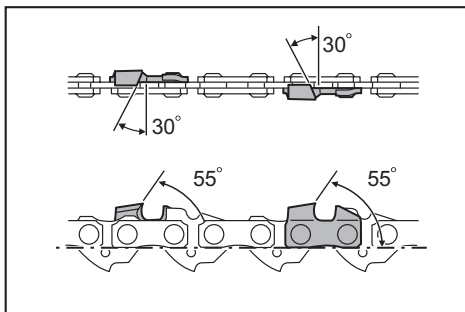
Sharpening criteria:

⚠ WARNING: An excessive distance between the cutting edge and depth gauge increases the risk of kickback.



► **1. Cutter length 2. Distance between cutting edge and depth gauge 3. Minimum cutter length (3 mm (1/8"))**

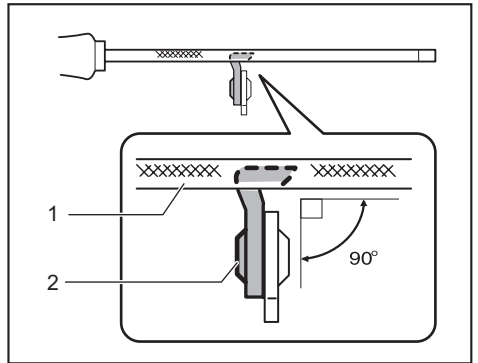
- All cutter length must be equal. Different cutter lengths prevent the saw chain from running smoothly and may cause the saw chain to break.
- Do not sharpen the chain when the cutter length has reached 3 mm (1/8") or shorter. The chain must be replaced with new one.
- The chip thickness is determined by the distance between the depth gauge (round nose) and the cutting edge.
- The best cutting results are obtained with following distance between cutting edge and depth gauge.
 - Chain blade 90PX : 0.65 mm (0.025")



- The sharpening angle of 30° must be the same on all cutters. Different cutter angles cause the chain to run roughly and unevenly, accelerate wear, and lead to chain breaks.
- Use a suitable round file so that the proper sharpening angle is kept against the teeth.
 - Chain blade 90PX : 55°

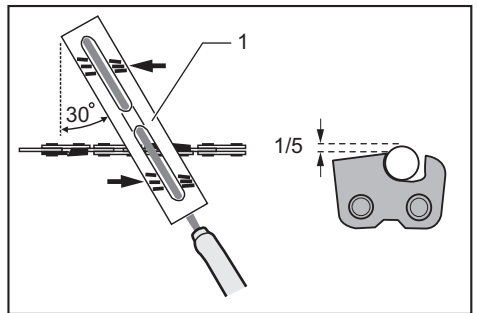
File and file guiding

- Use a special round file (optional accessory) for saw chains to sharpen the chain. Normal round files are not suitable.
- Diameter of the round file for each saw chain is as follows:
 - Chain blade 90PX : 4.5 mm (3/16")
- The file should only engage the cutter on the forward stroke. Lift the file off the cutter on the return stroke.
- Sharpen the shortest cutter first. Then the length of this shortest cutter becomes the standard for all other cutters on the saw chain.
- Guide the file as shown in the figure.



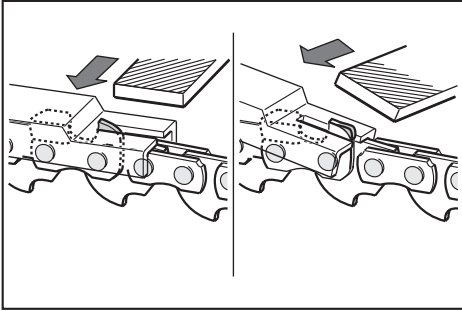
► **1. File 2. Saw chain**

- The file can be guided more easily if a file holder (optional accessory) is employed. The file holder has markings for the correct sharpening angle of 30° (align the markings parallel to the saw chain) and limits the depth of penetration (to 4/5 of the file diameter).



► **1. File holder**

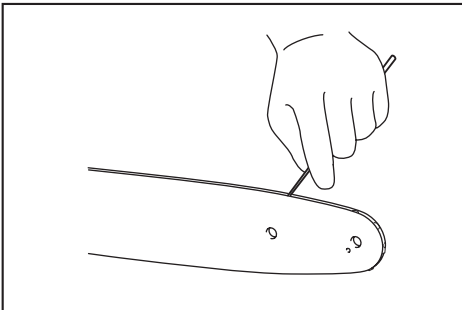
- After sharpening the chain, check the height of the depth gauge using the chain gauge tool (optional accessory).



- Remove any projecting material, however small, with a special flat file (optional accessory).
- Round off the front of the depth gauge again.

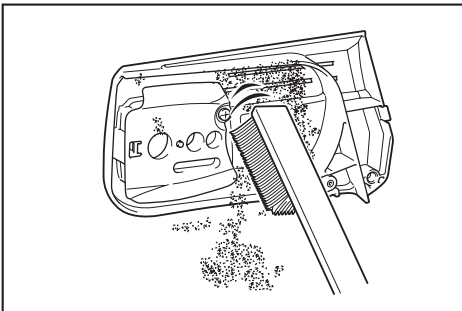
Cleaning the guide bar

Chips and sawdust will build up in the guide bar groove. They may clog the bar groove and impair the oil flow. Clean out the chips and sawdust every time when you sharpen or replace the saw chain.



Cleaning the sprocket cover

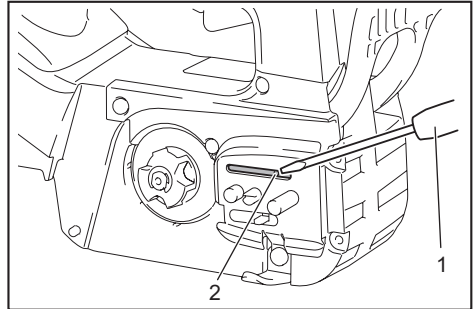
Chips and saw dust will accumulate inside of the sprocket cover. Remove the sprocket cover and saw chain from the tool then clean the chips and saw dust.



Cleaning the oil discharge hole

Small dust or particles may be built up in the oil discharge hole during operation. These dust or particles may impair the oil to flow and cause an insufficient lubrication on the whole saw chain. When a poor chain oil delivery occurs at the top of guide bar, clean the oil discharge hole as follows.

1. Remove the sprocket cover and saw chain from the tool.
2. Remove the small dust or particles using a slotted screwdriver or the like.



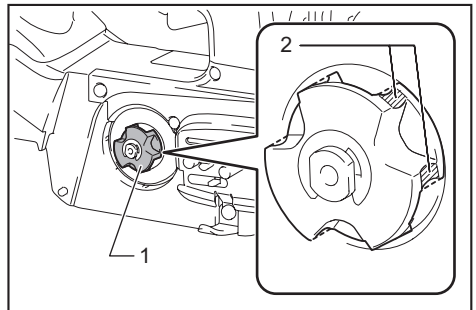
- 1. Slotted screwdriver 2. Oil discharge hole

3. Insert the battery cartridge into the tool. Pull the switch trigger to flow built-up dust or particles off the oil discharge hole by discharging chain oil.
4. Remove the battery cartridge from the tool. Reinstall the sprocket cover and saw chain on the tool.

Replacing the sprocket

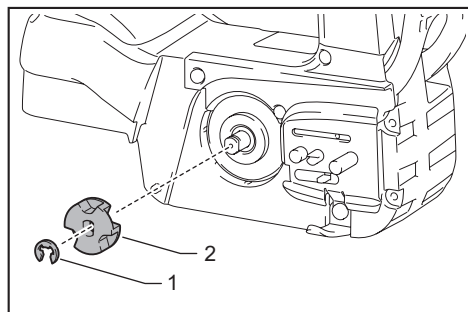
CAUTION: A worn sprocket will damage a new saw chain. Have the sprocket replaced in this case.

Before fitting a new saw chain, check the condition of the sprocket.



- 1. Sprocket 2. Areas to be worn out

Always fit a new locking ring when replacing the sprocket.



► 1. Locking ring 2. Sprocket

NOTICE: Make sure that the sprocket is installed as shown in the figure.

Storing the tool

1. Clean the tool before storing. Remove any chips and sawdust from the tool after removing the sprocket cover.
2. After cleaning the tool, run it under no load to lubricate the saw chain and guide bar.
3. Cover the guide bar with the guide bar cover.
4. Empty the oil tank.

Instructions for periodic maintenance

To ensure long life, prevent damage and ensure the full functioning of the safety features, the following maintenance must be performed regularly. Warranty claims can be recognized only if this work is performed regularly and properly. Failure to perform the prescribed maintenance work can lead to accidents! The user of the chain saw must not perform maintenance work which is not described in the instruction manual. All such work must be carried out by our authorized service center.

Check item / Operating time		Before operation	Everyday	Every week	Every 3 month	Annually	Before storage
Chain saw	Inspection.	✓	-	-	-	-	-
	Cleaning.	-	✓	-	-	-	-
	Check at authorized service center.	-	-	-	-	✓	✓
Saw chain	Inspection.	✓	-	-	-	-	-
	Sharpening if necessary.	-	-	-	-	-	✓
Guide bar	Inspection.	✓	✓	-	-	-	-
	Remove from the chain saw.	-	-	-	-	-	✓
Chain brake	Check the function.	✓	-	-	-	-	-
	Have it inspected regularly at authorized service center.	-	-	-	✓	-	-
Chain lubrication	Check the oil feed rate.	✓	-	-	-	-	-
Switch trigger	Inspection.	✓	-	-	-	-	-
Lock-off lever	Inspection.	✓	-	-	-	-	-
Oil tank cap	Check tightness.	✓	-	-	-	-	-
Chain catcher	Inspection.	-	-	✓	-	-	-
Screws and nuts	Inspection.	-	-	✓	-	-	-

TROUBLESHOOTING

Before asking for repairs, conduct your own inspection first. If you find a problem that is not explained in the manual, do not attempt to dismantle the tool. Instead, ask Makita Authorized Service Centers, always using Makita replacement parts for repairs.

Malfunction status	Cause	Action
The chain saw does not start.	Battery cartridge is not installed.	Install a charged battery cartridge.
	Battery problem (low voltage).	Recharge the battery cartridges. If recharging is not effective, replace the battery cartridge.
	Main power switch is off.	The chain saw is automatically turned off if it is un-operated for a certain period. Turn on the main power switch again.
The saw chain does not run.	Chain brake activated.	Release chain brake.
The motor stops running after a little use.	Battery's charge level is low.	Recharge the battery cartridges. If recharging is not effective, replace the battery cartridge.
No oil on the chain.	Oil tank is empty.	Fill the oil tank.
	Oil guide groove is dirty.	Clean the groove.
	Poor oil delivery.	Adjust the amount of oil delivery with the adjusting screw.
The chain saw does not reach maximum RPM.	Battery cartridge is installed improperly.	Install the battery cartridges as described in this manual.
	Battery power is dropping.	Recharge the battery cartridge. If recharging is not effective, replace the battery cartridge.
	The drive system does not work correctly.	Ask the authorized service center in your region for repair.
The main power lamp is blinking in green.	Switch trigger is pulled under an unoperable condition.	Pull the switch trigger after the main power switch is turned on and the chain brake is released.
Chain does not stop even the chain brake is activated: Stop the machine immediately!	The brake band is worn down.	Ask the authorized service center in your region for repair.
Abnormal vibration: Stop the machine immediately!	Loose guide bar or saw chain.	Adjust the guide bar and saw chain tension.
	Tool malfunction.	Ask the authorized service center in your region for repair.
The Torque Boost mode is not available after replacing the battery cartridge with a fully charged one.	Depending on the usage conditions, the Torque Boost mode is not available after replacing the battery cartridge.	Use the tool in the normal mode until the installed battery cartridge becomes empty, and then replace the battery cartridge with a fully charged one, or recharge the battery cartridge.
The saw chain cannot be installed.	The combination of saw chain and sprocket is not correct.	Use the correct combination of saw chain and sprocket by referring to the section for specifications.

OPTIONAL ACCESSORIES

⚠ CAUTION: These accessories or attachments are recommended for use with your Makita tool specified in this manual. The use of any other accessories or attachments might present a risk of injury to persons. Only use accessory or attachment for its stated purpose.

If you need any assistance for more details regarding these accessories, ask your local Makita Service Center.

- Saw chain
- Guide bar
- Guide bar cover
- Sprocket
- Spike bumper
- File
- Tool bag
- Makita genuine battery and charger

⚠ WARNING: If you purchase a guide bar of different length from the standard guide bar, also purchase a suitable guide bar cover together. It must fit and fully cover the guide bar on the chain saw.

NOTE: Some items in the list may be included in the tool package as standard accessories. They may differ from country to country.

MAKITA LIMITED WARRANTY

Please refer to the annexed warranty sheet for the most current warranty terms applicable to this product. If annexed warranty sheet is not available, refer to the warranty details set forth at below website for your respective country.

United States of America: www.makitatools.com

Canada: www.makita.ca

Other countries: www.makita.com

ESPECIFICACIONES

Modelo:		XCU05	XCU06	XCU10
Longitud total (sin la barra de guía)		256 mm (10-1/8")		
Tensión nominal		18 V c.c.		
Peso neto		2,8 kg - 3,3 kg (6,2 lbs - 7,2 lbs)		
Longitud de la barra de guía estándar		200 mm (8")	250 mm (10")	300 mm (12")
Longitud recomendada de la barra de guía	con la 90PX	200 mm - 300 mm (8" - 12")		
Tipo de cadena de la sierra aplicable (consulte la tabla a continuación)		90PX		
Pieza dentada estándar	Número de dientes	6		
	Paso	3/8"		
Velocidad de la cadena		0 m/s - 24 m/s (0 m/min - 1 440 m/min) (0 ft/min - 4 720 ft/min)		
Volumen del tanque de aceite para la cadena		140 cm ³ (4,7 fl oz)		

- Debido a nuestro continuo programa de investigación y desarrollo, las especificaciones aquí incluidas están sujetas a cambio sin previo aviso.
- Las especificaciones pueden variar de país a país.
- El peso puede variar en función de los accesorios, incluido el cartucho de batería. En la tabla se muestra la combinación de peso más ligero y más pesado conforme al procedimiento 01/2014 de EPTA.

Cartucho de batería y cargador aplicables

Cartucho de batería	BL1815N / BL1820B / BL1830 / BL1830B / BL1840B / BL1850B / BL1860B
Cargador	DC18RC / DC18RD / DC18RE / DC18SD / DC18SE / DC18SF / DC18SH

- Algunos de los cartuchos de batería y cargadores enumerados arriba podrían no estar disponibles dependiendo de su área de residencia.

⚠ ADVERTENCIA: Use únicamente los cartuchos de batería y los cargadores indicados arriba. El uso de cualquier otro cartucho de batería y cargador podría ocasionar una lesión y/o un incendio.

Combinación de cadena de la sierra, barra de guía y pieza dentada

Tipo de cadena de la sierra		90PX		
Número de eslabones motorices		33	40	46
Barra de guía	Longitud de la barra de guía	200 mm (8")	250 mm (10")	300 mm (12")
	Longitud de corte	171 mm (6-3/4")	235 mm (9-1/4")	292 mm (11-1/2")
	No. de pieza	161848-6	161846-0	165245-8
	Paso	3/8"		
	Calibre	1,1 mm (0,043")		
	Tipo	Barra dentada		
Pieza dentada	Número de dientes	6		
	Paso	3/8"		

⚠ ADVERTENCIA: Utilice una combinación apropiada de la barra de guía y cadena de la sierra. De lo contrario, esto podría ocasionar una lesión personal.

ADVERTENCIAS DE SEGURIDAD

Advertencias generales de seguridad para herramientas eléctricas

⚠ ADVERTENCIA: Lea todas las advertencias de seguridad, instrucciones, ilustraciones y especificaciones suministradas con esta herramienta eléctrica. El no seguir todas las instrucciones indicadas a continuación podría ocasionar una descarga eléctrica, incendio y/o lesiones graves.

Conserve todas las advertencias e instrucciones como referencia en el futuro.

En las advertencias, el término "herramienta eléctrica" se refiere a su herramienta eléctrica de funcionamiento con conexión a la red eléctrica (con cableado eléctrico) o herramienta eléctrica de funcionamiento a batería (inalámbrica).

Seguridad en el área de trabajo

1. **Mantenga el área de trabajo limpia y bien iluminada.** Las áreas oscuras o desordenadas son propensas a accidentes.
2. **No utilice las herramientas eléctricas en atmósferas explosivas, tal como en la presencia de líquidos, gases o polvo inflamables.** Las herramientas eléctricas crean chispas que pueden prender fuego al polvo o los humos.

3. **Mantenga a los niños y curiosos alejados mientras utiliza una herramienta eléctrica.** Las distracciones le pueden hacer perder el control.

Seguridad eléctrica

1. **Las clavijas de conexión de las herramientas eléctricas deberán encajar perfectamente en la toma de corriente. No modifique nunca la clavija de conexión de ninguna forma. No utilice ninguna clavija adaptadora con herramientas eléctricas que tengan conexión a tierra (puesta a tierra).** La utilización de clavijas no modificadas y que encajen perfectamente en la toma de corriente reducirá el riesgo de que se produzca una descarga eléctrica.
2. **Evite tocar con el cuerpo superficies conectadas a tierra o puestas a tierra tales como tubos, radiadores, cocinas y refrigeradores.** Si su cuerpo es puesto a tierra o conectado a tierra existirá un mayor riesgo de que sufra una descarga eléctrica.
3. **No exponga las herramientas eléctricas a la lluvia ni a condiciones húmedas.** La entrada de agua en una herramienta eléctrica aumentará el riesgo de que se produzca una descarga eléctrica.
4. **No maltrate el cable. Nunca utilice el cable para transportar, jalar o desconectar la herramienta eléctrica. Mantenga el cable alejado del calor, aceite, objetos cortantes o piezas móviles.** Los cables dañados o enredados aumentan el riesgo de sufrir una descarga eléctrica.

5. **Cuando utilice una herramienta eléctrica en exteriores, utilice un cable de extensión apropiado para uso en exteriores.** La utilización de un cable apropiado para uso en exteriores reducirá el riesgo de que se produzca una descarga eléctrica.
6. **Si no es posible evitar usar una herramienta eléctrica en condiciones húmedas, utilice un alimentador protegido con interruptor de circuito de falla a tierra (ICFT).** El uso de un ICFT reduce el riesgo de descarga eléctrica.
7. **Las herramientas eléctricas pueden producir campos electromagnéticos (CEM) que no son dañinos para el usuario.** Sin embargo, si los usuarios tienen marcapasos y otros dispositivos médicos similares, deberán consultar al fabricante de su dispositivo y/o a su médico antes de operar esta herramienta eléctrica.
6. **Use una vestimenta apropiada. No use ropa suelta ni alhajas. Mantenga el cabello, la ropa y los guantes alejados de las piezas móviles.** Las prendas de vestir holgadas, las alhajas y el cabello largo suelto podrían engancharse en estas piezas móviles.
7. **Si dispone de dispositivos para la conexión de equipos de extracción y recolección de polvo, asegúrese de conectarlos y utilizarlos debidamente.** Hacer uso de la recolección de polvo puede reducir los riesgos relacionados con el polvo.
8. **No permita que la familiaridad adquirida debido al uso frecuente de las herramientas haga que se sienta confiado e ignore los principios de seguridad de las herramientas.** Un descuido podría ocasionar una lesión grave en una fracción de segundo.

Seguridad personal

1. **Manténgase alerta, preste atención a lo que está haciendo y utilice su sentido común cuando opere una herramienta eléctrica. No utilice una herramienta eléctrica cuando esté cansado o bajo la influencia de drogas, alcohol o medicamentos.** Un momento de distracción mientras opera las herramientas eléctricas puede terminar en una lesión grave.
2. **Use equipo de protección personal. Póngase siempre protección para los ojos.** El equipo protector tal como máscara contra el polvo, zapatos de seguridad antiderrapantes, casco rígido y protección para oídos utilizado en las condiciones apropiadas reducirá el riesgo de lesiones.
3. **Impida el encendido accidental. Asegúrese de que el interruptor esté en la posición de apagado antes de conectar a la alimentación eléctrica y/o de colocar el cartucho de batería, así como al levantar o cargar la herramienta.** Cargar las herramientas eléctricas con su dedo en el interruptor o enchufarlas con el interruptor encendido hace que los accidentes sean comunes.
4. **Retire cualquier llave de ajuste o llave de apriete antes de encender la herramienta.** Una llave de ajuste o llave de apriete que haya sido dejada puesta en una parte giratoria de la herramienta eléctrica puede ocasionar alguna lesión.
5. **No utilice la herramienta donde no alcance. Mantenga los pies sobre suelo firme y el equilibrio en todo momento.** Esto permite un mejor control de la herramienta eléctrica en situaciones inesperadas.

9. **Utilice siempre gafas protectoras para proteger sus ojos de lesiones al usar herramientas eléctricas. Las gafas deben cumplir con la Norma ANSI Z87.1 en EUA. Es responsabilidad del empleador imponer el uso de equipos protectores de seguridad apropiados a los operadores de la herramienta y demás personas cerca del área de trabajo.**

Mantenimiento y uso de la herramienta eléctrica

1. **No fuerce la herramienta eléctrica. Utilice la herramienta eléctrica correcta para su aplicación.** La herramienta eléctrica adecuada hará un mejor trabajo y de forma más segura a la velocidad para la que ha sido fabricada.
2. **No utilice la herramienta eléctrica si el interruptor no la enciende y apaga.** Cualquier herramienta eléctrica que no pueda ser controlada con el interruptor es peligrosa y debe ser reemplazada.
3. **Desconecte la clavija de la fuente de alimentación y/o retire la batería de la herramienta eléctrica, en caso de ser removible, antes de realizar ajustes, cambiar accesorios o almacenar las herramientas eléctricas.** Tales medidas de seguridad preventivas reducirán el riesgo de poner en marcha la herramienta eléctrica de forma accidental.
4. **Guarde la herramienta eléctrica que no use fuera del alcance de los niños y no permita que las personas que no están familiarizadas con ella o con las instrucciones la operen.** Las herramientas eléctricas son peligrosas en manos de personas que no saben operarlas.

5. **Dé mantenimiento a las herramientas eléctricas y los accesorios. Compruebe que no haya piezas móviles desalineadas o estanca- das, piezas rotas y cualquier otra condición que pueda afectar al funcionamiento de la herramienta eléctrica. Si la herramienta eléctrica está dañada, haga que la reparen antes de utilizarla.** Muchos de los accidentes son ocasionados por no dar un mantenimiento adecuado a las herramientas eléctricas.
 6. **Mantenga las herramientas de corte limpi- as y filosas.** Si recibe un mantenimiento adecuado y tiene los bordes afilados, es probable que la herramienta se atasque menos y sea más fácil controlarla.
 7. **Utilice la herramienta eléctrica, los accesorios y las brocas de acuerdo con estas instrucciones, considerando las condiciones laborales y el trabajo a realizar.** Si utiliza la herramienta eléctrica para realizar operaciones distintas de las indicadas, podrá presentarse una situación peligrosa.
 8. **Mantenga los mangos y superficies de asimiento secos, limpios y libres de aceite o grasa.** Los mangos y superficies de asimiento resbalosos no permiten una manipulación segura ni el control de la herramienta en situaciones inesperadas.
 9. **Cuando vaya a utilizar esta herramienta, evite usar guantes de trabajo de tela ya que éstos podrían atorarse.** Si los guantes de trabajo de tela llegaran a atorarse en las piezas móviles, esto podría ocasionar lesiones personales.
5. **No utilice una herramienta ni una batería que estén dañadas o hayan sido modificadas.** Las baterías dañadas o modificadas podrían ocasionar una situación inesperada provocando un incendio, explosión o riesgo de lesiones.
 6. **No exponga la herramienta ni la batería al fuego ni a una temperatura excesiva.** La exposición al fuego o a una temperatura superior a los 130 °C podría causar una explosión.
 7. **Siga todas las instrucciones para la carga y evite cargar la herramienta o la batería fuera del rango de temperatura especificado en las instrucciones.** Una carga inadecuada o a una temperatura fuera del rango especificado podría dañar la batería e incrementar el riesgo de incendio.

Servicio

1. **Haga que una persona calificada repare la herramienta eléctrica utilizando sólo piezas de repuesto idénticas.** Esto asegura que se mantenga la seguridad de la herramienta eléctrica.
2. **Nunca dé servicio a baterías que estén dañadas.** El servicio a las baterías solamente deberá ser efectuado por el fabricante o un agente de servicio autorizado.
3. **Siga las instrucciones para la lubricación y cambio de accesorios.**
4. **No modifique ni intente reparar el aparato ni el paquete de baterías salvo como se indique en las instrucciones para el uso y cuidado.**

Advertencias de seguridad para la electrosierra inalámbrica

Uso y cuidado de la herramienta a batería

1. **Recargue sólo con el cargador especificado por el fabricante.** Un cargador que es adecuado para un solo tipo de batería puede generar riesgo de incendio al ser utilizado con otra batería.
 2. **Utilice las herramientas eléctricas solamente con las baterías designadas específicamente para ellas.** La utilización de cualquier otra batería puede crear un riesgo de lesiones o incendio.
 3. **Cuando no se esté usando la batería, manténgala alejada de otros objetos metálicos, como sujetapapeles (clips), monedas, llaves, clavos, tornillos u otros objetos pequeños de metal los cuales pueden actuar creando una conexión entre las terminales de la batería.** Originar un cortocircuito en las terminales puede causar quemaduras o incendios.
 4. **En condiciones abusivas, podrá escapar líquido de la batería; evite tocarlo. Si lo toca accidentalmente, enjuague con agua. Si hay contacto del líquido con los ojos, busque asistencia médica.** Puede que el líquido expulsado de la batería cause irritación o quemaduras.
1. **Mantenga todas las partes del cuerpo alejadas de la cadena de la sierra cuando la sierra eléctrica esté en marcha. Antes de arrancar la sierra eléctrica, asegúrese de que la cadena de la sierra no esté haciendo contacto con nada.** Un momento de falta de atención al estar operando sierras eléctricas podría causar que su ropa o alguna parte de su cuerpo se enganchara con la cadena de la sierra.
 2. **Siempre sujete la sierra eléctrica con su mano derecha en el mango superior y su mano izquierda en el mango delantero.** Sujetar la sierra eléctrica con una configuración de manos invertida aumenta el riesgo de lesiones personales, por lo que nunca debe hacer esto.
 3. **Sujete la herramienta eléctrica solamente por las superficies de asimiento aisladas, ya que la cadena de la sierra podría entrar en contacto con cableado oculto.** Si las cadenas de la sierras entran en contacto con un cable con corriente, las piezas metálicas expuestas de la herramienta eléctrica se cargarán también de corriente y el operador podría recibir una descarga eléctrica.

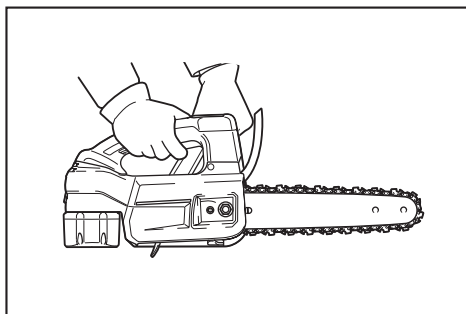
4. **Utilice gafas de seguridad y protección auditiva.** Se recomienda utilizar equipo de protección adicional para la cabeza, manos, piernas y pies. El uso de una vestimenta de protección adecuada reducirá las lesiones personales a causa de los residuos que salgan proyectados o el contacto accidental con la cadena de la sierra.
5. **No use una sierra eléctrica estando en un árbol.** La operación de una sierra eléctrica estando arriba en un árbol podría ocasionar lesiones personales.
6. **Siempre pise firmemente y solamente opere la sierra eléctrica cuando esté parado sobre una superficie fija, segura y nivelada.** Las superficies resbalosas o inestables tales como las escaleras pueden causar la pérdida del equilibrio o del control de la sierra eléctrica.
7. **Cuando corte una rama que se encuentre tensionada, esté alerta a su liberación brusca.** Al liberarse la tensión en las fibras de la madera, la rama tensionada puede golpear al operador y/o provocar la pérdida de control de la sierra eléctrica.
8. **Tenga extrema precaución al cortar matorrales y árboles jóvenes.** El material tierno puede quedar atascado en la cadena de la sierra y ser lanzado hacia usted o hacerle perder el equilibrio.
9. **Cargue la sierra eléctrica del mango delantero estando apagada y lejos de su cuerpo. Cuando vaya a transportar o almacenar la sierra eléctrica, coloque siempre la cubierta de la barra de guía.** La manipulación adecuada de la sierra eléctrica reducirá la probabilidad de un contacto accidental con la sierra eléctrica en movimiento.
10. **Siga las instrucciones para la lubricación, tensión de la cadena y cambio de accesorios.** Una tensión o lubricación inadecuadas de la cadena podría ya sea ocasionar un rompimiento o aumentar la probabilidad de un retroceso brusco.
11. **Mantenga los mangos secos, limpios, y libres de aceite y grasa.** Los mangos grasosos y aceitosos son resbalosos y causan la pérdida de control.
12. **Corte madera únicamente. No utilice la sierra eléctrica para otros fines que no sean para los que fue diseñada. Por ejemplo: no utilice la sierra eléctrica para cortar plástico, mampostería o materiales de construcción que no sean de madera.** El uso de la sierra eléctrica para operaciones distintas para las que fue diseñada podría provocar una situación peligrosa.

13. Causas de retrocesos bruscos y prevención por parte del operador:

El retroceso brusco puede ocurrir cuando la nariz o punta de la barra de guía toca algún objeto, o cuando la madera alcanza la cadena de la sierra y la atora en el corte. En algunos casos, el contacto de la punta puede causar una reacción en reversa, ocasionando que la barra de guía se mueva brusca-mente hacia arriba y hacia atrás en dirección del operador. El atoramiento de la cadena de la sierra junto con la parte superior de la barra de guía puede empujar rápidamente la barra de guía hacia atrás en la dirección del operador. Cualquiera de estas reacciones puede causar la pérdida de control de la sierra, lo que a su vez podría ocasionar lesiones personales graves. No dependa exclusivamente de los dispositivos de seguridad incorporados en su sierra. Como usuario de una sierra eléctrica, usted deberá tomar diversas medidas para mantener sus trabajos de corte libres de accidentes o lesiones.

El retroceso brusco es el resultado de un mal uso de la herramienta y/o de procedimientos o condiciones de operación incorrectos y puede evitarse tomando las precauciones adecuadas tal como se indica a continuación:

- **Mantenga una sujeción firme, rodeando con los pulgares y los dedos los mangos de la sierra eléctrica, con ambas manos en la sierra y posicionando su cuerpo y su brazo de manera que le permita resistir las fuerzas de los retrocesos bruscos.** Las fuerzas de los retrocesos bruscos pueden ser controladas por el operador, siempre que se tomen las precauciones adecuadas. No suelte la sierra eléctrica.



- **No exceda su alcance ni corte por encima de la altura de su hombro.** Esto le ayudará a prevenir que la punta haga contacto de manera no intencional y le permita un mejor control de la sierra eléctrica durante situaciones inesperadas.

- **Use solamente barras y cadenas de repuesto especificadas por el fabricante.** El reemplazo incorrecto de las barras y cadenas podría causar la rotura de la cadena y/o un retroceso brusco.
 - **Siga las instrucciones de afilado y mantenimiento del fabricante para la cadena de la sierra.** Reducir la altura del calibrador de profundidad podría ocasionar un mayor número de retrocesos bruscos.
14. **Antes de comenzar el trabajo, verifique que la sierra eléctrica se encuentre en buen estado y que su condición cumpla con las normas de seguridad. Verifique en particular que:**
 - El freno de la cadena funcione debidamente;
 - El freno de retención funcione debidamente;
 - La barra y la cubierta de la pieza dentada estén colocadas correctamente;
 - La cadena haya sido afilada y tensiionada de acuerdo con los reglamentos.
 15. **No arranque la sierra eléctrica con la cubierta de la cadena instalada en ésta.** El arrancar la sierra eléctrica con la cubierta de la cadena instalada en ésta podría causar que la cubierta de la cadena saliera arrojada hacia adelante, ocasionando lesiones personales y daños a los objetos alrededor del operador.

Advertencias de seguridad adicionales:

1. **Cuando utilice la herramienta con el adaptador para batería, tenga cuidado de no tropezarse con el cable durante la operación.**
2. **Cuando utilice la herramienta con el adaptador para batería, mantenga el cable alejado de obstáculos, tales como una pieza de trabajo y ramas durante la operación.** Podrían ocurrir lesiones graves si el cable queda atrapado entre obstáculos.

Advertencias de seguridad específicas para la sierra eléctrica con mango superior

1. **Efectúe las tareas de limpieza y mantenimiento antes del almacenamiento de acuerdo con el manual de instrucciones.**
2. **Asegúrese de que la sierra eléctrica esté en una posición segura cuando la vaya a transportar en un vehículo para evitar fugas de combustible o de aceite de la cadena, daños a la herramienta y lesiones personales.**

3. **Revise regularmente el funcionamiento del freno de la cadena.**
4. **No llene el aceite de la cadena cerca del fuego. Nunca fume mientras esté llenando el aceite de la cadena.**
5. **Los reglamentos nacionales pueden restringir el uso de la sierra eléctrica.**
6. **Si la herramienta recibe un fuerte golpe o se cae, revise su estado antes de continuar trabajando. Revise los controles y dispositivos de seguridad para ver que no tengan averías. En caso de haber daños o dudas, solicite la inspección y reparación a nuestro centro de servicio autorizado.**
7. **Active siempre el freno de la cadena antes de arrancar la sierra eléctrica.**
8. **Sujete la sierra firmemente en su lugar para evitar que la sierra se derrape (movimiento de deslizamiento) o rebote al comenzar a cortar.**
9. **Al finalizar el corte, tenga cuidado de mantener el equilibrio al “dejar caer” la herramienta.**
10. **Tenga en cuenta la dirección y la velocidad del viento. Evite el aserrín y la neblina de aceite de la cadena.**

Equipo de protección

1. **A fin de evitar lesiones ya sea en la cabeza, ojos, manos o pies, así como para proteger su audición, se requiere el uso del siguiente equipo de protección durante la operación de la sierra eléctrica:**
 - La vestimenta debe ser apropiada, es decir, deberá quedar ajustada pero sin que estorbe. No use alhajas ni ropa que puedan enredarse en los arbustos o matorrales. Si tiene el cabello largo, ¡siempre colóquese una red!
 - Es necesario llevar un casco protector siempre que se trabaje con la sierra eléctrica. El **casco protector** debe ser revisado durante intervalos periódicos para ver si tiene daños y deberá ser reemplazado a más tardar cada 5 años. Use sólo cascos protectores aprobados.
 - La **careta de protección** del casco protector (o las gafas de seguridad) protégé contra el aserrín y las astillas de madera. Durante la operación de la sierra eléctrica, utilice siempre gafas de seguridad o careta de protección para evitar lesiones en los ojos.

- Utilice un **equipo de protección contra el ruido** adecuado (orejeras, tapones para los oídos, etc.).
- La **chaqueta de protección** consta de 22 capas de nailon y protege al operador de las cortaduras. Ésta siempre deberá llevarse al trabajar en plataformas elevadas (grúa de canastilla, elevadores) o en plataformas montadas sobre escaleras.
- El **overol de protección con rodilleras y peto** está hecho con 22 capas de nailon y protege contra las cortaduras. Su uso es altamente recomendado.
- Los **guantes protectores** hechos de cuero grueso forman parte del equipo requerido y deberán usarse siempre durante la operación de la sierra eléctrica.
- Durante la operación de la sierra eléctrica, deberán utilizarse **zapatos o botas de seguridad** con suelas antiderrapantes, puntas de acero y protección para las piernas. Los zapatos de seguridad equipados con una capa protectora protegen contra las cortaduras y aseguran una pisada firme.

Vibración






1. Las personas con mala circulación que estén expuestas a una vibración excesiva podrían sufrir lesiones en los vasos sanguíneos o en el sistema nervioso. La vibración podría causar los siguientes síntomas en los dedos, manos o muñecas: “Adormecimiento” (entumecimiento), hormigueo, dolor, sensación punzante, alteración del color de la piel o de la piel. **Si cualquiera de estos síntomas ocurre, ¡vaya a ver a un médico!** Para reducir el riesgo de la “enfermedad del dedo blanco”, mantenga sus manos calientes durante la operación y mantenga en buen estado la herramienta y los accesorios.

GUARDE ESTAS INSTRUCCIONES.

⚠ADVERTENCIA: NO DEJE que la comodidad o familiaridad con el producto (a base de utilizarlo repetidamente) evite que siga estrictamente las normas de seguridad para dicho producto. El USO INCORRECTO o el no seguir las normas de seguridad indicadas en este manual de instrucciones puede ocasionar lesiones graves.

Símbolos

A continuación se muestran los símbolos utilizados para la herramienta.

v	volts o voltios
— — —	corriente directa o continua
m/s	metros por segundo
ft/min	pies por minuto
	número de piezas de la cadena de la sierra y la barra de guía aplicables
	Utilice casco, gafas de seguridad y protección auditiva.
	Use una protección adecuada para el pie-pierna y la mano-brazo.
	No se exponga a la humedad.
	Utilice siempre ambas manos cuando opere la sierra eléctrica.

Instrucciones importantes de seguridad para el cartucho de batería

1. **Antes de utilizar el cartucho de batería, lea todas las instrucciones e indicaciones de precaución en el (1) el cargador de batería, (2) la batería, y (3) el producto con el que se utiliza la batería.**
2. **No desarme ni modifique el cartucho de batería.** Podría ocurrir un incendio, calor excesivo o una explosión.
3. **Si el tiempo de operación se ha acortado en exceso, deje de operar de inmediato.** Podría correrse el riesgo de sobrecalentamiento, posibles quemaduras e incluso explosión.
4. **En caso de que ingresen electrolitos en sus ojos, enjuáguelos bien con agua limpia y consulte de inmediato a un médico.** Esto podría ocasionar pérdida de visión.
5. **Evite cortocircuitar el cartucho de batería:**
 - (1) **No toque las terminales con ningún material conductor.**
 - (2) **Evite guardar el cartucho de batería en un cajón junto con otros objetos metálicos, tales como clavos, monedas, etc.**
 - (3) **No exponga el cartucho de batería al agua o la lluvia.**

- Un cortocircuito en la batería puede causar un flujo grande de corriente, sobrecalentamiento, posibles quemaduras e incluso una descompostura.
6. No guarde ni utilice la herramienta y el cartucho de batería en lugares donde la temperatura pueda alcanzar o exceder los 50 °C (122 °F).
 7. Nunca incinere el cartucho de batería incluso en el caso de que esté dañado seriamente o ya no sirva en absoluto. El cartucho de batería puede explotar si se tira al fuego.
 8. No clave, corte, aplaste, lance o deje caer el cartucho de batería, ni golpee un objeto sólido contra el cartucho de batería. Dicha acción podría resultar en un incendio, calor excesivo o en una explosión.
 9. No use una batería dañada.
 10. Las baterías de ión de litio están sujetas a los requisitos reglamentarios en materia de bienes peligrosos.
Para el transporte comercial, por ej., mediante terceros o agentes de transporte, se deben tomar en cuenta los requisitos especiales relativos al empaque y el etiquetado.
Para efectuar los preparativos del artículo que se va a enviar, se requiere consultar a un experto en materiales peligrosos. Si es posible, consulte además otras regulaciones nacionales más detalladas.
Pegue o cubra con cinta adhesiva los contactos abiertos y empaque la batería de manera que ésta no pueda moverse dentro del paquete.
 11. **Para deshacerse del cartucho de batería, sáquelo de la herramienta y deséchelo en un lugar seguro. Siga las regulaciones locales relacionadas al desecho de las baterías.**
 12. **Utilice las baterías únicamente con los productos especificados por Makita.** Instalar las baterías en productos que no cumplan con los requisitos podría ocasionar un incendio, un calentamiento excesivo, una explosión o una fuga de electrolito.
 13. **Si no se utiliza la herramienta por un periodo largo, debe extraerse la batería de la herramienta.**
 14. **El cartucho de batería podría absorber calor durante y después de su uso, lo que ocasionaría quemaduras o quemaduras a baja temperatura. Tenga cuidado con la manipulación de los cartuchos de batería que estén calientes.**
 15. **No toque el terminal de la herramienta inmediatamente después de su uso, ya que el mismo podría estar lo suficientemente caliente como para provocarle quemaduras.**
 16. **No permita que las rebabas, el polvo o la tierra queden atrapados en los terminales, orificios y ranuras del cartucho de batería.** Esto podría ocasionar un desempeño deficiente o descompostura de la herramienta o del cartucho de batería.
 17. **No utilice el cartucho de batería cerca de cables eléctricos de alto voltaje, a menos que la herramienta sea compatible con el uso cercano a estos cables eléctricos de alto voltaje.** Esto podría ocasionar una avería o descompostura de la herramienta o del cartucho de batería.
 18. **Mantenga la batería alejada de los niños.**

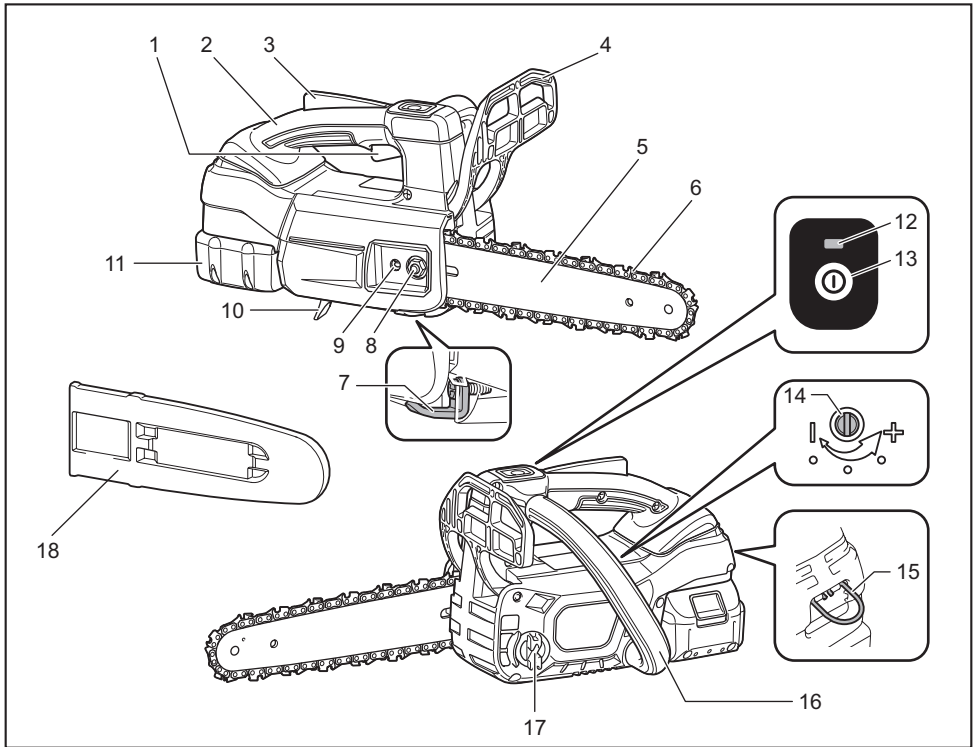
GUARDE ESTAS INSTRUCCIONES.

⚠PRECAUCIÓN: Utilice únicamente baterías originales de Makita. El uso de baterías no originales de Makita, o de baterías alteradas, puede ocasionar que las baterías exploten causando un incendio, lesiones personales y daños. Asimismo, esto invalidará la garantía de Makita para la herramienta y el cargador Makita.

Consejos para alargar al máximo la vida útil de la batería

1. **Cargue el cartucho de batería antes de que se descargue completamente. Pare siempre la operación y cargue el cartucho de batería cuando note menos potencia en la herramienta.**
2. **No cargue nunca un cartucho de batería que esté completamente cargado. La sobrecarga acortará la vida de servicio de la batería.**
3. **Cargue el cartucho de batería a una temperatura ambiente de 10 °C - 40 °C (50 °F - 104 °F). Si un cartucho de batería está caliente, déjelo enfriar antes de cargarlo.**
4. **Cuando no utilice el cartucho de batería, sáquelo de la herramienta o del cargador.**
5. **Cargue el cartucho de batería si no va a utilizarlo durante un periodo prolongado (más de seis meses).**

DESCRIPCIÓN DE LAS PIEZAS



1	Gatillo interruptor	2	Mango superior	3	Palanca de desbloqueo
4	Protector de mano delantero	5	Barra de guía	6	Cadena de la sierra
7	Receptor de la cadena	8	Tuerca de retención	9	Tornillo de ajuste de la cadena
10	Salida de astillas	11	Cartucho de batería	12	Lámpara de alimentación principal
13	Interruptor de alimentación principal	14	Tornillo de ajuste (para bomba de aceite)	15	Carabina
16	Mango delantero	17	Tapa del tanque de aceite	18	Cubierta de la barra de guía

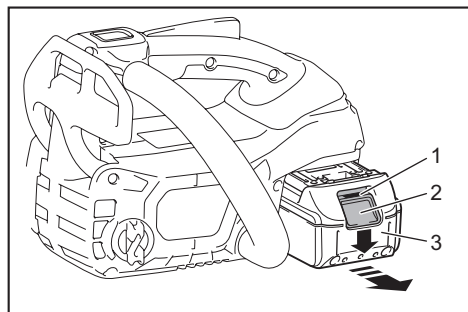
DESCRIPCIÓN DEL FUNCIONAMIENTO

⚠️ PRECAUCIÓN: Asegúrese siempre de que la herramienta esté apagada y el cartucho de batería haya sido extraído antes de realizar cualquier ajuste o comprobación en la herramienta.

Instalación o extracción del cartucho de batería

⚠️ PRECAUCIÓN: Apague siempre la herramienta antes de colocar o quitar el cartucho de batería.

⚠️ PRECAUCIÓN: Sujete la herramienta y el cartucho de la batería con firmeza al colocar o quitar el cartucho de batería. Si no se sujeta con firmeza la herramienta y el cartucho de batería, puede ocasionar que se resbalen de sus manos causando daños a la herramienta y al cartucho de batería, así como lesiones a la persona.



► 1. Indicador rojo 2. Botón 3. Cartucho de batería

Para quitar el cartucho de batería, deslícelo de la herramienta mientras desliza el botón sobre la parte delantera del cartucho.

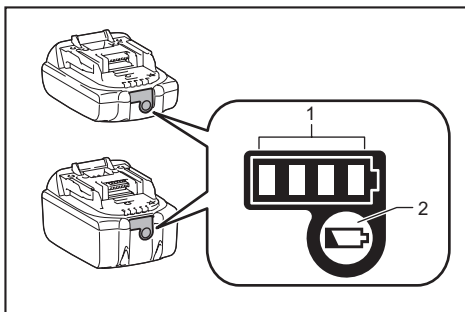
Para instalar el cartucho de batería, alinee la lengüeta sobre el cartucho de batería con la ranura en la carcasa y deslícela hasta su lugar. Insértelo por completo hasta que se fije en su lugar con un pequeño clic. Si puede ver el indicador rojo como se muestra en la ilustración, este no ha quedado asegurado por completo.

⚠️ PRECAUCIÓN: Introduzca siempre completamente el cartucho de batería hasta que el indicador rojo no pueda verse. Si no, podría accidentalmente salirse de la herramienta y caer al suelo causando una lesión a usted o alguien a su alrededor.

⚠️ PRECAUCIÓN: No instale el cartucho de batería a la fuerza. Si el cartucho no se desliza al interior fácilmente, se debe a que no está siendo insertado correctamente.

Indicación de la capacidad restante de la batería

Únicamente para cartuchos de batería con el indicador



► 1. Luces indicadoras 2. Botón de verificación

Oprima el botón de verificación en el cartucho de la batería para que indique la capacidad restante de la batería. Las luces indicadoras se iluminarán por algunos segundos.

Luces indicadoras			Capacidad restante
■ Iluminadas	□ Apagadas	▬ Parpadeando	
■ ■ ■ ■			75% a 100%
■ ■ ■ □			50% a 75%
■ ■ □ □			25% a 50%
■ □ □ □			0% a 25%
▬ □ □ □			Cargar la batería.
■ ■ □ □			La batería pudo haber funcionado mal.
□ □ ■ ■			

NOTA: Dependiendo de las condiciones de uso y la temperatura ambiente, la indicación podrá diferir ligeramente de la capacidad real.

NOTA: La primera luz indicadora (extrema izquierda) parpadeará cuando el sistema de protección de batería esté en funcionamiento.

Sistema de protección para la herramienta/batería

La herramienta está equipada con un sistema de protección de la herramienta/batería. Este sistema corta en forma automática el suministro de energía al motor para prolongar la vida útil de la herramienta y la batería. La herramienta se detendrá automáticamente durante la operación si la herramienta o la batería se someten a una de las siguientes condiciones:

Protección contra sobrecarga

Cuando la batería sea utilizada de una manera que cause que consuma una cantidad anormalmente alta de corriente, la herramienta se detendrá automáticamente y la lámpara de alimentación principal parpadeará en verde. En este caso, apague la herramienta y detenga la aplicación que causó que la herramienta se sobrecargara. Luego encienda la herramienta para reiniciarla.

Protección contra sobrecalentamiento

Cuando la herramienta o la batería se sobrecalienten, la herramienta se detendrá automáticamente y la lámpara de alimentación principal se encenderá en rojo. En este caso, permita que la herramienta y la batería se enfríen antes de volver a encender la herramienta.

NOTA: En un entorno donde la temperatura sea alta, es probable que la protección contra sobrecalentamiento se active y la herramienta se detenga automáticamente.

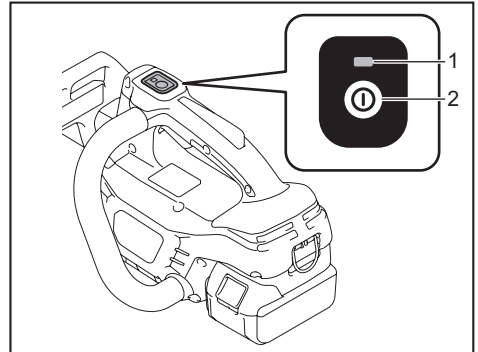
Protección en caso de sobredescarga

Cuando la capacidad de la batería no sea suficiente, la herramienta se detendrá automáticamente y la lámpara de alimentación principal parpadeará en rojo. En este caso, retire la batería de la herramienta y cárguela.

Interruptor de alimentación principal

ADVERTENCIA: Siempre apague el interruptor de alimentación principal cuando no lo vaya a utilizar.

Para encender la herramienta, oprima el interruptor de alimentación principal hasta que la lámpara de alimentación principal se encienda en verde. Para apagarla, oprima nuevamente el interruptor de alimentación principal.



- ▶ 1. Lámpara de alimentación principal
- ▶ 2. Interruptor de alimentación principal

NOTA: La lámpara de alimentación principal parpadeará en verde si el gatillo interruptor es jalado en condiciones de inoperabilidad. La lámpara parpadea en una de las siguientes condiciones.

- Cuando enciende el interruptor de alimentación principal mientras mantiene presionada la palanca de desbloqueo y el gatillo interruptor.
- Cuando jala el gatillo interruptor mientras acciona el freno de la cadena.
- Cuando libera el freno de la cadena mientras mantiene presionada la palanca de desbloqueo y jala el gatillo interruptor.

NOTA: Esta herramienta emplea la función de apagado automático. A fin de evitar un arranque no intencional, el interruptor de alimentación principal se apagará automáticamente cuando el gatillo interruptor no sea jalado durante cierto período después de que el interruptor de alimentación principal haya sido encendido.

Usted puede usar la herramienta en el modo Aumento de torsión para cortar ramas gruesas o duras. Para usar la herramienta en el modo Aumento de torsión cuando la herramienta esté apagada, oprima el interruptor de alimentación principal durante unos segundos hasta que la lámpara de alimentación principal se encienda en amarillo.

NOTA: Usted puede utilizar la herramienta en el modo Aumento de torsión por un máximo de 60 segundos. Dependiendo de las condiciones de uso, este modo cambia al modo normal en menos de 60 segundos.

NOTA: Si la lámpara de alimentación principal parpadea en amarillo al oprimir el interruptor de alimentación principal durante unos segundos, el modo Aumento de torsión no está disponible. En este caso, siga los pasos a continuación.

- El modo Aumento de torsión no está disponible justo después de la operación de corte. Espere más de 10 segundos y luego oprima el interruptor de alimentación principal nuevamente.
- Si usted utiliza el modo Aumento de torsión varias veces, el uso del modo Aumento de torsión quedará restringido para proteger a la batería. Si el modo Aumento de torsión no está disponible después de esperar más de 10 segundos, reemplace el cartucho de batería con uno completamente cargado, o recargue el cartucho de batería.

NOTA: Si la lámpara de alimentación principal enciende en rojo o parpadea en rojo o en verde, consulte las instrucciones para ver lo referente al sistema de protección de la herramienta/la batería.

NOTA: El modo Aumento de torsión no puede utilizarse cuando el cartucho de batería BL1815N o BL1820B está instalado.

Accionamiento del interruptor

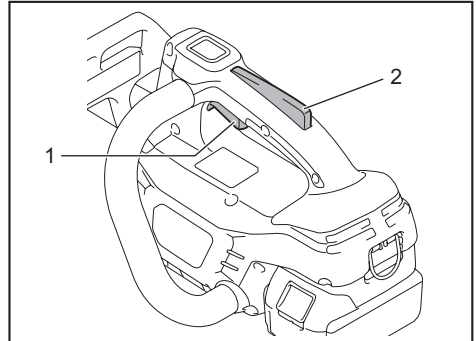
⚠ADVERTENCIA: Por su seguridad, esta herramienta está equipada con una palanca de desbloqueo para prevenir un arranque no intencional de la herramienta. **NUNCA** use la herramienta si se activa simplemente al jalar el gatillo interruptor sin presionar la palanca de desbloqueo. Devuelva la herramienta a nuestro centro de servicio autorizado para que realicen las reparaciones apropiadas **ANTES** de continuar su uso.

⚠ADVERTENCIA: **NUNCA** fije con cinta adhesiva ni impida el funcionamiento ni la finalidad de la palanca de desbloqueo.

⚠PRECAUCIÓN: Antes de insertar el cartucho de batería en la herramienta, compruebe siempre y cerciórese de que el gatillo interruptor se acciona debidamente y que vuelve a la posición "OFF" (apagado) cuando lo suelta.

AVISO: No jale fuerte el gatillo interruptor sin presionar la palanca de desbloqueo. Esto podría dañar el interruptor.

Se proporciona una palanca de desbloqueo para evitar que el gatillo interruptor sea jalado accidentalmente. Para arrancar la herramienta, presione la palanca de desbloqueo y jale el gatillo interruptor. La velocidad de la herramienta aumenta al incrementar la presión en el gatillo interruptor. Para detenerla, suelte el gatillo interruptor.



► 1. Gatillo interruptor 2. Palanca de desbloqueo

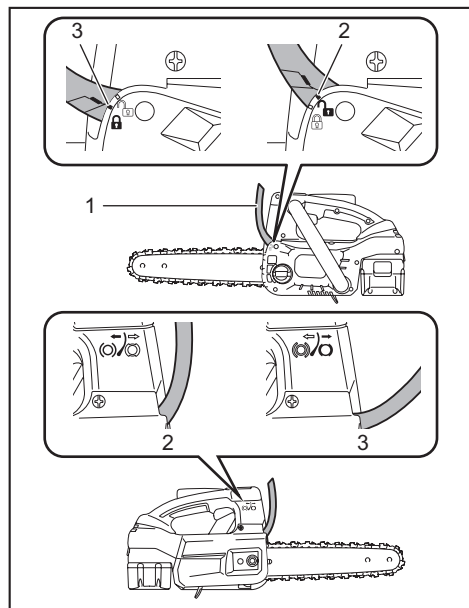
Verificación del freno de la cadena

⚠PRECAUCIÓN: Sujete la sierra eléctrica con ambas manos cuando vaya a encenderla. Sujete el mango superior con su mano derecha y el mango delantero con la izquierda. La barra y la cadena no deberán estar haciendo contacto con ningún objeto.

⚠PRECAUCIÓN: En caso de que la cadena de la sierra no se detenga de inmediato al realizar esta prueba, la sierra no deberá usarse bajo ninguna circunstancia. Consulte a nuestro centro de servicio autorizado.

1. Presione la palanca de desbloqueo y luego jale el gatillo interruptor. La sierra eléctrica arrancará de inmediato.

2. Empuje el protector de mano delantero hacia adelante con el dorso de su mano. Asegúrese de que la sierra eléctrica se detenga de inmediato.



► 1. Protector de mano delantero 2. Posición desbloqueada 3. Posición bloqueada

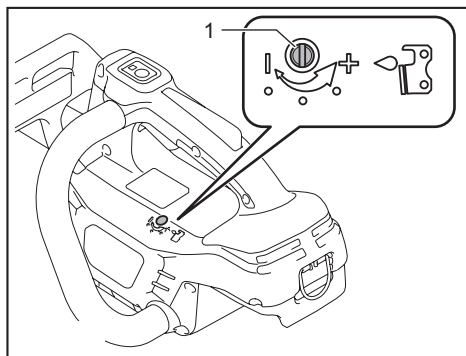
Verificación del freno de retención

⚠ PRECAUCIÓN: Si la cadena de la sierra no se detiene en el lapso de dos segundos durante esta prueba, deje de usar la sierra eléctrica y consulte a nuestro centro de servicio autorizado.

Haga funcionar la sierra eléctrica y luego suelte el gatillo interruptor por completo. La cadena de la sierra deberá detenerse en el lapso de dos segundos.

Ajuste de la lubricación de la cadena

Usted puede ajustar el caudal de alimentación de la bomba de aceite con el tornillo de ajuste usando la llave universal. La cantidad de aceite puede ajustarse en 3 pasos.



► 1. Tornillo de ajuste

Carabina (punto de fijación de la cuerda)

Usted puede colgar la herramienta fijando la cuerda a la carabina. Jale hacia arriba la carabina y luego amárrela con la cuerda.

Funcionamiento electrónico

La herramienta está equipada con funciones electrónicas para facilitar la operación.

- Arranque suave
La función de arranque suave minimiza el impacto de encendido y hace que la herramienta se ponga en marcha suavemente.

MONTAJE

⚠ PRECAUCIÓN: Asegúrese siempre de que la herramienta esté apagada y el cartucho de batería haya sido extraído antes de realizar cualquier trabajo en la misma.

⚠ PRECAUCIÓN: No toque la cadena de la sierra con las manos descubiertas. Siempre use guantes al manipular la cadena de la sierra.

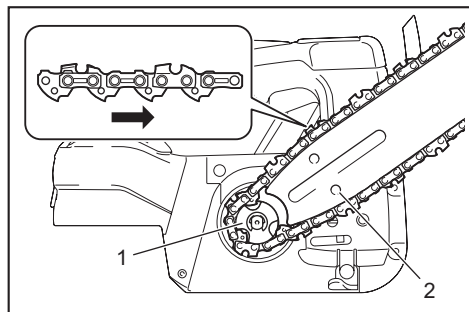
Extracción o instalación de la cadena de la sierra

⚠️ PRECAUCIÓN: La cadena de la sierra y la barra de guía siguen estando calientes justo después de la operación. Permita que se enfrien lo suficiente antes de realizar cualquier trabajo en la herramienta.

⚠️ PRECAUCIÓN: Realice el procedimiento de instalación o extracción de la cadena de la sierra en un lugar limpio, libre de aserrín y residuos similares.

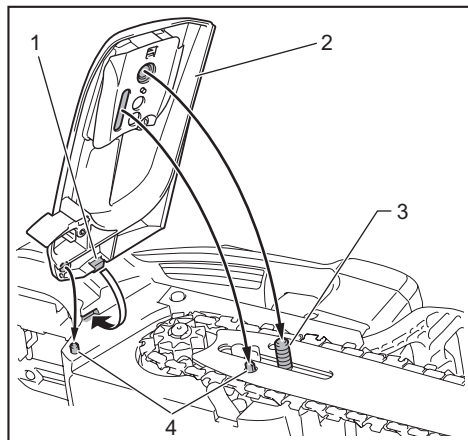
Para instalar la cadena de la sierra, realice los siguientes pasos:

1. Verifique la dirección de la cadena de la sierra. Iguale la dirección de la cadena de la sierra con la de la marca en el cuerpo de la sierra eléctrica.
2. Coloque un extremo de la cadena de la sierra en la punta de la barra de guía.
3. Coloque el otro extremo de la cadena de la sierra alrededor de la pieza dentada, luego fije la barra de guía al cuerpo de la sierra eléctrica, alineando el orificio en la barra de guía con el pasador en el cuerpo de la sierra eléctrica.



- 1. Pieza dentada 2. Orificio

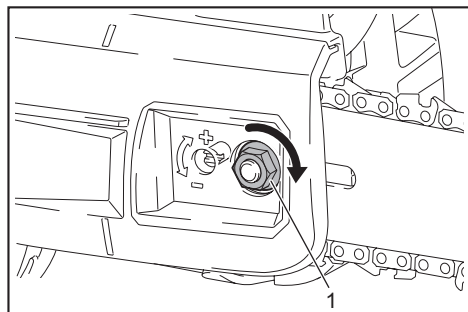
4. Inserte la protuberancia de la cubierta de la pieza dentada en el cuerpo de la sierra eléctrica y luego cierre la cubierta de manera que el perno y los pasadores en el cuerpo de la sierra eléctrica encajen con sus contrapartes en la cubierta.



- 1. Protuberancia 2. Cubierta de la pieza dentada 3. Perno 4. Pasador

5. Apriete la tuerca de retención para asegurar la cubierta de la pieza dentada y luego aflójela un poco para ajustar la tensión.

(Consulte el capítulo "Ajuste de la tensión de la cadena de la sierra" para información sobre el procedimiento).

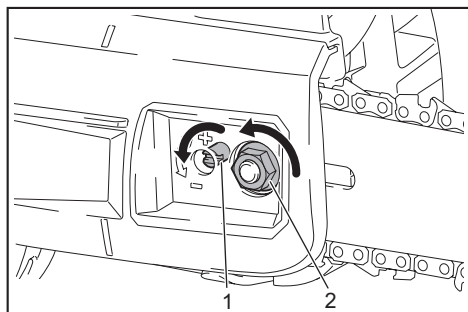


- 1. Tuerca de retención

Para extraer la cadena de la sierra, siga los pasos a continuación:

1. Libere el freno de la cadena jalando el protector de mano delantero.

2. Afloje el tornillo de ajuste de la cadena y luego la tuerca de retención.



1. Tornillo de ajuste de la cadena 2. Tuerca de retención

3. Retire la cubierta de la pieza dentada y luego extraiga la cadena de la sierra y la barra de guía del cuerpo de la sierra eléctrica.

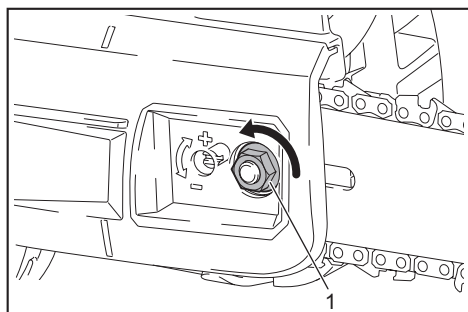
Ajuste de la tensión de la cadena de la sierra

⚠ PRECAUCIÓN: No apriete demasiado la cadena de la sierra. Una tensión excesiva de la cadena de la sierra puede causar que ésta se rompa y que la barra de guía se desgaste.

⚠ PRECAUCIÓN: Una cadena demasiado suelta puede salirse de la barra y ocasionar lesiones por accidentes.

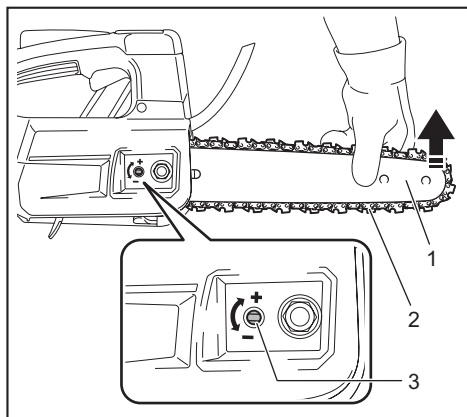
La cadena de la sierra puede aflojarse tras varias horas de uso. De vez en cuando revise la tensión de la cadena de la sierra antes de usarla.

1. Libere el freno de la cadena jalando el protector de mano delantero.
2. Afloje un poco la tuerca de retención para soltar ligeramente la cubierta de la pieza dentada.



1. Tuerca de retención

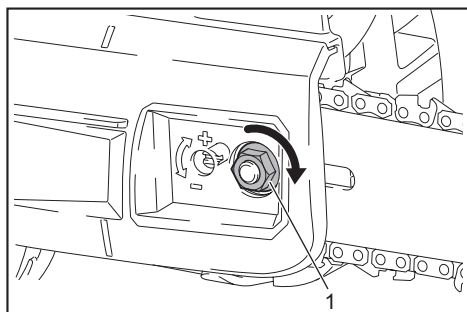
3. Levante ligeramente la punta de la barra de guía y ajuste la tensión de la cadena. Gire el tornillo de ajuste de la cadena en el sentido de las manecillas del reloj para apretar la cadena, y gírelo en sentido inverso al de las manecillas del reloj para aflojar la cadena. Apriete la cadena de la sierra hasta que el lado inferior de la cadena de la sierra embone en el riel de la barra de guía, tal como se muestra en la ilustración.



1. Barra de guía 2. Cadena de la sierra 3. Tornillo de ajuste de la cadena

4. Continúe sosteniendo ligeramente la barra de guía y apriete la cubierta de la pieza dentada. Asegúrese de que la cadena de la sierra no quede floja del lado inferior.

5. Apriete la tuerca de retención para asegurar la cubierta de la pieza dentada.



1. Tuerca de retención

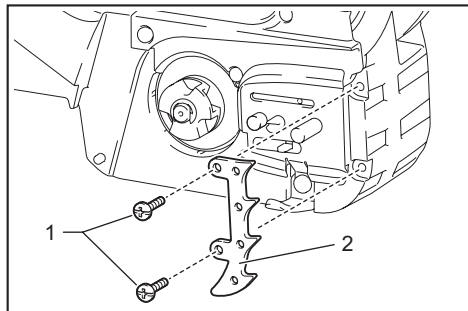
Asegúrese de que la cadena de la sierra quede ajustada contra el lado inferior de la barra.

Tope de picos

Accesorio opcional

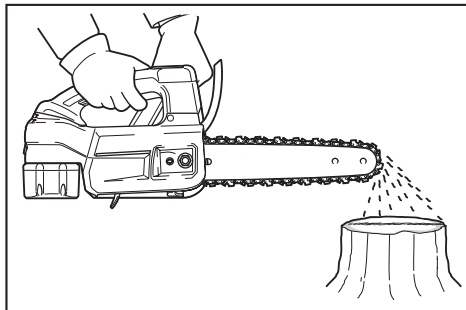
Al cortar ramas gruesas, es recomendable usar el tope de picos. Para instalar el tope de picos, siga los pasos a continuación:

1. Retire la cubierta de la pieza dentada, la cadena de la sierra y la barra de guía.
2. Alinee los orificios del tope de picos con los orificios en el cuerpo de la sierra eléctrica y luego apriete los tornillos firmemente.



- 1. Tornillo 2. Tope de picos

Después del reabastecimiento, sostenga la sierra eléctrica lejos del árbol. Póngala en marcha y espere hasta que la lubricación en la cadena de la sierra sea adecuada.



AVISO: Cuando llene el aceite para la cadena por primera vez, o al reabastecer el tanque después de haberse vaciado por completo, añada el aceite hasta el borde inferior del cuello de la abertura de suministro. De lo contrario, el suministro de aceite podría ser deficiente.

AVISO: Utilice el aceite para la cadena de la sierra exclusivamente para sierras eléctricas Makita o un aceite equivalente disponible en el mercado.

AVISO: Nunca use aceite que tenga polvo y partículas, ni aceite volátil.

AVISO: Cuando pade árboles, use aceite vegetal. El aceite mineral puede dañar los árboles.

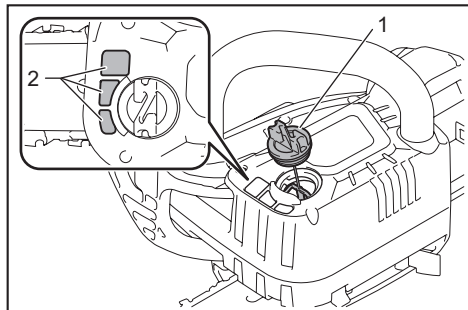
AVISO: Antes de la operación de corte, asegúrese de que la tapa del tanque de aceite provista se encuentre atornillada en su lugar.

OPERACIÓN

Lubricación

La cadena de la sierra se lubrica automáticamente cuando la herramienta está en funcionamiento. Verifique periódicamente la cantidad de aceite restante en el tanque de aceite a través de la ventanilla de inspección de aceite.

Para reabastecer el tanque, coloque la sierra eléctrica sobre su costado y retire la tapa del tanque de aceite. La cantidad correcta de aceite son 140 ml. Después de reabastecer el tanque, asegúrese de que la tapa del tanque de aceite sea apretada firmemente.



- 1. Tapa del tanque de aceite 2. Ventanilla de inspección de aceite

OPERACIÓN DE LA SIERRA ELÉCTRICA

⚠ PRECAUCIÓN: El usuario sin experiencia deberá, como práctica mínima, cortar leña sobre un caballete o base.

⚠ PRECAUCIÓN: Al aserrar madera precortada, utilice un apoyo seguro (como un caballete o base). No utilice su pie para mantener la pieza de trabajo fija, ni permita que alguien más la sostenga o mantenga firme.

⚠ PRECAUCIÓN: Fije las piezas redondas para que no giren.

⚠ PRECAUCIÓN: Mantenga todas las partes del cuerpo alejadas de la cadena de la sierra cuando el motor esté funcionando.

⚠ PRECAUCIÓN: Sostenga la sierra eléctrica firmemente con ambas manos cuando el motor esté en marcha.

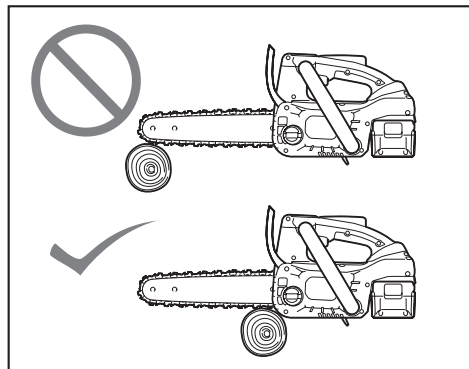
⚠ PRECAUCIÓN: No utilice la herramienta donde no alcance. Pise firmemente y mantenga el equilibrio en todo momento.

AVISO: Nunca tire ni deje caer la herramienta.

AVISO: No cubra las rejillas de ventilación de la herramienta.

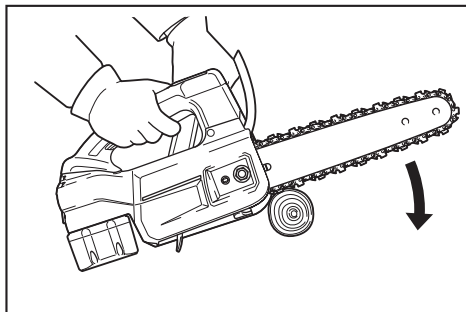
Podado de árboles

Acerque el cuerpo de la sierra eléctrica hasta hacer contacto con la rama que va a cortar antes de encenderla. El no hacerlo podría causar que la barra de guía se tambalee provocando una lesión al operador. Corte la madera en la que va a trabajar simplemente moviendo la sierra eléctrica hacia abajo usando su propio peso.

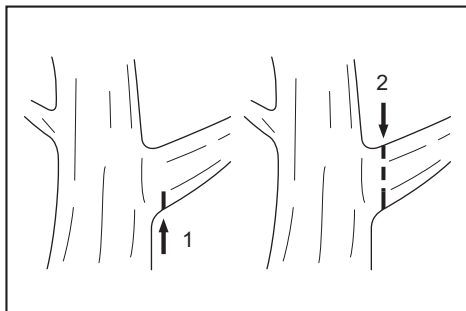


Si no es posible cortar la madera completamente con una sola pasada:

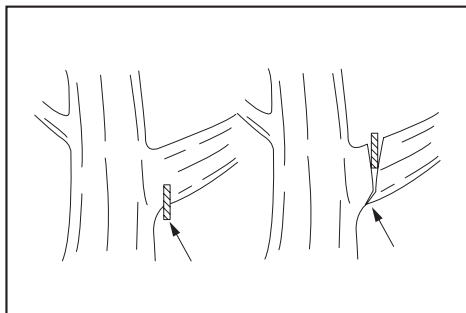
Presione levemente sobre el mango y continúe cortando haciendo retroceder la sierra eléctrica un poco.



Al cortar ramas gruesas, primero haga un corte superficial en la parte inferior de la rama y luego termine el corte por la parte superior.

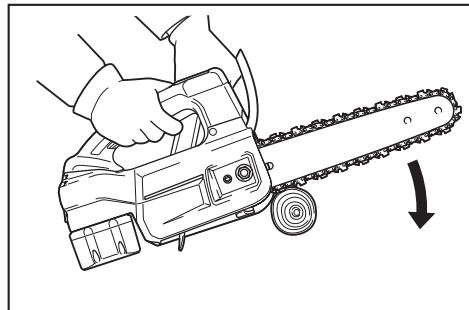


Si intenta cortar ramas gruesas desde su lado inferior, puede que la rama se doble hacia adentro atrapando la cadena de la sierra durante el corte. Si intenta cortar ramas gruesas desde el lado superior sin un corte superficial en el lado inferior, puede que la rama se desgarre.



Aserrado

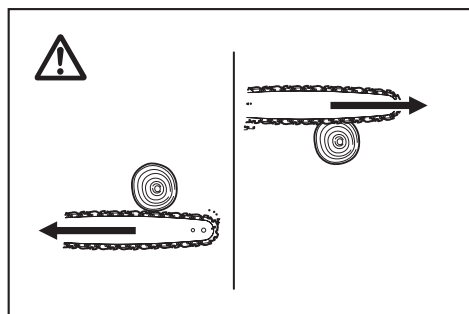
1. Apoye el cuerpo de la sierra eléctrica sobre la madera que va a cortar.



2. Con la cadena de la sierra en marcha, corte la madera usando el mango superior para levantar la sierra y el mango delantero para guiarla.
3. Continúe el corte aplicando una leve presión sobre el mango superior, aliviando ligeramente la parte trasera de la sierra.

AVISO: Cuando realice varios cortes, apague la sierra eléctrica entre corte y corte.

PRECAUCIÓN: Si el borde superior de la barra se usa para el corte, la sierra eléctrica puede desviarse hacia usted si la cadena llega a atascarse. Por esta razón, realice los cortes con el borde inferior de manera que la sierra se desvíe en dirección opuesta a su cuerpo.



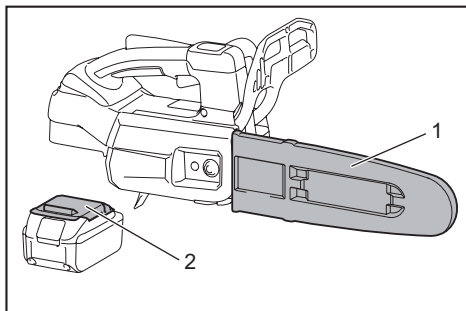
Desmembrado

PRECAUCIÓN: El desmembrado solo deberá ser realizado por personas capacitadas. Puede presentarse algún peligro debido al riesgo de un retroceso brusco.

Al desmembrar, apoye la sierra eléctrica sobre el tronco de ser posible. No realice cortes con la punta de la barra, ya que esto representa riesgo de un retroceso brusco. Ponga especial atención a las ramas que estén tensionadas. No corte ramas que no estén apoyadas por debajo. No se pare sobre el tronco talado al estar desmembrando.

Transporte de la herramienta

Antes de transportar la herramienta, accione siempre el freno de la cadena y retire los cartuchos de batería de la herramienta. Luego instale la cubierta de la barra de guía. Asimismo, cubra el cartucho de batería con la cubierta de la batería.



- 1. Cubierta de la barra de guía 2. Cubierta de la batería

MANTENIMIENTO

PRECAUCIÓN: Asegúrese siempre de que la herramienta esté apagada y el cartucho de batería extraído antes de intentar realizar una inspección o mantenimiento.

PRECAUCIÓN: Siempre use guantes cuando realice cualquier trabajo de inspección o mantenimiento.

AVISO: Nunca use gasolina, bencina, diluyente (tiner), alcohol o sustancias similares. Puede que esto ocasione grietas o decoloramiento.

Para mantener la SEGURIDAD y FIABILIDAD del producto, las reparaciones, y cualquier otra tarea de mantenimiento o ajuste deberán ser realizadas en centros de servicio autorizados o de fábrica Makita, empleando siempre repuestos Makita.

Afilado de la cadena de la sierra

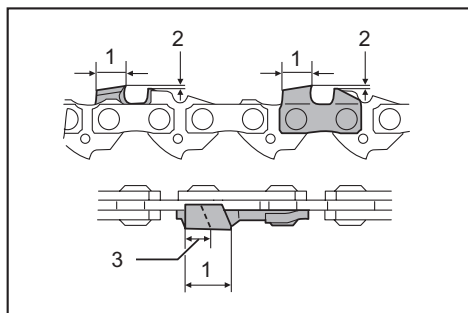
Afile la cadena de la sierra cuando:

- Se produzca aserrín con consistencia harinosa al cortar madera húmeda;
- La sierra penetre la madera con dificultad, incluso al aplicar una gran presión;
- El borde de corte esté evidentemente dañado;
- La sierra se desvíe hacia la izquierda o la derecha en la madera. (a causa de un afilado no uniforme de la cadena de la sierra o daño en sólo uno de los lados)

Afile la cadena de la sierra con frecuencia pero sólo un poco cada vez. Por lo general sólo dos o tres pasadas con una lima son suficientes para un reafilado de rutina. Cuando la cadena de la sierra haya sido reafilada varias veces, llévala a afilar a nuestro centro de servicio autorizado.

Criterios de afilado:

⚠ ADVERTENCIA: Una distancia excesiva entre el borde de corte y el calibrador de profundidad aumenta el riesgo de un retroceso brusco.

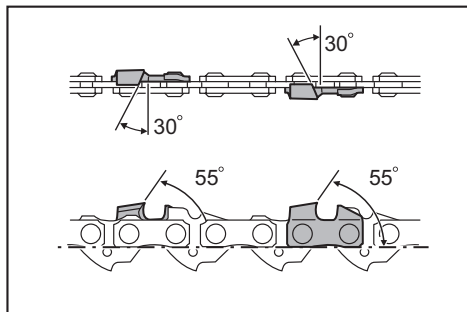


- **1.** Longitud de la parte cortadora **2.** Distancia entre el borde de corte y el calibrador de profundidad **3.** Longitud mínima de la parte cortadora (3 mm (1/8"))

- Todas las partes cortadoras deberán tener la misma longitud. El que las partes cortadoras tengan diferentes longitudes impide que la cadena de la sierra se accione fácilmente y puede ocasionar que ésta se rompa.
- No afile la cadena cuando la longitud de la parte cortadora haya alcanzado 3 mm (1/8") o menos. La cadena deberá ser reemplazada con una nueva.
- El grosor de las virutas es determinado por la distancia entre el calibrador de profundidad (nariz redonda) y el borde de corte.

- Los mejores resultados de corte se obtienen con la distancia siguiente entre el borde de corte y el calibrador de profundidad.

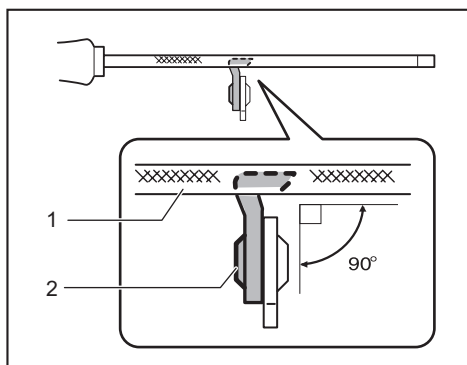
- Cuchilla de la cadena 90PX: 0,65 mm (0,025")



- El ángulo de afilado de 30° deberá ser el mismo en todas las partes cortadoras. Las diferencias de ángulos en las partes cortadoras causan que la cadena corra de forma brusca e irregular, acelera el desgaste y provocan la rotura de la cadena.
- Utilice una lima redonda adecuada de manera que el ángulo de afilado correcto se mantenga contra el diente.
 - Cuchilla de la cadena 90PX: 55°

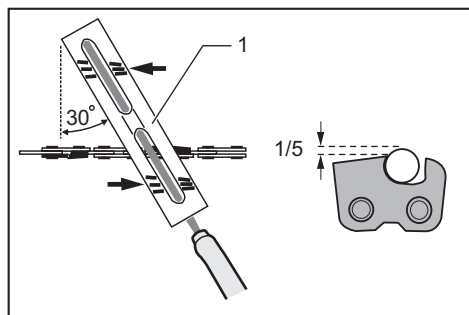
Lima y guiado del limado

- Use una lima redonda especial (accesorio opcional) para cadenas de la sierra para afilar la cadena. Las limas redondas comunes no son apropiadas.
- El diámetro de la lima redonda para cada cadena de la sierra es:
 - Cuchilla de la cadena 90PX: 4,5 mm (3/16")
- La lima sólo deberá embonar en la parte cortadora en la pasada hacia adelante. Levante la lima para alejarla de la parte cortadora en la pasada de regreso.
- Afile la parte cortadora más pequeña primero. Después la longitud de esta parte más pequeña se volverá el estándar para todas las demás partes cortadoras en la cadena de la sierra.
- Guíe la lima tal como se muestra en la ilustración.



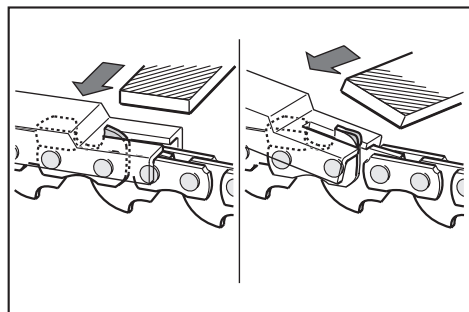
- **1.** Lima **2.** Cadena de la sierra

- La lima puede guiarse más fácilmente si se emplea un sujetador de limas (accesorio opcional). El sujetador de limas cuenta con marcas para el ángulo de afilado correcto de 30° (alinee las marcas paralelas a la cadena de la sierra) y limita la profundidad de penetración (a 4/5 del diámetro de la lima).



► **1. Sujetador de limas**

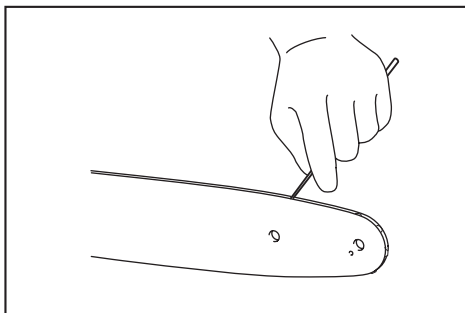
- Tras el afilado de la cadena, verifique la altura del calibrador de profundidad usando la herramienta de calibración de la cadena (accesorio opcional).



- Elimine cualquier material protuberante, independiente de cuán pequeño sea, con una lima plana especial (accesorio opcional).
- Redondee la parte delantera del calibrador de profundidad de nuevo.

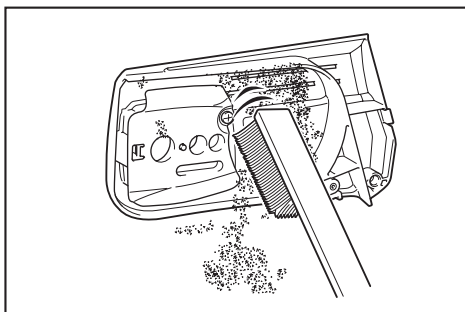
Limpeza de la barra de guía

En la ranura de la barra de guía se acumularán astillas y aserrín. Éstas pueden obstruir la ranura de la barra y afectar el flujo de aceite. Limpie las astillas y el aserrín cada vez que afile o reemplace la cadena de la sierra.



Limpeza de la cubierta de la pieza dentada

En el interior de la cubierta de la pieza dentada se acumularán astillas y aserrín. Retire la cubierta de la pieza dentada y la cadena de la sierra de la herramienta y luego limpie las astillas y el aserrín.

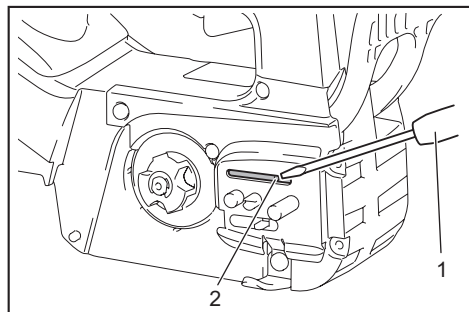


Limpeza del orificio de descarga de aceite

En el orificio de descarga de aceite se pueden acumular polvo y pequeñas partículas durante la operación. Este polvo o partículas pueden afectar el flujo de aceite y causar una lubricación insuficiente en toda la cadena de la sierra. Cuando haya un suministro deficiente de aceite en la parte superior de la barra de guía, limpie el orificio de descarga de aceite como se indica a continuación.

1. Retire la cubierta de la pieza dentada y la cadena de la sierra de la herramienta.

2. Elimine polvo y partículas de tamaño pequeño usando un destornillador plano o similar.



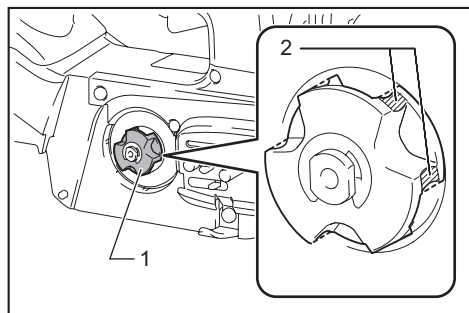
- 1. Destornillador plano 2. Orificio de descarga de aceite

3. Inserte el cartucho de batería en la herramienta. Jale el gatillo interruptor para eliminar la acumulación de polvo o partículas del orificio de descarga de aceite descargando el aceite de la cadena.
4. Retire el cartucho de batería de la herramienta. Reinstale la cubierta de la pieza dentada y la cadena de la sierra en la herramienta.

Reemplazo de la pieza dentada

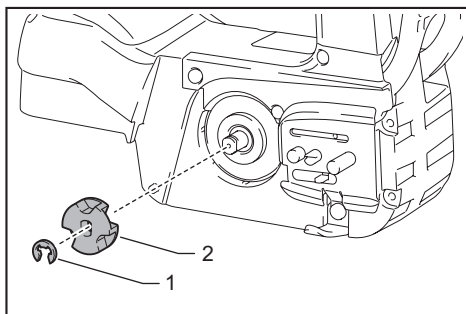
⚠PRECAUCIÓN: Una pieza dentada desgastada dañará una cadena nueva de la sierra. En este caso, reemplace la pieza dentada.

Antes de instalar una nueva cadena de la sierra, verifique la condición de la pieza dentada.



- 1. Pieza dentada 2. Áreas a desgastarse

Instale siempre un anillo de bloqueo nuevo cuando reemplace la pieza dentada.



- 1. Anillo de bloqueo 2. Pieza dentada

AVISO: Asegúrese de que la pieza dentada sea instalada tal como se muestra en la ilustración.

Almacenamiento de la herramienta

1. Limpie la herramienta antes de almacenarla. Retire cualquier astilla y aserrín de la herramienta después de quitar la cubierta de la pieza dentada.
2. Después de limpiar la herramienta, hágala funcionar sin carga para lubricar la cadena de la sierra y la barra de guía.
3. Cubra la barra de guía con la cubierta de la barra de guía.
4. Vacíe el tanque de aceite.

Instrucciones para el mantenimiento periódico

Para asegurar una vida útil prolongada, prevenga el daño y asegure un funcionamiento total de las funciones de seguridad, efectuando el siguiente programa de mantenimiento de forma periódica. Las reclamaciones de garantía podrán ser reconocidas solamente si este programa de mantenimiento es realizado periódicamente y como corresponde. ¡El no seguir el programa de mantenimiento indicado puede provocar accidentes! El usuario de la sierra eléctrica no deberá realizar ningún trabajo de mantenimiento que no esté descrito en el manual de instrucciones. Todo este tipo de trabajo deberá ser realizado por nuestro centro de servicio autorizado.

Elemento a revisar / Tiempo de operación		Antes de la operación	Diariamente	Semanalmente	Cada 3 meses	Anualmente	Antes del almacenamiento
Sierra eléctrica	Inspección.	✓	-	-	-	-	-
	Limpieza.	-	✓	-	-	-	-
	Inspección en el centro de servicio autorizado.	-	-	-	-	✓	✓
Cadena de la sierra	Inspección.	✓	-	-	-	-	-
	Afilamiento en caso necesario.	-	-	-	-	-	✓
Barra de guía	Inspección.	✓	✓	-	-	-	-
	Retirar de la sierra eléctrica.	-	-	-	-	-	✓
Freno de la cadena	Revisar el funcionamiento.	✓	-	-	-	-	-
	Hacer que lo inspeccionen regularmente en el centro de servicio autorizado.	-	-	-	✓	-	-
Lubricación de la cadena	Revisar el caudal de alimentación de aceite.	✓	-	-	-	-	-
Gatillo interruptor	Inspección.	✓	-	-	-	-	-
Palanca de desbloqueo	Inspección.	✓	-	-	-	-	-
Tapa del tanque de aceite	Revisar que esté bien apretado.	✓	-	-	-	-	-
Receptor de la cadena	Inspección.	-	-	✓	-	-	-
Tornillos y tuercas	Inspección.	-	-	✓	-	-	-

RESOLUCIÓN DE PROBLEMAS

Antes de solicitar alguna reparación, primero realice una inspección por su cuenta. Si detecta algún problema que no esté explicado en el manual, no intente desensamblar la herramienta. En vez de esto, solicite la reparación a un centro de servicio autorizado de Makita, usando siempre piezas de repuesto Makita.

Estado de la avería	Causa	Solución
La sierra eléctrica no arranca.	El cartucho de batería no está instalado.	Instale un cartucho de batería cargado.
	Problema con la batería (bajo voltaje).	Recargue los cartuchos de batería. Si la recarga no resulta eficaz, reemplace el cartucho de batería.
	El interruptor de alimentación principal está apagado.	La sierra eléctrica se apagará automáticamente si ésta no es operada durante un período determinado. Encienda el interruptor de alimentación principal nuevamente.
La cadena de la sierra no funciona.	El freno de la cadena está activado.	Libere el freno de la cadena.
El motor deja de funcionar al poco tiempo de uso.	El nivel de carga de la batería es bajo.	Recargue los cartuchos de batería. Si la recarga no resulta eficaz, reemplace el cartucho de batería.
La cadena no tiene aceite.	El tanque de aceite está vacío.	Llene el tanque de aceite.
	La ranura de la guía de aceite está sucia.	Limpie la ranura.
	Suministro de aceite deficiente.	Ajuste la cantidad de suministro de aceite con el tornillo de ajuste.
La sierra eléctrica no alcanza el nivel máximo de RPM.	El cartucho de batería está instalado incorrectamente.	Instale los cartuchos de batería tal como se describe en este manual.
	La potencia de la batería está disminuyendo.	Recargue el cartucho de batería. Si la recarga no resulta eficaz, reemplace el cartucho de batería.
	El sistema de accionamiento no funciona correctamente.	Solicite la reparación en el centro de servicio autorizado de su región.
La lámpara de alimentación principal está parpadeando en verde.	El gatillo interruptor es jalado bajo una condición inoperable.	Jale el gatillo interruptor una vez que el interruptor de alimentación principal se haya encendido y el freno de la cadena se haya liberado.
La cadena no se detiene aun cuando el freno de la cadena ha sido activado: ¡Detenga la máquina de inmediato!	La banda del freno está desgastada.	Solicite la reparación en el centro de servicio autorizado de su región.

Estado de la avería	Causa	Solución
Vibración anormal: ¡Detenga la máquina de inmediato!	La barra de guía o la cadena de la sierra están sueltas.	Ajuste la barra de guía o la tensión de la cadena de la sierra.
	Avería de la herramienta.	Solicite la reparación en el centro de servicio autorizado de su región.
El modo Aumento de torsión no está disponible después de reemplazar el cartucho de batería con uno completamente cargado.	Dependiendo de las condiciones de uso, el modo Aumento de torsión no está disponible después de reemplazar el cartucho de batería.	Utilice la herramienta en el modo normal hasta que el cartucho de batería instalado se agote y luego reemplace el cartucho de batería con uno completamente cargado, o recargue el cartucho de batería.
La cadena de la sierra no puede instalarse.	La combinación de cadena de la sierra y la pieza dentada no es correcta.	Utilice la combinación correcta de cadena de la sierra y la pieza dentada; consulte la sección de especificaciones.

ACCESORIOS OPCIONALES

⚠PRECAUCIÓN: Estos accesorios o aditamentos están recomendados para utilizarse con su herramienta Makita especificada en este manual. El empleo de cualquier otro accesorio o aditamento puede conllevar el riesgo de lesiones personales. Utilice los accesorios o aditamentos solamente para su fin establecido.

Si necesita cualquier ayuda para más detalles en relación con estos accesorios, pregunte a su centro de servicio local Makita.

- Cadena de la sierra
- Barra de guía
- Cubierta de la barra de guía
- Pieza dentada
- Tope de picos
- Lima
- Bolsa de herramientas
- Batería y cargador originales de Makita

⚠ADVERTENCIA: Si usted adquiere una barra de guía de una longitud distinta a la de la barra de guía estándar, también adquiera junto con ésta una cubierta de la barra de guía adecuada. Ésta debe quedarle y cubrir completamente a la barra de guía en la sierra eléctrica.

NOTA: Algunos de los artículos en la lista pueden incluirse en el paquete de la herramienta como accesorios estándar. Éstos pueden variar de país a país.

GARANTÍA LIMITADA DE MAKITA

Ésta Garantía no aplica para México

Consulte la hoja de la garantía anexa para ver los términos más vigentes de la garantía aplicable a este producto. En caso de no disponer de esta hoja de garantía anexa, consulte los detalles sobre la garantía descritos en el sitio web de su país respectivo indicado a continuación.

Estados Unidos de América: www.makitatools.com

Canadá: www.makita.ca

Otros países: www.makita.com

< USA only >

WARNING

Some dust created by power sanding, sawing, grinding, drilling, and other construction activities contains chemicals known to the State of California to cause cancer, birth defects or other reproductive harm. Some examples of these chemicals are:

- lead from lead-based paints,
- crystalline silica from bricks and cement and other masonry products, and
- arsenic and chromium from chemically-treated lumber.

Your risk from these exposures varies, depending on how often you do this type of work. To reduce your exposure to these chemicals: work in a well ventilated area, and work with approved safety equipment, such as those dust masks that are specially designed to filter out microscopic particles.

< Sólo en los Estados Unidos >

ADVERTENCIA

Algunos polvos creados por el lijado, aserrado, esmerilado, taladrado y otras actividades de la construcción contienen sustancias químicas reconocidas por el Estado de California como causantes de cáncer, defectos de nacimiento y otros peligros de reproducción. Algunos ejemplos de estos productos químicos son:

- plomo de pinturas a base de plomo,
- sílice cristalino de ladrillos y cemento y otros productos de albañilería, y
- arsénico y cromo de maderas tratadas químicamente.

El riesgo al que se expone varía, dependiendo de la frecuencia con la que realice este tipo de trabajo. Para reducir la exposición a estos productos químicos: trabaje en un área bien ventilada y póngase el equipo de seguridad indicado, tal como las máscaras contra polvo que están especialmente diseñadas para filtrar partículas microscópicas.

Makita Corporation

3-11-8, Sumiyoshi-cho,
Anjo, Aichi 446-8502 Japan

www.makita.com

885630-880
XCU05-4
EN, ESMX
20210514