


GAMA SONIC[®]

SOLAR LIGHTING



SOLAR FLOOD LIGHT

Model: GS-203, GS-203-WW

 Please read the instruction manual carefully to obtain the best results from your purchase.

Thank you for your purchase. GAMA SONIC® solar charged lighting eliminates the problems associated with most solar lighting available today. GAMA SONIC® solar charged lights are brighter and last all night with a typical solar charge. Unique design, superior light output and numerous installation options confirm the outstanding value of our product.

GAMA SONIC® has been recognized as a worldwide leader in the lighting industry for over 20 years. The company also offers unique products from multi-purpose solar lamps to emergency lighting products.

**For technical assistance and more information call our Toll-Free number:
800-835-4113 (only within the US)**

Or

**visit our website or download the latest version of your instruction manual:
www.gamasonic.com Or www.gamasonic.com/user-guides**

Solar Lamp Location:

For optimum light duration throughout the night, it is very important to mount your solar panel in a spot where it receives maximum amount of direct sunlight throughout the day. The solar light must be charged in full sun for two days in the "ON" position for the best results.

Assembly instructions:

Solar Light & Solar Panel Assembly - GS-203 PARTS



A



B



C



D



E



F



G



H



I



J

Our GS-203 model boasts multiple installation options. These instructions will explain how to assemble the different pieces to each other. Please use this as a guide and choose the mounting option/combination that works best for your situation.

Step 1. Mounting Bases to lamp and/or solar panel

This product comes with two stake mounts (Part D) and one flat mount (part E). Choose the one(s) that fit best for your desired mounting location.



1. Part A can be attached to Part F (**Fig. 1**) or G (**Fig. 2**) by sliding the tapered end of the wedge into the groove at the bottom of the lamp or solar panel. **NOTE:** Push the part into the groove firmly so it does not easily slide out and tighten set screw.
2. Attach Part A to Part D or E (**Fig. 3**) and secure by screwing Part H clockwise into the threaded section.
3. You can adjust the angle of the completed assembly by loosening the screw (Part H) and tilting the product to the desired angle. Re-tighten Part H to secure product in the new position.
4. If you plan to attach one of the mounting bases to both the lamp and solar panel, repeat steps 1-3 to have a mount for each of Part F and G.
5. If using Part E, drill two holes into your mounting location using the base as a template. Secure the base using the hardware in the package (Part J).
6. If using Part D, firmly insert the stake into the ground of the desired location.

continue 

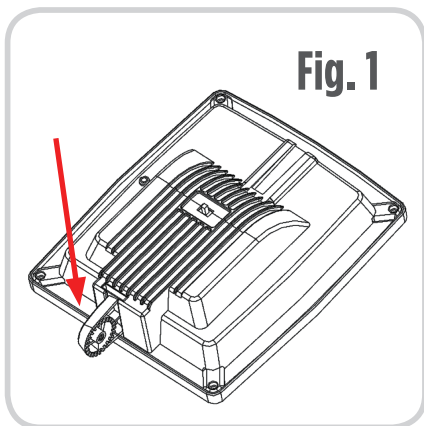


Fig. 1

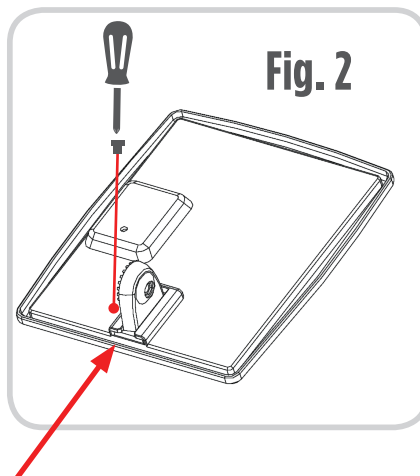


Fig. 2

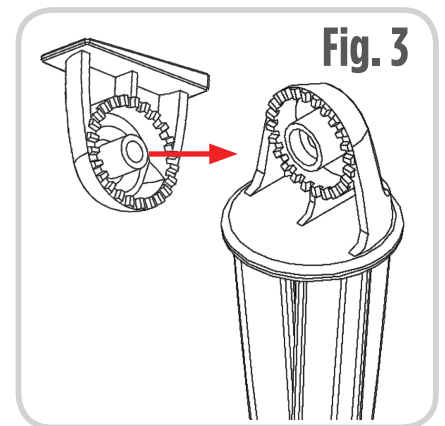
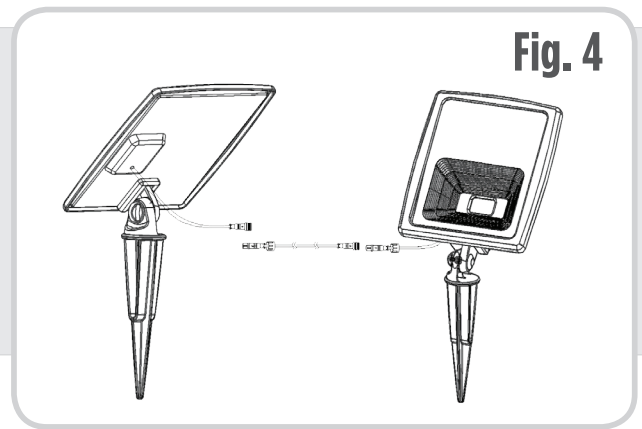


Fig. 3

7. Connect the solar panel and the lamp head cords together and secure using the screw connector. An extension cord is included and can be used to mount the solar panel further away from the lamp. **(Fig. 4)**



Step 2. Mounting Solar Panel to Lamp

This product has the option of mounting the solar panel directly to the lamp in either a forward or rear facing direction. Please follow the below steps if you desire the panel to be attached to the lamp.

1. Mounting with solar panel facing the same direction as the lamp.



- Insert Part C into the groove at the bottom of Part F with the tapered end of the wedge going into the panel **(Fig. 5 & Fig. 6)**. NOTE: Push the part into the groove firmly so it does not easily slide out and tighten set screw.
- Attach Part B to Part C **(Fig. 7)** and secure with screw cap (Part H).
- Insert Part B into the groove at the top of Part G **(Fig. 8)** with the tapered end of the wedge going into the lamp. NOTE: Push the part into the groove firmly so it does not easily slide out.
- You can adjust the angle of the completed assembly by loosening the screw (Part H) and tilting the product to the desired angle. Retighten Part H to secure product in the new position.
- Connect the solar panel and the lamp head cords together and secure using the screw connector. **(Fig. 8)**

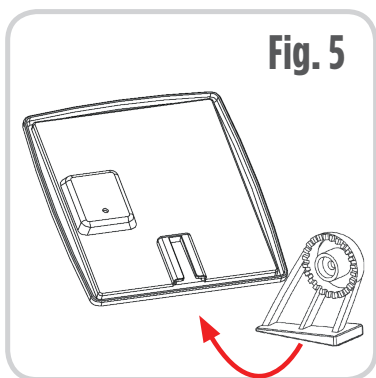


Fig. 5

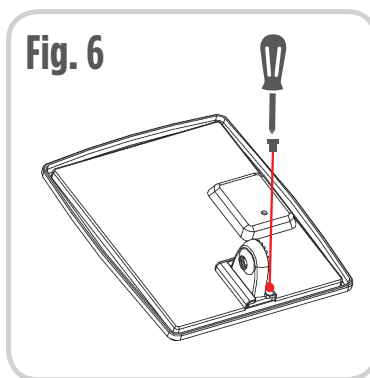


Fig. 6

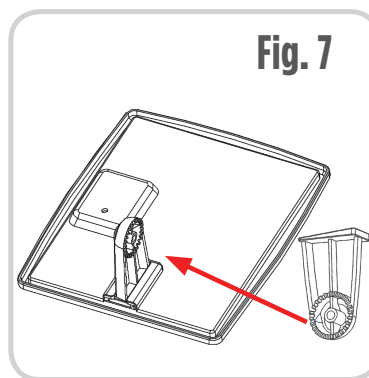


Fig. 7

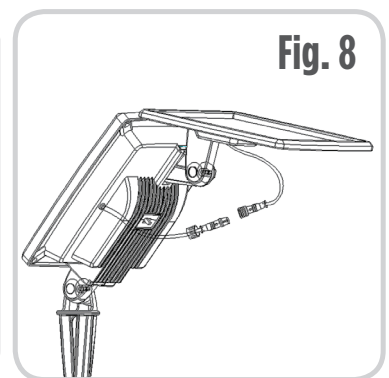


Fig. 8

2. Mounting with solar panel facing the opposite direction as the lamp.



- Insert Part A into the groove at the bottom of Part F with the tapered end of the wedge going into the lamp (**Fig.9**). **NOTE:** Push the part into the groove firmly so it does not easily slide out. (**Fig.10**)
- Attach Part A to Part C and secure with screw cap (Part H). (**Fig. 11**)
- Insert Part C into the groove at the top of Part G with the tapered end of the wedge going into the panel (**Fig. 8**). **NOTE:** Push the part into the groove firmly so it does not easily slide out.
- You can adjust the angle of the completed assembly by loosening the screw (Part H) and tilting the product to the desired angle. Retighten Part H to secure product in the new position.
- Connect the solar panel and the lamp head cords together and secure using the screw connector. (**Fig. 11**)

Fig. 9

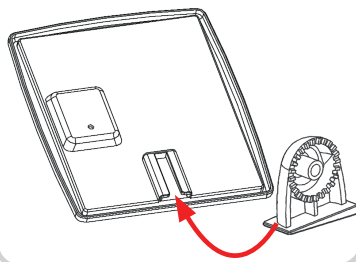


Fig. 10

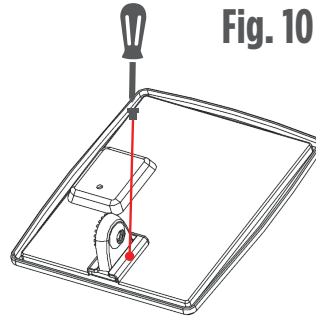
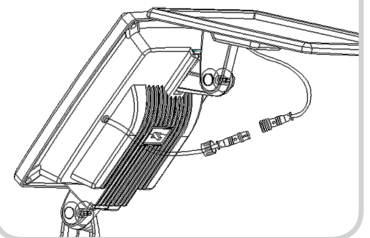


Fig. 11



Operation Instructions

- Connect the wire from the solar panel to the lamp and secure with the threaded cap on the wire. **NOTE:** an extension cable is included (Part I) for use when the solar panel is mounted separately from the lamp.
- Turn the external operation switch to the **Low or High position** (Fig 12). according to your preferences:
 - Low:** For softer light and longer duration.
 - High:** For brighter light output and shorter duration.
- The solar lamp will automatically operate at dusk.

Operation Switch



Fig. 12

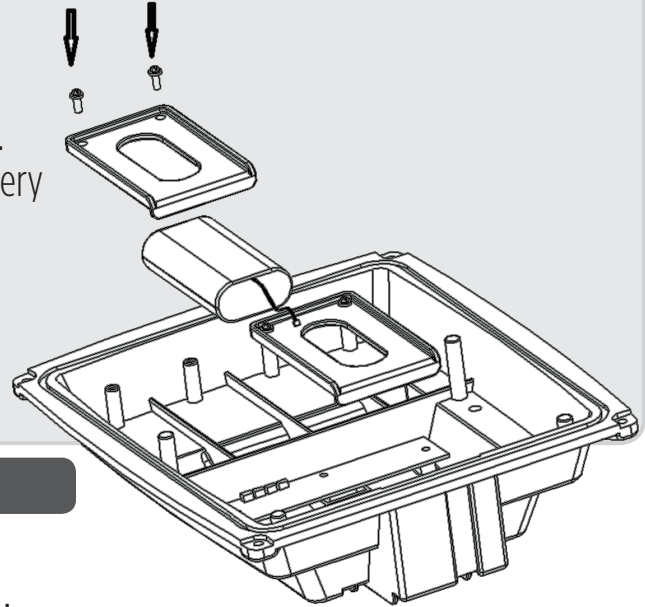


Replacing the Batteries

Replacement batteries are available
at www.gamasonic.com or via our Toll free number: +1-800-835-4113

After several years of use, the battery may need replacing.

1. Make sure the ON/OFF switch is in the “OFF” position (0). **(Fig. 12)**
2. Unclip the battery connectors and remove the old batteries. Make sure the new batteries are high quality – 2 Li-Ion Battery packs (3.7 Volt /4,000 mAh) with matching connector.
3. Install the new batteries into the battery compartment. **(Fig. 13)**
4. Reassemble the unit by reversing the above procedure.



MAINTENANCE

Clean the solar module regularly with a damp towel to guarantee optimum performance of the solar panel. Do not use any type of solvent for cleaning and be careful not to put too much pressure on the module while cleaning.

TROUBLESHOOTING

If your solar charged light does not come on at dusk despite observance of all the instructions, please try the following steps:

1. Make sure that the solar light is not being affected by any other light source.
2. Ensure the solar light is not positioned in the shade during the day.
3. Make sure the switch in the lamp head is in NOT on the “OFF” position.
4. Check that the batteries are installed correctly.
5. Check that the GS Solar LED Light Bulb is installed correctly.

NOTE: The performance of the solar light will vary with the time of year. It will deliver more light when it has had a full day in the sun rather than a day in overcast weather.



WINTERTIME TIPS: For optimal performance, be sure to remove any snow or debris accumulation from solar panel(s). A solar panel free of debris will charge the batteries much more efficiently.

WARNING: Please keep out of reach of children.



WARNING: Please keep out of reach of children. Do not dispose of Li-Ion battery in the regular trash, municipal waste stream or by fire as batteries may leak or explode. Do not open, short circuit, or mutilate batteries as injury may occur. Preserve our environment by recycling Li-Ion batteries or disposing of them in accordance with local, state and federal regulations. Do not mix old and new batteries.