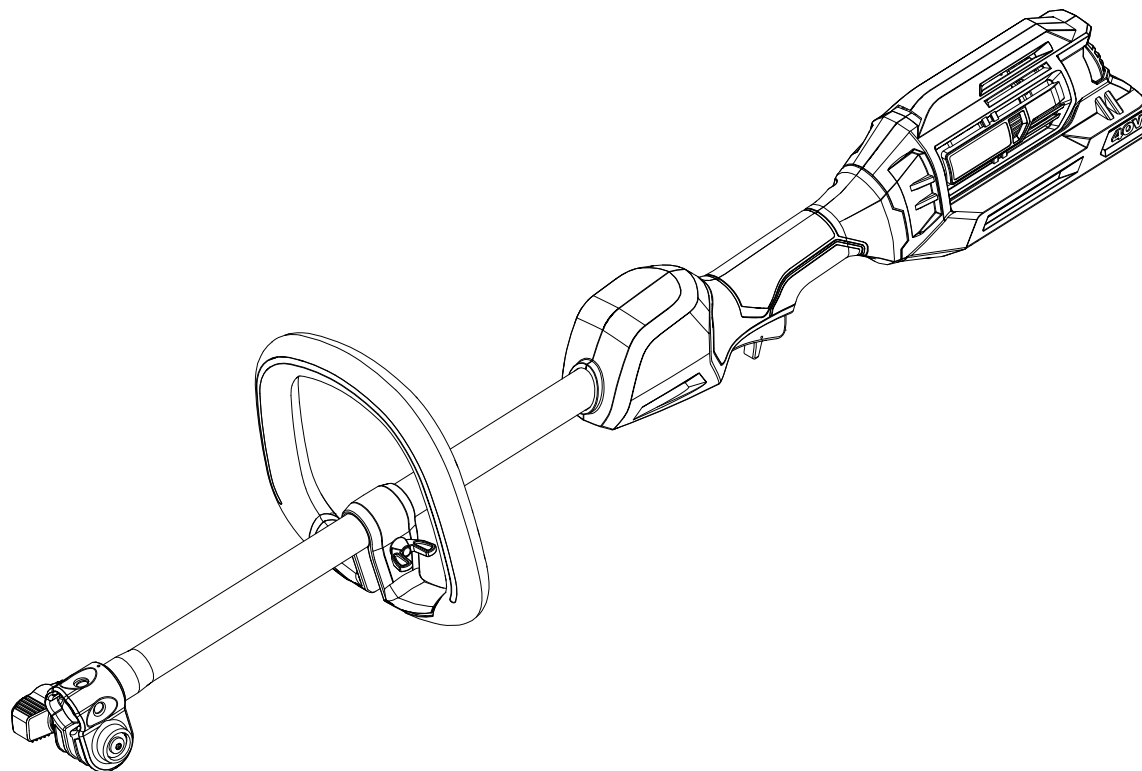


REPAIR SHEET

BRAND RYOBI		DESCRIPTION 40 Volt Power Head
MODEL NO. RY40006VNM	MFG. NO. 314778102	

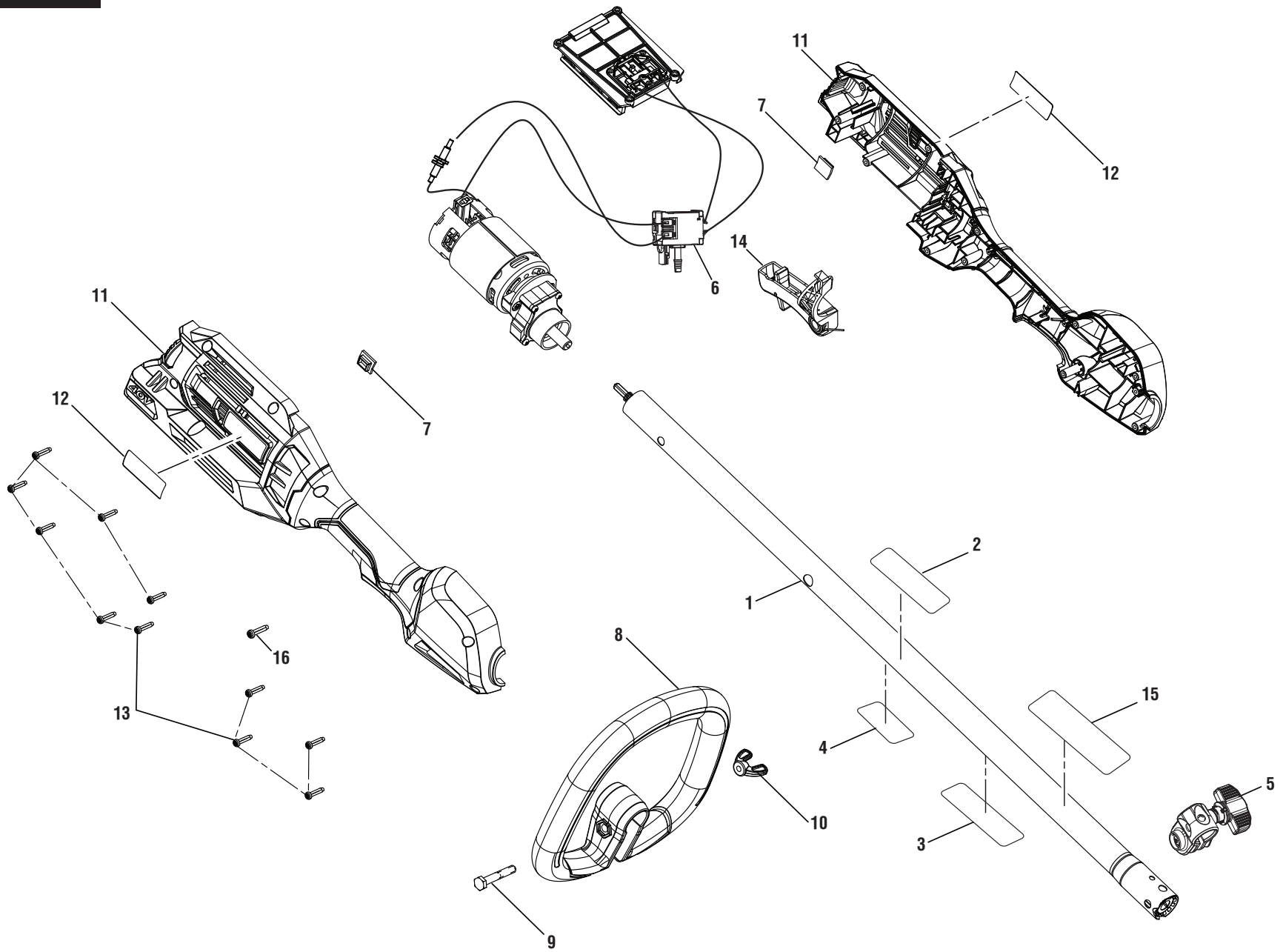


TECHTRONIC INDUSTRIES POWER EQUIPMENT

P.O. Box 1288, Anderson, SC 29622 ■ 1-800-525-2579 ■ www.ryobitools.com

11-17-20 (Rev:01)

The model number and manufacturing location will be found on a label attached to the product. Always mention this information in all communications regarding this product and when ordering parts.



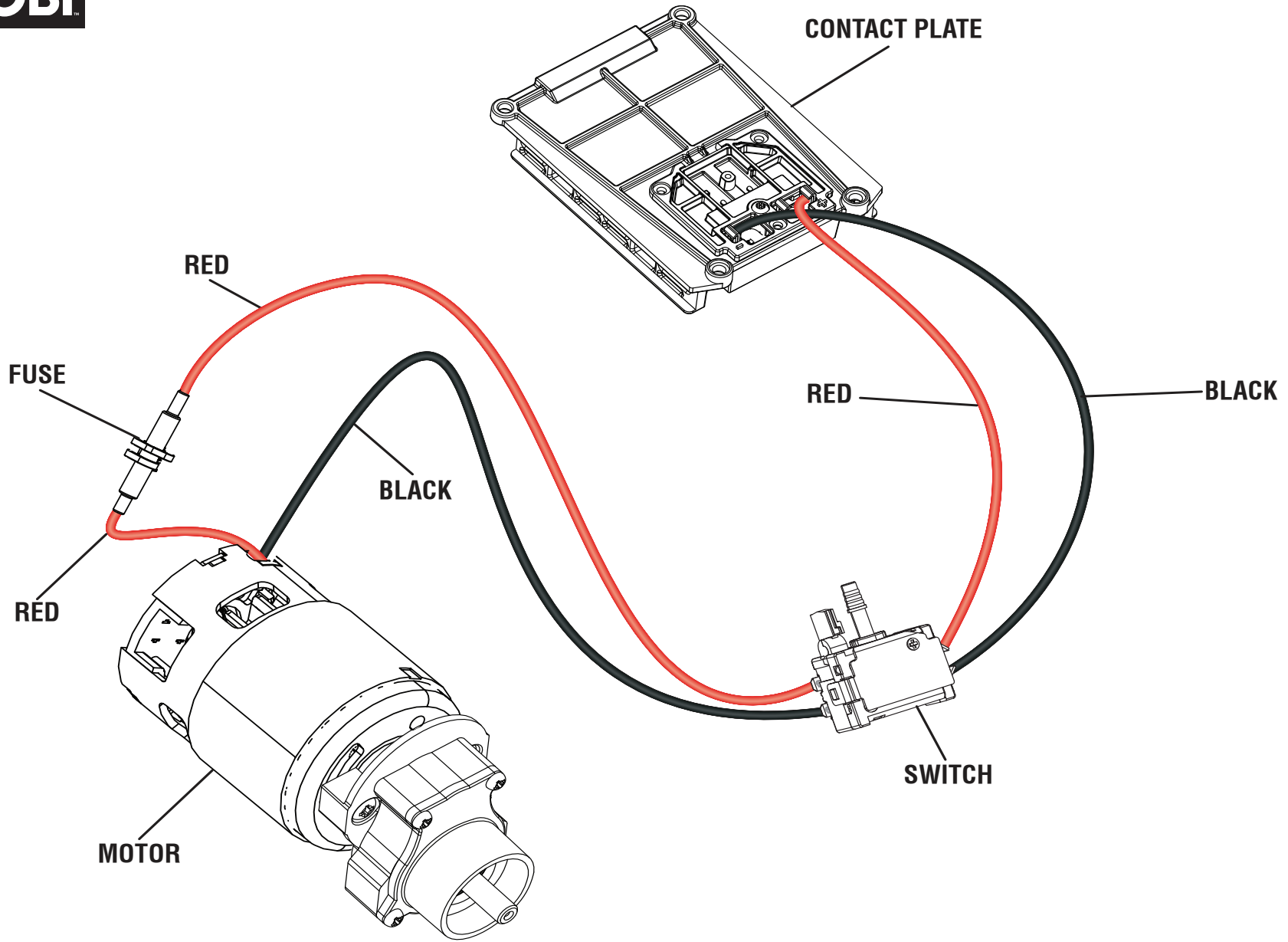


RY40006VNM

PARTS LIST

KEY NO.	PART NO.	DESCRIPTION	QTY.
1	317463001	Boom Assembly (Inc. Key Nos. 2-4 & 15)	1
2	941013004	Warning Icon Label	1
3	941013005	Warning Label (French/Spanish)	1
4	941588686	Data Label	1
5	315386001	Boom Clamp Assembly	1
6	317464001	Motor, Gear Box, Switch & Contact Plate Assembly	1
7	570115001	Rubber Plate	2
8	308991003	Front Handle Assembly (Inc. Key Nos. 9-10)	1
9	660643008	Screw (1/4-20 x 40 mm, Hex Hd.)	1

KEY NO.	PART NO.	DESCRIPTION	QTY.
10	518949001	Wing Nut (1/4-20)	1
11	314830001	Rear Handle Assembly (Inc. Key No. 12)	1
12	940705432	Logo Label	2
13	661864007	Screw (M4 x 18 mm, T15 Torx Pan Hd.)	11
14	314833001	Switch Trigger Assembly	1
15	941851150	Attachment Label	1
16	660031017	Screw (M3.5 x 16 mm, T10 Torx Pan Hd.)	1
	Not Shown:		
	995000659	Operator's Manual	



WIRING DIAGRAM

RYOBI
Trimmer Attachment
Item No. RY15523A/RY15523AVNM
Model No. 313351003/313284101
Repair Sheet

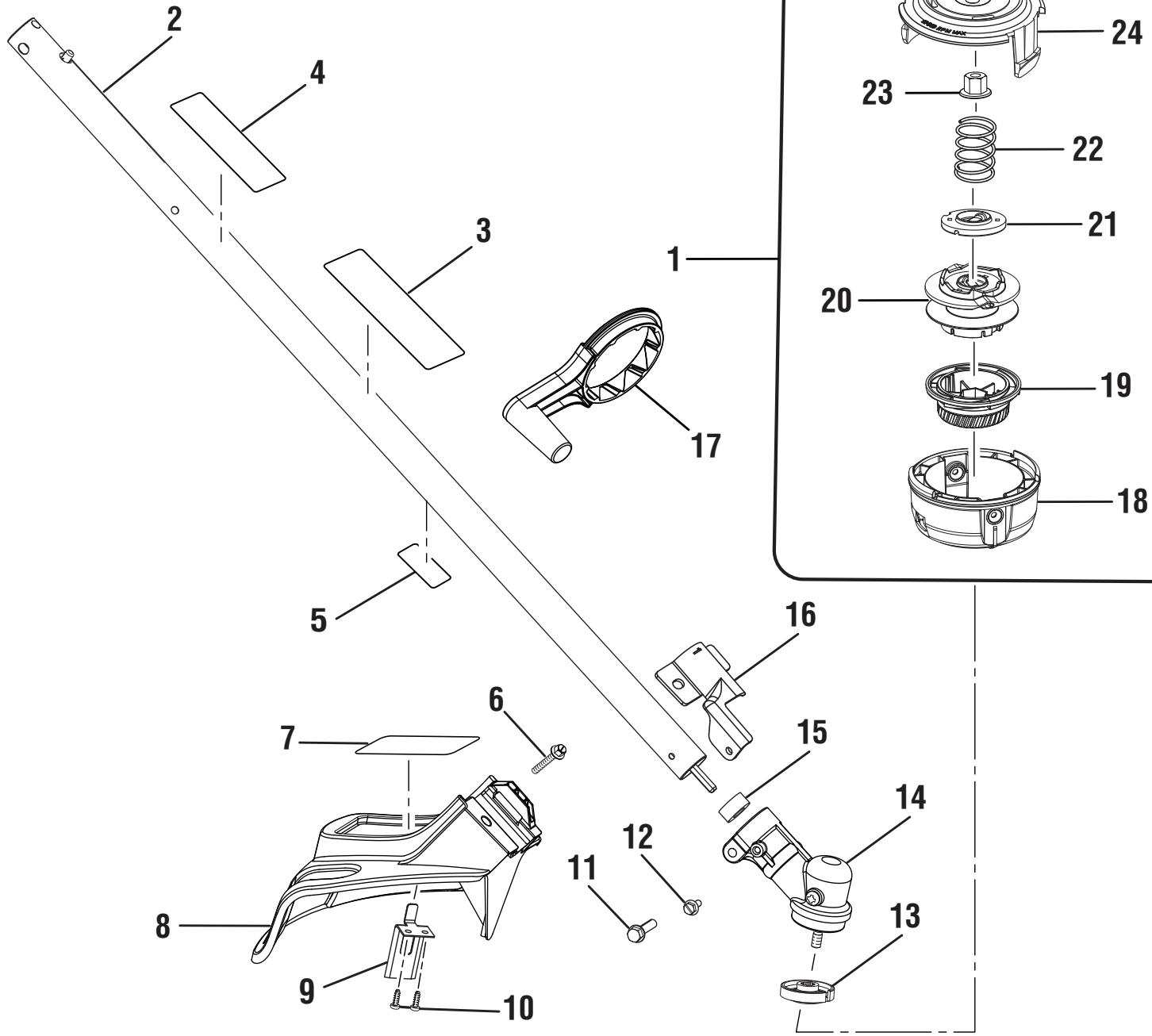
TECHTRONIC INDUSTRIES POWER EQUIPMENT

P.O. Box 1288, Anderson, SC 29622 USA

1-800-860-4050

www.ryobitools.com

RY15523A/RV15523AVNM TRIMMER ATTACHMENT



RY15523A/RV15523AVNM TRIMMER ATTACHMENT

The model number will be found on a label attached to the motor housing. Always mention the model number of your **STRING TRIMMER** when requesting service or ordering repair parts.

PARTS LIST

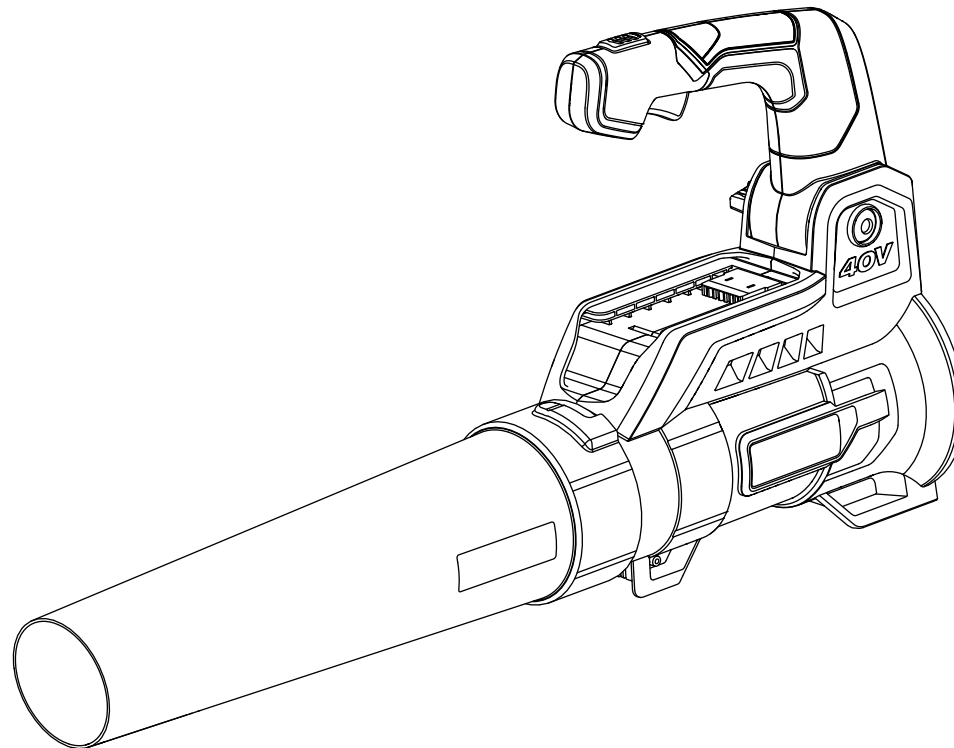
KEY NO.	PART NUMBER	DESCRIPTION	QTY
1	313318001	Stringhead Reel Assembly (Inc. Key Nos. 18-24)	1
2	314383001	Straight Shaft Assembly (Inc. Key Nos. 3-5, RY15523A).....	1
	315833001	Straight Shaft Assembly (Inc. Key Nos. 3-5, RY15523AVNM)	1
3	940749005	Warning Icon Label	1
4	941851149	Ryobi EXPAND-IT Label	1
5	941588053	Data Label (RY15523A)	1
	941588477	Data Label (RY15523AVNM).....	1
6	660738002	Screw (1/4-20 x 1-1/4 in., Hex Washer Hd.)	1
7	940705021	Logo Label	1
8	313285005	Grass Deflector Assembly (Inc. Key Nos. 6-7 & 9-10)	1
9	638016003	Line Cut-off Blade	1
10	662148001	Screw	2
11	660642001	Screw (1/4-20 x 1-1/4 in., Hex Washer Hd.)	1
12	660641001	Screw (10-24 x 5/8 in., Hex Washer Hd.).....	1
13	678011001	Flanged Washer	1
14	308210009	Gear Head	1
15	518367001	Spacer	1
16	638125001	Grass Deflector Clamp.....	1
17	532048001	Crank Handle	1
18	530366001	Lower Housing	1
19	530455002	Bump Knob (Green).....	1
20	530670001	Spool Assembly.....	1
21	529803001	String Guide.....	1
22	678749001	Spring	1
23	662568002	Hex Flange Nut (M8, Left Hand).....	1
24	530001004	Upper Housing	1

Not Shown:

990000799 Operator's Manual
 5-1-20
 (Rev:10)

REPAIR SHEET

BRAND RYOBI		DESCRIPTION 40 Volt Jet Fan Blower
MODEL NO. RY40408VNM	MFG. NO. 108600101	

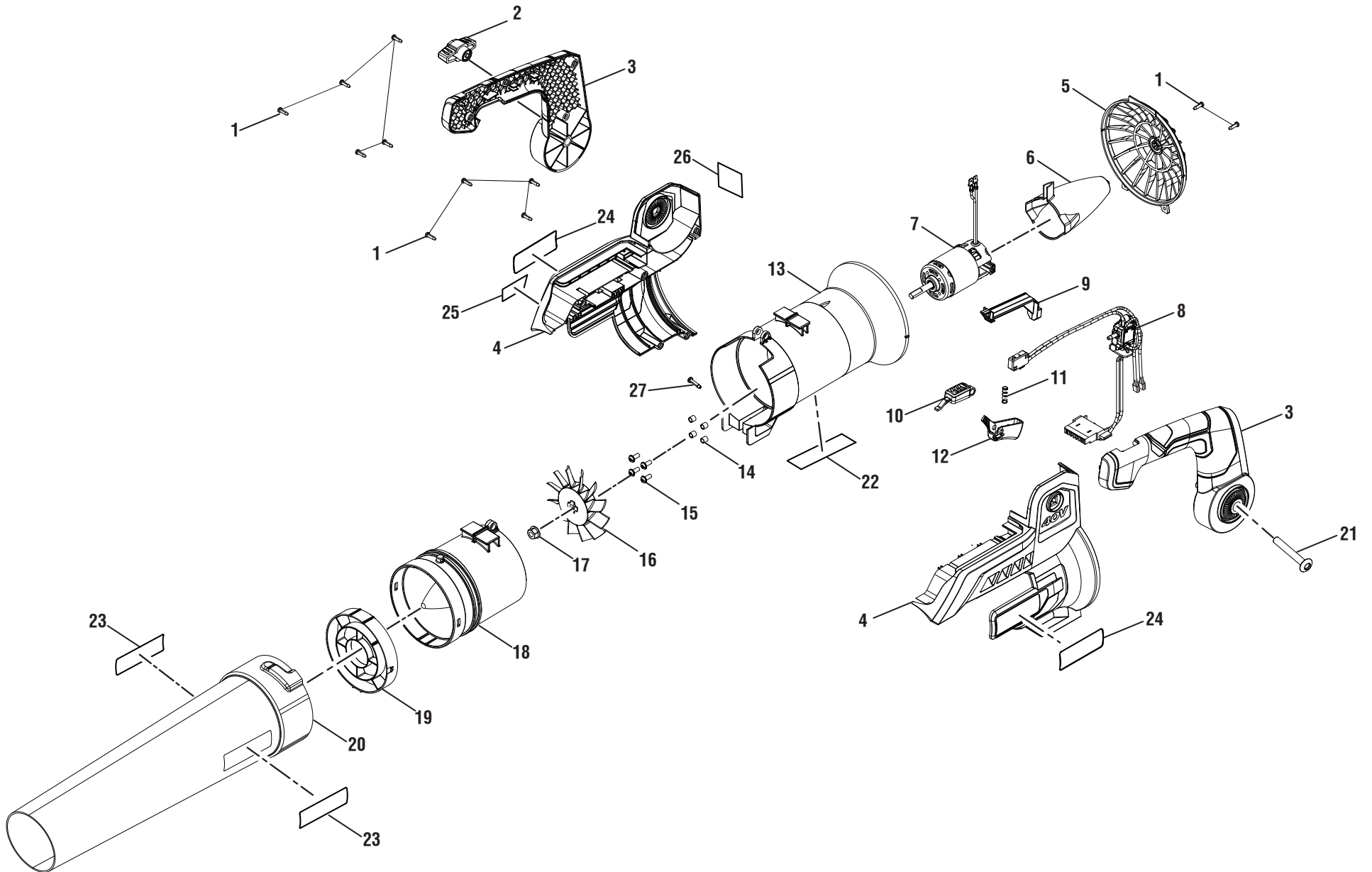


TECHTRONIC INDUSTRIES POWER EQUIPMENT

P.O. Box 1288, Anderson, SC 29622 ■ 1-800-525-2579 ■ www.ryobitools.com

4-21-21 (Rev:02)

The model number and manufacturing location will be found on a label attached to the product. Always mention this information in all communications regarding this product and when ordering parts.





RY40408VNM

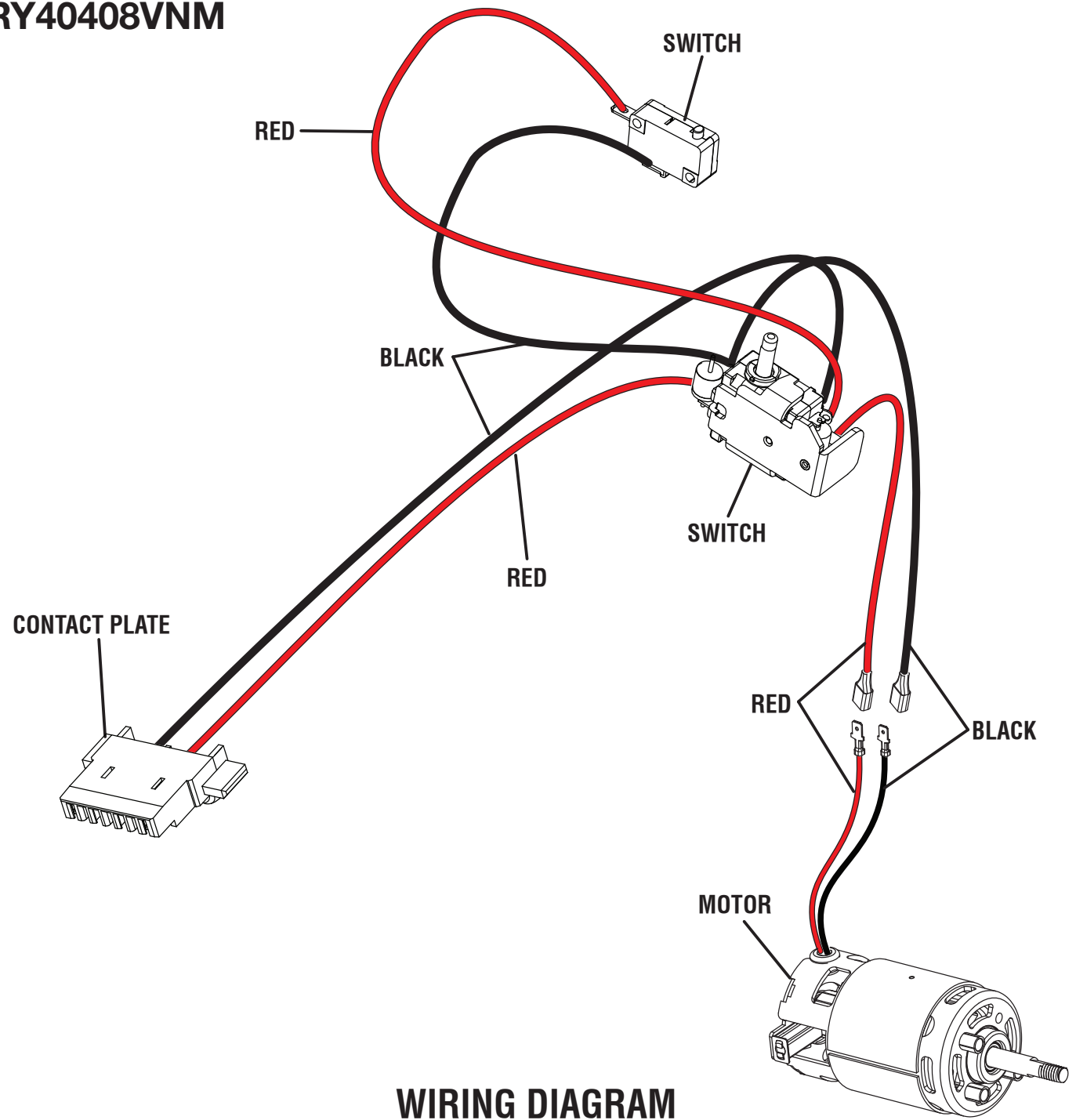
PARTS LIST

KEY NO.	PART NO.	DESCRIPTION	QTY.
1	661817001	Screw (M4 x 14 mm, T15 Torx Pan Hd.)	11
2	539320002	Handle Knob	1
3	205336001	Handle Assembly	1
4	205335001	Housing Assembly (Inc. Key Nos. 24-26)	1
5	539791001	Inlet Guard	1
6	539793001	Motor Cone	1
7	742510003	Motor	1
8	205337001	Battery Holder and Switches Assembly	1
9	539800001	Switch Cap	1
10	539799001	Turbo Button	1
11	671073001	Compression Spring	1
12	539798001	Trigger	1
13	205357001	Motor Mount Assembly (Inc. Key No. 22)	1
14	697725001	Bushing	4
15	660917004	Screw (M5 x 0.8 mm, T25 Torx Pan Hd.)	4

KEY NO.	PART NO.	DESCRIPTION	QTY.
16	537642001	Fan	1
17	678128002	Lock Nut (M8)	1
18	539792001	Stator	1
19	537637001	Vane Insert	1
20	205334001	Blower Tube Assembly (Inc Key No. 23)	1
21	541033001	Handle Knob Bolt	1
22	941588638	Data Label	1
23	940114537	Jet Fan Logo Label	2
24	940851584	Logo Label	2
25	940657342	Warning Label (French & Spanish)	1
26	940657341	Warning Icon Label	1
27	661864007	Screw (M4 x 18 mm, T15 Torx Pan Hd.)	1
	Not Shown:		
	998000091	Operator's Manual	



RY40408VNM



WIRING DIAGRAM