



WALL MOUNT OPENER ASSEMBLY & INSTALLATION INSTRUCTIONS

Assembly & Installation Video
Available at: www.GenieCompany.com
or scan this code



IMPORTANT INSTALLATION INSTRUCTIONS

POTENTIAL HAZARDS
Overhead doors are large, heavy objects that move with the help of springs under high tension and electric motors. Since moving objects, springs under tension, and electric motors can cause injuries, your safety and the safety of others depends on you reading the information in this installation poster. If you have questions or do not understand the information presented, call The Genie Company (1-800-35-GENIE). In this section, and those that follow, the words **Warning** and **Caution** are used to emphasize important safety information.

WARNING indicates an imminently hazardous situation which, if not avoided, will result in death or serious injury.

CAUTION indicates a potentially hazardous situation which, if not avoided, could result in death or serious injury.

NOTE is used to indicate important steps to be followed or important considerations.

WARNING TO REDUCE THE RISK OF SEVERE INJURY OR DEATH

READ AND FOLLOW ALL SAFETY, INSTALLATION AND OPERATION INSTRUCTIONS. If you have any questions or do not understand an instruction, call The Genie Company or your local Genie Factory Authorized Dealer.

- DO NOT install opener on an improperly balanced door. An improperly balanced door could cause severe injury. Repairs and adjustments to cables, spring assembly, and other hardware must be made by a trained service person using proper tools and instructions.
- Remove all pull ropes and remove or disable all locks connected to the garage door before installing opener.
- Where possible, install door opener 7 ft. (2.14M) or more above the floor. For products having an emergency release, mount the emergency release within reach, but at least 6 ft. (1.83m) above the floor to prevent children from reaching it.
- DO NOT connect the opener to the source of power until instructed to do so.
- Locate the wall console button: A) Within sight of door. B) At a minimum height of 5 feet so small children cannot reach it. C) Away from all moving parts of the door.
- Install the entrapment WARNING label next to the wall button or console. Install red emergency release handle on the emergency release cord.
- The opener must reverse when the door contacts a 1-1/2 in. (38mm) high object on the floor at the center of the doorway. This is about the size of a 2' x 4' board laid flat.
- For products having a manual release, instruct the end user on the operation of the manual release.

WARNING
A moving door could result in serious injury or death.

- Keep people clear of opening while door is moving.
- DO NOT allow children to play with the door opener.
- DO NOT operate a door that jams or one that has a broken spring.

WARNING
An Electrical Shock could result in serious injury or death.

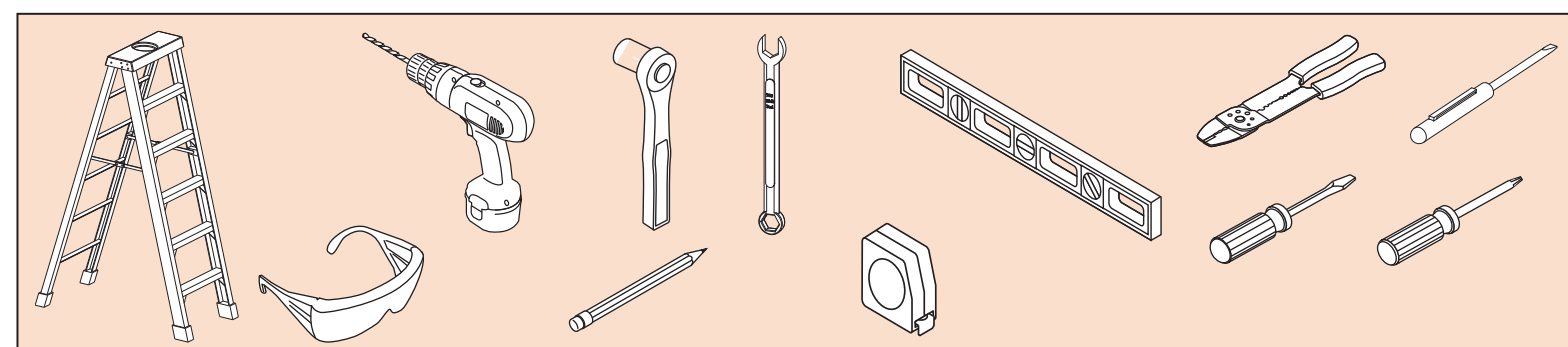
- Turn off power before removing opener cover.
- When replacing cover, make sure electrical wires are not pinched or near moving parts.
- Opener must be properly grounded.

WARNING
WARNING-HIGH SPRING TENSION

DO NOT try to remove, repair or adjust springs or anything to which door spring parts are fastened, such as wood block, steel tracks, cables or other lift items.

- Repairs and adjustments must be made by a trained door system technician using proper tools and instructions.

RECOMMENDED TOOLS

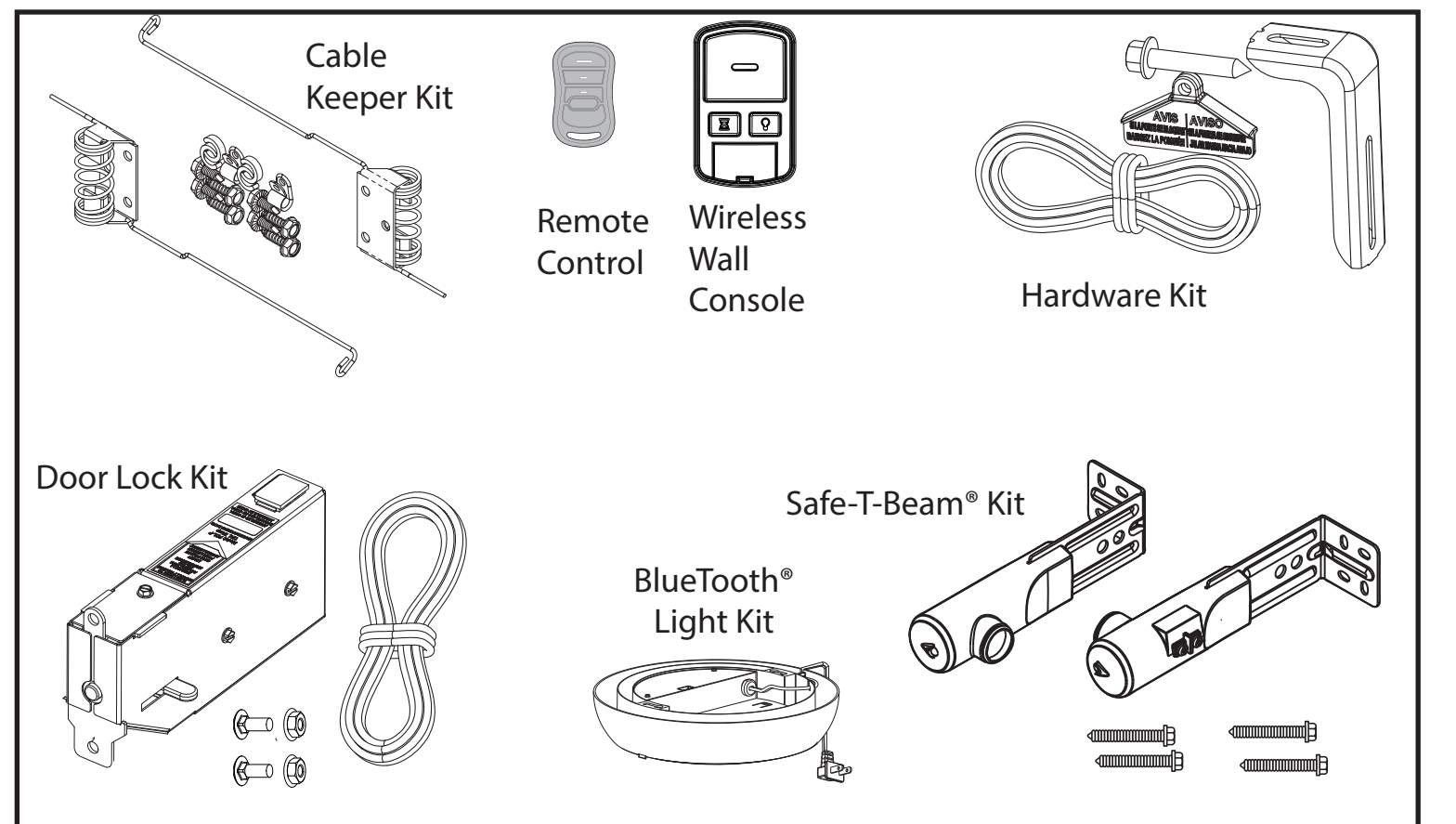


Ladder
Safety Glasses
Drill
-1/4" bit
-3/32" bit

Socket Set
-7/16"
-1/2"
Assorted Wrenches
-7/16"
-1/2"

Pencil
Tape Measure
Spirit Level
Wire Cutters/Strippers
Small Common Screwdriver
Common Screwdriver
Phillips Head Screwdriver

INVENTORY



STOP NEED HELP OR HAVE QUESTIONS? **STOP**
DO NOT RETURN product to the store.
Call Genie: 1-800-35-GENIE or visit www.GenieCompany.com

IMPORTANT PRE-INSTALLATION CONSIDERATIONS

Important Compatibility Considerations:

The Genie Residential Wall Mount opener is intended for use on:

- Standard lift garage doors up to 14 feet tall, using industry standard 4in. to 6in. drums or equivalent.
- Hi-lift sectional doors up to 14 feet tall and 84 inches maximum of high lift using industry standard APCO 400.54 , 5250.54 and 500.84 drums or equivalent.
- Vertical lift doors up to 14 feet tall, using industry standard APCO 850.11 and 1100.18 drums or equivalent.
- Doors up to 18 feet wide not to exceed 180 square feet and 850 lbs. balanced weight.
- Only doors that use torsion springs with a torsion bar diameter of 1 in. solid or hollow 14 or 16 ga. tubular steel.
- Not compatible with low headroom outside hook-up, i.e. reverse wound drums.

Power Requirements and Options:

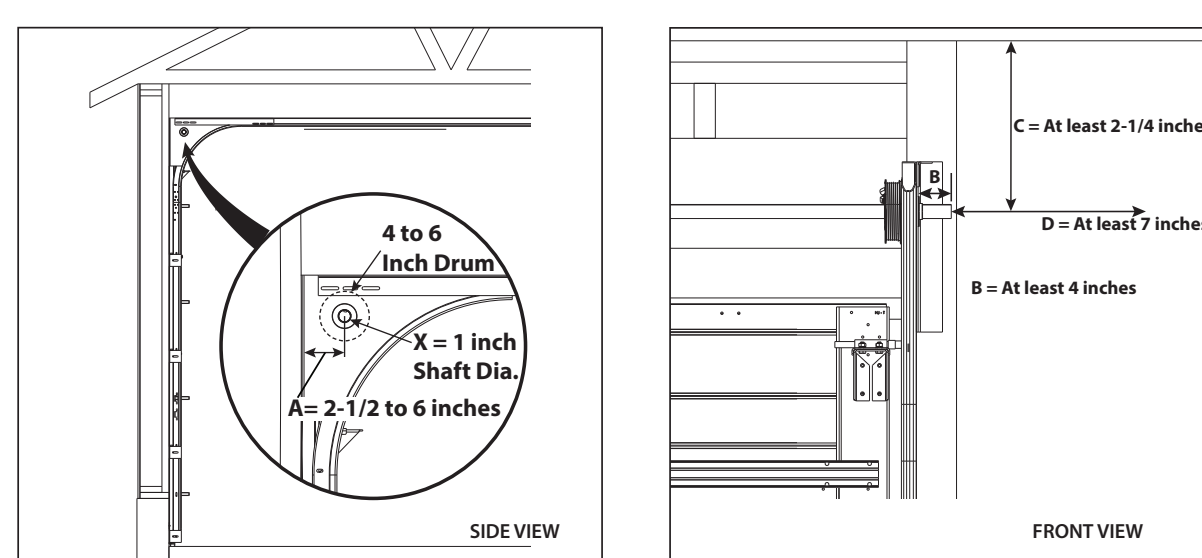
- DO NOT USE EXTENSION CORDS TO POWER THIS OPENER.
- To reduce the risk of electric shock, this equipment has a grounding type plug, that has a third grounding pin. This plug will only fit into a grounding type outlet. If the plug does not fit into the outlet, contact a qualified electrician to install the proper outlet. Do not change the plug in any way.
- A standard 120VAC outlet will be required within 5 feet of opener. If this is not available, then permanent wiring of the opener or an alternate power installation kit will be required. SEE SPECIAL INSTALLATION INSTRUCTIONS IN OWNERS MANUAL FOR PERMANENT WIRING INSTALLATION INSTRUCTIONS PRIOR TO INSTALLING OPENER.
- Alternate Power Installation kits are also available for all models when a power outlet is not available within 5 feet of opener installation. See accessories page in owners manual for more information.

Alternate Installation Kits:

Alternate mounting kits are available for TorqueMaster® and Indirect Chain Couple installations. See accessories page in owners manual for more information.

Critical Measurements:

This opener can be installed left or right handed. Critical measurements must be taken to ensure this opener will fit the intended door. This opener will directly couple onto torsion shafts, solid or tubular, of 1 inch in diameter with or without a keyway. (X) Measure the distance between the torsion bar centerline to the wall. This dimension must be between 2-1/2" and 6". (A) The torsion bar shaft must protrude no less than 2-1/4" from bearing plate. (B) A standard 115 VAC grounded electrical outlet will be required within 6 feet of the bottom of the opener. Torsion bar centerline to the ceiling must be at least 2-1/4" for clearance. (C) NOTE: Headroom required is less than smallest standard drum (400.8).



WARNING

Garage door hardware (springs, cables, brackets, pulleys, etc.) are under extreme pressure and tension. DO NOT attempt to repair or adjust door springs or any hardware, and DO NOT OPERATE garage door automatically or manually if door is improperly balanced or springs are broken. CONTACT A TRAINED DOOR SYSTEM TECHNICIAN.

AVERTISSEMENT

La quincaillerie de la porte de garage (ressorts, câbles, supports, poulies, etc.) sont sous des pressions et des tensions extrêmes. NE PAS réparer ni régler les ressorts de la porte ou toute autre pièce de quincaillerie et NE PAS ACTIONNER la porte manuellement ou automatiquement si elle n'est pas correctement équilibrée ou si des ressorts sont cassés. CONTACTEZ UN TECHNICIEN SPÉCIALISÉ EN SYSTÈME DE PORTES

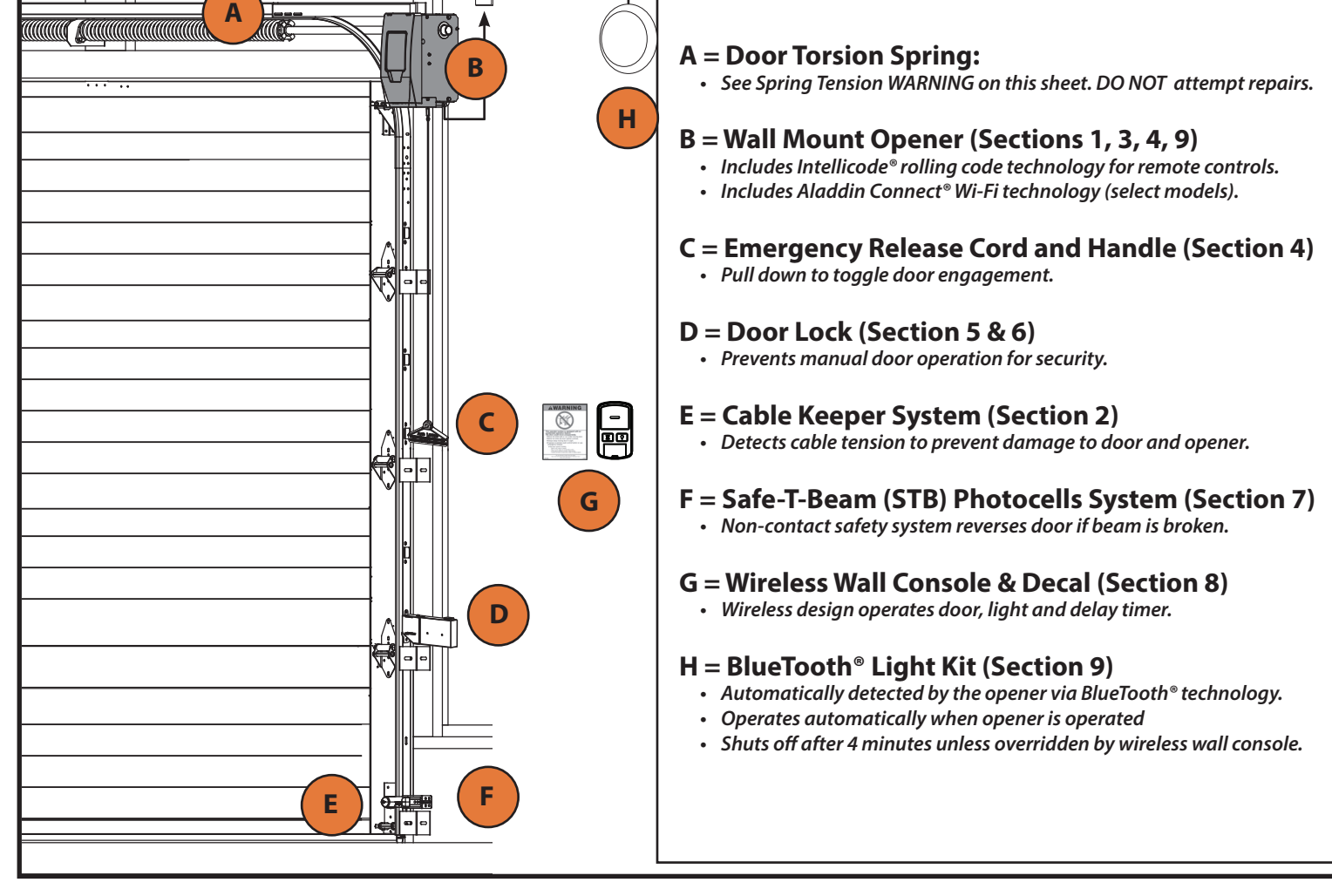
Door Inspection:

If the intended door meets the above requirements, inspect the door for proper balance and general condition.

- Raise and lower the door manually. Door should move freely and smoothly.
- Raise door manually about 3' to 4' feet from floor and let go. Door should remain stationary or slowly drift closed. FIG.A.
- If door opens or closes rapidly, CONTACT A TRAINED DOOR SYSTEM TECHNICIAN to have your door springs serviced.
- Disable or remove all locks and ropes attached to the door.
- Monitor the end of the torsion bar while the door is raised and lowered. It is important that there is no noticeable movement up and down or side to side, if there is, CONTACT A TRAINED DOOR SYSTEM TECHNICIAN, otherwise opener reliability will be significantly reduced.



MAIN COMPONENTS & FEATURES



1 ASSEMBLE OPENER

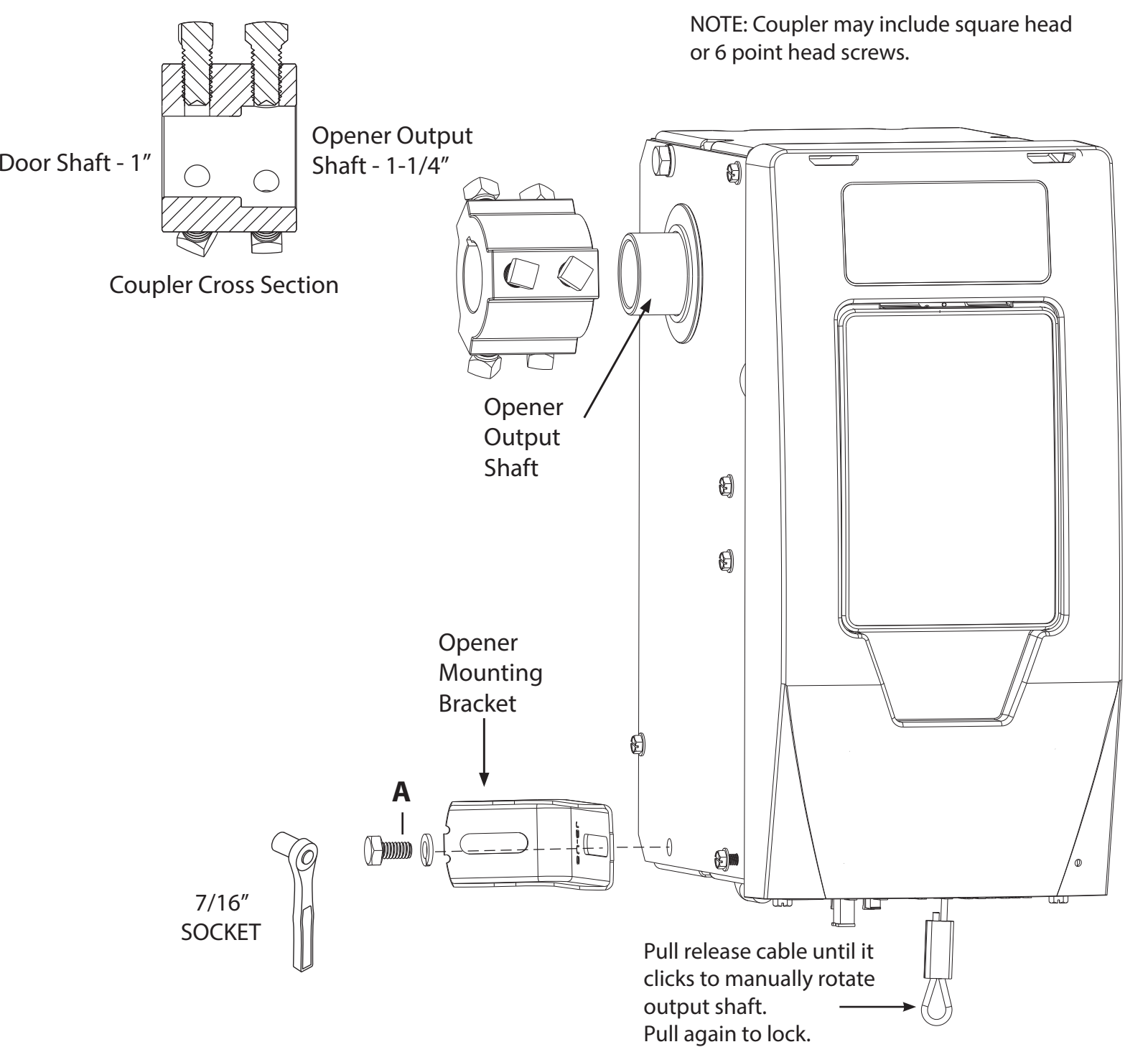
- CLOSE DOOR.
- Notate mounting bracket orientation and remove bolt and lock washer (A) from powerhead chassis and loosely install mounting bracket from kit bag on desired side of powerhead. (Right Hand mount shown)

NOTE: Bracket can be mounted to opener on either side depending on mounting requirements.

- Pull emergency release cable to disconnect opener to rotate output shaft for ease of coupler installation.
- Slide coupler (1-1/4" end) onto opener output shaft until it fully seats. (See Coupler Cross Section detail below)
- Tighten 3 inner set screws on coupler finger tight against opener output shaft.

NOTE: The coupler must be installed onto the opener output shaft until the coupler seats completely to the recess inside coupler.

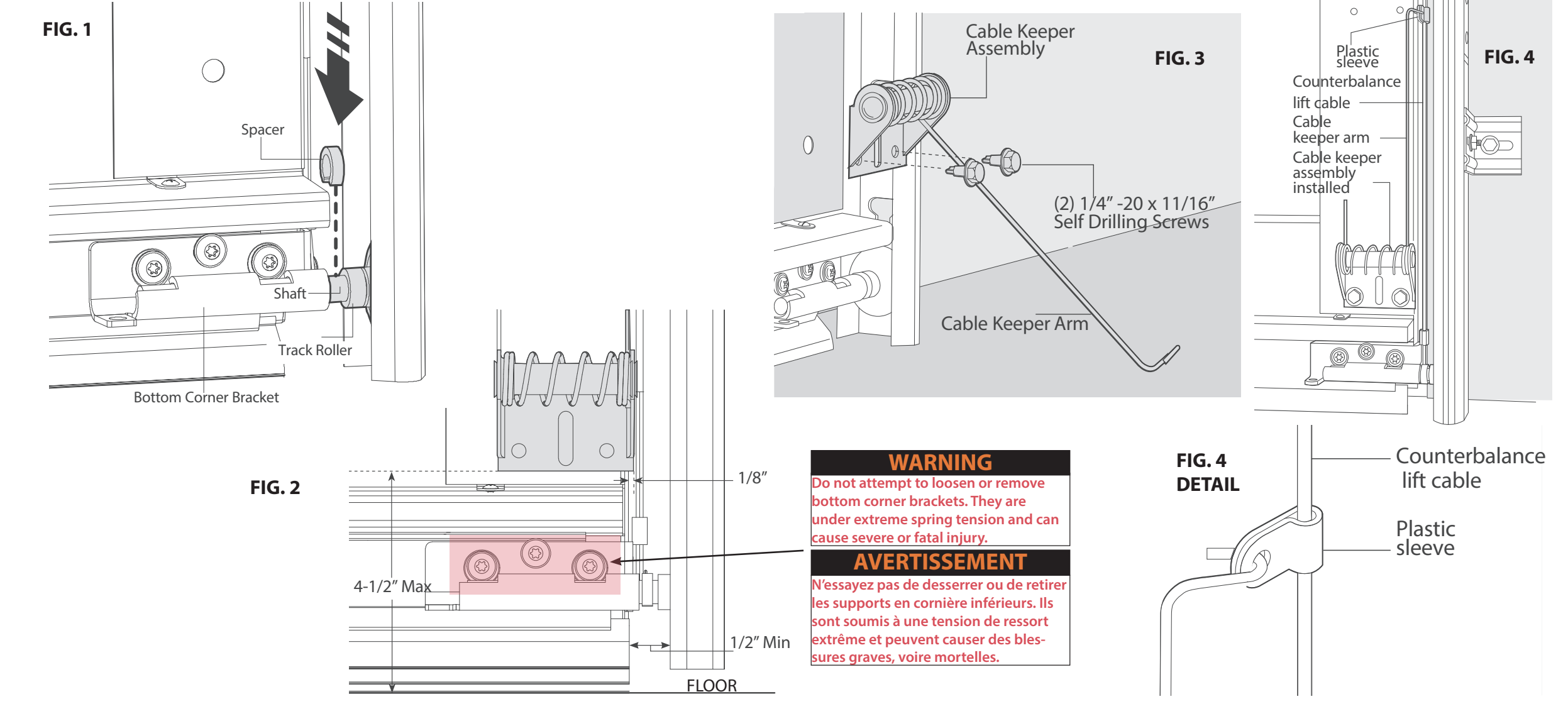
NOTE: Opener MUST be mounted to garage framing material. DO NOT install to particle board or drywall.



2 INSTALL CABLE KEEPERS ON DOOR

- Carefully inspect the counterbalance lift cables on the door. If they are worn, frayed or broken, contact a qualified door service company to replace the counterbalance lift cables before installing the cable keepers.
- Push spacer onto the shaft between the short stem track roller and the bottom corner bracket. Use an additional spacer if needed to achieve a minimum of 1/2" clearance FIG-1.
- If there is less than 1/2" clearance, loosen the lag screws attaching the track to the wall and adjust the track for the 1/2" clearance. Re-tighten the lag screws.
- Position the right hand (black) cable keeper assembly directly above the garage door bottom corner bracket. **WARNING** - DO NOT loosen or remove bottom corner bracket screws.
- The cable keeper assembly must extend 1/8" past the end of the door section. Ensure there is no more than 4-1/2" from the bottom edge of the door to bottom of cable keeper FIG.2. **IMPORTANT: RIGHT AND LEFT HAND IS ALWAYS DETERMINED FROM INSIDE THE BUILDING LOOKING OUT.**
- Fasten the cable keeper assembly with (2) 1/4" - 22 x 11/16" self drilling screws (wood doors will use (2) 1/4" x 1" lag screws). Once the cable keeper assembly is secured to the bottom section FIG. 3.
- Place the plastic sleeve over the counterbalance lift cable and then rotate the cable keeper arm upward and attach it to the plastic sleeve FIG. 4.
- Repeat the same process for the left hand (Red) cable keeper assembly.

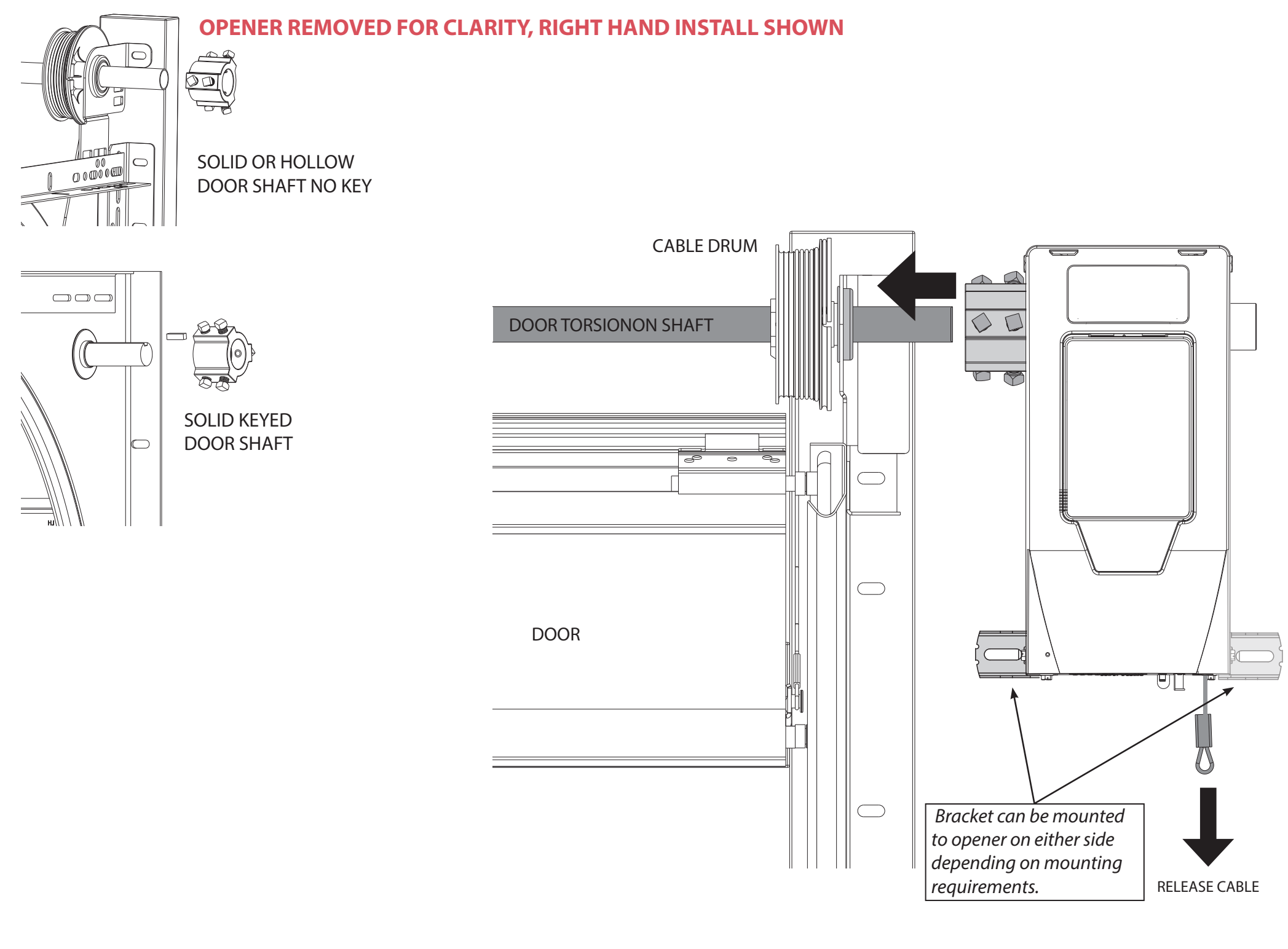
NOTE: It is recommended that wood doors be pre-drilled with 1/8" pilot holes prior to fastening. **IMPORTANT NOTE:** Operate door manually full open to full close and watch keeper to ensure that it does not contact door track. Adjust as necessary.



3 INSTALLING THE OPENER (CONT)

- Mount opener to door shaft.
 - If the door shaft is NOT keyed, slide opener assembly onto door shaft and tighten setscrews finger tight.
 - If the door shaft IS keyed, insert provided key into either keyway. Pull emergency release cable at the bottom of the opener to allow free rotation of the output shaft to "clock" the keyways together. Tighten set screws onto door shaft finger tight.

NOTE: The mounting of this opener to the door shaft is designed so the door shaft will slide through the coupler and enter the hollow output shaft of the opener up to 3-3/8" (there is a stop pin located in the center of the opener output shaft).

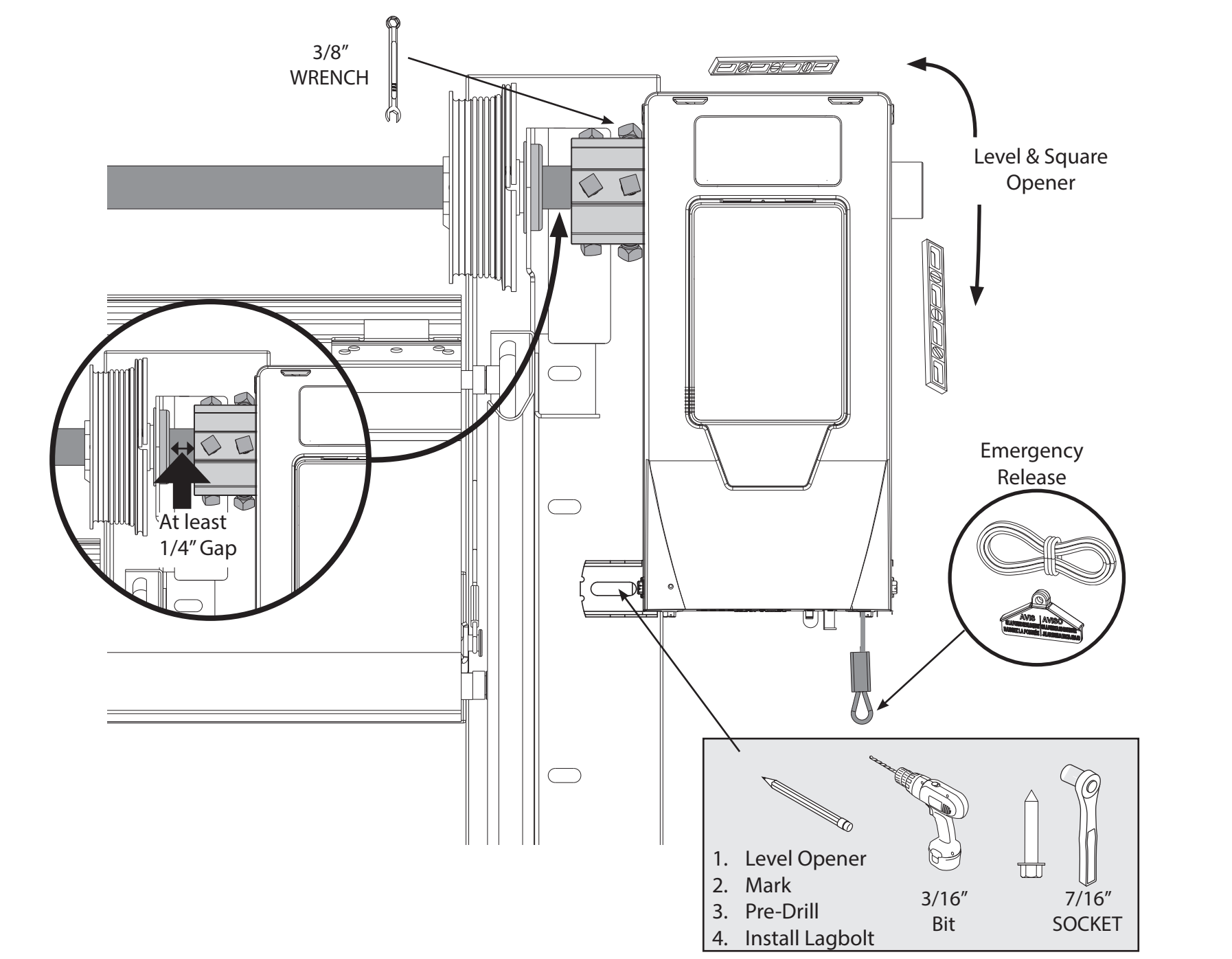


4 INSTALLING THE OPENER (CONT')

NOTE: Opener MUST be mounted to garage framing material. DO NOT install to particle board or drywall.
The instructions above are provided using standard wood framing and bracing. Additional bracing may be required for this installation. Hardware for masonry or steel construction is not provided.

- Mount opener to wall.
- Level and square opener. **NOTE: Vertical lift openers will not be level.**
- Leave at least a 1/4" gap between coupler and door shaft bearing.
- Mark mounting bracket hole position, pre-drill a 3/16" pilot hole and install lag screw and fully tighten.
- Add 1 full turn to hollow tube or 1/2 turn for solid shaft on each coupler set screw in 1/4 turn increments after contacting door and opener shaft surfaces. DO NOT tighten set screws into an empty keyway.
- Adjust opener to ensure back of opener is flush with wall and tighten mounting bracket bolt to opener.
- Pull emergency release cable and manually operate door to inspect for binding. (Pull cable until it clicks and locks into place. Pull again to release and lock opener to door).
- Tie RED emergency release cord to cable loop and tie release handle to cord approximately 6 feet from floor.

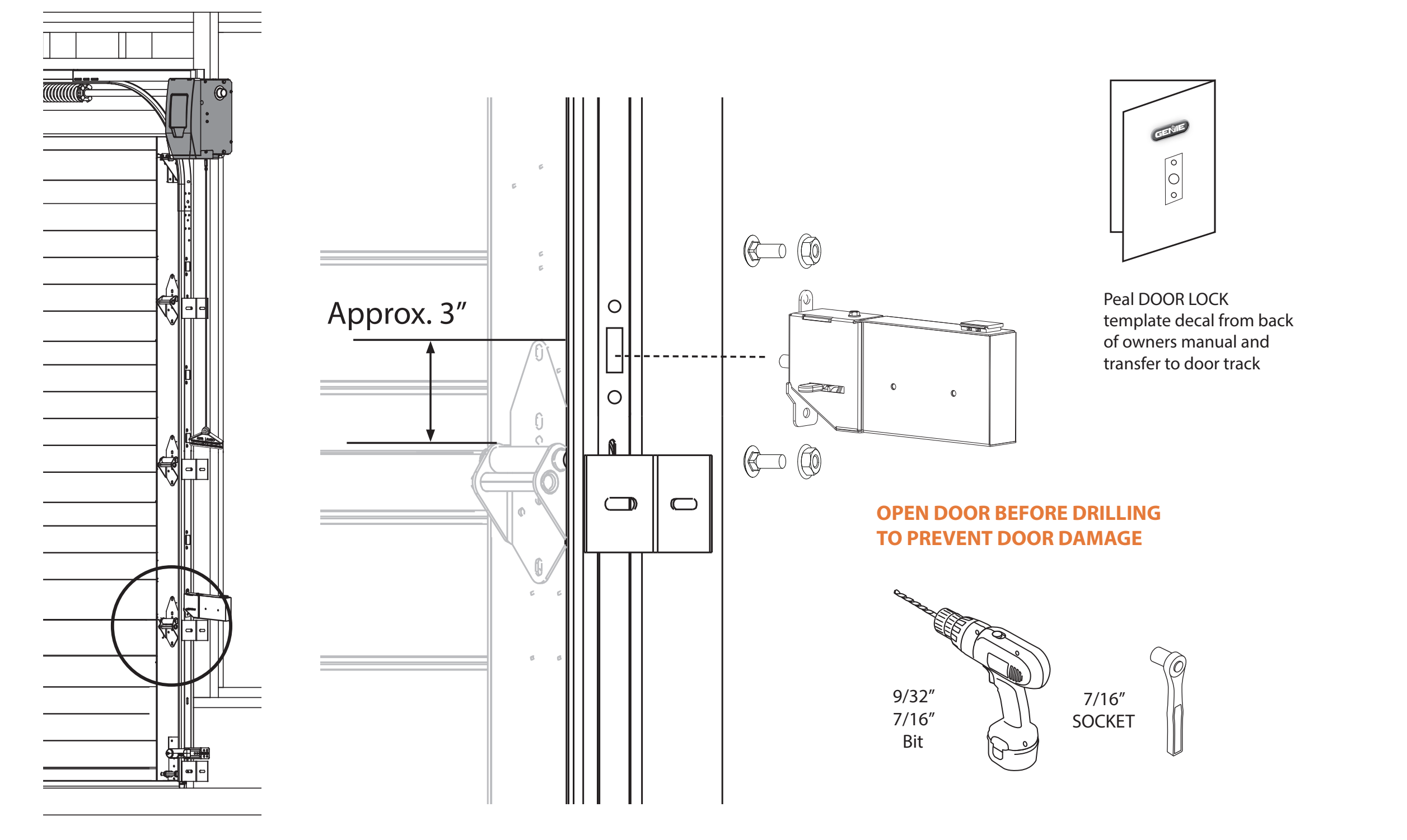
NOTE: Ensure all COUPLER BOLTS are secured prior to tightening mounting bracket bolt.



5 INSTALL DOOR LOCK

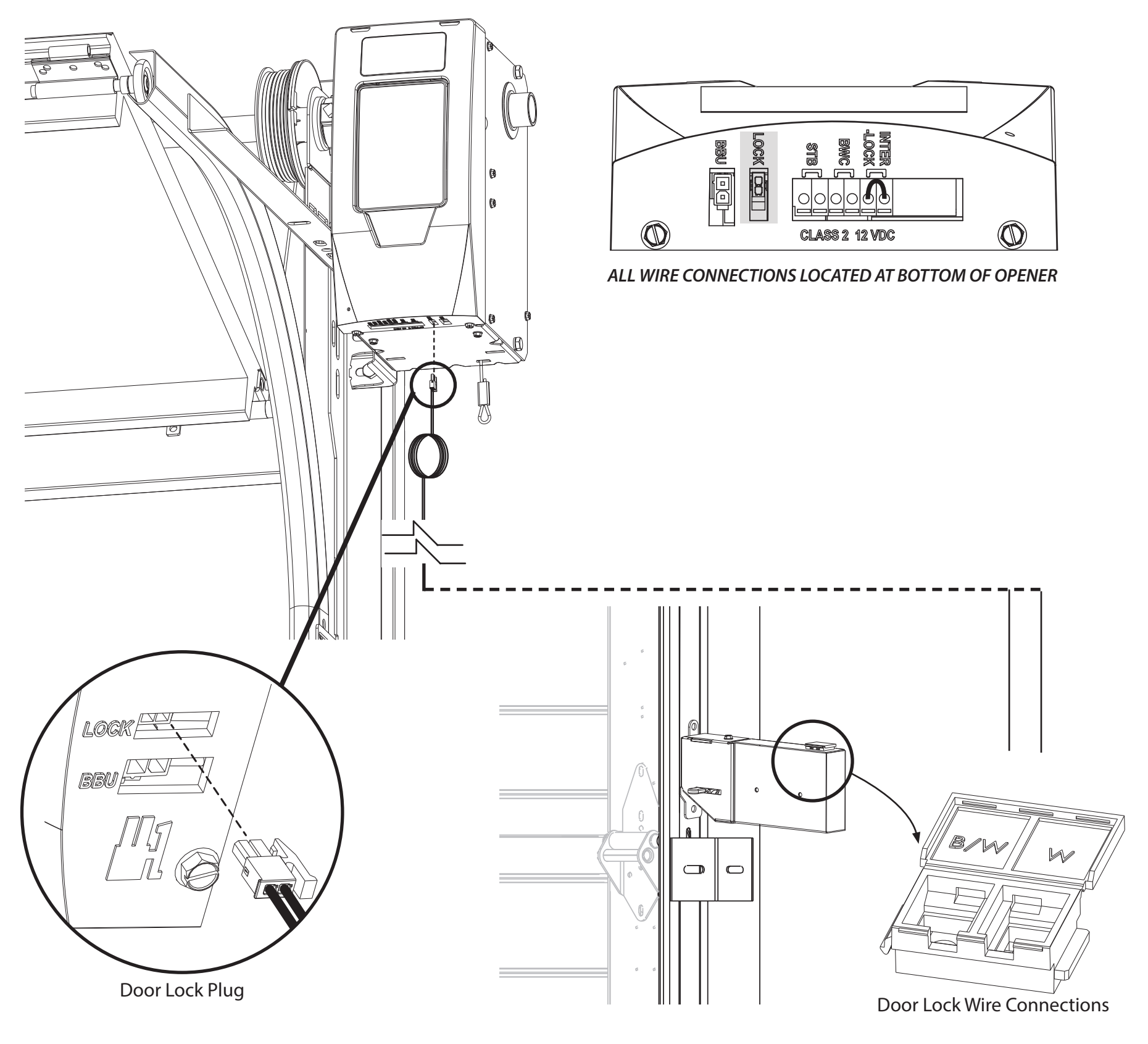
Door lock prevents manual door operation and is important for garage security.
Door lock should be installed no more than 10 feet away on the opener side of the door if possible.

- Mount door lock onto door track above a roller on the second or third door panel from the floor. If mounting position does not line up with pre-punched door lock bar cutouts as shown below:
 - Remove template from the back page of the owners manual.
 - Apply template to the door track where the center 7/16" hole is approximately 3 inches above the door roller on the 2nd or 3rd door panel.
 - Drill two 9/32" holes for mounting and one 7/16" hole if using template. De-burr holes if required.
- Position door lock and install two 1/4" X 9/16" track bolts and nuts. Install track bolt on inside of door track facing outward.



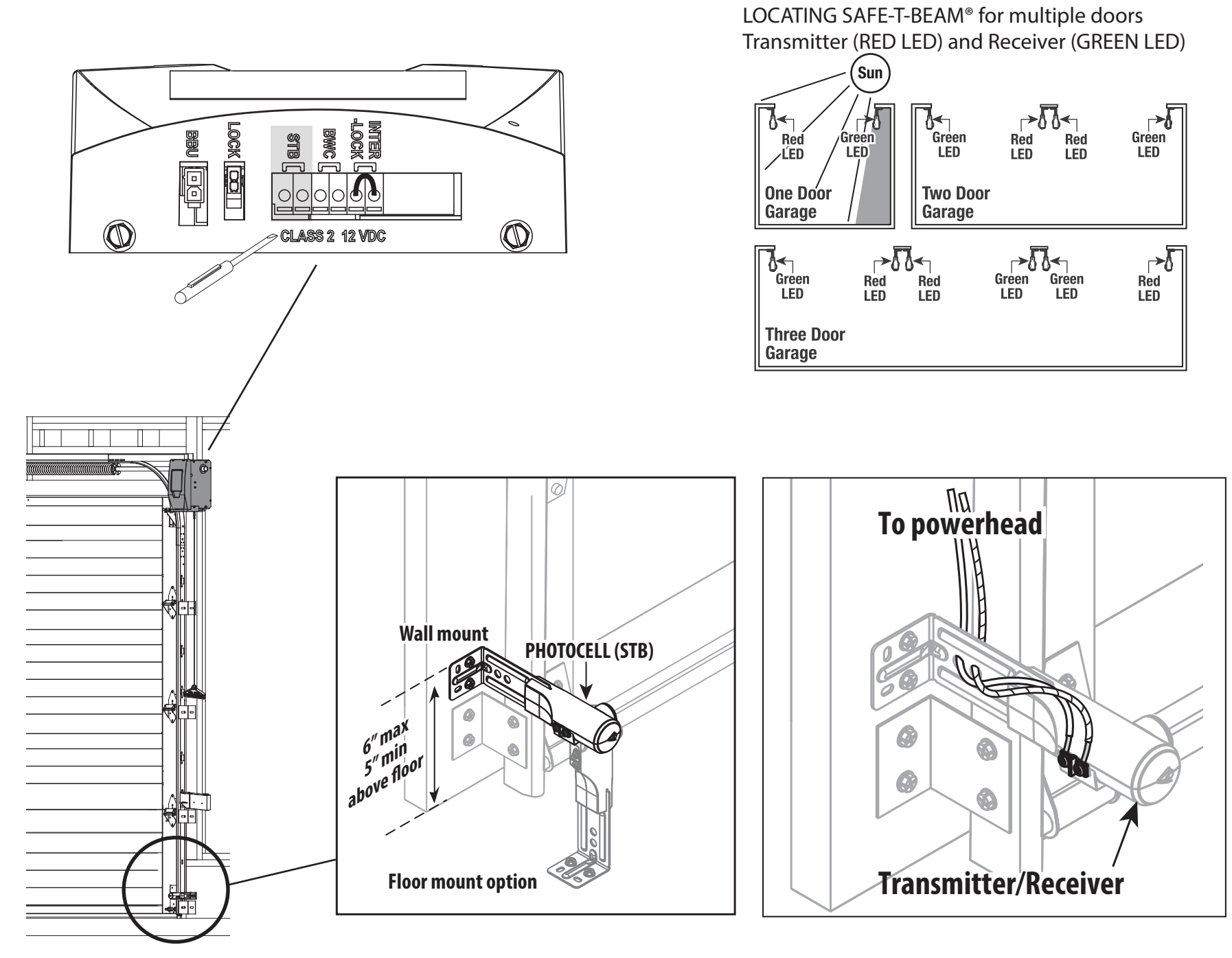
6 WIRE DOOR LOCK

- Wire Door Lock**
- Plug door lock harness into the LOCK plug on bottom of opener. Insert plug in correct direction (SEE INSET).
 - Run wire down the wall to the DOOR LOCK and secure with supplied wire staples. NOTE that DOOR LOCK wires are polarity sensitive.
 - Cut off excess wire, strip 1/4" of insulation and attach to bottom connectors on DOOR LOCK.
 - Install WHITE wire to W terminal and STRIPED wire to B/W terminal.



7 INSTALL SAFE-T-BEAM® SYSTEM

- Install and Wire Safe-T-Beams® (STB)**
- Position Safe-T-Beam® (STB) Transmitter and Receiver on each side of garage door 5"-6" above floor. Face the lenses towards each other. (See inset on locating Safe-T-Beam® sets)
 - Mark bracket mounting holes; drill 3/32" pilot holes and secure with 1/4" x 1-1/4" lag screws (provided) into wood. If mounting into concrete or block, other fasteners are required and are available at leading retail stores.
 - Route 2 lengths of supplied wire from powerhead, down to one sensor and along the header and down the side of the door to the other sensor. Secure the wire to the walls using the insulated staples.
 - On the powerhead: Remove 1/4" insulation from both sets of white and striped wire. Twist two white wires together. Using a small flat head screwdriver, press in the orange tab at one STB terminal and insert the wires. Twist the two striped wires together and insert into the other STB terminal. NOTE that STB wires are not polarity sensitive.
 - At each sensor, remove 1/4" insulation from the white and striped wires and secure in each screw terminal.

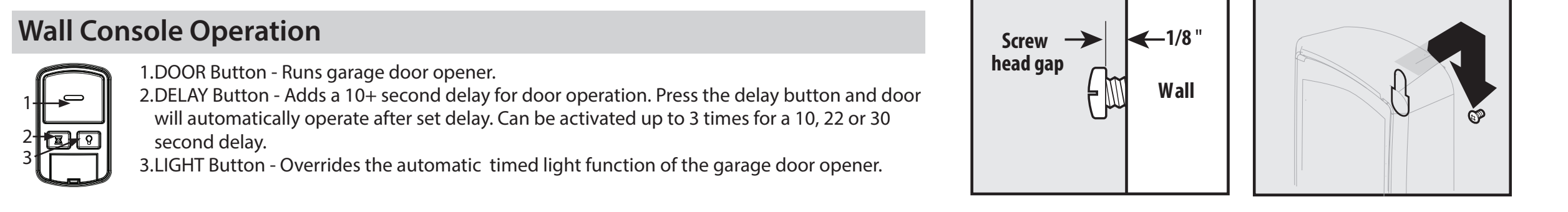


8 INSTALLING WIRELESS WALL CONSOLE

SEE FULL INSTRUCTION SHEET INCLUDED WITH WIRELESS WALL CONSOLE FOR DETAILED INSTALLATION AND OPERATION INFORMATION.

- Install Wireless Wall Console**
- Determine mounting location for wireless wall console.
 - Mount console no less than 5 feet above floor to prevent small children from activating opener.
 - Pre-drill 3/32" holes for mounting screws, or 3/16" if using drywall anchors (supplied) if needed.
 - Install screw leaving a 1/8" gap.
 - Slide console onto screw and down slightly to lock in place.
 - Remove battery door and remove protective tab and batteries.
 - Install screw to secure console to the wall.
 - Install batteries and battery door.
 - Install warning decal in the same area as wireless wall console.

Wireless Wall Console will automatically pair when opener is powered up.



10 INSTALL BOTTOM COVER OR BATTERY BACKUP

IF INSTALLING A BATTERY BACKUP, SEE BATTERY BACKUP INSTALLATION INSTRUCTIONS IN THE "SPECIAL INSTALLATION INSTRUCTIONS" SECTION OF THE OWNERS MANUAL.

- Install Bottom Cover Onto Opener - OMIT THIS STEP IF INSTALLING BATTERY BACK-UP**
- Remove two screws on the sides or bottom of opener depending on the version of cover supplied.
 - Route wires to the rear of opener to align with slot in rear of cover.
 - Install cover with screws removed in step 1.

11 FINISHING THE INSTALLATION

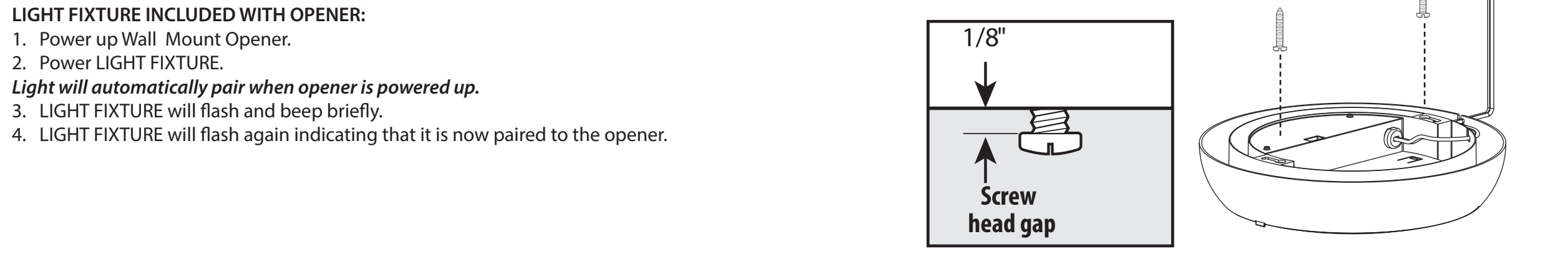
DO NOT Apply power to opener. Read and understand owners manual before proceeding



9 INSTALLING BLUETOOTH® LIGHT KIT

SEE FULL INSTRUCTION SHEET INCLUDED WITH LIGHT KIT FOR DETAILED INSTALLATION AND OPERATION INFORMATION.

- Install Bluetooth® Light Fixture**
- Determine mounting location within 30 feet of opener.
 - Pre-drill 3/32" holes for mounting screws, or 3/16" if using drywall anchors (supplied) if needed. 7-1/2 in. inches apart.
 - Install supplied screws leaving a 1/8" gap for mounting.
 - Route power cord through cutouts in flange and plug light into a standard 115V outlet. Secure excess wire under light housing.
 - Align LIGHT FIXTURE mounting holes with screws and turn light assembly to lock into place.



DO NOT OPERATE THIS OPENER AT THIS TIME. SEE INSTRUCTION MANUAL FOR FURTHER INSTRUCTIONS. SETTING THE DOOR DRUM SIZE AND TRAVEL LIMITS IS CRITICAL TO SAFE AND PROPER OPERATION. FAILURE TO PERFORM SET UP PROCEDURES CAN RESULT IN OPENER AND DOOR DAMAGE!

NEED HELP OR HAVE QUESTIONS?
DO NOT RETURN product to the store.
Call Genie: 1-800-35-GENIE or visit www.GenieCompany.com