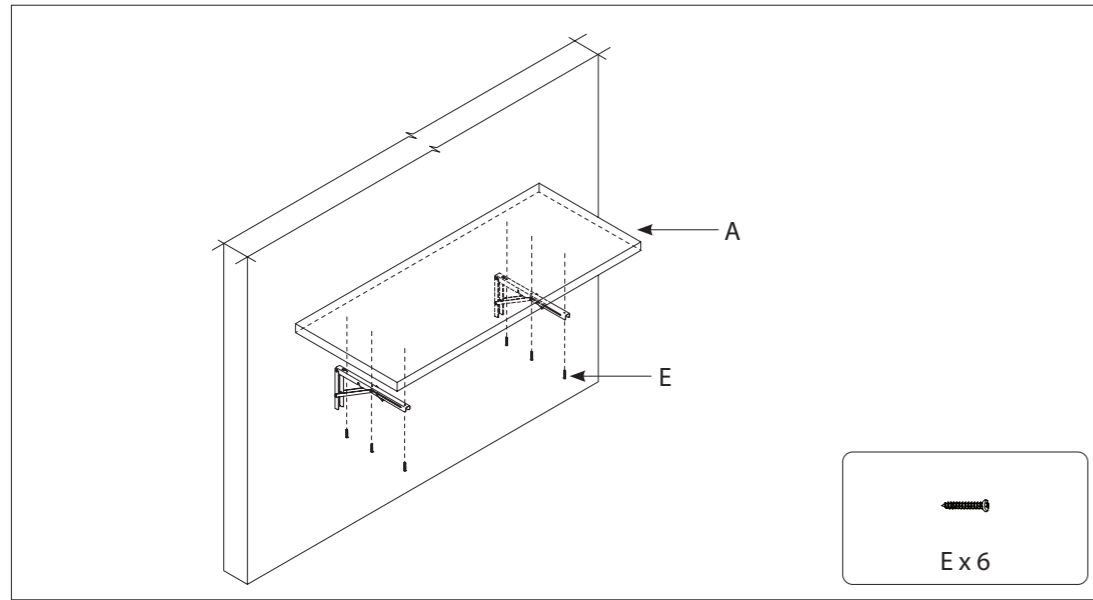
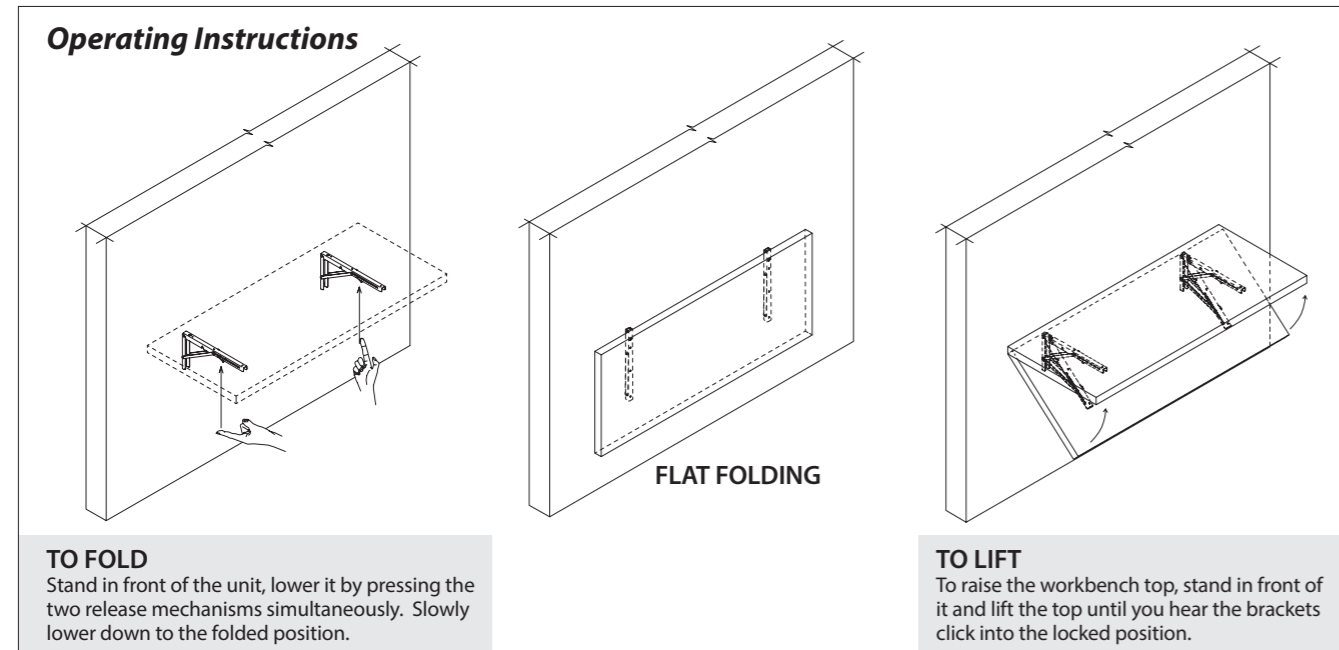


Step 2



- Place the wood top on the brackets.
 - Make sure the wood top is centered between the two brackets and placed close to the wall. (Do not leave a large gap).
 - Screw the 6 - M4 screws underneath the wood top to secure the top in place.
- Note:** We recommend that a second person assists with this step to hold the top in place.



CARE AND MAINTENANCE

1. Use a soft, clean cloth that will not scratch the surface while cleaning.
2. Using solvents of any kind on your product may damage the finish.
3. Do not use any harsh abrasives or chemicals to clean any metal surface as it may damage the protective coating.

LIMITED LIFETIME WARRANTY

This product is warranted to the original purchaser. If there is a failure in this unit due to defects in materials or workmanship, the manufacturer will repair or replace this item at our discretion without charge. Warranty is void if product has been assembled incorrectly, misused, abused by overloading, altered in any way or damaged due to accident. This warranty is not transferable and does not cover chipping, flaking, scratches, rust, dents, or other damages to the surfaces of this product. Responsibility of the manufacturer is limited to repair or replacement of this product. The manufacturer is not responsible for consequential, incidental, or other damages or losses resulting from product failure.

This warranty is in lieu of all other expressed warranties. Some states do not allow the exclusion or limitation of incidental or consequential damages, therefore, the above limitation may not apply to you. This warranty gives you specific legal rights and you may have other rights which vary from state-to-state.

USP
US POLYMERS INC

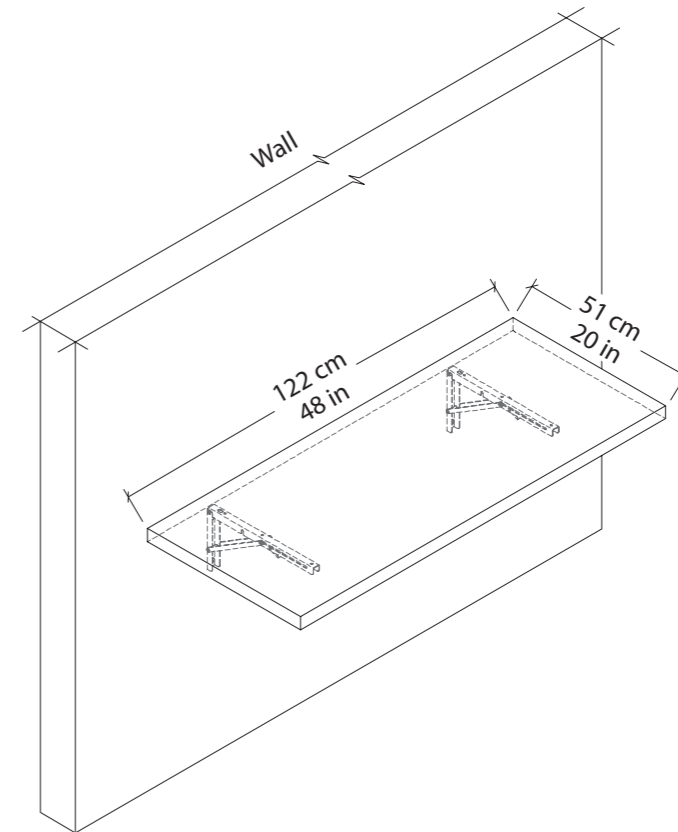
U.S. Polymers Inc.
1057 S. Vail Ave.
Montebello, CA 90640
United States of America

www.duramaxbp.com

SKU#68032-1 1 RD-1.0 30-08-2021



SPENCE 48" WALL MOUNTED FOLDING WORKBENCH / TABLE / DESK



IMPORTANT: READ CAREFULLY AND RETAIN FOR FUTURE REFERENCE

WARNING

Your safety and the safety of others is important to us. Failure to follow these guidelines can result in property damage or personal injury.

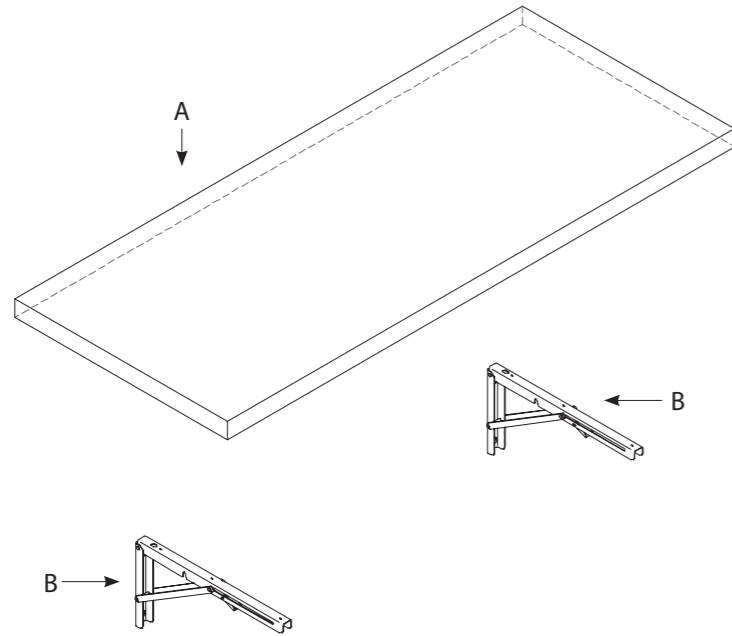
- The product is for indoor use only (Not for outdoor use).
- We strongly recommend that at least two or more adults move and install this unit.
- When installing directly into a non-concrete wall, do not attempt to install the bracket and wood top to the dry wall as this will not support the weight.
- Use a stud finder to locate studs and secure safely.
- Always wear appropriate personal protection equipment when using tools and follow manufacturer's operating instructions.
- Never apply more force/weight than the products published load limit.
- Do not make any modifications to the product.
- Never operate unless the unit is properly installed and secured to concrete wall or studs.
- Never allow children to operate, play on, underneath or around the workbench.
- The top load capacity is 220 lbs. of static weight evenly distributed over the top.
- The brackets must be anchored to 2" studs to perform correctly and to be able to support the weight capacity.
- This product must be securely mounted on a flat wall. Any misapplication of this product will void the warranty and the product will be deemed unsafe due to owner's installation error.
- If you do not feel comfortable installing this item, contact a licensed professional.



Customer Service: 1-888-444-0104 Monday - Friday: 8:00 a.m. - 4:30 p.m. PST

www.duramaxbp.com

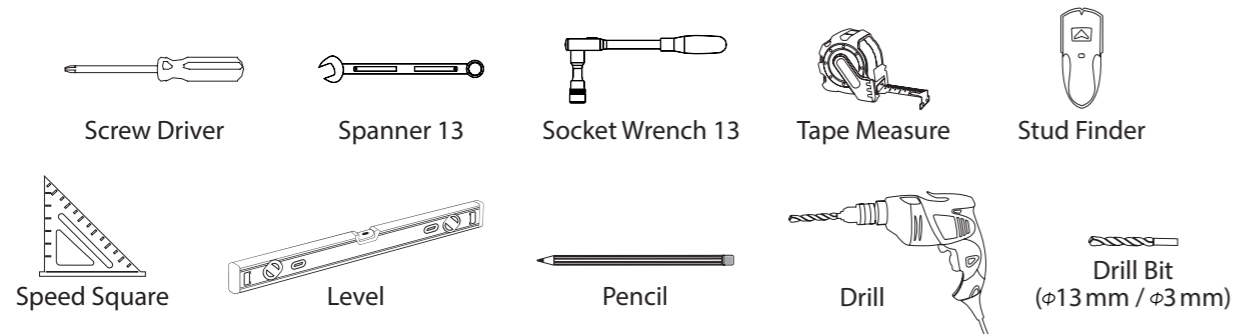
PARTS



PARTS LIST

A x 1 Wood Top			
B x 2 Mounting Bracket		D x 6 CSK Self Tapping Screw M5 x 90mm	
C x 4 Expansion Bolt M8		E x 6 Flat Head Screw M4 x 25mm	

Tools Required (Not Included)



ASSEMBLY INSTRUCTIONS

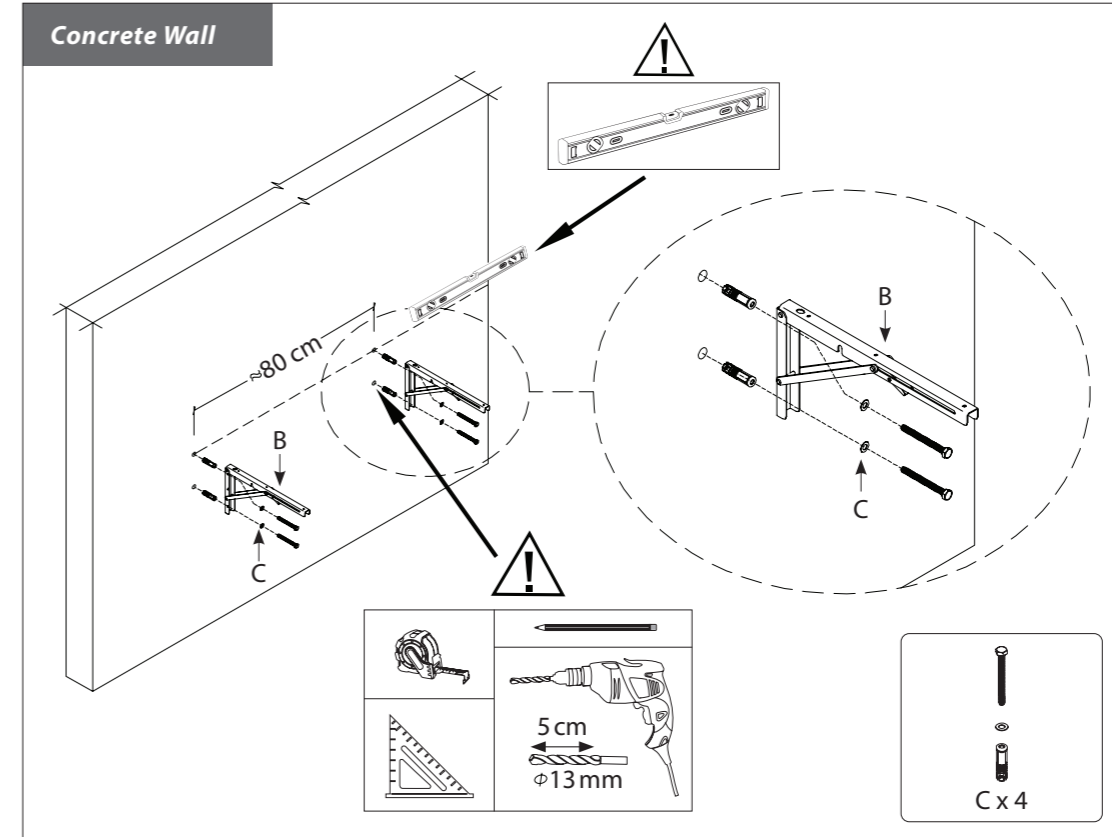


WARNING

BEFORE STARTING DETERMINE WALL TYPE AND FOLLOW INSTALLATION INSTRUCTIONS.

Dry Wall: Do not install brackets directly to dry wall as the surface will not support the weight and can cause serious injury.
Concrete Wall: If installing directly into concrete, use the hardware provided to secure the brackets and follow installation instructions.

Step 1

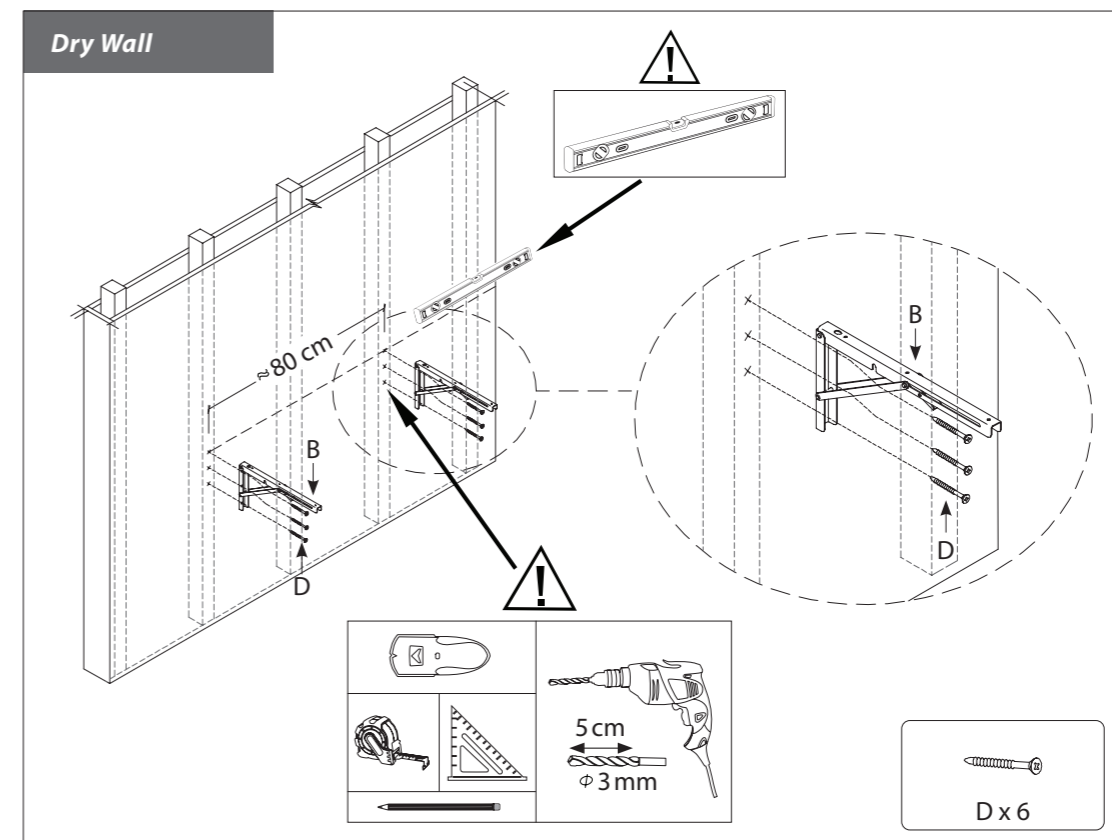


Note: Is your floor level?

IMPORTANT!

Use a Level to check if your floor is even before making your measurements.

- Determine and mark the desired height of the workbench on the wall with a pencil.
- Measure 2 3/4" down from your predetermined workbench height and pre-drill a hole with the 13mm drill bit.
- Secure bracket using bolts provided.
- Note: Distance between brackets should be approximately 80 cm.
- Repeat the previous process and install the second bracket.
- Use a level to make sure both brackets are level, and then pre-drill the remaining holes.
- Make sure the bolts are securely fastened.



Note: Is your floor level?

IMPORTANT!

Use a Level to check if your floor is even before making your measurements.

- Use a stud finder to find the closest studs and mark the locations.
- Determine and mark the desired height of the workbench on the wall with a pencil.
- Measure 2 3/4" down from your predetermined workbench height and pre-drill a hole with the 3mm drill bit.
- Secure bracket using screws provided.
- Note: Distance between brackets should be approximately 80 cm.
- Repeat the previous process and install the second bracket.
- Use a level to make sure both brackets are level, and then pre-drill the remaining holes.
- Make sure the screws are securely fastened.