

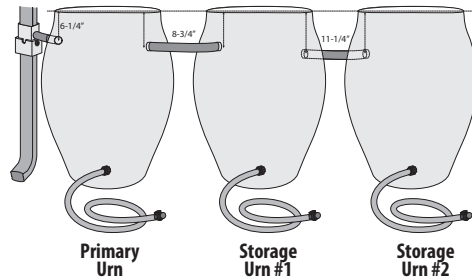
## Maximizing rainwater collection

Up to three Stoneware Urns can be linked together using *EMSCO's Linking Kit #2277* to gather the maximum amount of rainwater. To link Storage Urn #1, drill a hole in the primary urn (on the opposite side of the urn from the downspout) 2-1/2" down from the diverter tubing hole (8-3/4" from the top of the urn lip). Drill another hole at the exact same depth in Storage Urn #1 so that it faces the primary urn. It is important that these holes be level with each other to allow the water to flow in either direction. Place grommets in each of the two holes and connect with tubing, avoiding any bends, curves or kinks.

To add a second storage unit, drill a hole in Storage Urn #1 on the opposite side of the urn from the first hole. The second hole should be 2-1/2" lower than the first hole drilled (11-1/4" from the top of the urn lip). Drill a matching hole in Storage Urn #2 at the same level. Connect the two with grommets and tubing. Each urn's capacity will decrease as holes are added at 2-1/2" increments. While collecting rainwater, make sure the spigots are turned to the off position.

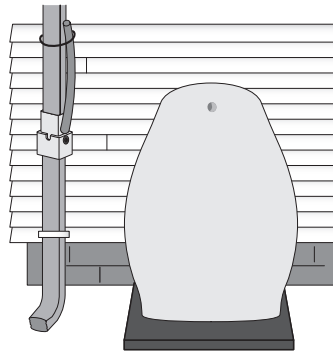


EMSCO Linking Kit #2277



## Preparing the urn for winter

To protect your stoneware urn from damage in climates where the temperatures drop below freezing in winter, it will need to be emptied and disconnected. Gently pull the tubing out of the urn opening. Use a string, wire tie or zip tie to secure the tubing to the downspout above the diverter with the loose end facing upward. Water from winter rain or melting snow will now flow in an uninterrupted path from the gutter and through the entire length of the downspout. Now, you can open the spigot and drain the water from the urn. Store the urn upside down or inside until spring.



with built-in  
planter

# Stoneware Urn

*Rainwater Collection System*  
85-gallon capacity

Innovation, Function, Quality and Service  
**EMSCO GROUP**  
[www.emscogroup.com](http://www.emscogroup.com)

© 2010 Emsco Group ER 801

**IMPORTANT – Read these safety warnings carefully before installation.**

Please read through all instructions before beginning the installation of your new Rescue™ Stoneware Urn. Improper installation, usage and maintenance may cause damage to your home/property or possible injury and/or death.

Emsco Group is not responsible for any damages or injuries caused as a result of or by improper installation.



**CAUTION – WARNING – HAZARDS**



**DURING INSTALLATION AND SET UP**

**Installation Hazards** – Stoneware Urns are for water collection and outdoor use only. No other uses are recommended. Downspout edges may be sharp. Wear protective gloves when cutting and handling downspouts to avoid cuts or scratches. Always wear safety glasses when doing cutting or drilling to prevent eye injuries. Protect the home's siding with a sheet of wood inserted between the downspout and the siding to prevent damage.

**Electrical Hazard** – If downspout contains heating cables, there is a potential electrocution or fire hazard during installation, which may cause serious injury or death.

**DURING USE**

**Drowning Hazard** – Children should NEVER be allowed to play on or near a Stoneware Urn. Nor should they climb on an urn. NEVER use the Stoneware Urn if it is cracked, warped, broken or damaged in any way. If any of these conditions exist, empty the urn and do not use. NEVER position the urn near a deck, stairs, chair or other structures or items that would allow a child to climb above or onto the urn.

**Water Contamination Hazard** – Drinking water from a Stoneware Urn may cause serious illness or death. DO NOT let people (or animals) drink water from an urn. Water in urn may become stagnant or contaminated. Use urn water only for watering plants or outdoor cleaning uses. DO NOT use for cooking, washing or in any way that may result in ingestion of the water.

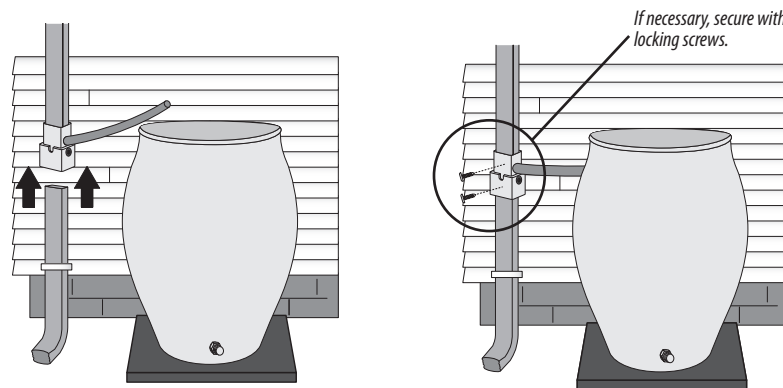
**Tipping Hazard** – If not properly set up, accidental tipping of your Stoneware Urn may occur causing personal injury or property damage. Preparing the area where your urn will be placed is important. It must be level and provide solid support. DO NOT place Stoneware Urn on any surface that is not flat and even. Always use a solid surface under the urn.

*As of 3/1/2009, the state of Colorado does not allow the use of rainwater collection systems.*

*Check your local ordinances for restrictions in using any rainwater collection device.*

inner ribs/bumpers of the diverter. If the downspout is inserted too far (more than 2") into the top of the diverter, it will block the upper chamber outlet hole and disrupt the flow of water into the urn.

Now, slide the lower portion of the downspout up into/onto the bottom portion of the water diverter until it stops. The enclosed locking screws attach both the top and bottom sections of downspout to the diverter for a more secure connection. When the diverter is in place and both downspout sections are now connected to the diverter, you can reattach the lower downspout bracket you removed earlier to secure the downspout to your house. (See illustration below)



**Attaching the downspout diverter tubing to the urn**

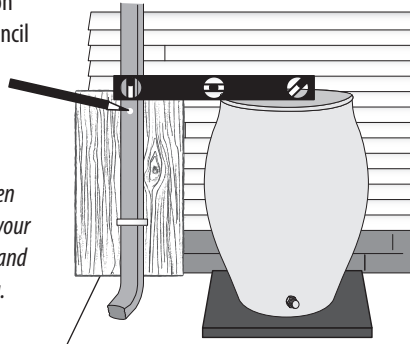
The loose end of the tubing coming from the diverter should be pulled gently towards the urn and inserted into the hole you drilled 6-1/4" from the top of the urn. Moisten the outside of tubing for easier insertion into the urn's inlet hole. Gently pull the tubing through the hole in the urn until it is level and straight between the diverter and the urn. Adjust the urn and tubing so there is no excess slack, kinks or bends. Once the tubing is in the proper position, it should extend no more than 2" into the urn. Trim off any excess.

When the diverter is installed at the same level in relation to the urn diverter tubing, it will fill the urn until full and allow excess water to bypass the diverter and flow down your downspout. Now is a good time to test your installation by spraying water from your garden hose onto your roof and observe water running into your urn.

**WARNING:** NEVER use the urn if it is cracked, warped, broken or damaged in any way. NEVER permit a child to play on or near or climb on the stoneware urn. Remember, a filled urn can weigh nearly 700 pounds.

## Marking downspout for diverter installation

After insuring the urn is level and in its final installation location, place a level on top of the urn and make a pencil mark on the downspout 2-1/2" below the bottom of the level. Using a tape measure, make a second mark 1" below the first one.



Remove lower bracket. Connection may vary. A slotted or Phillips screwdriver or a socket wrench may be needed.

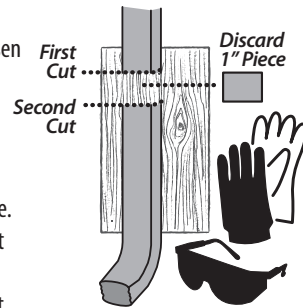
**TIP:** Place a scrap piece of plywood or cardboard between the house and the downspout before cutting to protect your home's siding. For the second cut, place the downspout and scrap wood on ground or work surface for easier cutting.

**CAUTION:** Always wear safety glasses when cutting or drilling to prevent eye injuries. Downspout edges may be sharp. Wear gloves to protect against cuts or scratches.

**WARNING:** If your downspouts and/or gutters contain heating cables, there is potential for electrocution or fire hazard during installation.

## Cutting the downspout for diverter installation

Remove the downspout bracket below your installation marks to loosen the downspout from your house (keep bracket handy as you will be reinstalling later). This will provide some clearance between the downspout and house to allow for cutting downspout.



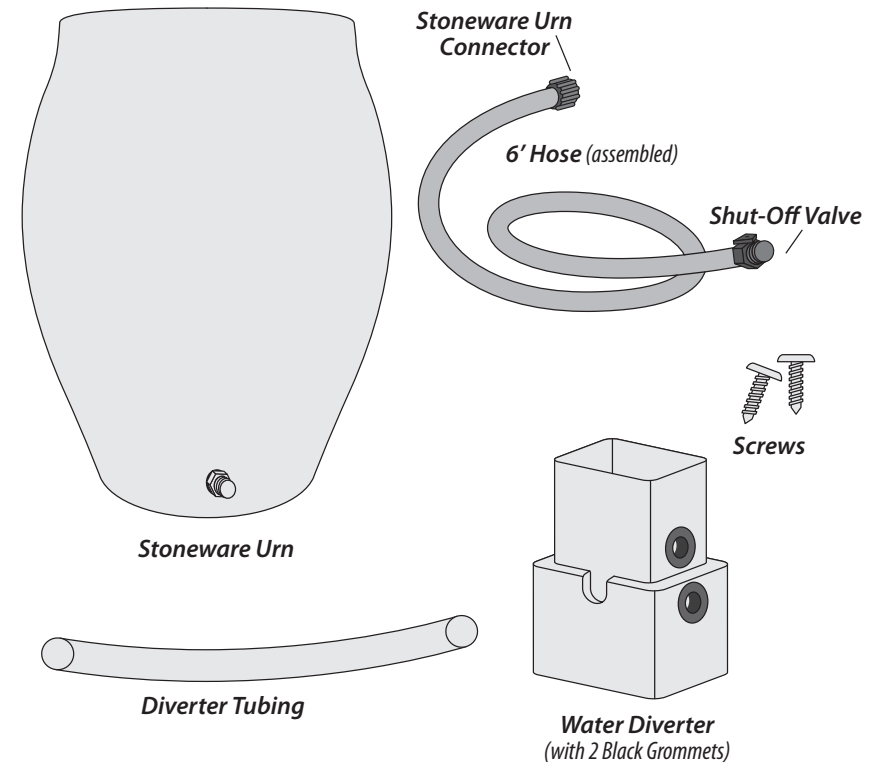
Using a hacksaw, cut the downspout at the first pencil mark you made. After the first cut is complete, remove the bottom piece of downspout from the house to make the second cut. Make your second cut on the second pencil mark and discard the 1" piece of downspout you cut out.

## Attaching the water diverter tubing to the downspout and urn

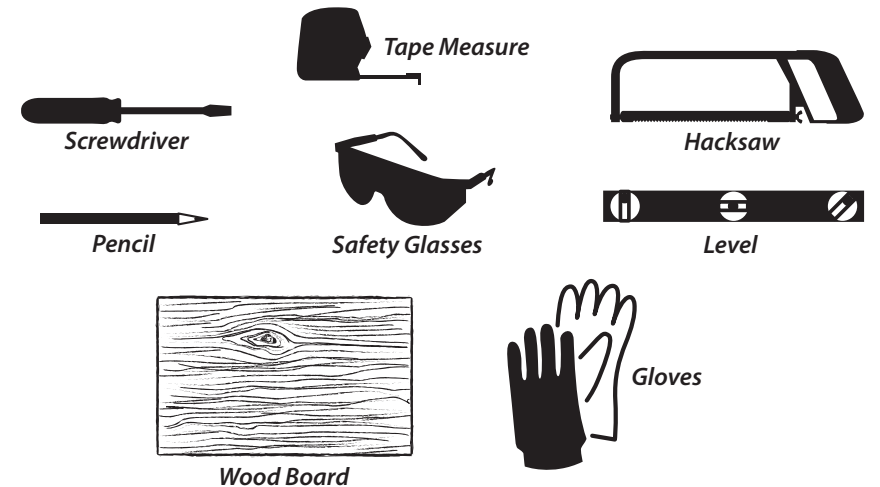
The diverter is to be installed on standard 2"x3" downspout with the *narrow* end facing up — or — on oversized 3"x4" downspout with the *wide* end facing up. Be sure to install the diverter with the diverter tubing holes on the side of diverter facing the urn. Once you have determined which downspout size you have and thus which end of the diverter faces upward (keeping the diverter tubing holes facing the urn), push diverter tubing into the top hole on the diverter. Moisten the outside of tubing for easier insertion into diverter grommet. Insert just the end of the tubing so it extends into the diverter no more than 1/4".

Next, slide the diverter UP onto the cut end of the downspout leading from the gutter above. You may need to flex the downspout slightly in order to get the diverter onto the downspout. Wear gloves to protect your hands from scratches or cuts. Push the diverter 2" onto the downspout until it contacts the

## PARTS INCLUDED



## TOOLS AND SUPPLIES NEEDED



## Positioning your stoneware urn

Position the urn near the desired downspout making sure planter drainage hole is at the back of the unit. Although the diverter tubing is 36", for best performance the urn should be positioned as close as possible to the downspout without bending or kinking the diverter tubing. **IMPORTANT** – When full, the urn will weigh approximately 700 pounds. In order for the urn to remain stable when in use and full of water, the ground **MUST** be level, flat and firm. Repositioning the urn is difficult once it is full of water.

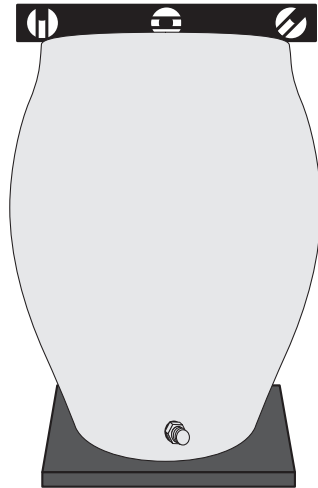
### FOR BEST RESULTS

*If leaves and debris in your gutters are a problem, we recommend installing gutter guards/screens. This will prevent any debris from entering the gutter and working its way into the downspout, potentially blocking the diverter tubing, diverter or both. Any debris small enough to get past the gutter guard/screen will pass easily through both the diverter and the diverter tubing.*

## Stabilizing target area

The base surface the urn sits on must be solid, stable, flat and level (side to side as well as front to back) and capable of supporting a full urn of water weighing close to 700 pounds. We recommend using **EMSCO's 24" x 24" Rain Barrel Pad #2192**, landscape blocks or a cement pad to provide a solid, stable and level surface. Once you have the urn fixed into its installation position, re-check for stability and level. You should test your location and make sure the urn will not fall over by filling the urn with your garden hose.

Once you have determined you have the urn in the optimum location and that it's level, the height of the urn cannot be changed. The position and height of the urn must be final before installing the diverter tubing.

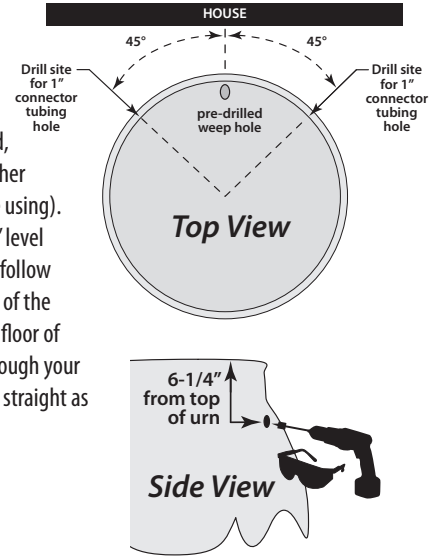


EMSCO Rain Barrel Pad #2192

## Preparing and installing diverter

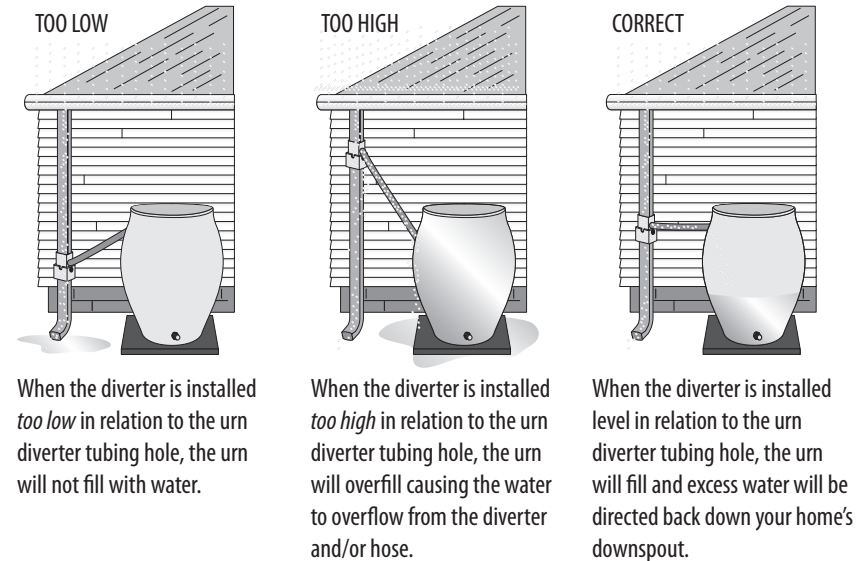
### Drill hole in urn for incoming water

In order to locate where to drill the diverter tubing hole, you should position the urn with the planter's weep hole facing your house (to hide it from sight). Once positioned, you need to mark a spot approximately 45 degrees on either side of the weep hole (toward the downspout you will be using). You will drill **ONLY ONE** 1" diverter-tubing hole. Using a 4' level across the top of the urn, measure straight down (do not follow contour of the outside of the urn) 6 -1/4" from the top lip of the urn and mark this spot. Check that this spot is below the floor of the planter area. Now drill the 1" diverter tubing hole through your mark. This will ensure that the diverter tubing will be as straight as possible without kinking when entering the urn.



## Locating position of diverter on downspout

For proper operation, the water diverter must be installed on the downspout at the same level as the urn tubing diverter hole drilled in the previous step.



*Emsco Group cannot be held responsible for basement leakage, foundation leakage or any resulting damage caused by improper installation of this rain collection urn and diverter kit.*