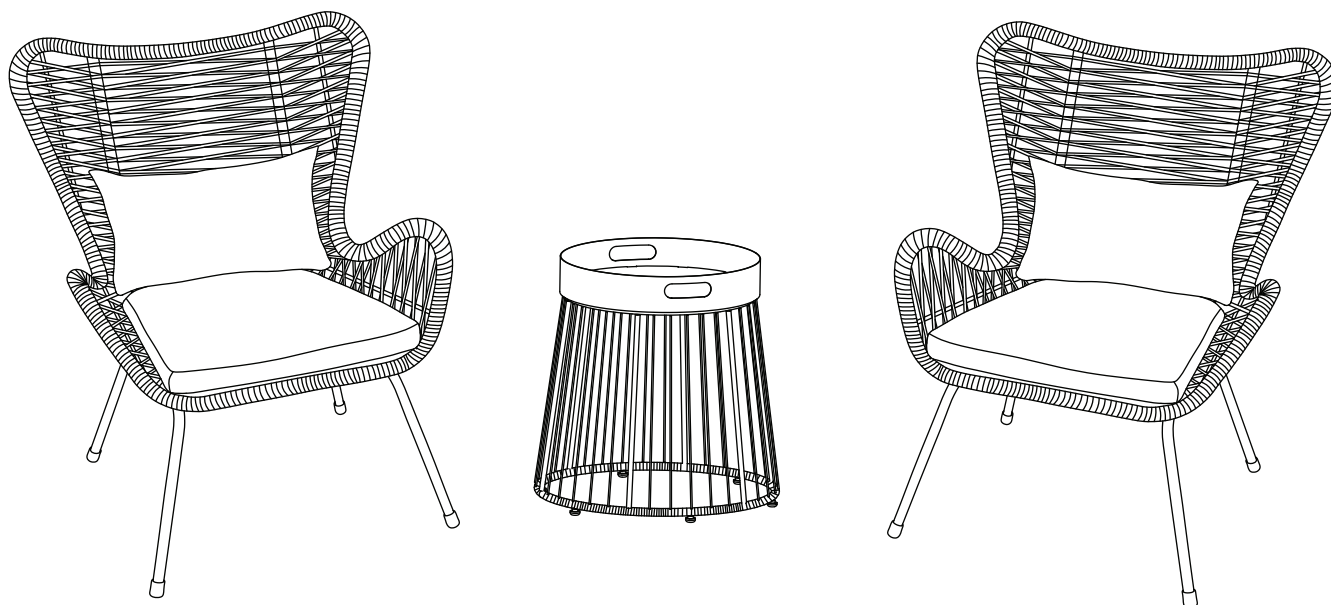


## USE AND CARE GUIDE

---

### CLOVER BROOK 3PC STEEL WOVEN BISTRO SET



Questions, problems, missing parts?  
Before returning to the store, call Customer Service  
8 a.m. - 7 p.m., EST, Monday - Friday, 9 a.m. - 6 p.m., EST, Saturday

1-877-527-0313

[HOMEDEPOT.COM](http://HOMEDEPOT.COM)

#### **THANK YOU**

*We appreciate the trust and confidence you have placed in StyleWell through the purchase of this set. We strive to continually create quality products designed to enhance your home. Visit us online to see our full line of products available for your home improvement needs. Thank you for choosing StyleWell!*


# Table of Contents


Table of Contents . . . . . 2  
Important Safety Instructions . . . . . 2  
    Save These Instructions . . . . . 2  
    Read All Instructions Before Use . . . . . 2  
Warranty . . . . . 3  
    What is covered . . . . . 3  
    What is not covered . . . . . 3

Pre-Assembly . . . . . 3  
    Planning Assembly . . . . . 3  
    Hardware Included . . . . . 4  
    Chair Package Contents . . . . . 4  
    Table Package Contents . . . . . 5  
Chair Assembly . . . . . 6  
Table Assembly . . . . . 7  
Care and Cleaning . . . . . 7

## Important Safety Instructions

### SAVE THESE INSTRUCTIONS

 **WARNING:** THIS SET IS MADE FOR THE EXPLICIT PURPOSE OF PROVIDING OUTDOOR FUNCTIONS AND IS NOT TO BE USED AS A TOY. THIS PRODUCT IS INTENDED FOR NORMAL OUTDOOR USE; HOWEVER, THE MANUFACTURER RECOMMENDS STORING AND/OR COVERING THIS PRODUCT WHEN ANY FORMIDABLE/SEVERE WEATHER IS APPROACHING.

 **WARNING:** DO NOT LOCATE THIS PRODUCT NEAR OPEN FLAMES. DO NOT USE THIS PRODUCT AS A SUPPORT. DO NOT SHAKE, LEAN OR CLIMB ON THE PRODUCT. CHILDREN UNDER THE AGE OF 10, NEAR THE PRODUCT, SHOULD BE SUPERVISED BY A COMPETENT ADULT AT ALL TIMES. THIS PRODUCT IS NOT INTENDED FOR COMMERCIAL USE AND WILL VOID THE WARRANTY.


### READ ALL INSTRUCTIONS BEFORE USE


To reduce the risk of injury to persons:

1. Close supervision is necessary when this furnishing is used by or near children, or disabled persons, if applicable.
2. Use this furnishing only for its intended use as described in these instructions. Do not use attachments not recommended by the manufacturer.
3. Do not move the chair while it is occupied. Failure to obey this caution could result in injury.


 **CAUTION:** When not in use, secure the product in a cool and covered location.

 **CAUTION:** Do not locate the product near any heat sources.

 **WARNING:** Weight limit for the chair is 250lbs (113.39Kg) for each seat.

 **WARNING:** Please keep children out of the assembly area before assembly.

 **WARNING:** This chair/ table unit is heavy, and may require two adults for safe assembly.

 **WARNING:** Never use this product as a support. Do not shake, lean, or climb on the product at any time.

 **WARNING:** Do not place heavy objects on the chair or table.

## Warranty

---

### 1 YEAR FRAME AND 1 YEAR FABRIC LIMITED WARRANTY

#### WHAT IS COVERED

We warrant the frames to be free of manufacturing defects to the original purchaser for one year, and a one year limited warranty for the fabric.

#### WHAT IS NOT COVERED

It remains the customer's responsibility for freight and packaging charges to and from our service center. This warranty does not cover commercial use, hardware, acts of nature, fire, freezing and abusive use. In addition, purchased parts are not covered under this warranty. We reserve the right to make substitutions with similar merchandise, if the model in question is no longer in production.

Contact the Customer Service Team at 1-877-527-0313 or visit [www.HOMEDEPOT.COM](http://www.HOMEDEPOT.COM).

## Pre-Assembly

---

### PLANNING ASSEMBLY

Read all instructions before assembly.

To avoid damaging this product, assemble it on a soft, non-abrasive surface such as carpet or cardboard.



**NOTE:** More than one person may be required to assemble this product.

# Pre-Assembly (continued)

## HARDWARE INCLUDED



NOTE: Hardware not shown to actual size.



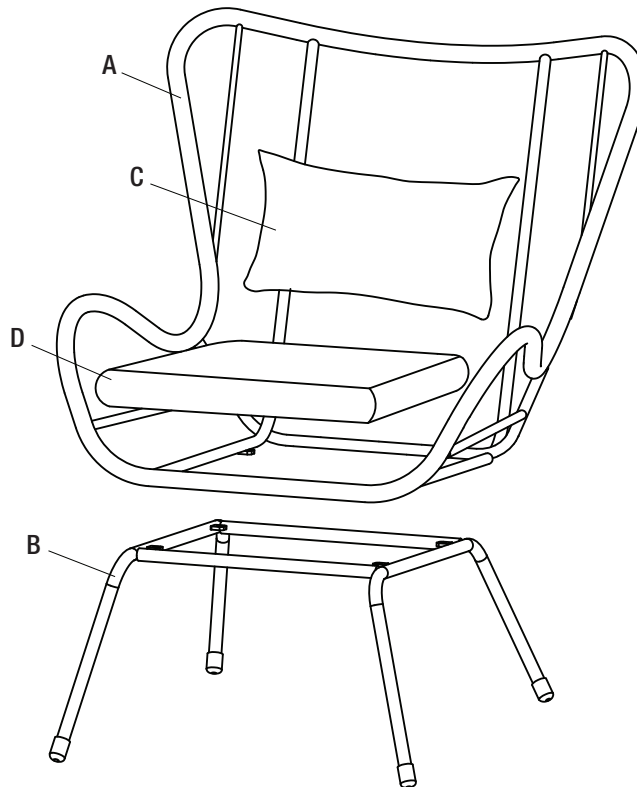
\_\_\_\_\_ AA



\_\_\_\_\_ BB

Part	Description	Quantity
AA	M6x20 Combination Bolt	8+1
BB	Hex Wrench	1

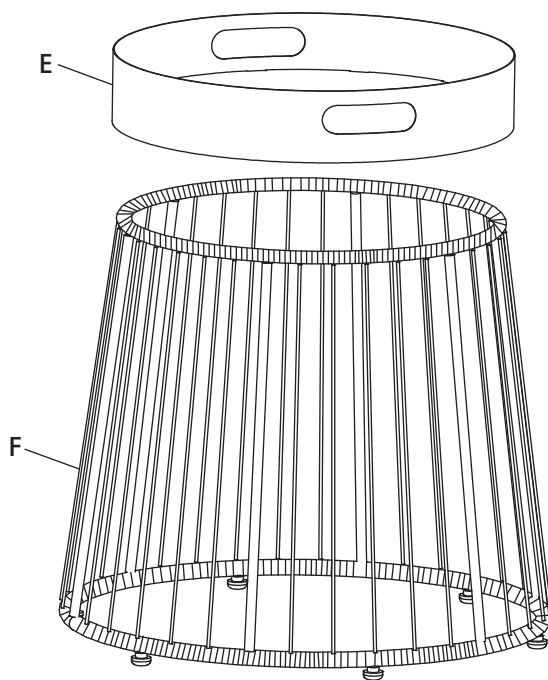
## CHAIR PACKAGE CONTENTS



Part	Description	Quantity
A	Chair Bucket	2
B	Chair Base	2
C	Pillow	2
D	Seat Cushion	2

# Pre-Assembly (continued)

## TABLE PACKAGE CONTENTS



Part	Description	Quantity
E	Table Top	1
F	Table Base	1

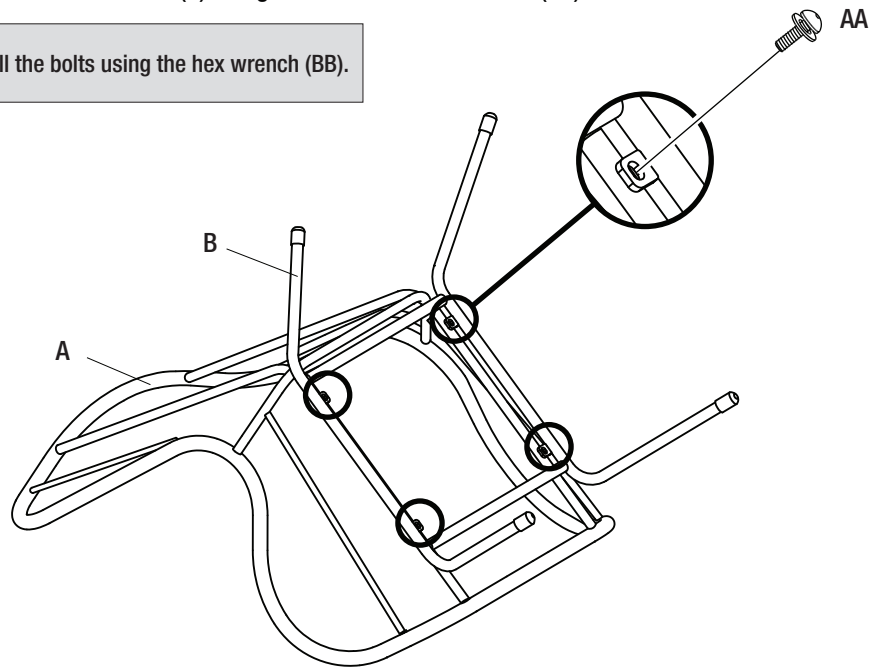
# Chair Assembly

## 1 Attaching The Chair Base To The Chair Bucket

- Place the chair bucket (A) upside down on a soft surface.
- Attach the chair base (B) to the chair bucket (A) using M6x20 combination bolts (AA).

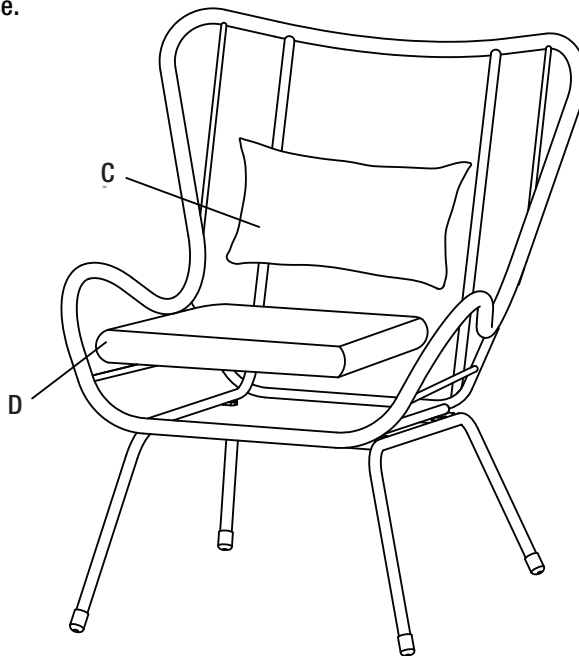


**NOTE:** Loosely tighten all the bolts using the hex wrench (BB).



## 2 Tightening All Bolts

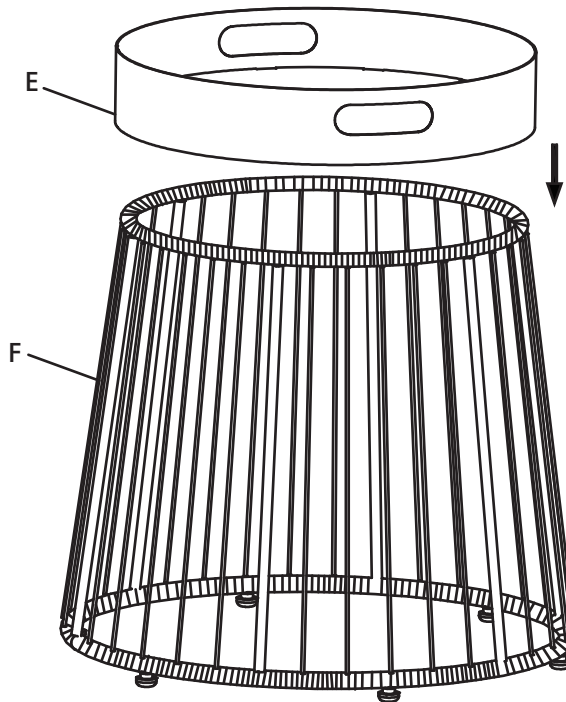
- Once all of the bolts are in place, fully tighten the bolts using the hex wrench (BB).
- Turn the chair right side up.
- Put the pillow (C) and the seat cushion (D) on the chair.
- Ensure all connections are secure before use.



## Table Assembly

### 1 Put the table top onto the table base

- Put the table top (E) onto the table base (F).



## Care and Cleaning

- For best results, clean the frame and cushions with a damp cloth and dry thoroughly. This will help prevent mildew by removing dirt particles that may accumulate.
- Do not clean with abrasive materials, bleach or solvents.
- Store the set in a dry, sheltered place when not in use.
- Keep the set out of fire, extreme heat, freezing conditions, and inclement weather as rain, hail, sleet, snow, or wind.

# StyleWell™

Questions, problems, missing parts? Before returning to the store,  
call StyleWell Customer Service  
8 a.m. - 7 p.m., EST, Monday - Friday, 9 a.m. - 6 p.m., EST, Saturday

**1-877-527-0313**

**HOMEDEPOT.COM**

Retain this manual for future use.

For certification use only
Factory Chair ID# FRS50468C
Factory Table ID# FWS70464B