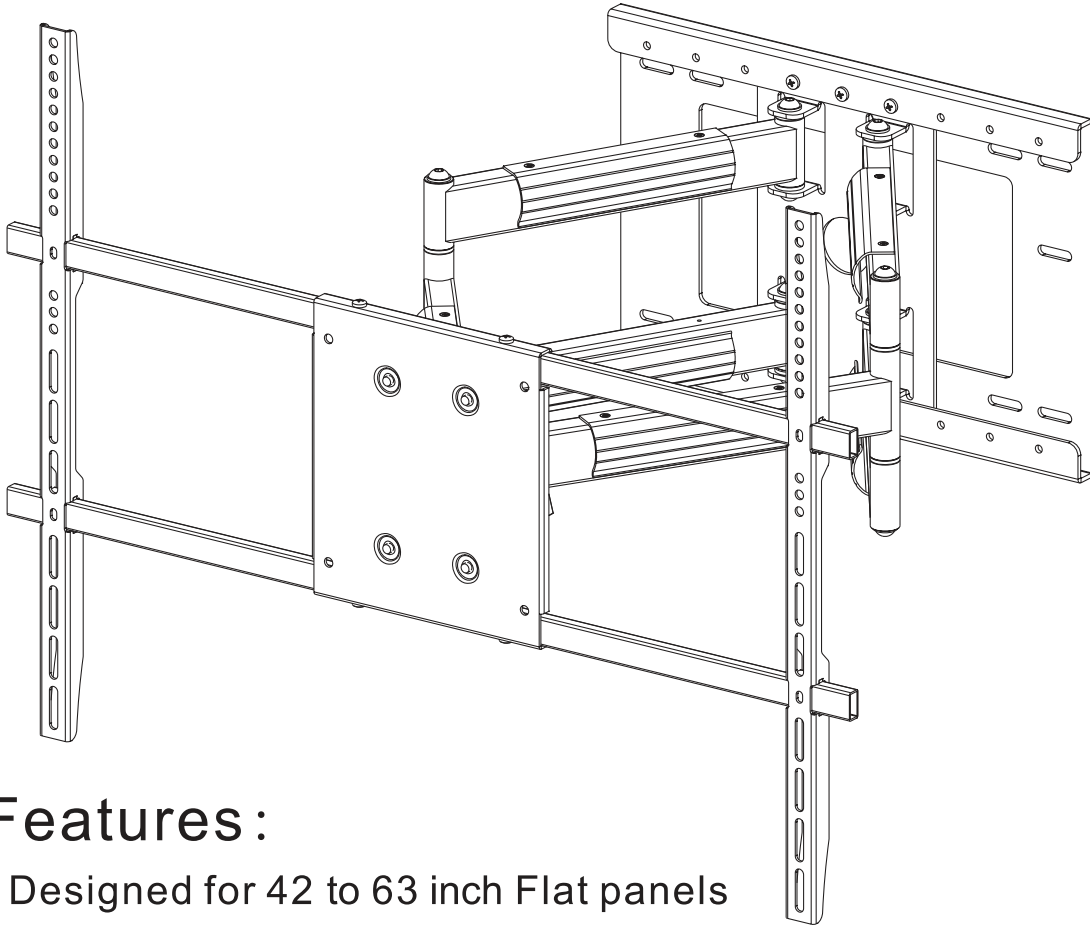




Installation Instructions

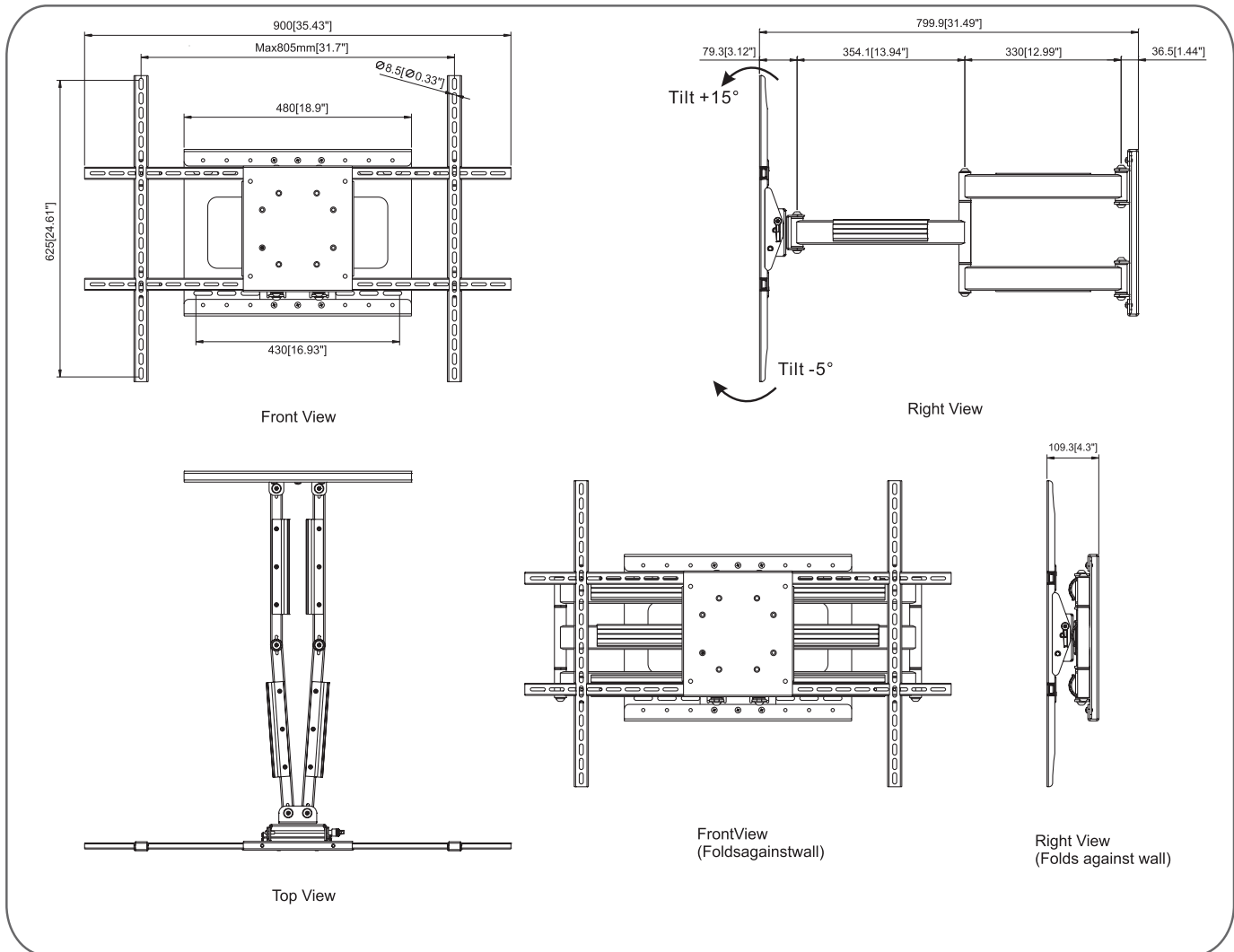
AEON-1116 Universal Cantilever Mount



Features :

- Designed for 42 to 63 inch Flat panels
- VESA Compliant: Up to 800x600mm
- Maximum weight capacity up to 200 lbs
- Lift and lock for easy installation
- U-cap system for clean and simple cable management
- Up 5° and Down 15° of easy tilt
- Three pivot points with up to 180° swivel

AEON-1116 Flat Panel Display Cantilever Mount



Features:

- Ideal for displays from 42" –63" flat panel displays
- VESA Compliant: 400x200mm to 800x600mm
- 200 lbs (90.8 kg) max weight capacity
- Provides optimum viewing angles
- Offers 180° of swivel on wall
- Low profile design: folds against the wall
- Ball joint design at screen for easy side-to-side movement and +15°/-5° of tilt
- Extends 800mm(31.5")from the wall;
Retracts to 109.3mm(4.3") to save space
- Integrated cable management
- Includes hardware for installation to wood stud or concrete wall



WARNING

THE WARRANTY WILL ONLY BE VALID IF YOU FOLLOW THE INSTRUCTIONS CAREFULLY.

Please do not begin installation until you have thoroughly read and understood these instructions. Improper installation may cause serious injury and/or damage. It is recommended that a qualified contractor install the AEON-1116 Universal Cantilever Mount.

Make sure that the wall you plan to use will safely support four times the combined weight of the mounted equipment, including its accessories.

The AEON-1116 Universal Cantilever Mount supports LCD and Plasma Flat Panel Displays from 42" to 63" and supports a maximum load of 90.8 kg (200 lbs).

This products suits displays with 800mmx600mm (31.5 x 23.6 inch) mounting hole patterns.

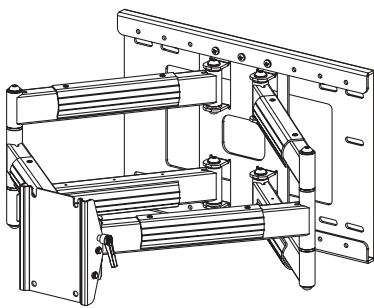
A second person will be required to assist with several steps.

The manufacturer does not accept responsibility for incorrect installation.

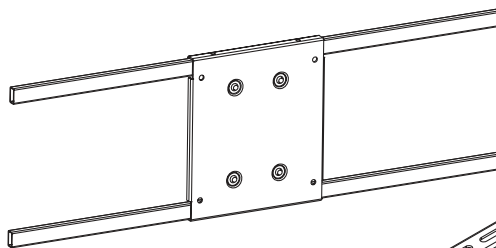
Tools Needed for Assembly

- Stud finder ("edge to edge" stud finder is recommended)
- Phillips screwdriver
- Pencil
- Hammer Drill (Concrete installation only)
- 1/4" drill bit for wood studs, 3/8" drill bit for concrete
- 7/16" socket wrench or bit driver for wood screws
- Level
- Tape measure

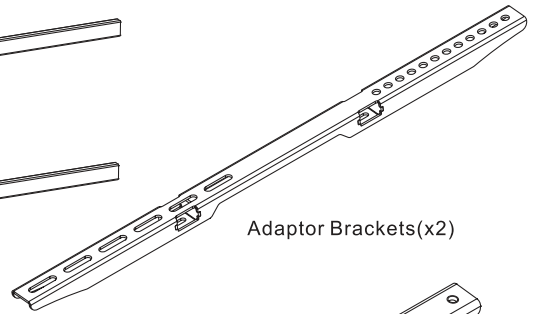
Component Checklist



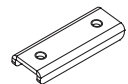
Mount Arm assy(x1)



Adaptor plate body(x1)



Adaptor Brackets(x2)



Slider plate(x4)

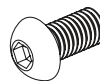
Bits Bag



Lag Bolt
8*70mm(x4)



Metal washer Ø6 (x8)



Socket pan head screw
M8*15mm (x4)



Metal washer Ø8 (x4)



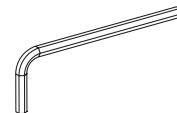
Anchor(x4)



Spacer (x4)

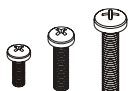


Phillips head screw
M6*12mm (x4)



5mm Allen Key (x1)

Mounting Screws(Cross Recess)



M5x16mm (x4 each)

M6x16mm (x4 each)

M8x35mm (x4 each)

Step 1 Mounting the mount arm assy

A. Mounting to Wooden Studs

The AEON-1116 Cantilever mount can be mounted onto two wooden studs, with center to center distances between 16" (406mm). Using an electronic stud finder (Fig. 1), locate the center of the two wooden studs at the desired mounting location. Mark the stud center positions directly on the wall. Connect the stud marks with a horizontal line and find the center between them to represent where you wish the center of the screen to be located. Be sure to measure and mark the center of this horizontal line.



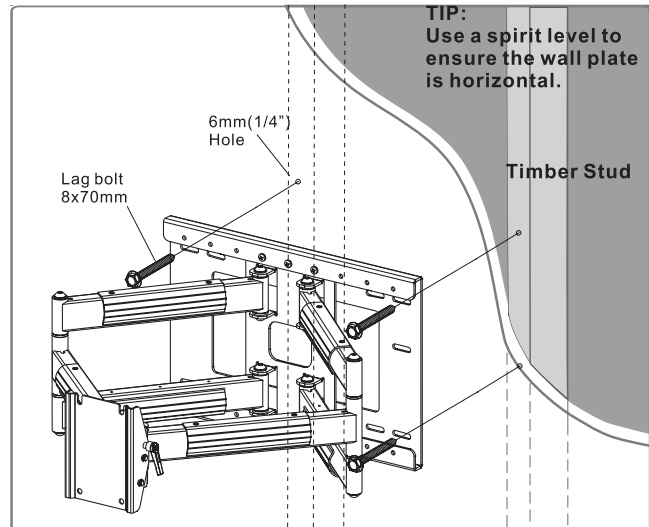
Fig.1

Place the wall plate on the wall, Pin the wall plate to the center mark on the wall. Using a level (bubble or laser), level the guide, and then press the adhesive backing against the wall to hold the guide in place.

Using a 1/4" (6 mm) drill bit, drill 4 pilot holes into the center of the studs (through the mounting hole cut-out sections of the template), down to a depth of 3" (76 mm).

Notes:

Tighten lag bolts so that wall plate is firmly attached to wall, but **DO NOT** over tighten. The lag bolts can be damaged by over tightening which will strip their threading. Final tightening of lag bolts should be done by hand using a ratchet wrench and socket.



B. Mounting to Concrete/Masonry

Place the wall plate on the wall, Pin the wall plate to the center mark on the wall. Using a level (bubble or laser), level the guide, and then press the adhesive backing against the wall to hold the guide in place.

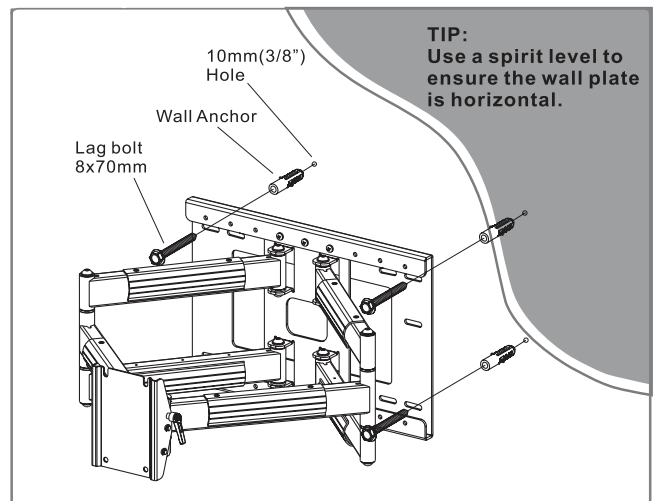
Using a 3/8" (10 mm) masonry drill bit, drill 4 mounting holes 3 1/8" (80 mm) deep into the concrete/masonry surface.



Fig.2

Notes:

Tighten lag bolts so that wall plate is firmly attached to wall, but **DO NOT** over tighten. The lag bolts can be damaged by over tightening which will strip their threading. Final tightening of lag bolts should be done by hand using a ratchet wrench and socket.



Step 2 Assemble the Adaptor Plate

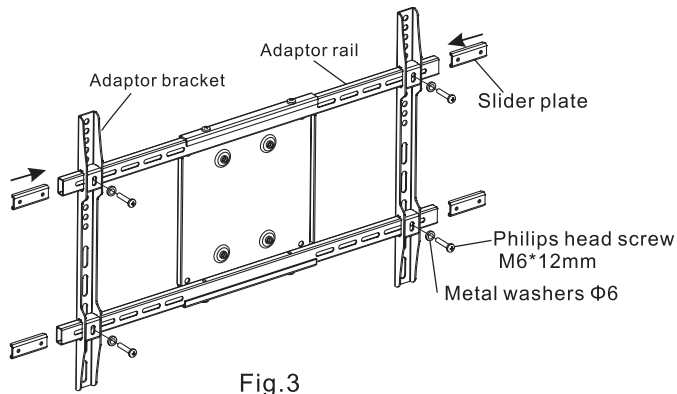


Fig.3

Insert Slider plate(x4) into adaptor rails, then insert the adaptor bracket into adaptor rail, fix adaptor bracket and slider plate with four philips head screw M6*12mm and four metal washers $\Phi 6$ using Philips headscrew driver as shown Fig.3.

Fixed the adaptor bracket onto the display with the selected mounting screws, square washers, and any required spacers.

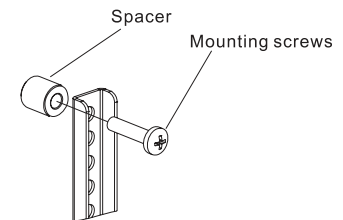
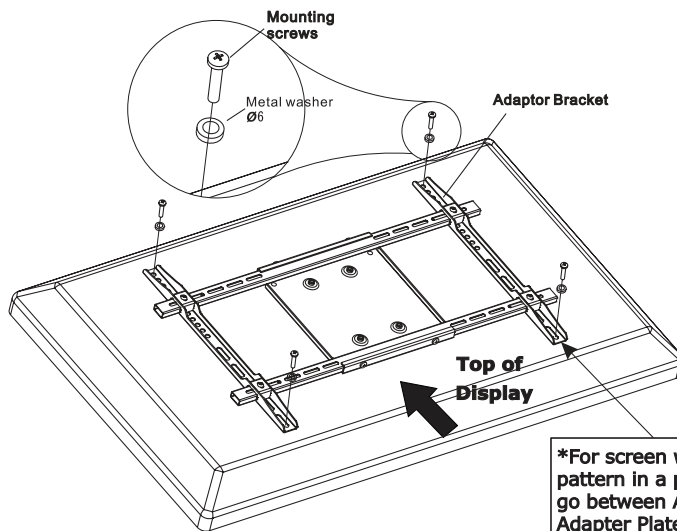
Now slide the opposite mounting rail into position, align it with the mounting holes, and secure with the mounting hardware.

Note:

Recessed Mounting Holes. If the mounting holes are recessed into the back of the display, use the supplied spacers to pack the recessed hole. Ensure that the hook brackets are securely fixed to the display.

Caution:

Make sure to use the correct length mounting screw for your TV. A screw that is too long might damage your TV. Hand tighten the mounting screw first to make sure it is the correct length.



Step3 Attaching the display to the mount

BY HAND, insert two socket pan head screw M8*15mm and metal washer $\Phi 8$ mm into threaded holes on the adaptor panel as shown Fig.4. Leave approximately 3/8" of exposed thread.

With the help of an assistant, carefully lift the display and attach it to the mount head cautiously.

Tighten the screws as shown Fig.5.

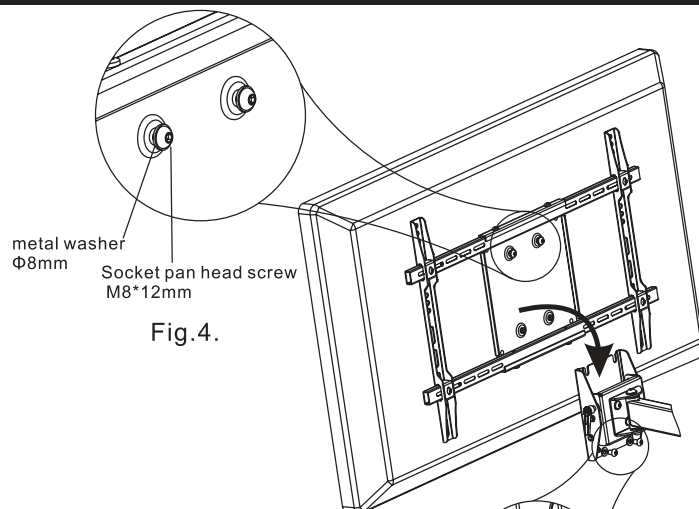


Fig.4.

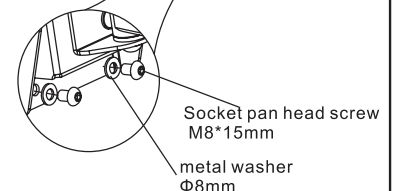


Fig.5.

Step 4 Using Cable Management

The AEON-1116 includes a cable management system where cable can be routed along the length of the arm assembly. Route the display cable along the entrance of the cable management slot.(Fig.6)

Note: For optimal performance, route the AC power cable separately from the signal cables.

With all cables in place, pull the display in and out to be certain that the arm assembly moves freely, without stretching or damaging the cables.

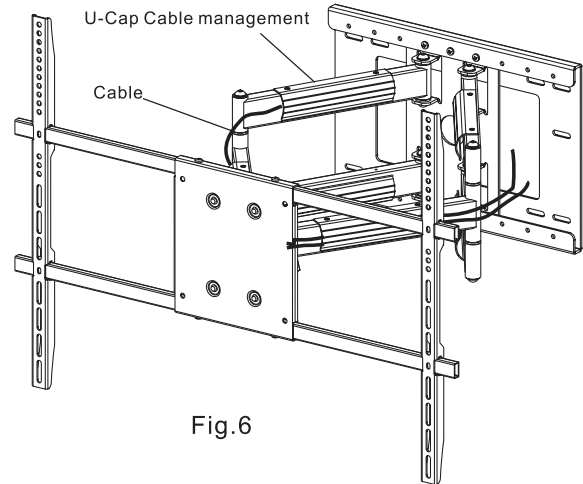


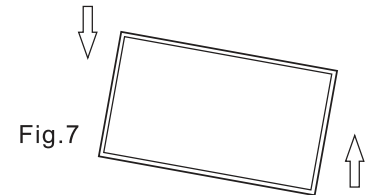
Fig.6

Step 5 Adjusting the Display

The AEON-1116 provides a wide range of adjustment possibilities to suit your environment.

Roll Control - Horizontal leveling of the flat panel display.

Grasp the edge of the display and roll it up or down into a level position (Fig.7).



Tilt Adjustment - Raising or lowering the screen to improve viewing angle.

Grasp the upper and lower edges of the display, and then turn it to the desired tilt angle(Fig.8).

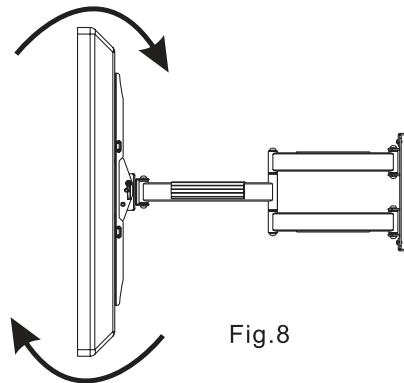


Fig.8

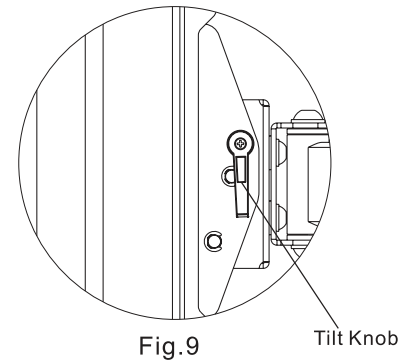


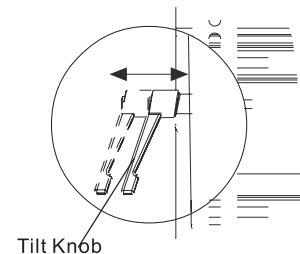
Fig.9

Tilt Knob

To lock the tilt angle, tighten the tilt knob (Fig.9) securely.

NOTE: For heavier displays, never fully release the tilt knob without fully supporting the display.

The tilt lever includes a ratchet function, so that it can be lifted and repositioned for the next turn. To operate the ratchet, pull the lever straight out, rotate it to an unobstructed position, release the lever, and then turn it in the desired direction. Repeat as necessary until the tilt tension is set properly (Fig.10)



Tilt Knob

Fig.10

Swivel- Adjust the flat panel display for off center viewing positions. Grasp the side edges of the display and then swivel display into its desired position (Fig.11).

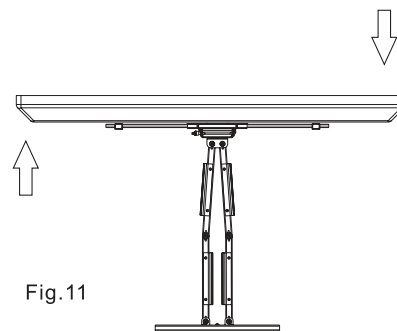


Fig.11

Panning - Positions the flat panel display at an angle to the wall for viewing from opposite sides of the room. Grasp the side edges of the display and then swivel and pull the display into desired position (Fig.12).

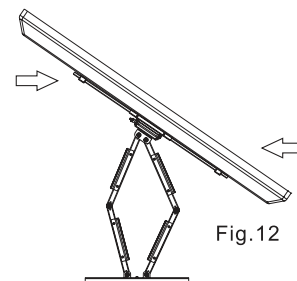


Fig.12

Retracting the Flat Panel Display - Positions the display against the wall.

Grasp the side edge of the display, swivel and pull the display into the center position (Fig.13), and then gently push the display straight back towards the wall into the retracted position (Fig.14).

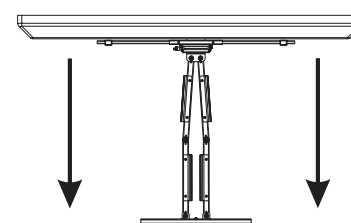


Fig.13

Note: Use care when moving the display to ensure that cables do not become stretched or pinched.



Fig.14

Horizontal Adjustment: To adjust the TV mount for perfect centering or corner mounting, use the Horizontal Adjustment feature. Remove your television from the mount before attempting to adjust. After TV has been taken off the mount, remove the 4 to 6 screws that hold the arms to the back wall panel. Move the arms left to right in the back panel grooves to align your mount in the perfect position. Replace the screws in the new position and mount your television to review your adjustment. Repeat if needed. (Fig. 15)

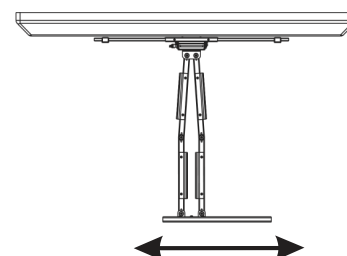


Fig.15

Important Note: Do NOT attempt to adjust the TV Mount horizontally with the TV attached to the mount. Failure to remove the TV may cause injury and / or damage.

Maintaining the AEON-1116 Universal Cantilever Mount

The arm assembly and wall plate may be cleaned with a soft sponge and mild solution of soap and water.

Caution: Be sure not to get moisture on the electrical connections or the display.