

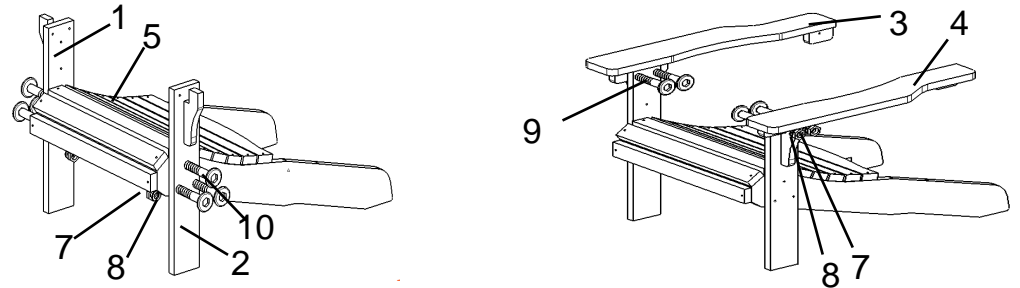
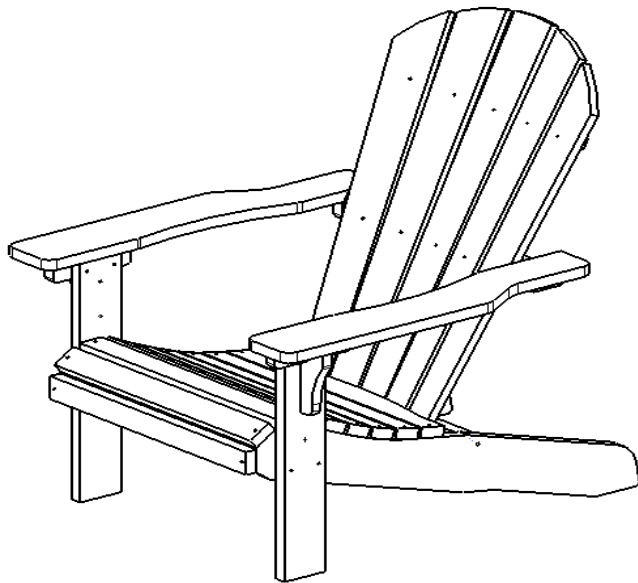


Thank you for choosing Sunnydaze Decor. If you have any questions, comments or concerns please feel free to contact us by phone at: **888-881-4668**, by email: customerservice@serenityhealth.com, or you could also email us via our contact us page at: www.SerenityHealth.com/contact_us.php.

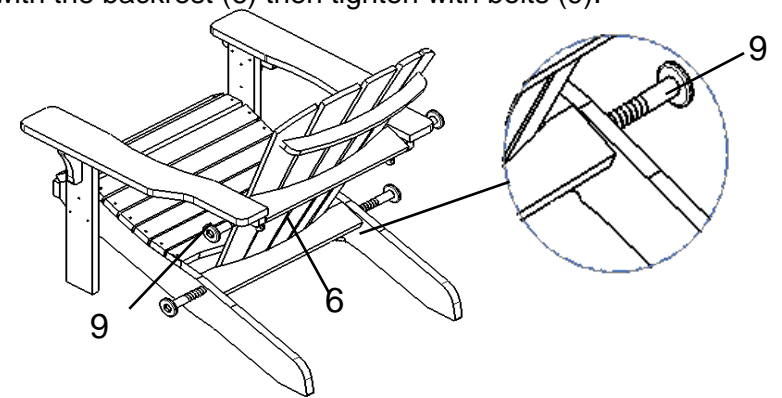
We stand behind our brand and the quality of the items we sell. We will send new parts, or replace products at our discretion within the one year warranty period. Before we can help, you will need to provide proof of purchase with the date of purchase and photos of the defective merchandise. We will use the photos to determine the cause of defect and for future quality control.

All - Weather Adirondack Chair

- STEP 1 Check that you have all of the parts according to the part list.
- STEP 2 Put together the legs (1) and (2) with the chair seat (5) then tighten with bolts (10).
- STEP 3 Put together the legs (1) and (2) with the chair arm (3) and (4) then tighten with bolts (9).



- STEP 4 Put together the chair seat (5) with the backrest (6) then tighten with bolts (9), the chair arm (3) and (4) with the backrest (6) then tighten with bolts (9).



Assembly Instructions:

9 M6X50MM bolt 10 M6X55MM bolt

