



CORR/GUARD 3CGVPHK3 & 3CGVPHK4 VENT KIT INSTALLATION INSTRUCTIONS

The 3CGVPHK3 (2" x 4" wall construction) and 3CGVPHK4 (2" x 6" wall construction) vent kits are used for horizontal vent installation through exterior walls. These sealed combustion vent kits are to be used with approved Direct Vent Tankless Water Heaters only. Refer to the Owner's Use and Care Manual provided with the tankless water heater for additional installation considerations and directions.

THROUGH WALL INSTALLATION:

A wall thimble is not required when penetrating finished exterior walls. The vent has been tested to zero (0) inches clearance to combustible surfaces and should not exceed a maximum 330°F (177°C) outlet temperature. Cut a 5-1/2" to 6" diameter hole in the exterior wall for the vent penetration.

When penetrating walls for new construction an adjustable wall thimble can be used and purchased separately (Metal-Fab part number 3CGVWPKS). The thimble is not included in these kits. Install the adjustable telescopic wall thimble between 16" on-center exterior wall framing as shown in **FIG. 1**, using the (8) #8 x 1" wood screws provided with the thimble. The thimble can adjust from a minimum distance of 3" to a maximum distance of 5-1/2". It has an interior half and exterior half. The interior half has a 1/2" collar to accommodate interior wall materials such as sheet rock. The exterior half has a 1" collar to accommodate exterior wall materials such as stucco.

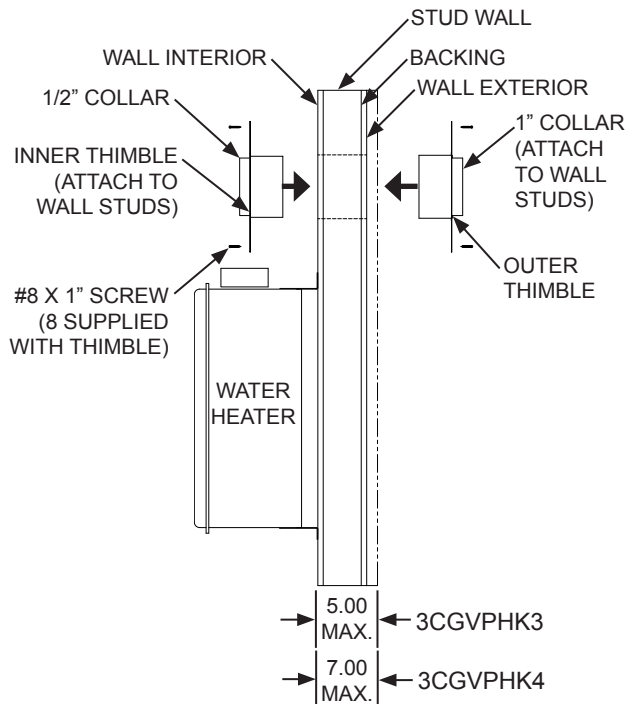


FIG. 1

VENT INSTALLATION:

Attach the 90 degree elbow to the appliance using (3) each #8 x 1/2" long sheet metal screws provided as shown in **FIG. 2** and **FIG. 3**. Slide the termination through the thimble from the exterior side of the wall into the elbow joint.

If the joint assembly between the elbow and termination is located within the wall thimble, secure the joint with the 3 straps that are attached to the termination and are exposed on the interior side of the wall. The (3) straps can be secured with (3) each #8 x 1/2" long sheet metal screws through the holes located in the straps and into the casing of the elbow. If the joint assembly between the elbow and termination are exposed, the joint connection can be secured with the (3) each #8 x 1/2" long sheet metal screws through the (3) holes located on the female casing end.

Apply a bead of silicone between the stucco and trim ring that floats on the termination and attach the trim ring to the exterior wall surface. Apply a bead of silicone between the interior wall and trim ring. Attach trim ring to interior wall surface (See **FIG. 3**).

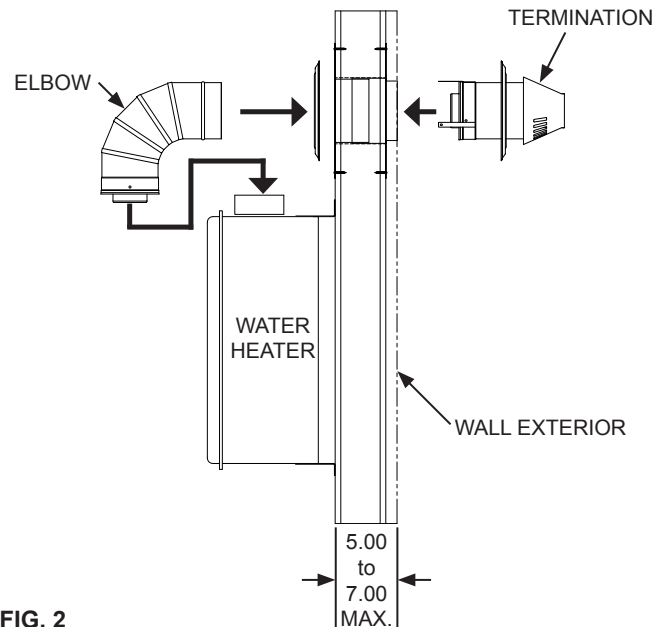


FIG. 2

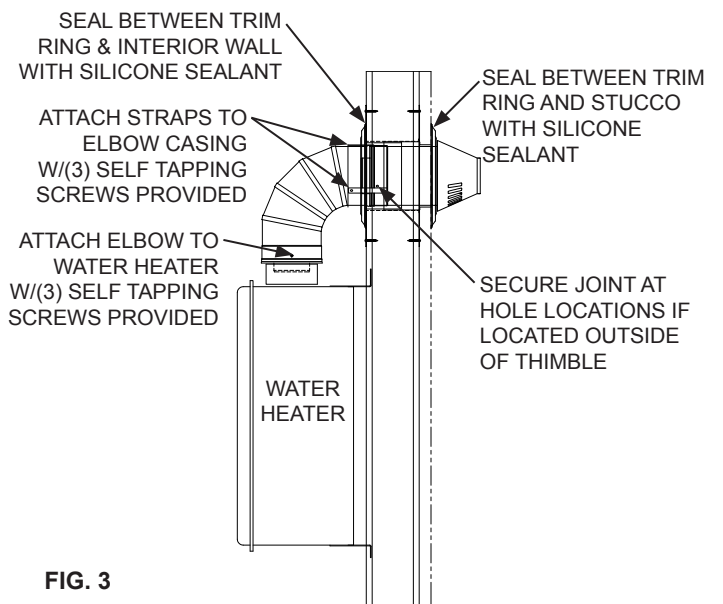


FIG. 3