

Use and Care Guide

Floating Wall Shelf

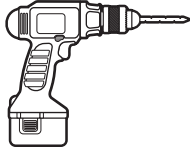
Item # See page 2
 Model #

HOME
 DECORATORS
 COLLECTION

TOOLS REQUIRED



Phillips screwdriver



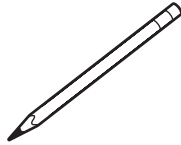
Power drill



3/16 in. drill bit



Level

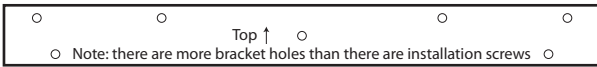


Pencil



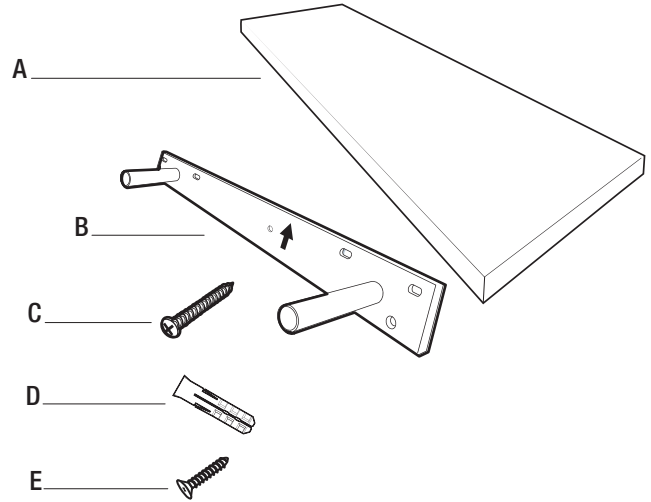
Stud Finder
(optional)

! Make sure that at least one screw will be installed into a wall stud for best results.



- Helpful Hint:
Use stud finder to locate wall studs to hold the maximum weight.

PACKAGE CONTENTS

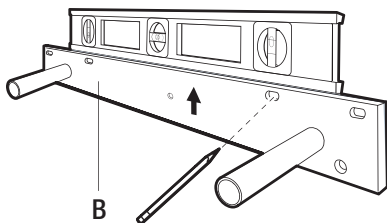


Part	Description	24 in	36 in	42 in
A	Shelf	1	1	1
B	Backplate	1	1	1
C	Screw	6	6	6
D	Drywall anchor	4	4	4
E	Set screw	2	2	2

Installation

1 PREPARING FOR INSTALLATION

- Find desired location to install shelf. Use stud finder to locate wall studs.
- Template for easy installation: Affix the template on the wall in the desired location. Using a level, adjust the template until straight, then attach the template to the wall. Mark the screw indicator holes and remove the template.
- Ensure that arrow located on backplate (B) is pointing up. Align backplate with holes. Double check backplate with a level and re-mark holes if necessary. Remove backplate.

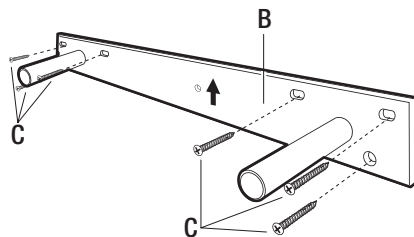


! **IMPORTANT:** Do not pre-drill holes into a stud.

! **IMPORTANT:** Templates will have 7 or more possible hole locations. Only 6 screws are provided in hardware. Decide prior to drilling which 6 hole locations will be used for installation of backplate.

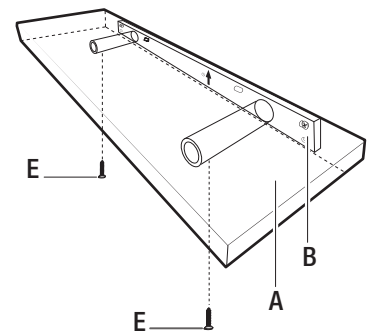
2 INSTALLING THE BACKPLATE

- Using a power drill and a 3/16 in. drill bit, drill holes into the wall at the pencil marks. (do not pre-drill where studs are present)
- Insert the drywall anchors (D) into the holes that do not have studs.
- Place the backplate (B) against the wall in the desired position, align hole marks with the bracket.
- Use a Phillips screwdriver and the screws (C) to secure the backplate (B) to the wall.
- Use drill and installation screws into studs and secure backplate (B) to wall.



3 INSTALLING THE SHELF

- Align the holes on the back of the shelf (A) with the tubes on the backplate (B). Slide shelf onto tubes.
- Use the set screws (E) to secure the shelf (A) to the backplate (B) by inserting the set screws (E) through the bottom of the shelf (A) into holes on backplate tubes.



Safety Information



WARNING: It is strongly recommended that this shelf be installed in studs to ensure maximum stability and load capacity.



WARNING: The maximum load capacity of this shelf is 15 lbs.

IMPORTANT HEALTH NOTICE:

Some of the building materials used in this home (or these building materials) emit formaldehyde. Eye, nose and throat irritation, headache, nausea and a variety of Asthma-like symptoms, including shortness of breath, have been reported as a result of formaldehyde exposure. Elderly persons and young children, as well as anyone with a history of asthma, allergies, or lung problems, may be at greater risk. Research is continuing on the possible long-term effects of exposure to formaldehyde. Reduced ventilation may allow formaldehyde and other containments to accumulate in the indoor air. High indoor temperatures and humidity raise formaldehyde levels. When a home is to be located in the areas subject to extreme summer temperatures, an air-conditioning system can be used to control indoor temperature levels. Other means of controlled mechanical ventilation can be used to reduce levels of formaldehyde and other indoor air containments.

If you have any questions regarding the health effects of formaldehyde, consult your doctor or local health department.

Warranty

WHAT IS COVERED

The supplier warrants the original purchaser of this product against defects in material and workmanship for a period of one year from date of original purchase. Our sole obligation under this warranty is to repair or replace the defective product, which must be returned during the warranty period, to the store where the product was purchased. Return of the product must be accompanied by a dated proof of purchase, such as a photocopy of the receipt.

This warranty does not apply if accident or misuse has resulted in damage to the product. We make no other warranty, expressed or implied, to you or any other person or entity. Specifically, we make no warranty that this product is fit for a particular purpose. Any implied warranty of merchantability is limited to the respective duration and the conditions stated in this Limited Warranty and are otherwise expressly disclaimed. We will not be liable for special, incidental, consequential, indirect, or other similar damages, even if our agent or we have been advised of the possibility of the damages. This means that we are not responsible or liable for damages or costs incurred as a result of loss of time, loss of profits, or loss of use of the product. In addition, we are not responsible or liable for damages of costs incurred in connection with obtaining a substitute product, claims by others, inconvenience, or similar costs. In no event will our liability for any damages to you or any other person ever exceed the price paid for this product regardless of any form of the claim.

Additional statements by our employers, agents, representatives, distributors, dealers, and retailers such as advertisements or presentations, do not constitute warranties by us, do not bind us, nor should these statements be relied upon.

Item #	Model #
244461	9085620
244593	9085622
244692	9085624
1002800405	9085650
1002800468	9085652
1002800559	9085654