



Item #  
Model #FCA65098HB-  
ST

# MILLSTONE 5-PIECE HIGH DINING SET

---

## MILLSTONE 5-PIECE HIGH DINING SET



**Questions, problems, missing parts? Before returning to the store call  
Hampton Bay Customer Service  
8 a.m. - 6 p.m., EST, Monday-Friday**

**1-877-527-0313**

**HOMEDEPOT.COM**

---

### **THANK YOU**

***We appreciate the trust and confidence you have placed in Hampton Bay through the purchase of this dining set. We strive to continually create quality products designed to enhance your home. Visit us online to see our full line of products available for your home improvement needs. Thank you for choosing Hampton Bay!***

# Table of Contents

Table of Contents.....	2	Chair Assembly .....	6
Warranty .....	2	Table Assembly.....	7
Pre-Assembly .....	2	Care and Cleaning .....	7
Planning For Successful Assembly.....	2		
Hardware Included.....	3		
Chair Package Contents .....	4		
Table Package Contents.....	5		

# Warranty

## 3 YEARS FRAME AND 1 YEAR FABRIC WARRANTY

### WHAT IS COVERED

We warrant the frame to be free of manufacturing defects to the original purchaser for three years and fabric to be free of manufacturing defects to the original purchaser for one year.

### WHAT IS NOT COVERED

It remains the customer's responsibility for freight and packaging charges to and from our service center. This warranty does not cover commercial use, hardware, acts of nature, fire, freezing and abusive use. In addition, purchased parts are not covered under this warranty. We reserve the right to make substitutions with similar merchandise, if the model in question is no longer in production.

Contact the Customer Service Team at 1-877-527-0313 or visit [www.homedepot.com](http://www.homedepot.com).

# Pre-Assembly

## PLANNING FOR SUCCESSFUL ASSEMBLY

Read all instructions before assembly.

To avoid damaging this product, assemble it on a soft, non-abrasive surface such as carpet or cardboard.



**NOTE:** More than one person may be required to complete the assembly of this product.



# Pre-Assembly (continued)

## HARDWARE INCLUDED



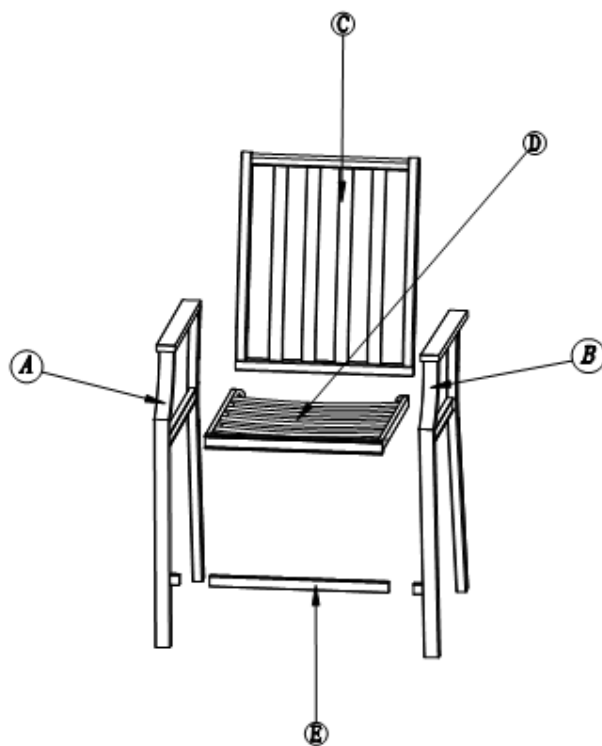
NOTE: Hardware not shown to actual size.



Part	Description	Quantity
AA	40 mm bolt	16
BB	25 mm bolt	8
CC	20 mm bolt	8
DD	Small Washer	48
EE	Spring Washer	8
FF	50 mm Hex bolt	8
GG	15 mm bolt	16
HH	Large Washer	8
II	Allen Key	5
JJ	Hex Wrench	1

# Pre-Assembly (continued)

## CHAIR PACKAGE CONTENTS

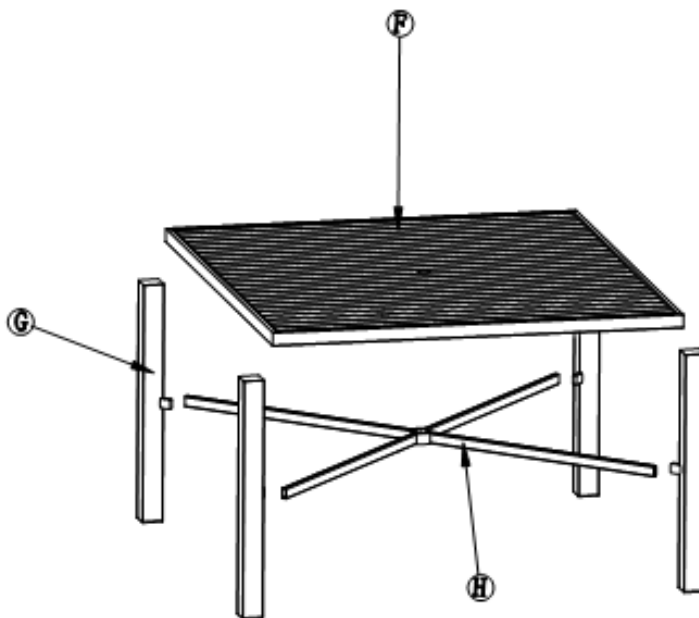


Part	Description	Quantity
A	Right arm	4
B	Left arm	4
C	Chair back	4
D	Chair seat	4
E	Back bar	4



## Pre-Assembly (continued)

### TABLE PACKAGE CONTENTS



Part	Description	Quantity
F	Table rim	1
G	Table leg	4
H	Leg connector	1

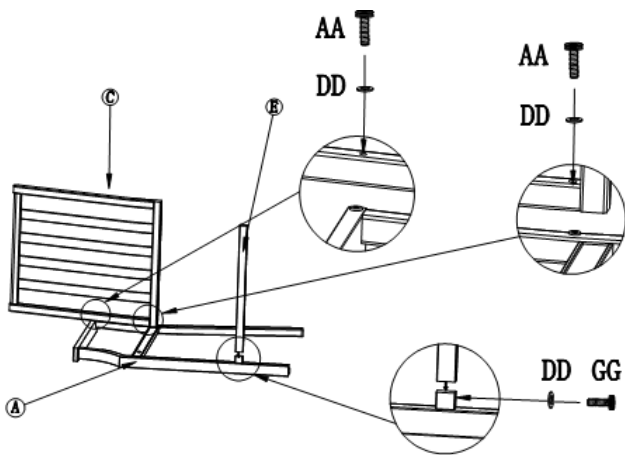
# Chair Assembly

## 1 Connecting the chair back and back bar to the chair arms

- Place the right arm (A) on a soft surface.
- Attach chair back (C) to the right arm (A) by inserting bolts (AA) and small washers (DD).
- Align the holes of the back bar (E) with the holes in the rear portion of the right arm (A).
- Secure the back bar (E) to the right arm (A) with bolts (GG) and small washers (DD).
- Repeat this step for the left arm (B).



NOTE: Do not fully tighten the bolts.

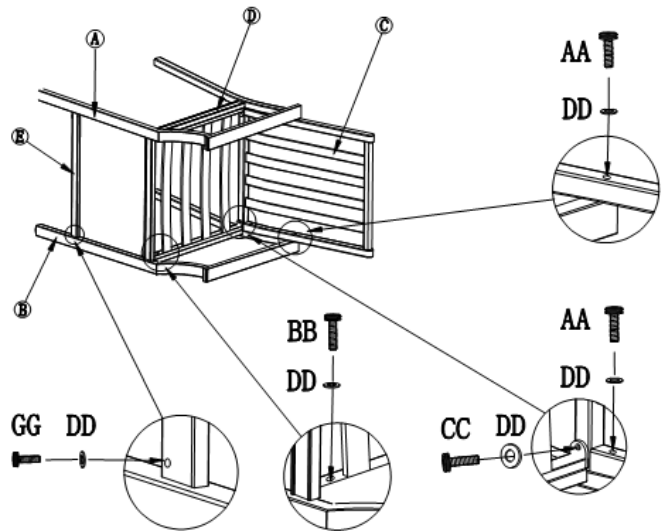


## 2 Connecting chair seat to the chair arms and chair back

- Attach chair seat (D) to chair arms by inserting bolts (BB) and small washers (DD).
- Attach chair seat (D) to chair back (C) by inserting bolts (CC) and small washers (DD).
- Repeat this step for the left arm (B).
- Tighten all of the bolts. Check and ensure the chair is tightly assembled and stable before you use.



NOTE: Do not fully tighten the bolts.



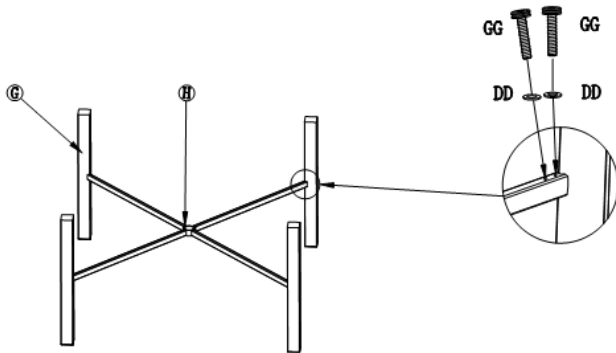
# Table Assembly

## 1 Connecting the table legs to leg connector

- Attach each of the table legs (G) to the leg connector (H) with bolts (GG) and small washers (DD).

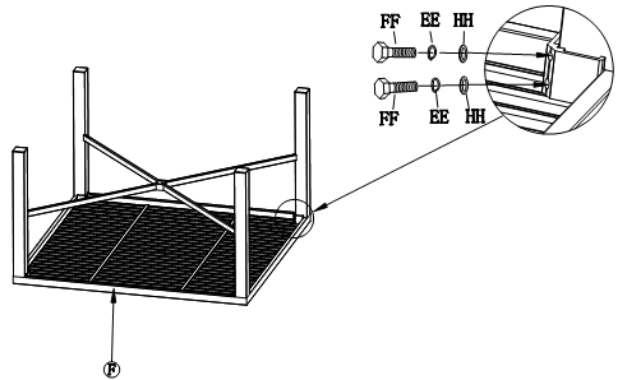


**NOTE:** Do not fully tighten the bolts.



## 2 Connecting the table legs to the table rim

- Turn the table rim (F) upside down.
- Attach each of the table legs (G) to the table rim (F) by inserting hex bolts (FF), spring washers (EE) and large washers (HH).
- Tighten all of the bolts and ensure that all connections are secure.



## Care and Cleaning

- For best results, clean the frames with a damp cloth and dry the frames thoroughly. This will help prevent mildew by removing dirt particles that may accumulate.
- Do not clean with abrasive materials, bleach, or solvents.
- Store the table and chairs in a dry, sheltered place when not in use.
- Keep the table and chairs out of fire, extreme heat, freezing conditions, and inclement weather such as rain, hail, sleet, snow, or wind.



**Questions, problems, missing parts? Before returning to the store call  
Hampton Bay Customer Service  
8 a.m. - 6 p.m., EST, Monday-Friday**

**1-877-527-0313**

**HOMEDEPOT.COM**

**Retain this manual for future use.**