



**TOMMY  
DOCKS®**

Tommy Docks

4003 Dixie Ave, Wausau, WI 54401

Phone : 715-842-3804

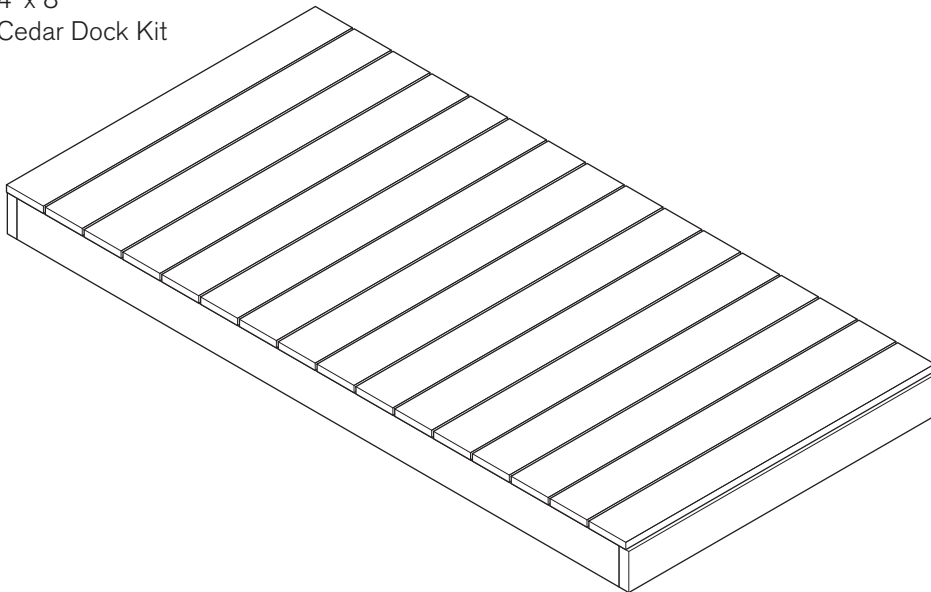
Toll Free : 866-675-1880

Fax : 715-842-3420

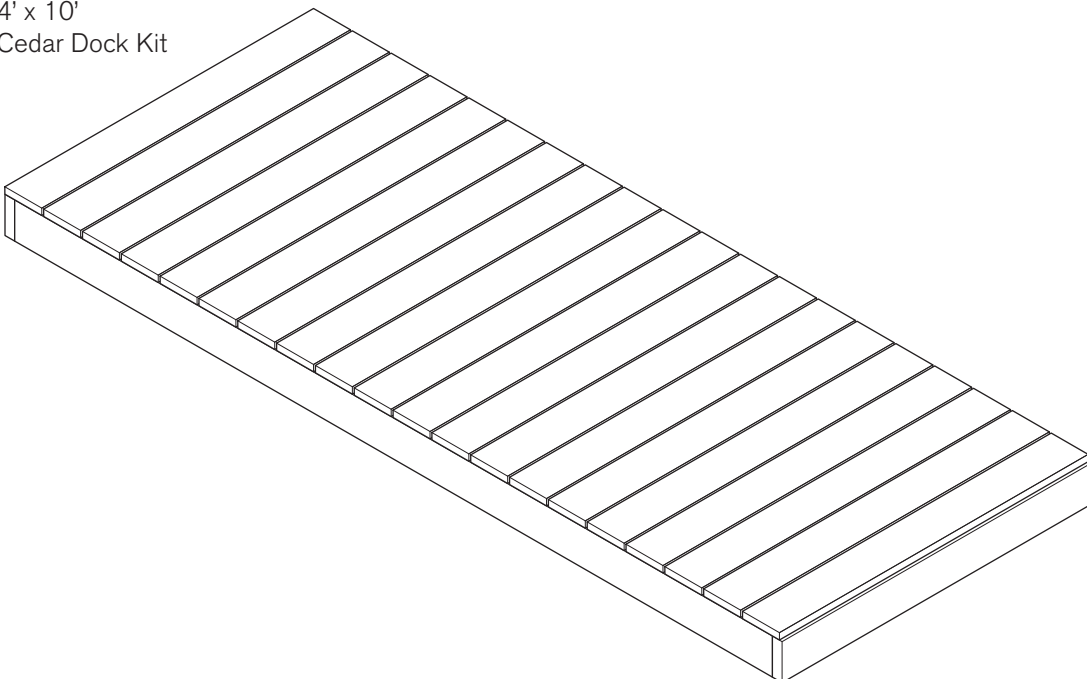
## Cedar Dock Kit

Assembly Instructions

4' x 8'  
Cedar Dock Kit

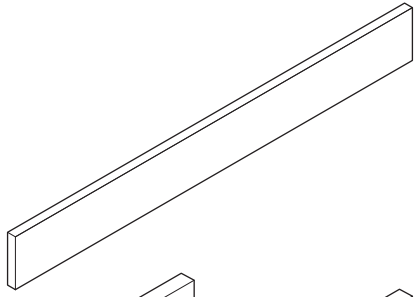


4' x 10'  
Cedar Dock Kit

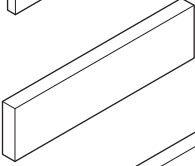


**4' x 8' Cedar Dock Kit  
Components**

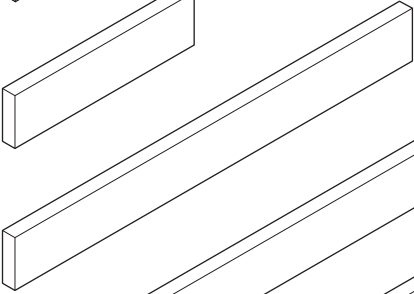
$\frac{5}{4}$  x 6" x 47  $\frac{3}{4}$ "  
Deck Board  
Qty 16



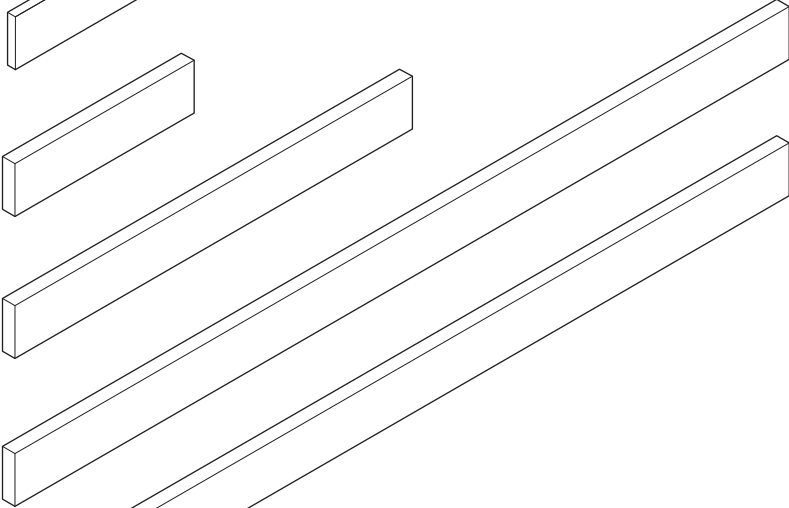
2" x 6" x 21  $\frac{5}{8}$ "  
Support  
Qty 2



2" x 6" x 47  $\frac{3}{4}$ "  
End Rail  
Qty 2



2" x 6" x 93"  
Side Rail  
Qty 2

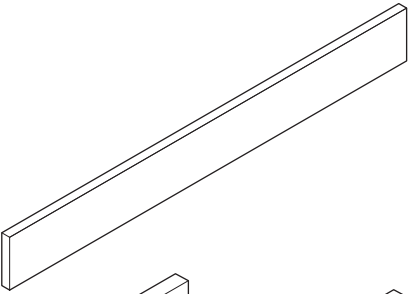


2" x 6" x 93"  
Center Rail  
Qty 1

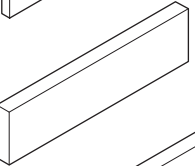


**4' x 10' Cedar Dock Kit  
Components**

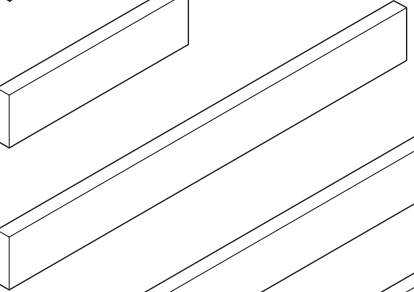
$\frac{5}{4}$  x 6" x 47  $\frac{3}{4}$ "  
Deck Board  
Qty 20



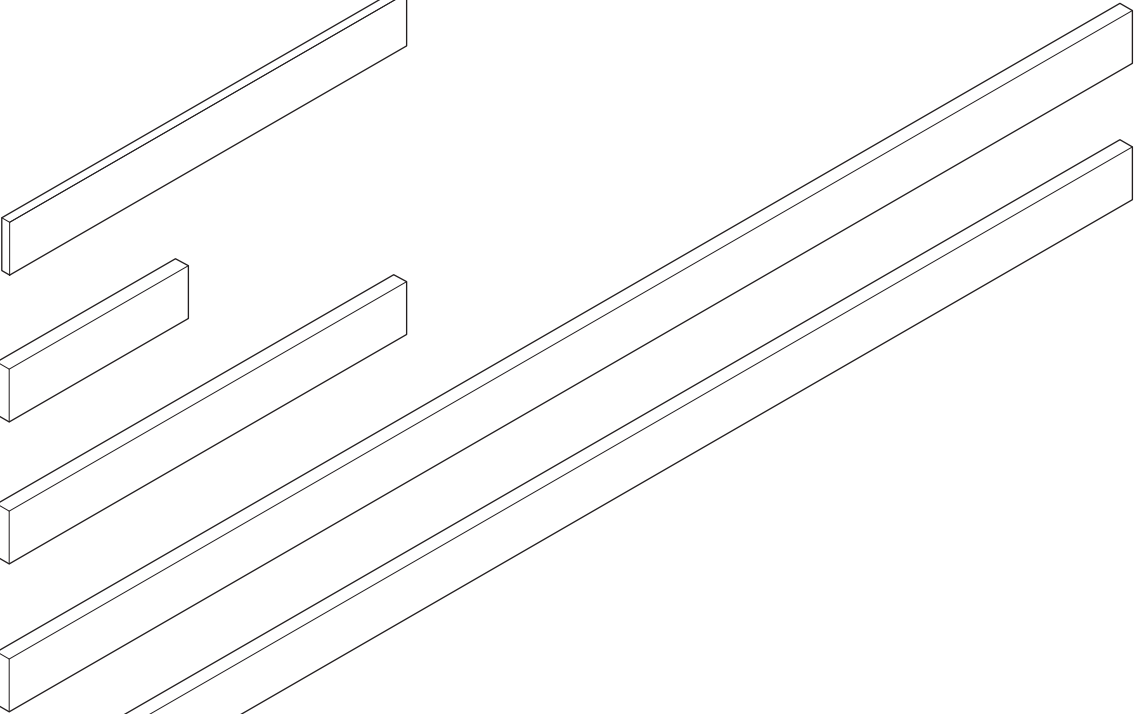
2" x 6" x 21  $\frac{5}{8}$ "  
Support  
Qty 2



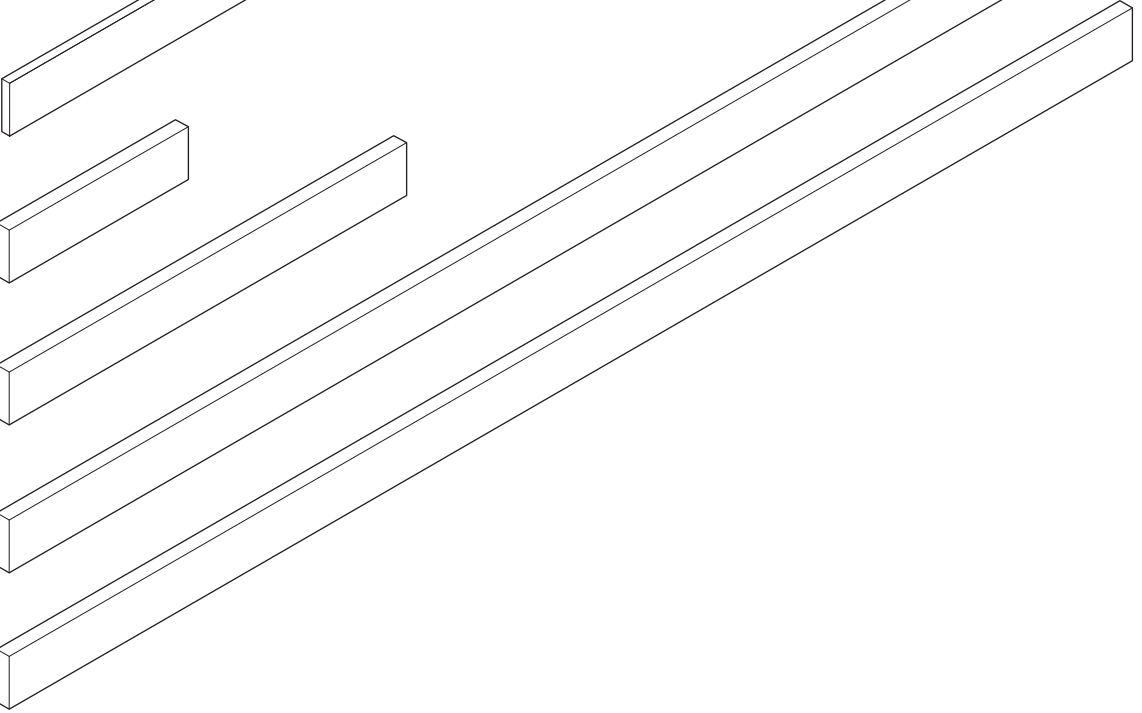
2" x 6" x 47  $\frac{3}{4}$ "  
End Rail  
Qty 2



2" x 6" x 117  $\frac{1}{8}$ "  
Side Rail  
Qty 2



2" x 6" x 117  $\frac{1}{8}$ "  
Center Rail  
Qty 1



**4' x 8' Cedar Dock Kit  
Hardware**

Deck



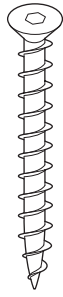
2 1/2" Galvanized Nails  
Qty 144

Frame

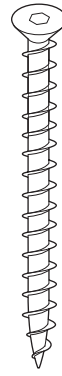


3 1/2" Galvanized Nails  
Qty 30

or



2 1/2" Galvanized Deck Screws for Decking  
Qty 144



3 1/2" Galvanized Deck Screws for Frame  
Qty 30

**Note:** Dock may be assembled using either galvanized nails (included) or coated deck screws (recommended). These instructions depict assembly using galvanized deck screws.

**4' x 10' Cedar Dock Kit  
Hardware**

Deck

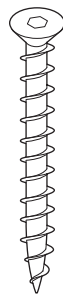


2 1/2" Galvanized Nails  
Qty 180

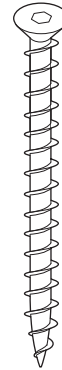
Frame



3 1/2" Galvanized Nails  
Qty 30



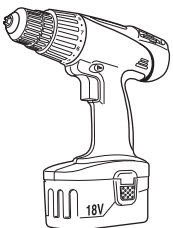
2 1/2" Galvanized Deck Screws for Decking  
Qty 180



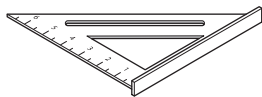
3 1/2" Galvanized Deck Screws for Frame  
Qty 30

**Note:** Dock may be assembled using either galvanized nails (included) or coated deck screws (recommended). These instructions depict assembly using galvanized deck screws.

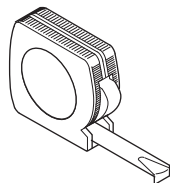
**Tools**



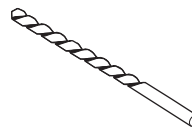
Power Drill



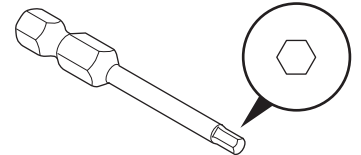
Quick Square



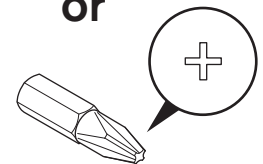
Tape Measure



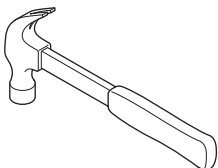
5/32" Drill Bit for Pre-drilling



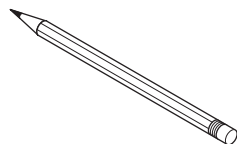
or



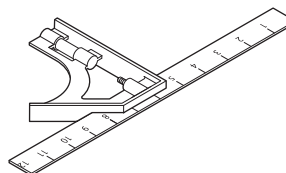
Driver Bit (depending on screw head type)



Hammer

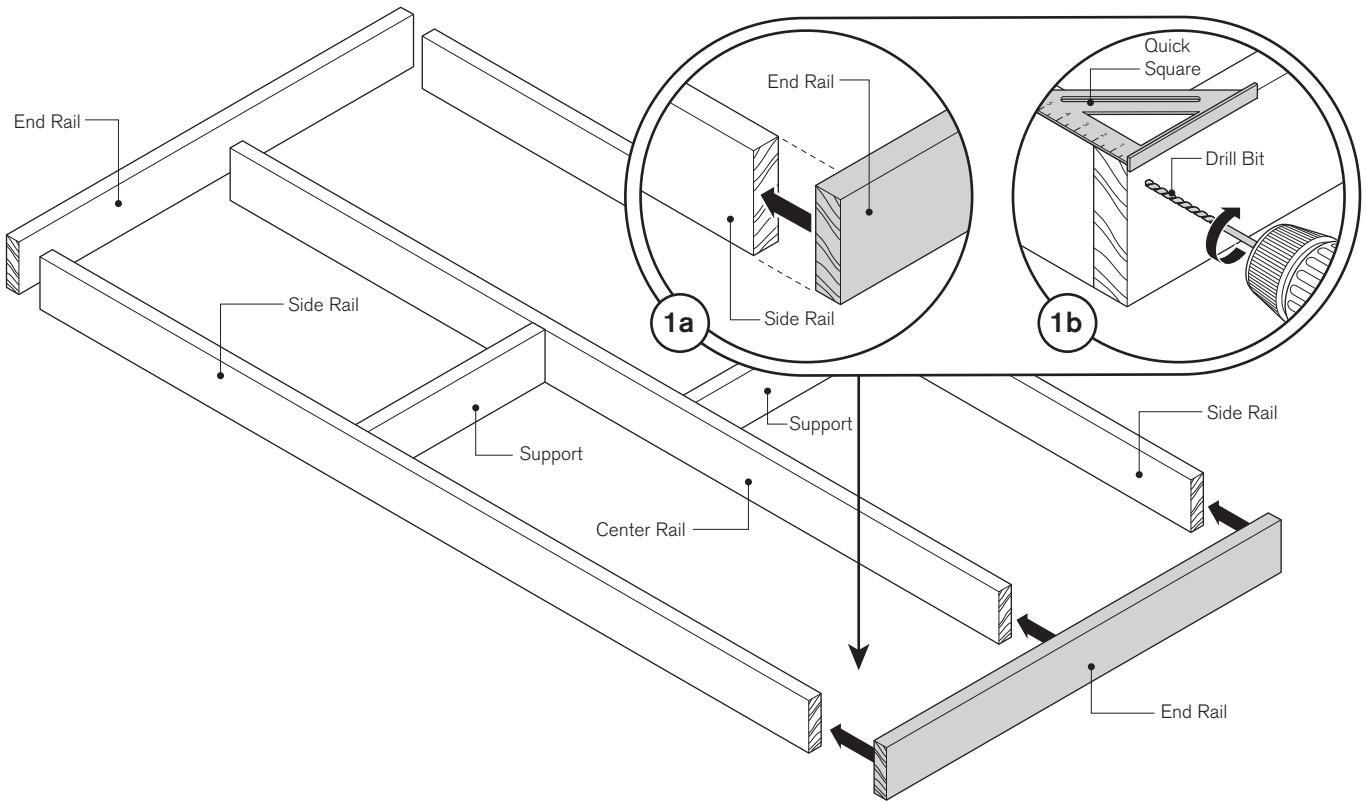


Pencil

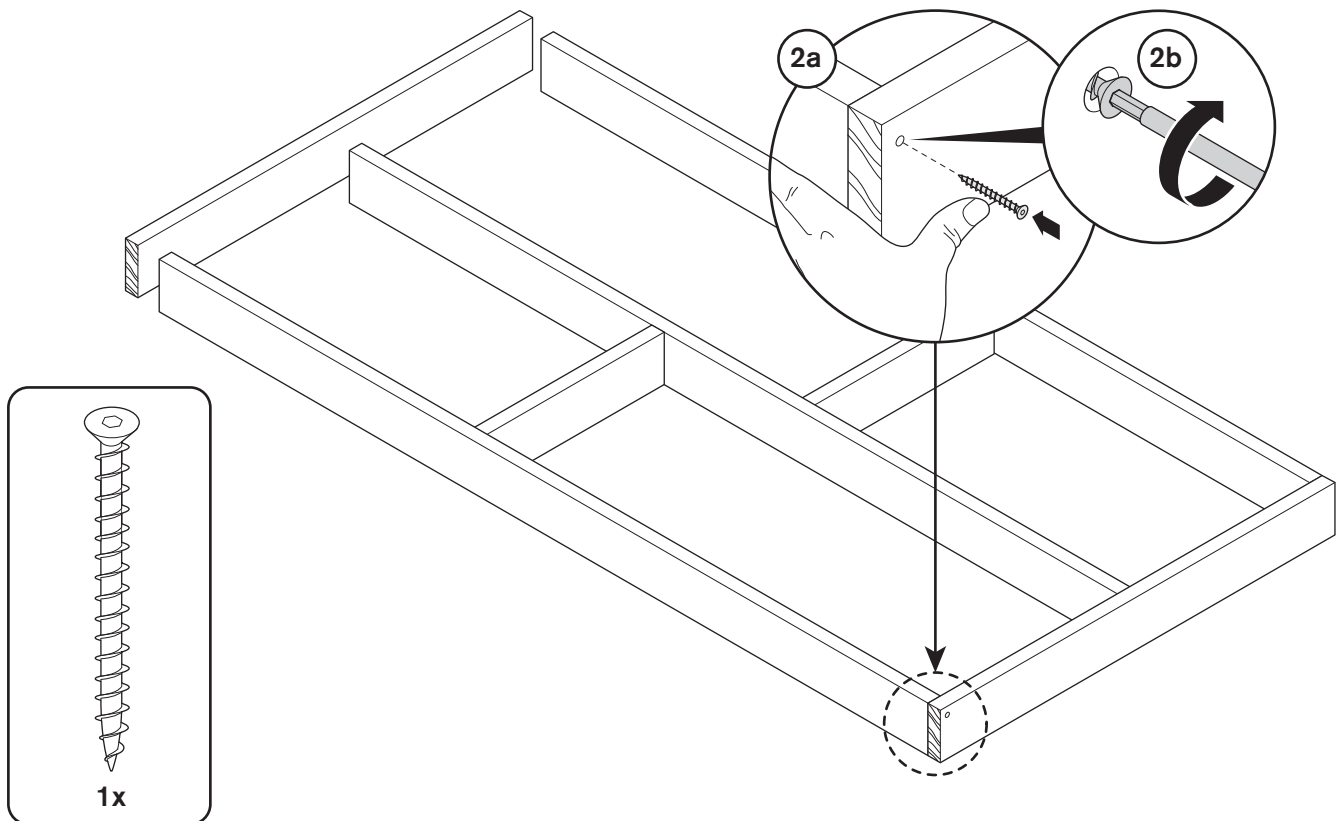


Sliding Square

- 1** Lay out two boards as shown. Align one end of the End Rail with end of Side Rail (1a). Align End Rail to Side Rail using a Quick Square and pre-drill one hole into the End Rail using a Drill Bit (1b).

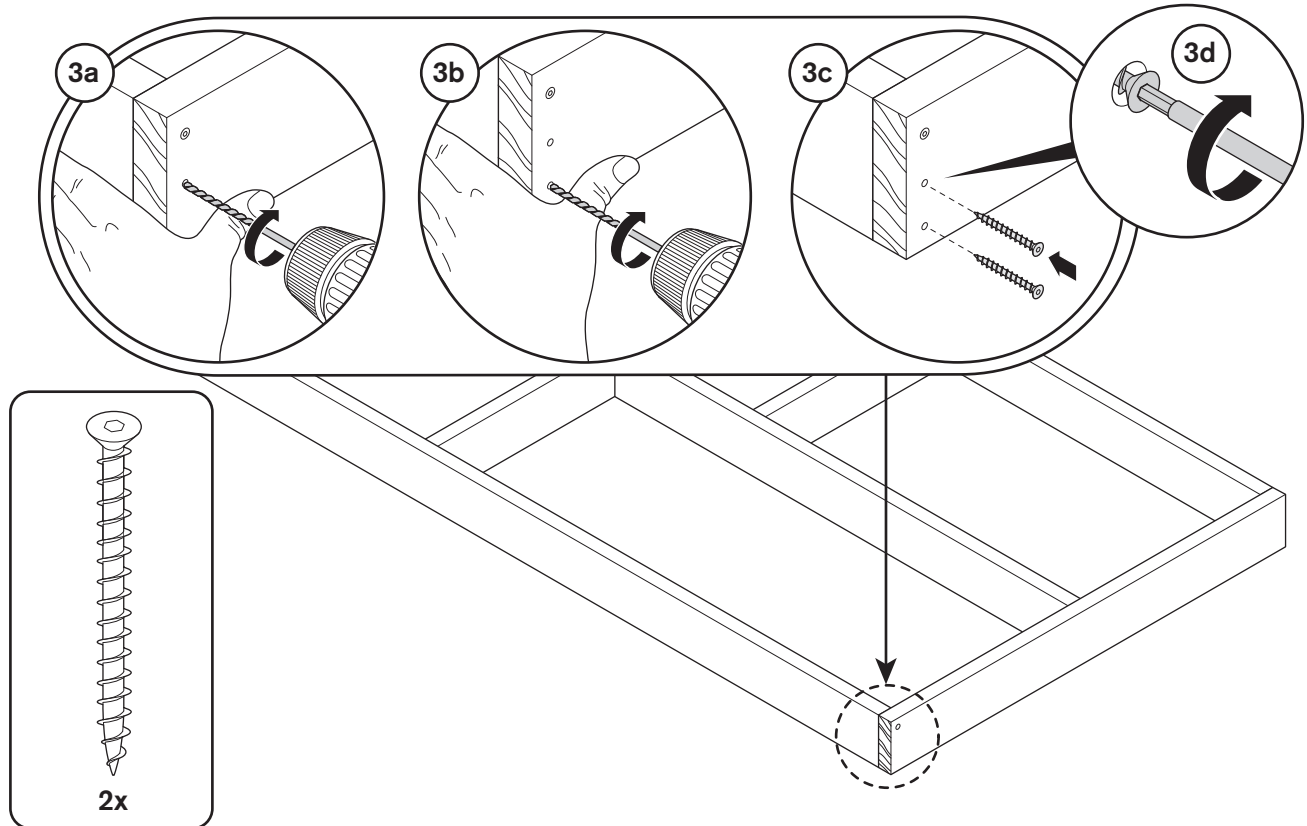


- 2** Secure End Rail to Side Rail using one (1) Deck Screw (2a). Use the Driver Bit to fully tighten the Deck Screw (2b).

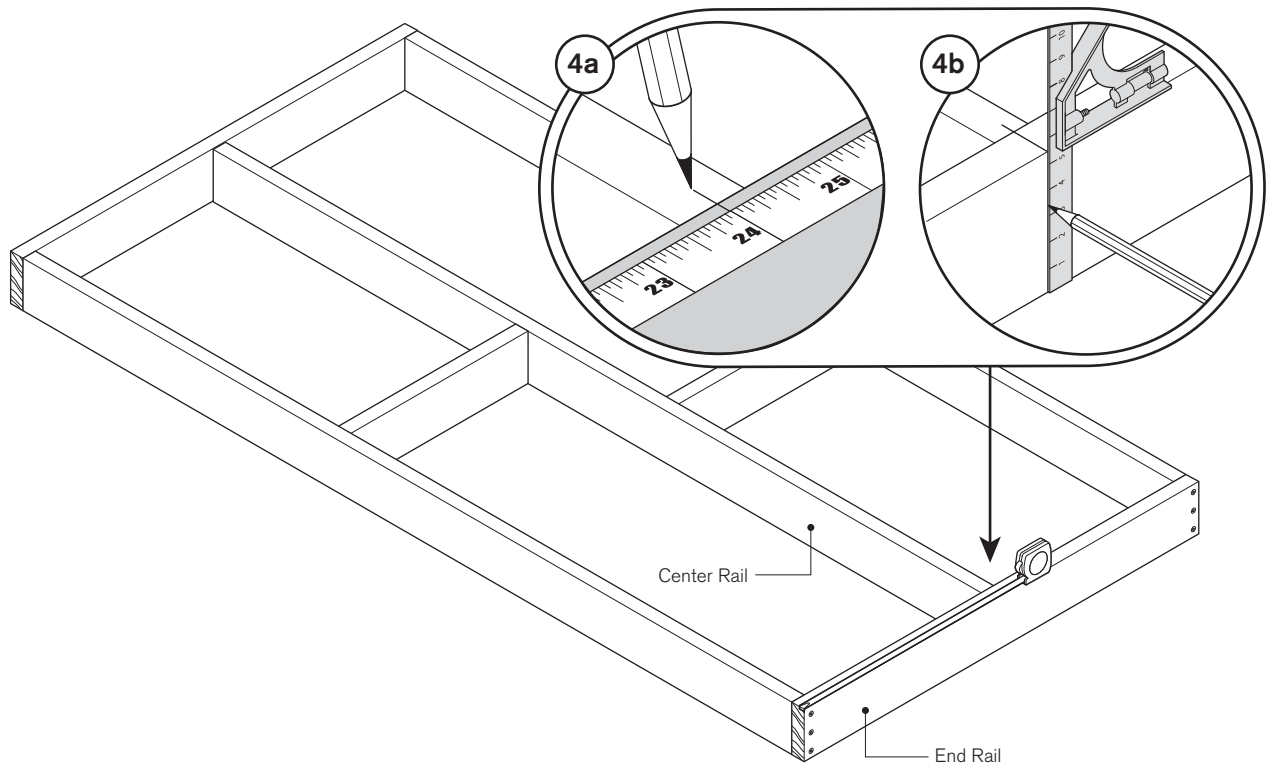


**3**

Using the Drill Bit, drill two (2) more holes (3a & 3b) through the End Rail and into the Side Rail. Secure End Rail to Side Rail using two (2) Deck Screws (3c). Use the Driver Bit to fully tighten the Deck Screws (3d). Repeat this procedure for three (3) remaining corners.

**4**

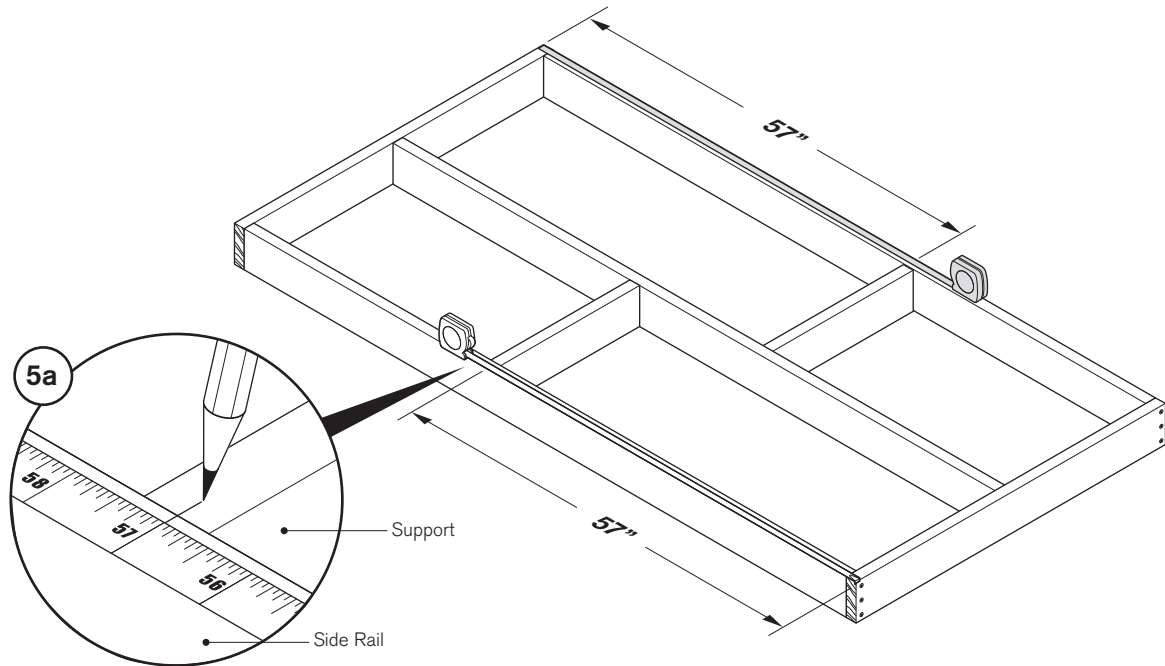
Measure approximately 24" to center the Center Rail (4a). Using a Pencil and a Sliding Square, extend a vertical line onto the side of the End Rail (4b). Repeat this procedure for other end of the Center Rail.



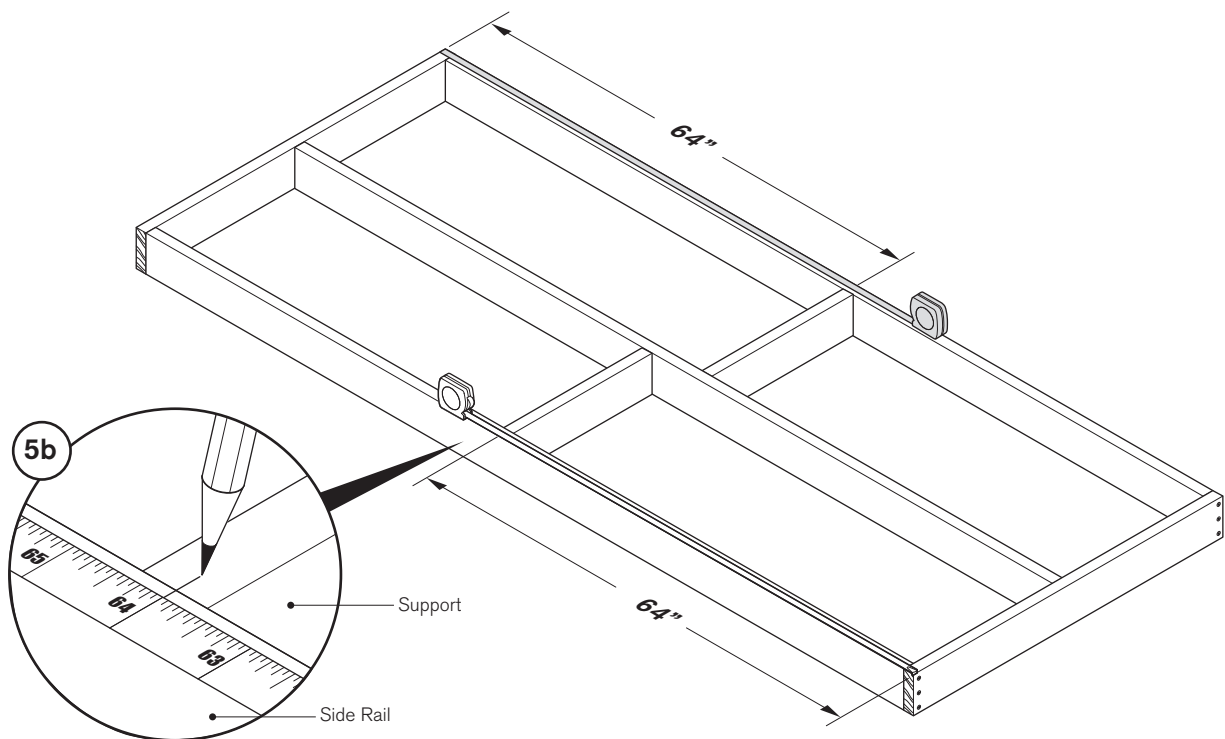
**5**

Position the two (2) Supports as shown. The supports used for the 4' x 8' Cedar Dock Kit are located 57" from each end rail as shown (5a). The supports used for the 4' x 10' Cedar Dock Kit are located 64" from each end rail as shown (5b).

**4' x 8' Cedar Dock Kit  
Support Location**



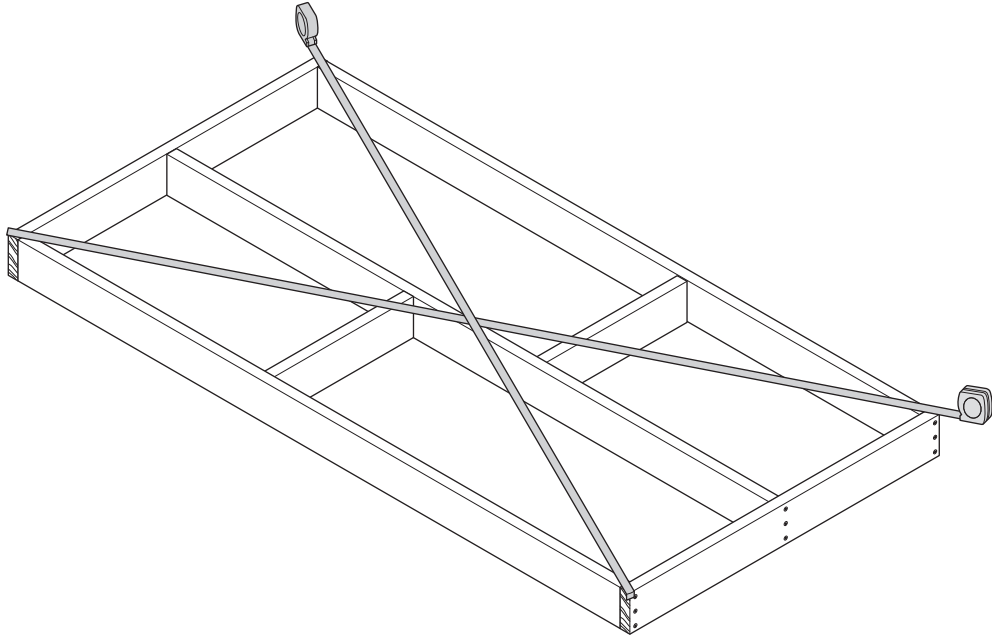
**4' x 10' Cedar Dock Kit  
Support Location**



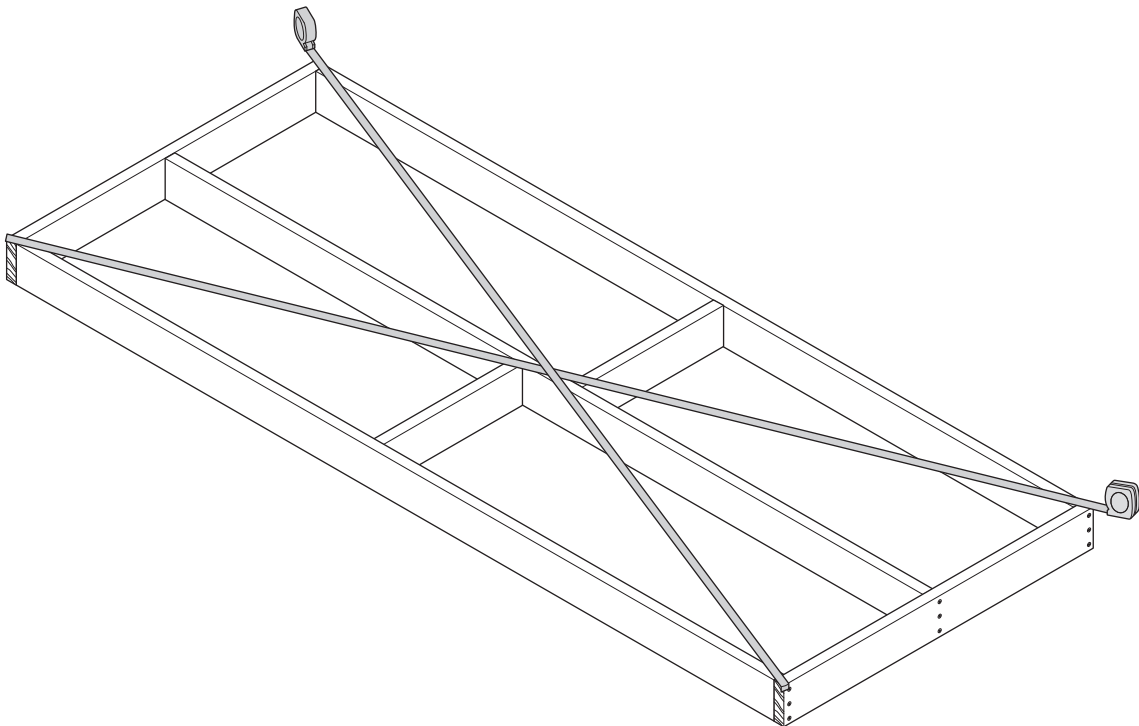
**6**

Using a Tape Measure, measure diagonally from corner to corner to make sure the frame is square. You will know the frame is square if both measurements are the same. If the measurements are not the same, adjust the frame slightly left or right until the frame is squared.

**4' x 8' Cedar Dock Kit**

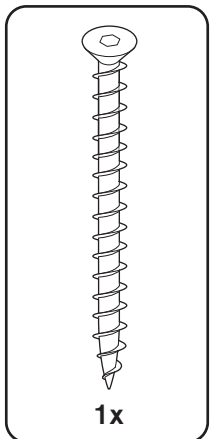
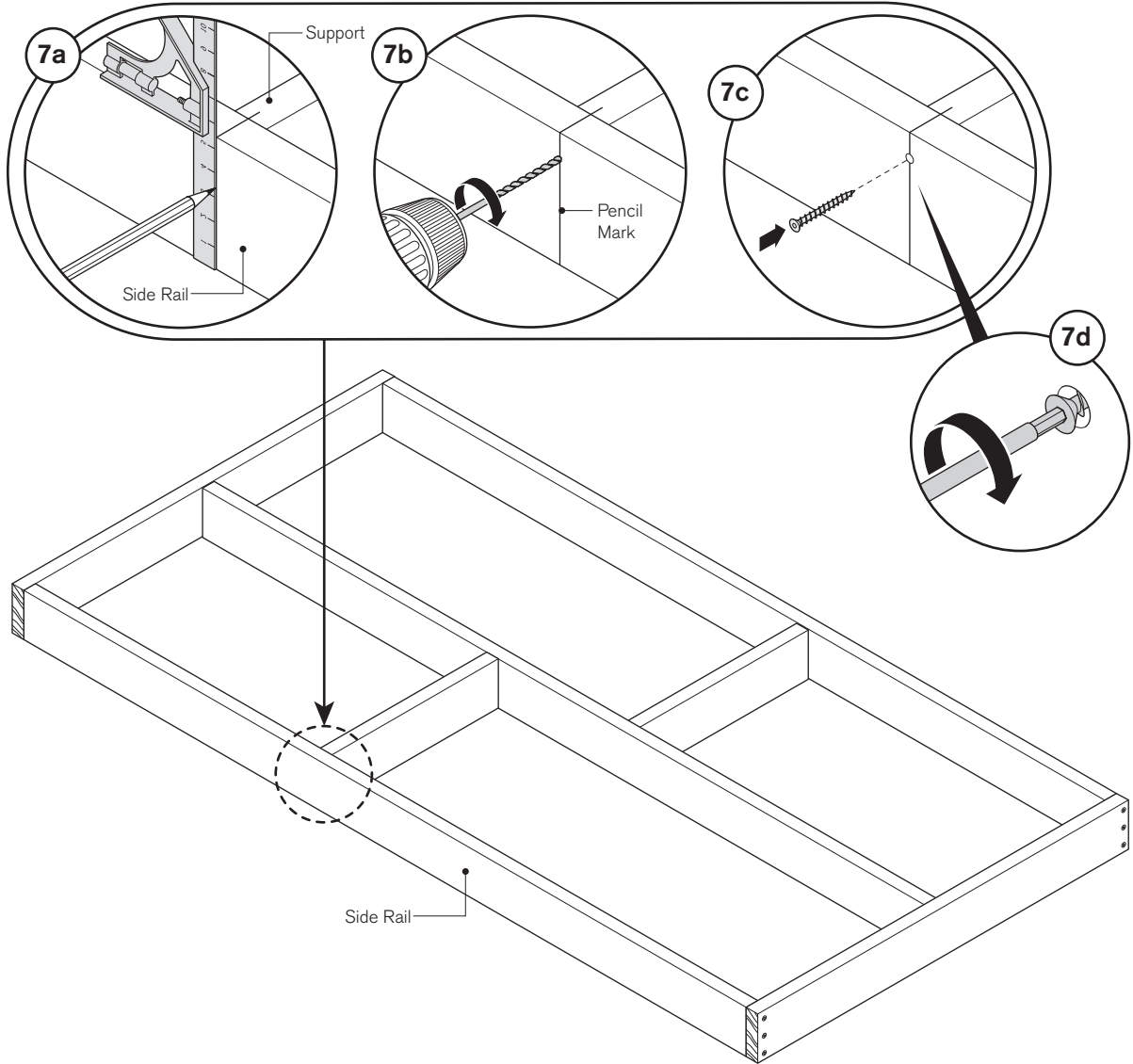


**4' x 10' Cedar Dock Kit**



**7**

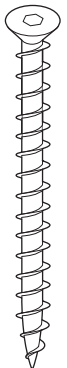
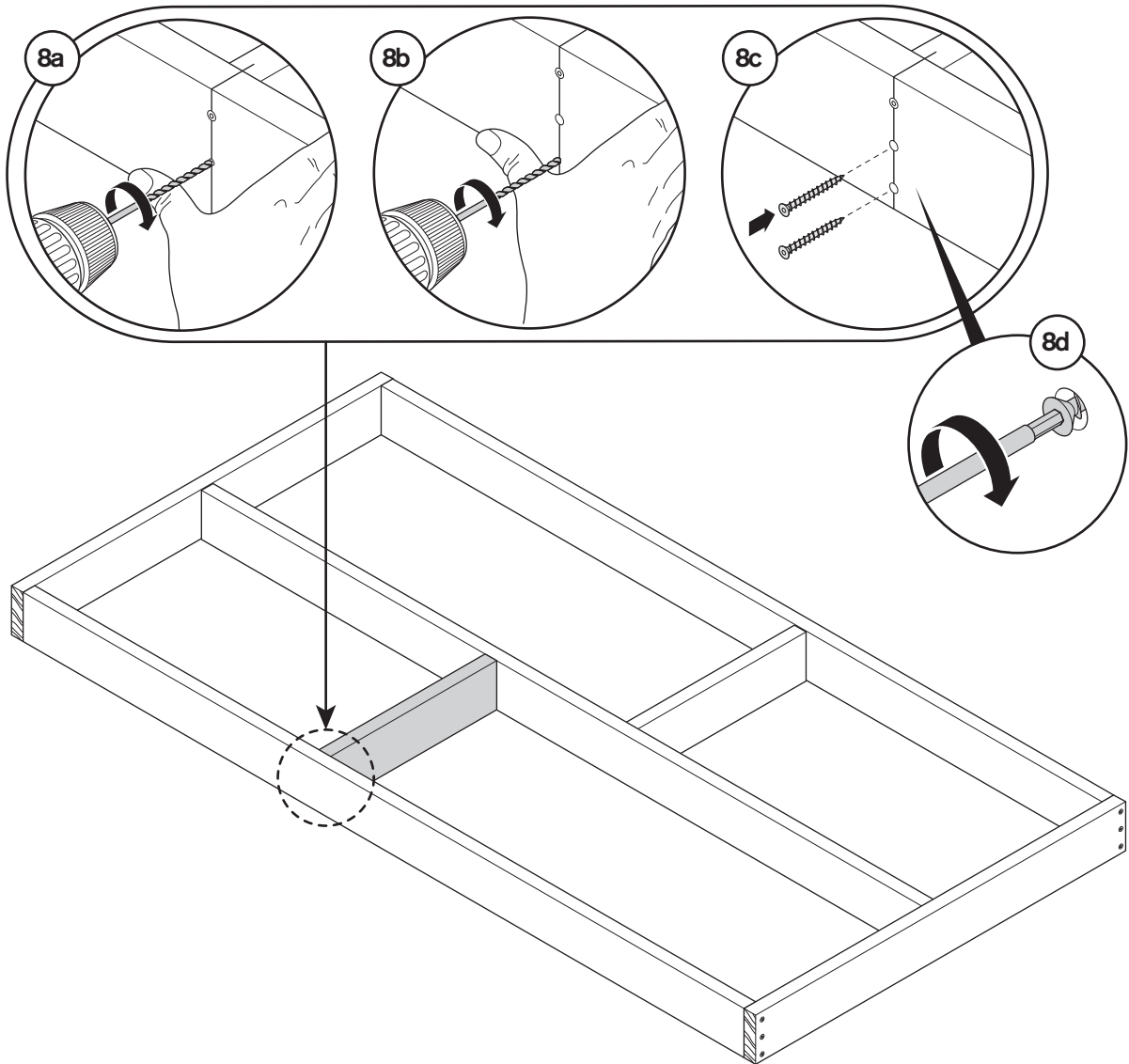
Using a Pencil and a Sliding Square, extend a vertical line onto the side of the Side Rail (7a). Using a Drill Bit, drill one (1) hole through the Side Rail and into the Support (7b). Secure the Support to the Side Rail using one (1) Deck Screw (7c). Use the Driver Bit to fully tighten the Deck Screw (7d). Repeat this procedure for the other end of the Support.





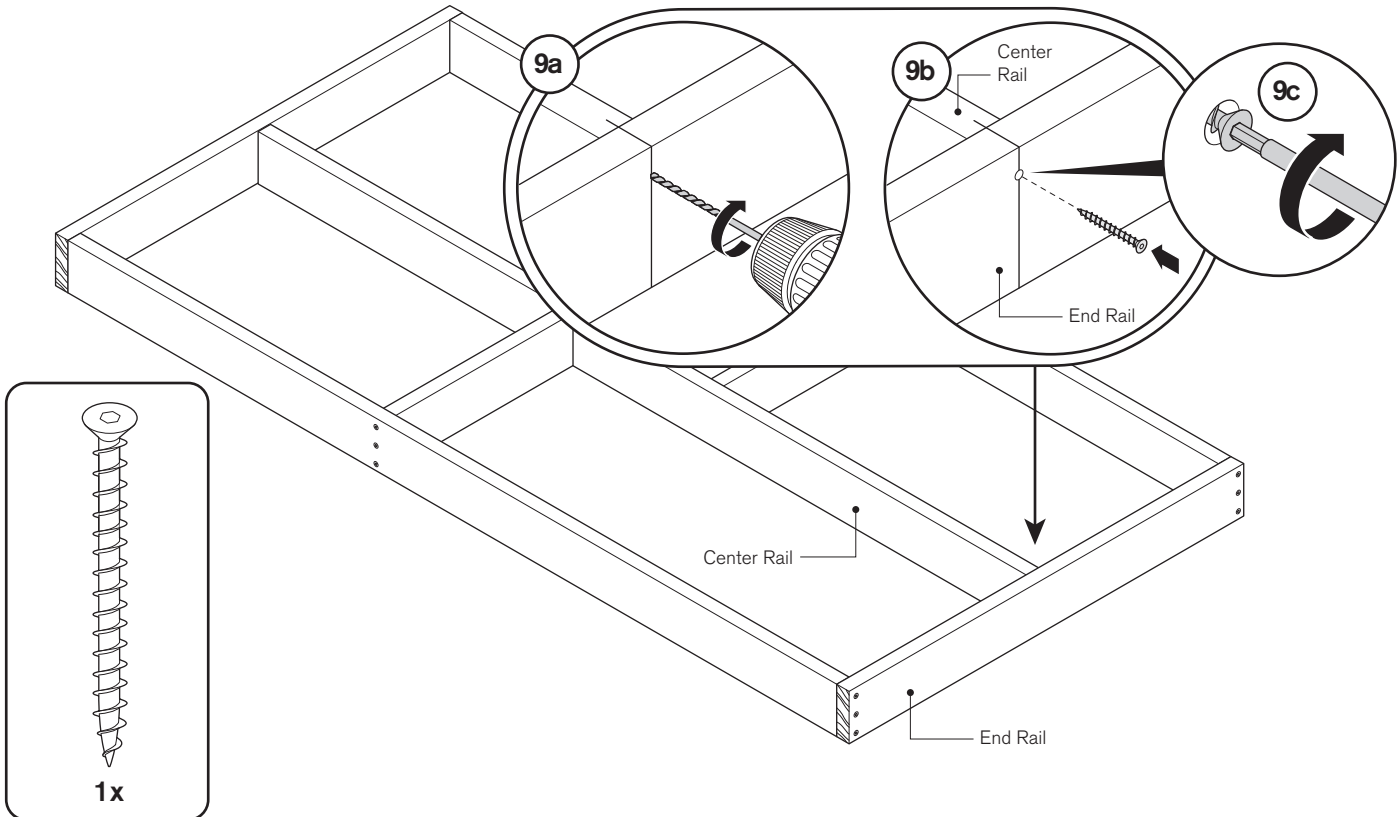
**8**

Using a Drill Bit drill two (2) holes through the Side Rail and into the Support (8a & 8b). Secure the Support to the Side Rail using two (2) Deck Screws (8c). Use the Driver Bit to fully tighten the Deck Screws (8d). Repeat this procedure for the other end of the Support. Repeat steps 7 and 8 for the 2nd Support)

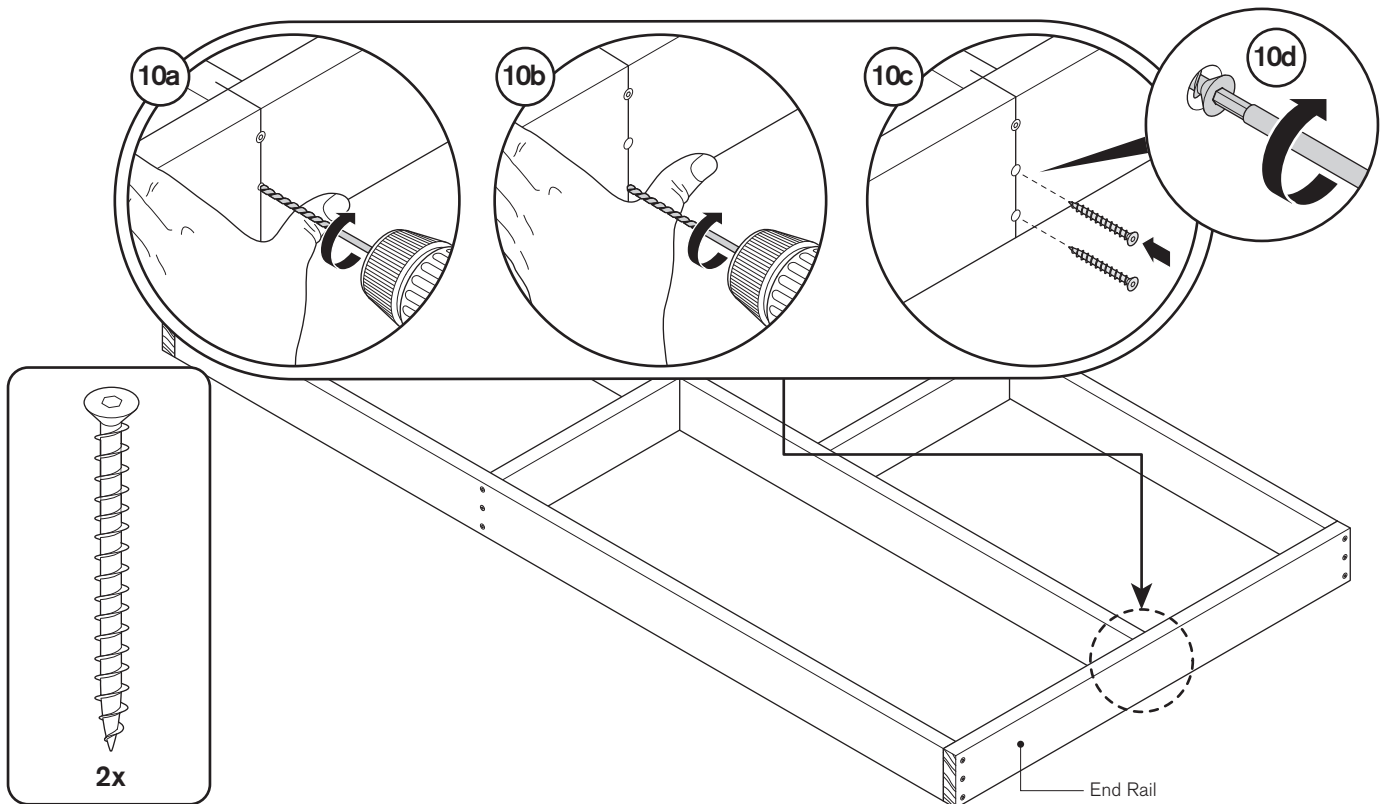
**2x**

**9**

Using a Drill Bit, drill one (1) hole through the End Rail and into the Center Rail (9a). Secure the End Rail to the Center Rail using one (1) Deck Screw (9b). Use the Driver Bit to fully tighten the Deck Screw (9c). Repeat this procedure for the other end of the Center Rail.

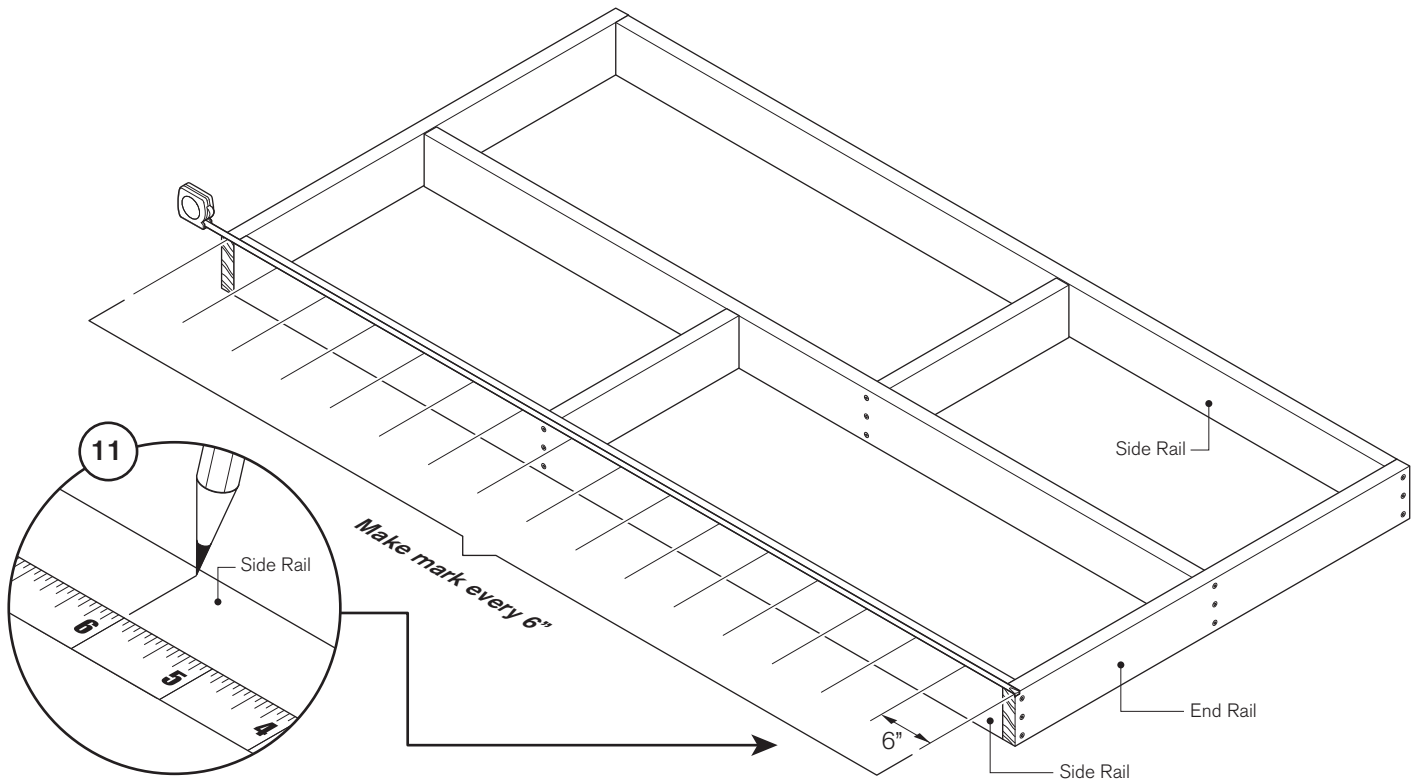
**10**

Using a Drill Bit, drill two (2) holes through the End Rail and into the Center Rail (10a & 10b). Secure the End Rail to the Center Rail using two (2) Deck Screws (10c). Use the Driver Bit to fully tighten the Deck Screws (10d). Repeat this procedure for the other end of the Center Rail.

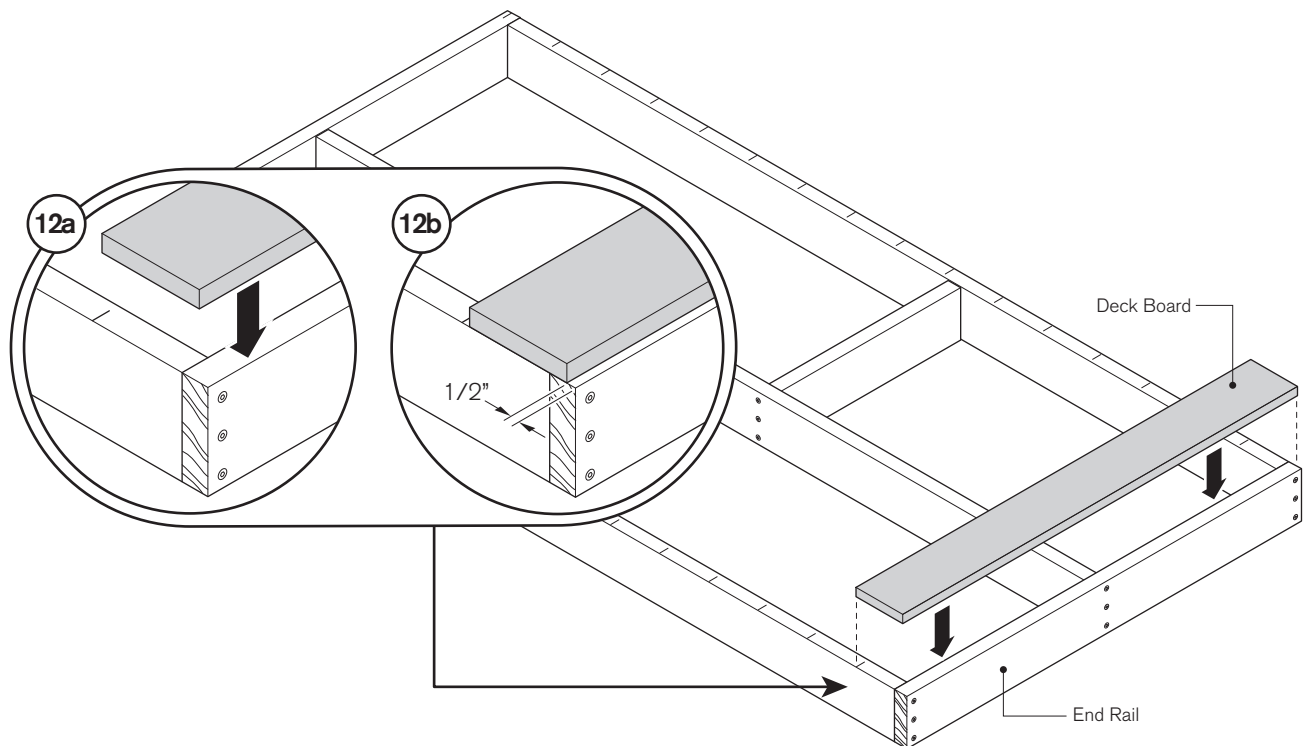


**11**

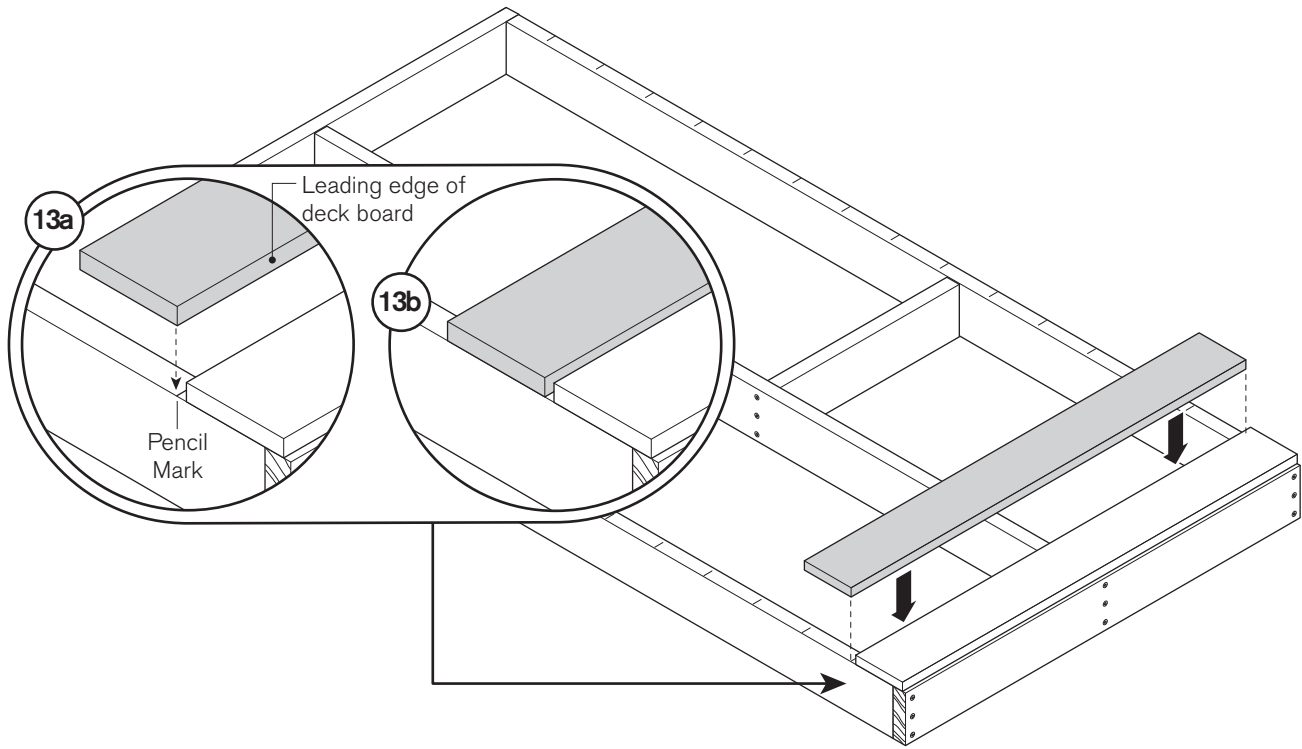
In order to determine spacing for the Deck Boards, use a Pencil and a Measuring Tape and measure along each Side Rail every 6" from the End Rail. The final mark should be at the very end of the other End Rail. **NOTE:** If you are assembling a 4' x 8' Cedar Deck Kit, sixteen (16) boards will be installed. If you are assembling a 4' x 10' Cedar Deck Kit, twenty (20) Deck Boards will be installed.

**12**

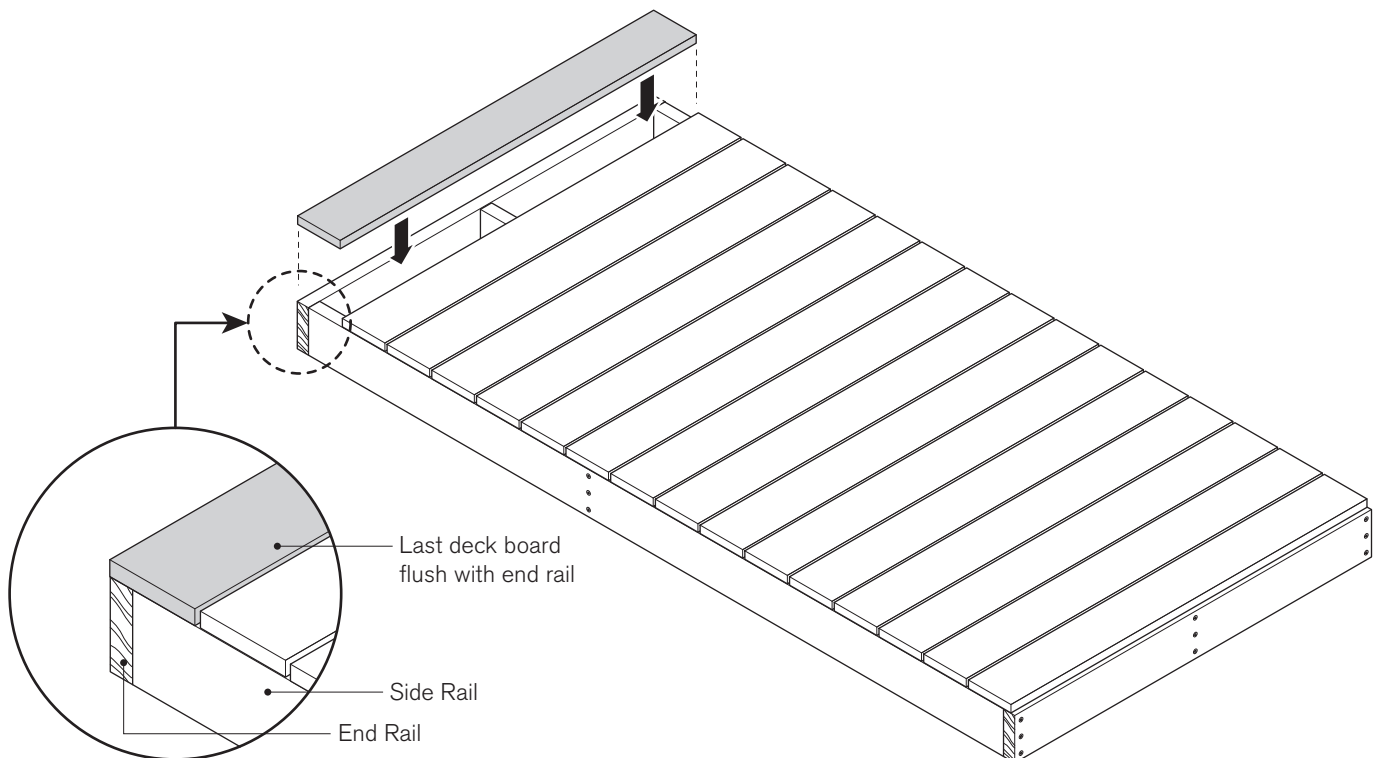
Lower the first Deck Board onto the frame at one end (12a). The first Deck Board should be offset from the end of the End Rail 1/2" (12b).



**13** As you begin to install the remaining Deck Boards, the leading edge of each Deck Board must line up with the 6" pencil marks on each Side Rail (13a & 13b).



**14** Install final Deck board making sure the Deck Board sits flush with the other End Rail.



**15** Using a Drill Bit, pre-drill three (3) holes through the Deck Board and into the frame in the three (3) areas indicated below (a total of nine (9) holes will be drilled) (15a). Secure the Deck Board to the frame using three (3) 2- 1/2" Deck Screws per rail (15b). Use the Driver Bit to fully tighten all nine (9) Deck Screws (15c).

Repeat this procedure for the remaining Deck Boards.

