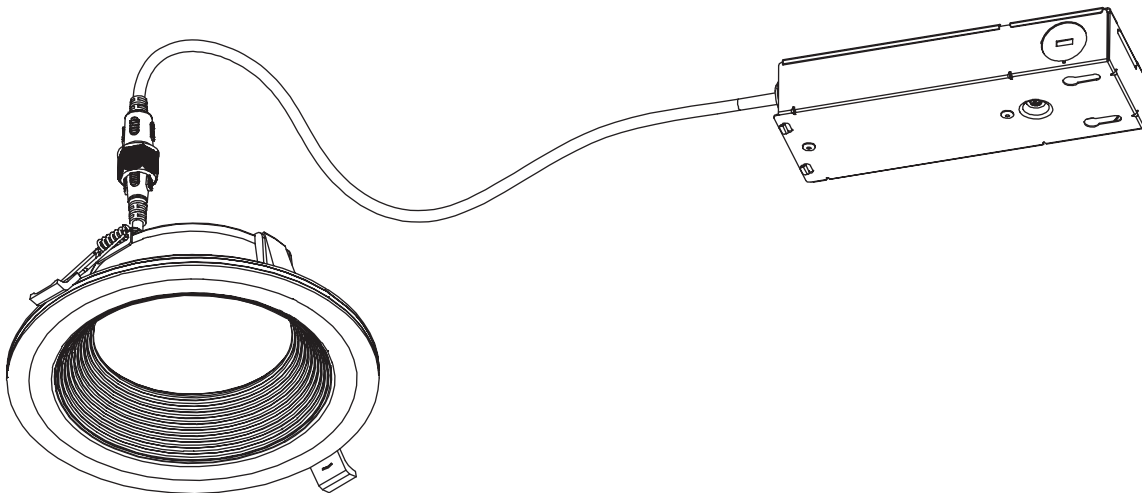


USE AND CARE GUIDE

PREMIUM STEPPED BAFFLE WITH NIGHT LIGHT 4IN., 6IN



Questions, problems, missing parts? Before returning to the store,
call Commercial Electric Customer Service
8 a.m. - 7 p.m., EST, Monday - Friday
9 a.m. - 6 p.m., EST, Saturday



1-877-527-0313

HOMEDEPOT.COM




THANK YOU


We appreciate the trust and confidence you have placed in Commercial Electric through the purchase of this LED light. We strive to continually create quality products designed to enhance your home. Visit us online to see our full line of products available for your home improvement needs. Thank you for choosing Commercial Electric!


Table of Contents


Table of Contents	2	Installation	4
Safety Information	2	Changing Black Trim Rings	6
Warranty	2	Adjusting the Color Temperature of the Light	6
Pre-Installation	3	Selecting Downlight or Nightlight Mode	6
Planning Installation	3	Light Distribution	7
Tools Required	3	Care and Cleaning	7
Package Contents	3	Troubleshooting	7

Safety Information

 **WARNING:** Carefully read and understand the information given in this manual before beginning the assembly and installation. Failure to do so could lead to electric shock, fire, or other injuries which could be hazardous or even fatal.

 **WARNING:** Risk of fire or electric shock. Installation of this LED Downlight requires a person familiar with the construction and operation of the light fixture's/luminaire's electrical system and the hazard involved. If not qualified, do not attempt installation. Contact a qualified electrician.


 **WARNING:** Do not make or alter any open holes in an enclosure of wiring or electrical components during kit installation.

 **WARNING:** To prevent wiring damage or abrasion, do not expose wiring to edges of sheet metal or other sharp objects.

NOTICE: NOT FOR EMERGENCY LIGHTING.

NOTICE: This equipment has been tested and found to comply with the limits for a Class B digital device, pursuant to Part 15 of the FCC Rules. These limits are designed to provide reasonable protection against harmful interference in a residential installation. This equipment generates, uses and can radiate radio frequency energy and, if not installed and used in accordance with the instructions, may cause harmful interference to radio communications. However, there is no guarantee that interference will not occur in a particular installation. If this equipment does cause harmful interference to radio or television reception, which can be determined by turning the equipment off and on, the user is encouraged to try to correct the interference by one or more of the following measures:

- Reorient or relocate the receiving antenna.
- Increase the separation between the equipment and the receiver.
- Connect the equipment into an outlet on a circuit different from that to which the receiver is connected.
- Consult the dealer or an experienced radio/TV technician for help.

 **WARNING:** Changes or modifications not expressly approved by the party responsible for compliance could void the user's authority to operate the equipment.

Warranty

WHAT IS COVERED

The manufacturer warrants this lighting fixture to be free from defects in materials and workmanship for a period of five (5) years from date of purchase. This warranty applies only to the original consumer purchaser and only to products used in normal use and service. If this product is found to be defective, the manufacturer's only obligation, and your exclusive remedy, is the repair or replacement of the product at the manufacturer's discretion, provided that the product has not been damaged through misuse, abuse, accident, modifications, alterations, neglect, or mishandling.

WHAT IS NOT COVERED

This warranty shall not apply to any product that is found to have been improperly installed, set-up, or used in any way not in accordance with the instructions supplied with the product. This warranty shall not apply to a failure of the product as a result of an accident, misuse, abuse, negligence, alteration, faulty installation, or any other failure not relating to faulty material or workmanship. This warranty shall not apply to the finish on any portion of the product, such as surface and/or weathering, as this is considered normal wear and tear.

The manufacturer does not warrant and specifically disclaims any warranty, whether express or implied, of fitness for a particular purpose, other than the warranty contained herein. The manufacturer specifically disclaims any liability and shall not be liable for any consequential or incidental loss or damage, including but not limited to any labor / expense costs involved in the replacement or repair of said product.

Contact the Customer Service Team at 1-877-527-0313 or visit www.HomeDepot.com.

Pre-Installation

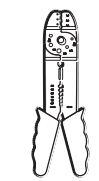
PLANNING INSTALLATION

Before beginning assembly, installation or operation of product, make sure all parts are present. Compare parts with the package contents list. If any part is missing or damaged, do not attempt to assemble, install or operate the product. Contact customer service for replacement parts.

 **NOTE:** Keep your receipt and these instructions for proof of purchase.

If you are unfamiliar with electrical installations, we recommend you contact a qualified electrician to do the installation.

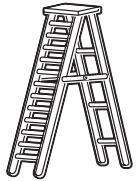
TOOLS REQUIRED



Wire Strippers



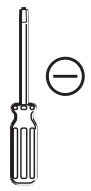
Safety Goggles



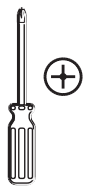
Ladder



Gloves



Flathead Screwdriver



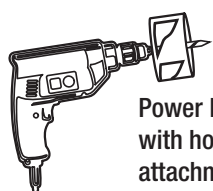
Phillips Screwdriver



Electrical Tape



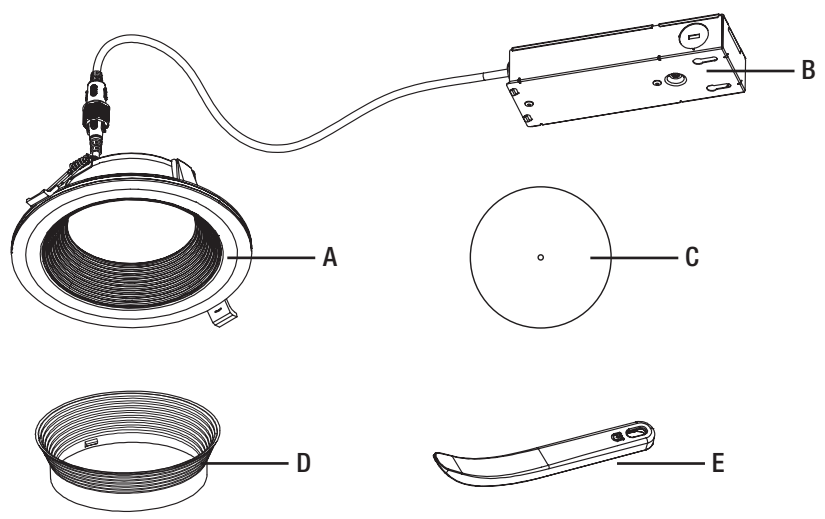
Wire Cutters



Power Drill with hole saw attachment

PACKAGE CONTENTS

Part	Description	Quantity
A	LED Downlight	1
B	Electrical Box	1
C	Hole Template	1
D	Black Trim Ring	1
E	Lever	1



Installation



WARNING: RISK OF ELECTRIC SHOCK. Ensure the electricity to the wires you are working on is shut off. Either remove the fuse or turn off the circuit breaker before removing an existing light fixture or installing the new one.

Item # 1000000000/Model # 53823101 can be installed into holes cut in the drywall that are between 6 1/4" and 6 7/8", 6 1/2" is suggested.
Item # 1000000000/Model # 53822101 can be installed into holes cut in the drywall that are between 4" and 4 3/4", 4 1/2" is suggested.

1 Preparing to mount the downlight

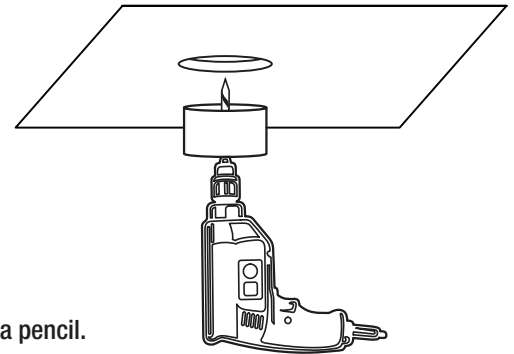
Make sure the power is turned off at the source to the location where the LED downlight (A) will be installed.

If installing the LED downlight (A) in a pre-existing hole:

- Remove the existing can or fixture and set aside since it will not be needed.
- Measure the ceiling hole to make sure it is the correct size for the fixture.

If installing the LED downlight (A) in a new ceiling location:

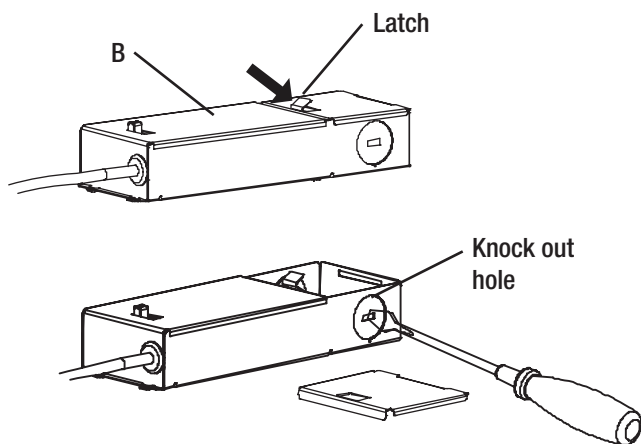
- Place the hole template (C) over the desired location and trace the outline with a pencil.
- Cut out the marked opening in the ceiling with a hole saw (not included).



NOTE: 1/2" or 5/8" drywall recommended for easy installation.

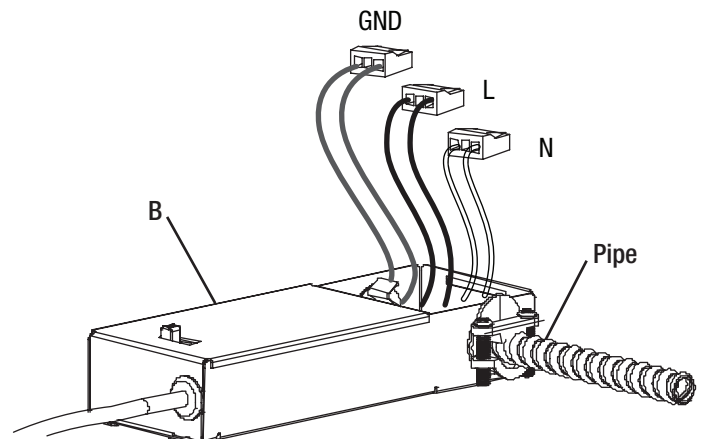
2 Preparing to wire the downlight

- Slide the latch on the cover of the electrical box (B) toward the center to open the cover.
- Remove one of the knock out holes on the side of the electrical box (B), based on the installation position.



3 Making the electrical connections

- Insert a pipe (not included) in the open knock out hole of the electrical box (B), and feed the wires from the electrical source through the open knock out hole.
- Insert the hot and neutral (black and white) wires from the electrical source into the wire connectors of the same color wires in the electrical box.
- Insert the ground wire from the electrical source into the wire connector attached to the green wire from the electrical box.
- Close the electrical box cover.



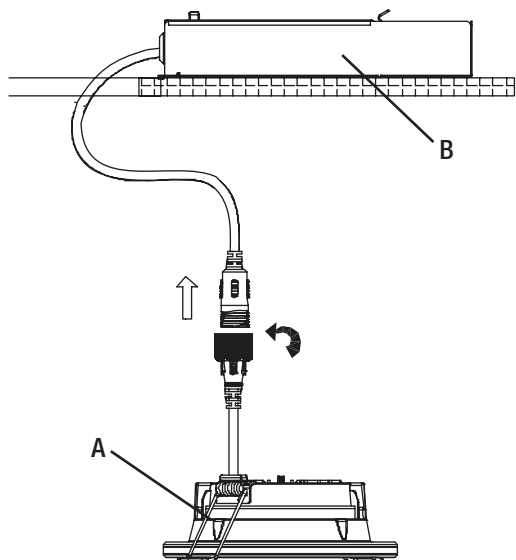
Installation (continued)

4 Positioning the electrical box

- Place the electrical box (B) through the cut-out hole in the ceiling and position it where desired.

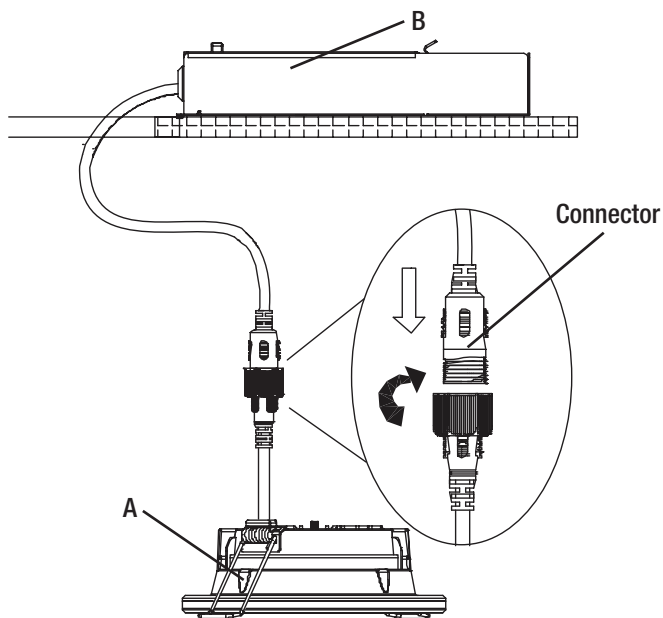


NOTE: The electrical box (B) must be no more than 22 inches from the edge of the downlight based on the length of the connector cables.



5 Connecting the electrical box to the LED Downlight

- Plug the male connector from the electrical box (B) into the female connector from the LED downlight (A).
- Twist the two parts of the connector in opposite directions to lock them together.

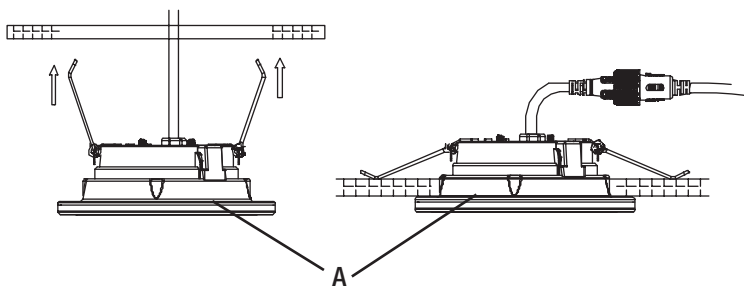


6 Positioning the LED downlight

- One at a time, flip the clips on the LED downlight (A) up and insert into the opening in the ceiling.
- Once both clips are inside the cut-out, gently push the LED downlight (A) upward until the trim is flush with the ceiling surface.



NOTE: Select the preferred color temperature of the light before inserting the LED downlight (A) into the ceiling opening.



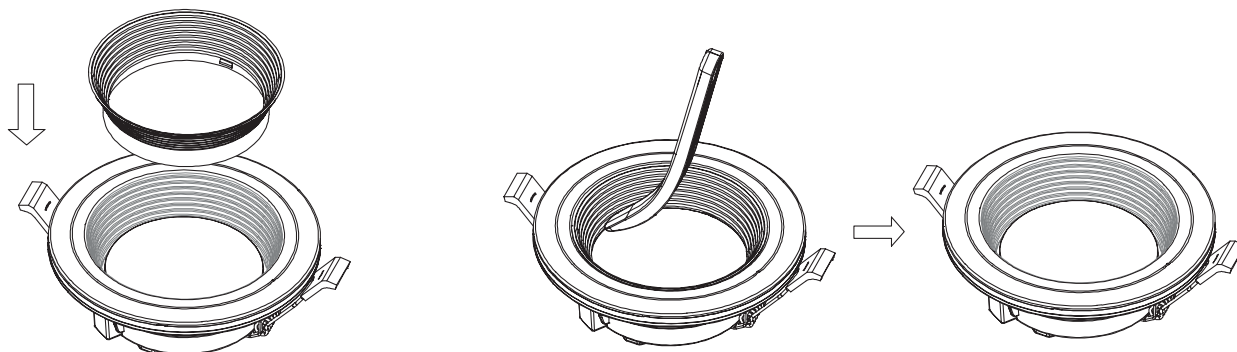
7 Activating the LED downlight

- Restore power at the electrical panel.
- Turn on the light switch to activate the fixture.

Changing Black Trim Ring

This downlight allows you to change the color of the trim ring to black.

1. Carefully snap the black trim ring (D) into the center of the LED light module (A).
2. The black trim ring (D) can be removed from the LED light module (A) by using the lever (E) easily.



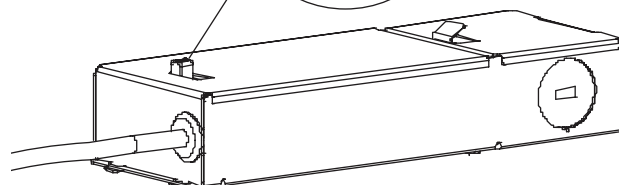
Adjusting the Color Temperature of the Light

This LED downlight allows you to customize the color temperature of the light using five settings from warm white to daylight.

- Choose your favorite correlated color temperature (CCT) from five options: 2700K warm white, 3000K soft white, 3500K neutral white, 4000K bright white, or 5000K daylight.
- Move the toggle switch on the side of the LED downlight (A) to make your selection before inserting the LED downlight (A) into the ceiling.

Color Temperature Toggle Switch

2700K
3000K
3500K
4000K
5000K



NOTE: The factory setting for the correlated color temperature (CCT) is 2700K, which is the warmest white light.

Selecting Downlight or Nightlight Mode

The product can be used in one of two modes: downlight mode, which provides full brightness and allows selection from five color temperatures, or nightlight mode. Nightlight mode provides reduced light output at 2000K color temperature for very soft illumination at night.

To turn on the main downlight:

- Turn on the light switch to activate the light fixture.

To change to nightlight mode with reduced light output from the trim ring:

- Switch the downlight off and back on again to activate nightlight mode.



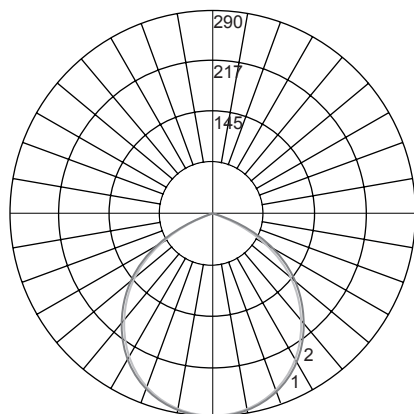
NOTE: The main downlight will not provide light output when the nightlight trim is illuminated.

To return to downlight mode with full light output when in nightlight mode:

- Switch the downlight off and back on again to activate the downlight mode.

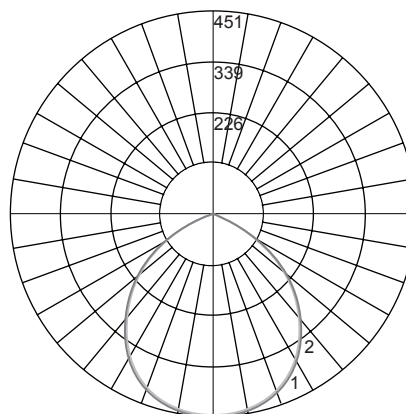
Light Distribution

Item # 1000000000 /Model # 53822101



Maximum Candela = 289.985
 Located At Horizontal Angle = 0, Vertical Angle = 0
 # 1 - Vertical Plane Through Horizontal Angles (0-180)
 # 2 - Vertical Plane Through Horizontal Angles (90-270)

Item # 1000000000 /Model # 53823101



Maximum Candela = 451.485
 Located At Horizontal Angle = 0, Vertical Angle = 0
 # 1 - Vertical Plane Through Horizontal Angles (0-180)
 # 2 - Vertical Plane Through Horizontal Angles (90-270)

Care and Cleaning



CAUTION: Before attempting to clean the fixture, disconnect the power to the fixture by turning the breaker off or removing the fuse from the fuse box.

- Clean the fixture with a soft, dry cloth.
- Do not use cleaners with chemicals, solvents, or harsh abrasives.
- Do not use liquid cleaner on the LEDs, LED driver, or wiring inside the light fixture.

Troubleshooting



WARNING: Before doing any work on the fixture, disconnect power to the light fixture.

Minor problems often can be fixed without the help of an electrician.

Problem	Possible Cause	Solution
The fixture will not light.	The power is off.	Ensure the power supply is on.
	The circuit breaker is off.	Ensure the circuit breaker is in the on position.
	There is a bad connection.	Check to ensure proper wire connections are made. Contact a qualified electrician.
	There is a defective switch.	Contact a qualified electrician.
The fuse blows or the circuit breaker trips when the light is turned on.	The wires are crossed or the power wire is grounding out.	Check the wire connections. Contact a qualified electrician or call Commercial Electric customer service 1-877-527-0313.
The light fixture flickers or makes a buzzing sound.	The dimmer circuit is not compatible with the product.	Check the product page at www.HomeDepot.com for a list of compatible dimmers.
	The dimming circuit is set outside the dimming range of the product.	Turn or slide the dimmer switch to adjust the light output until the flickering or buzzing stops.



Questions, problems, missing parts? Before returning to the store,
call Commercial Electric Customer Service
8 a.m. - 7 p.m., EST, Monday - Friday
9 a.m. - 6 p.m., EST, Saturday

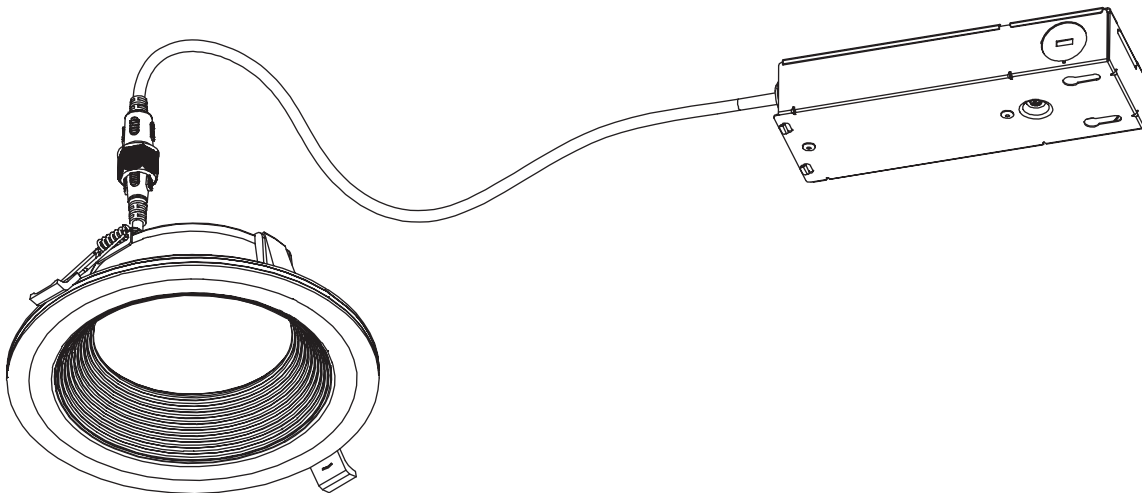
1-877-527-0313

HOMEDEPOT.COM

Retain this manual for future use.

MANUAL DE USO Y CUÍDADO

DEFLECTOR ESCALONADO DE GRAN CALIDAD CON LUZ NOCTURNA 4 PULG., 6 PULG.



¿Preguntas, problemas, piezas faltantes? Antes de devolver el producto a la tienda, llame al Centro de Atención al Cliente de Commercial Electric en el horario de 8 a.m. – 7 p.m., Hora del Este de EE.UU., de lunes a viernes.
9 a.m. – 6 p.m., Hora del Este de EE.UU., sábados.



1-877-527-0313

HOMEDEPOT.COM



GRACIAS

Apreciamos la confianza que ha puesto en Hampton Bay a través de la compra de esta luz LED. Nos esforzamos por crear constantemente productos diseñados para realzar su hogar. Visítenos en línea para ver nuestra gama completa de productos disponibles para sus necesidades al momento de hacer mejoras en su hogar. ¡Muchas gracias por elegir a Commercial Electric!

Contenido

Contenido	10
Información sobre seguridad	10
Garantía	10
Antes de la instalación	11
Planificación de la instalación	11
Herramientas necesarias	11
Contenido del paquete	11

Instalación	12
Cambiar los anillos negros	14
Ajustar la temperatura de color de la luz	14
Seleccionar el modo downlight o luz nocturna	14
Distribución de la luz	15
Cuidado y limpieza	15
Solution de problemas	15

Información sobre seguridad



ADVERTENCIA: Lea cuidadosamente y comprenda la información incluida en este manual antes de comenzar el armado e instalación. No hacerlo, puede provocar descarga eléctrica, incendio, u otras lesiones que pueden ser peligrosas o incluso fatales.



ADVERTENCIA: Riesgo de incendio o descarga eléctrica. La instalación de kit renovación LED debe ser realizada por una persona familiarizada con la fabricación y el funcionamiento de la lámpara o del sistema eléctrico de la luminaria y con los peligros involucrados. Si usted no cuenta con dicho conocimiento, no intente realizar la instalación. Póngase en contacto con un electricista calificado.



ADVERTENCIA: No realice ni modifique ningún orificio abierto en un recinto de cableado o componentes eléctricos durante la instalación del kit.



ADVERTENCIA: Para evitar que los cables se dañen o se pelen, no los exponga, a los bordes de láminas de metal o a otros objetos afilados.

NOTICE: NO UTILIZAR PARA LA ILUMINACIÓN DE EMERGENCIA.



ADVERTENCIA: Los cambios o modificaciones que no estén expresamente aprobados por la parte responsable del cumplimiento anulan la autoridad del usuario de operar el equipo.

NOTA: Este equipo ha sido sometido a prueba y se halló que cumple con límites establecidos para la clase B de dispositivos digitales, conforme a la Parte 15 de las Normas de FCC.

Estos límites se establecen para brindar protección razonable contra interferencia dañina en una instalación residencial.

Este equipo genera, utiliza y puede irradiar energía de frecuencias de radio y, si no se instala conforme a las instrucciones, puede provocar interferencia dañina a las comunicaciones de radio. A pesar de esto, no existe garantía de que la interferencia no se produzca en una instalación particular.

Si este equipo produce interferencia dañina a la recepción de radio o televisión, lo que puede determinarse encendiendo y apagando el equipo, se insta al usuario a intentar corregir la interferencia mediante uno de los siguientes métodos:

- Cambie la orientación o ubicación de la antena receptora.
- Aumente la separación entre el equipo y el receptor.
- Conecte el equipo en un enchufé que esté en un circuito diferente al cual está conectado el receptor.
- Consulte con el representante o con un técnico experimentado en radio y televisión para solicitar asistencia.

Garantía

CUBRE

El fabricante garantiza que este aparato de iluminación no tendrá defectos en los materiales o en la mano de obra por un periodo de cinco (5) años desde la fecha de compra. Esta garantía se aplica sólo al comprador consumidor original y sólo a los productos que se utilizan y reciben servicio en forma normal. Si se encuentra que este producto tiene defectos, la única obligación del fabricante, y su exclusiva solución, es reparar o reemplazar el producto a su entera discreción, siempre y cuando el producto no se haya dañado debido al mal uso, abuso, accidente, modificaciones, alteraciones, negligencias o mal manejo del mismo.

NO CUBRE

Esta garantía no se aplica a ningún producto que se ha instalado incorrectamente, ajustado o utilizado en una forma que no concuerde con las instrucciones suministradas junto con el producto. Esta garantía no se aplicará a fallas del producto como resultado de un accidente, uso incorrecto, abuso, negligencia, alteración, instalación defectuosa, o ninguna otra falla no relacionada con el material o mano de obra defectuosa. Esta garantía no se aplica a los acabados en ninguna parte del producto, tal como la superficie ni a la acción de los elementos, ya que esto se considera desgaste normal.

El fabricante no garantiza y no acepta responsabilidad, ya sea expresa o implícita de la idoneidad para un fin particular, a excepción de la garantía contenida en el presente. El fabricante niega específicamente cualquier responsabilidad y no será responsable por daños o pérdidas indirectas o consecuenciales, e incluye pero no se limita a los costos de mano de obra, gastos relacionados en el reemplazo o reparación de dicho producto.

Comuníquese con el Centro de Atención al Cliente al 1-877-527-0313 o visite HomeDepot.com.

Antes de la instalación

PLANIFICACIÓN DE LA INSTALACIÓN

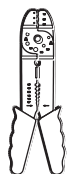
Antes de comenzar el armado, la instalación o antes de operar el producto, asegúrese de que tiene todas las piezas. Compare las piezas con la lista del contenido incluyda. Si falta alguna pieza o si está dañada, no comience a armar, instalar, ni operar el producto. Comuníquese con el servicio al cliente para el reemplazo de las piezas.



NOTA: Guardar el recibo de compra y estas instrucciones como prueba de compra.

Si no está familiarizado con las instalaciones eléctricas, le recomendamos que haga que un electricista calificado se ocupe de la instalación.

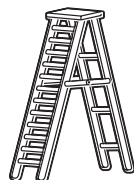
HERRAMIENTAS NECESARIAS



Alicates pelacables



Gafas de seguridad



Escalera



Guantes



Destornillador plano



Destornillador de estrella



Cinta eléctrica



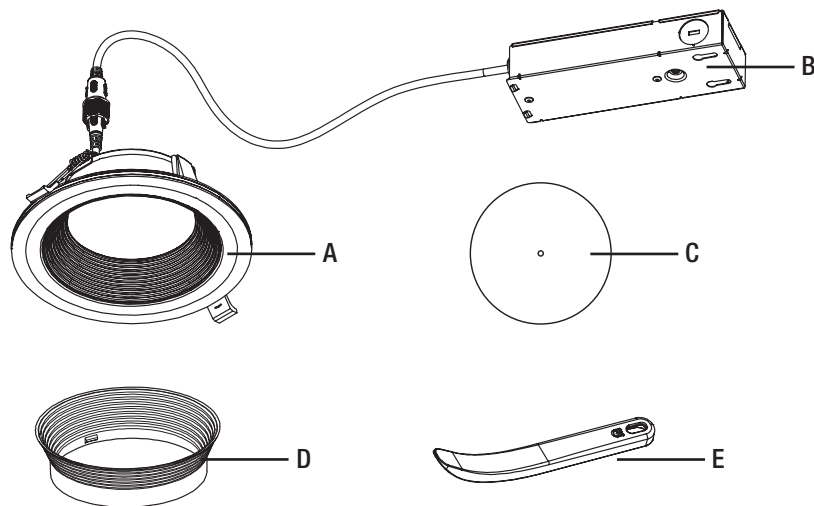
Alicates cortacables



Taladro eléctrico con sierra corona

CONTENIDO DEL PAQUETE

Pieza	Descripción	Cantidad
A	LED Downlight	1
B	Caja eléctrica	1
C	Plantilla de agujero	1
D	Anillo negro	1
E	Palanca	1



Instalación



ADVERTENCIA: RIESGO DE DESCARGA ELÉCTRICA. Asegúrese de cortar el suministro eléctrico en los cables con los que trabajará. Extraiga los fusibles o apague el cortacircuitos antes de quitar el aparato de iluminación existente o instalar uno nuevo.

Artículo # 1000000000/Modelo # 53823101 se puede instalar en orificios cortados en el panel de yeso que tengan entre 6 1/4 y 6 7/8 pulg. se sugiere 6 1/2 pulg.

Artículo # 1000000000/Modelo # 53822101 se puede instalar en orificios cortados en el panel de yeso que tengan entre 4 y 4 3/4 pulg. se sugiere 4 1/2 pulg.

1 Prepararse para montar el downlight

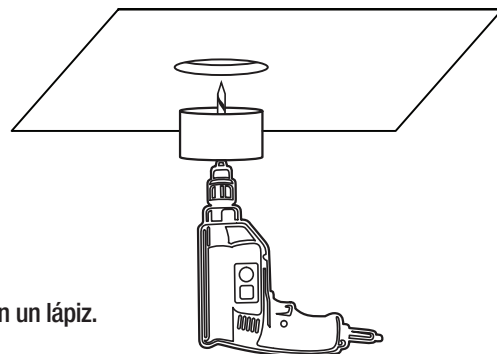
Asegúrese de que la corriente esté apagada en la fuente hasta la ubicación donde se instalará la downlight LED (A).

Si instala el downlight LED (A) en un agujero pre-existente:

- Retire la caja o lámpara existente y déjela a un lado ya que no será necesario.
- Mida el orificio del techo para asegurarse de que sea del tamaño correcto.

Si instala el downlight LED (A) en una nueva ubicación en el techo:

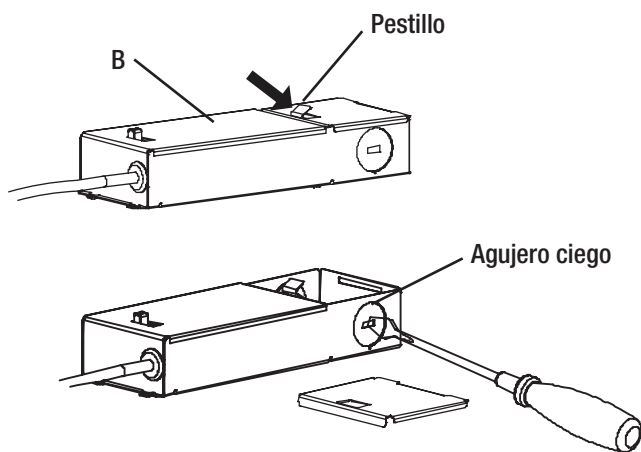
- Coloque la plantilla del orificio (C) sobre la ubicación deseada y trace el contorno con un lápiz.
- Recorte la abertura marcada en el techo con una sierra corona (no incluida).



NOTA: Se recomienda un panel de yeso de 1/2 o 5/8 pulg. para una instalación fácil.

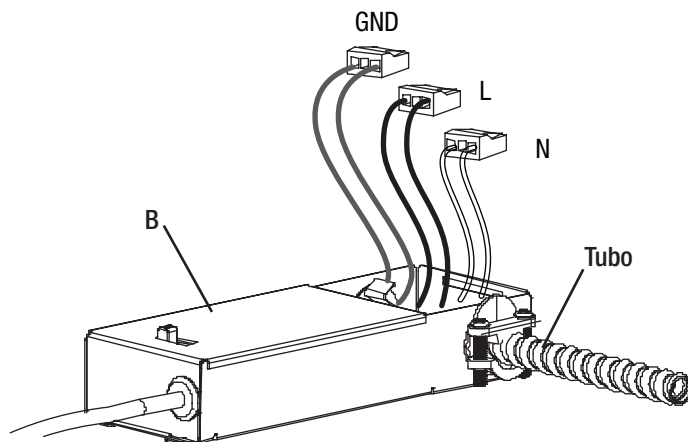
2 Prepararse para conectar el downlight

- Deslice el pestillo de la tapa de la caja eléctrica (B) hacia el centro para abrir la tapa.
- Retire uno agujero ciego en el costado de la caja eléctrica (B), según la posición de instalación.



3 Hacer las conexiones eléctricas

- Inserte un tubo (no incluido) en el agujero ciego abierto de la caja eléctrica (B), y pase los cables desde la fuente eléctrica a través del agujero ciego abierto.
- Inserte los cables vivo y neutro (negro y blanco) de la fuente de electricidad en los conectores de cables del mismo color en la caja eléctrica.
- Inserte el cable de tierra de la fuente eléctrica en el conector del cable conectado al cable verde de la caja eléctrica.
- Cierre la tapa de la caja eléctrica.



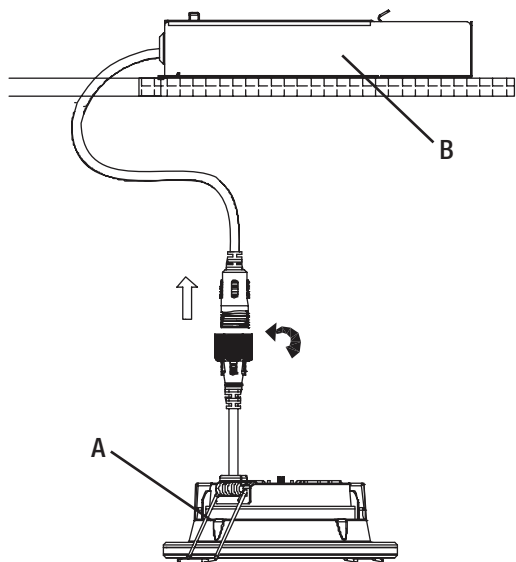
Instalación (continuación)

4 Posicionar la caja eléctrica

- Coloque la caja eléctrica (B) a través del orificio recortado en el techo y colóquelo donde desee.

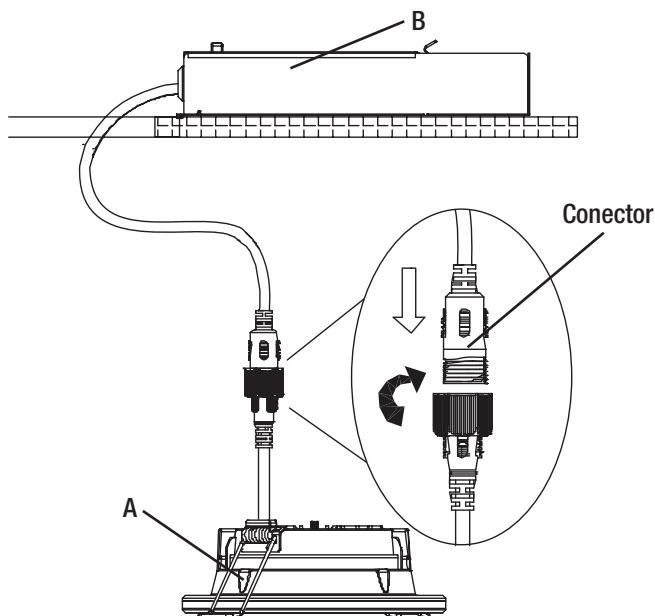


NOTA: La caja eléctrica (B) no debe estar a más de 22 pulg. del downlight edgelit en función de la longitud de los cables del conector.



5 Conectar la caja eléctrica a la downlight LED

- Enchufe el conector macho de la caja eléctrica (B) en el conector hembra del downlight LED (A).
- Gire las dos partes del conector en direcciones opuestas para unirlos.

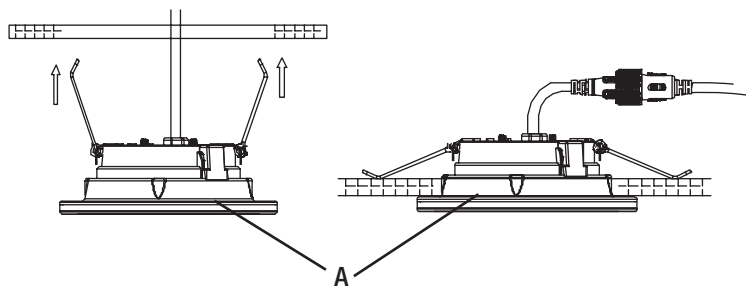


6 Colocar el downlight LED

- Uno a la vez, voltee los clips en la downlight LED (A) e insértelos en la abertura del techo.
- Una vez que ambos clips estén dentro del corte, empuje suavemente la downlight LED (A) hacia abajo hasta que la moldura quede alineada con la superficie del techo.



NOTA: Seleccione la temperatura de color de luz preferida antes de empujar el downlight LED (A) hacia la abertura.



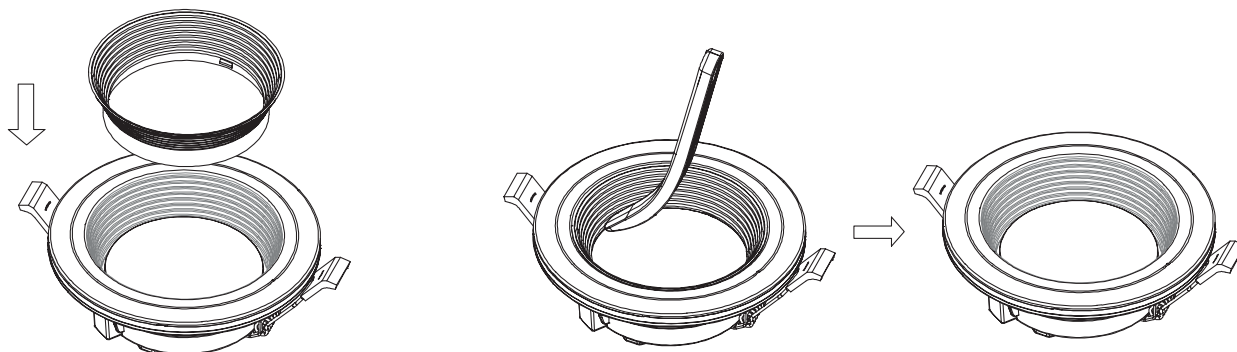
7 Energizar la downlight LED

- Restaure la alimentación de la caja eléctrica.
- Encienda el interruptor de luz para activar la lámpara.

Cambiar los anillos negros

Este downlight le permite cambiar el color del anillo de ajuste a negro.

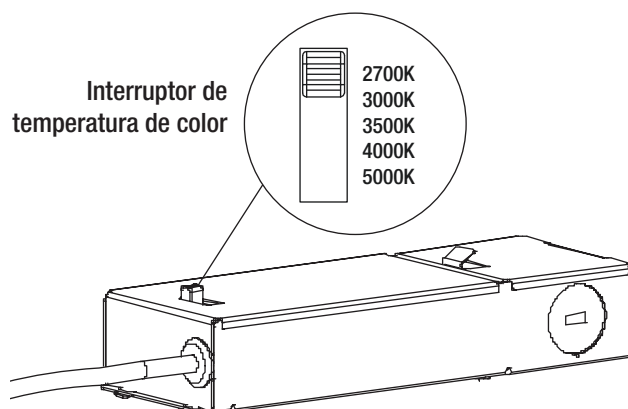
1. Coloque con cuidado el anillo escalonado negro (D) en el centro del módulo de luz LED (A).
2. El anillo escalonado negro (D) se puede quitar fácilmente del módulo de luz LED (A) usando la palanca (E).



Ajustar la temperatura de color de la luz

Este Downlight LED le permite ajustar la temperatura de color de la luz usando cinco ajustes: blanco cálido a luz del día.

- Elija una de las cinco posibles temperaturas de color correlacionadas (CCT): 2700K blanco cálido, 3000K blanco suave, 3500K blanco neutro, 4000K blanco brillante, or 5000K luz del día.
- Coloque el interruptor en el lado de la caja eléctrica del downlight LED (A) para realizar la selección antes de empujar el downlight LED (A) en el techo.



NOTA: El ajuste de la temperatura de color correlacionada (CCT) de fábrica es 2700K, que es la luz blanca cálida.

Seleccionar el modo downlight o luz nocturna

El producto se puede usar en uno de dos modos: modo downlight, que proporciona un brillo total y permite la selección de cinco temperaturas de color, o modo de luz nocturna. El modo de luz nocturna proporciona una potencia luminosa reducida a 2000K para una iluminación muy suave durante la noche.

Para encender el downlight principal:

- Encienda el interruptor para activar la lámpara.

Para cambiar al modo de luz nocturna con potencia luminosa reducida desde el anillo:

- Apague el downlight y vuelva a encenderlo para activar el modo de luz nocturna.



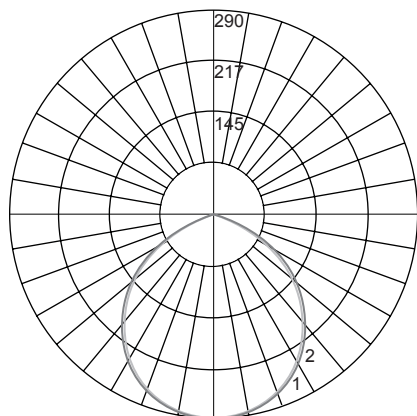
NOTA: El downlight principal no se encenderá cuando el anillo de luz nocturna esté activado.

Para volver al modo de downlight con potencia luminosa completa cuando está en modo de luz nocturna:

- Apague el downlight y vuelva a encenderlo para activar el modo downlight.

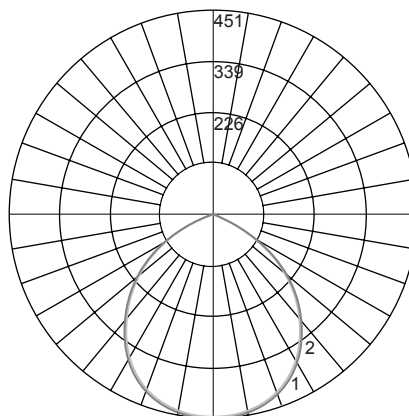
Distribución de la luz

Artículo # 1000000000 /Modelo # 53822101



Candela máxima = 289.985
 Situado en ángulo horizontal = 0, ángulo vertical = 0
 # 1 - Plano vertical a través de ángulos horizontales (0 - 180)
 # 2 - Ángulos horizontales de plano vertical (90 - 270)

Artículo # 1000000000 /Modelo # 53823101



Candela máxima = 451.485
 Situado en ángulo horizontal = 0, ángulo vertical = 0
 # 1 - Plano vertical a través de ángulos horizontales (0 - 180)
 # 2 - Ángulos horizontales de plano vertical (90 - 270)

Cuidado y limpieza



PRECAUCIÓN: Antes de limpiar el aparato, desconecte el suministro eléctrico hacia este apagando el cortacircuitos o extrayendo el fusible de la caja de fusibles.

- Limpie la lámpara con un paño suave y seco.
- No utilice limpiadores con productos químicos, solventes o abrasivos.
- No use limpiador líquido en las bombillas LED, en la unidad LED ni en los cables que están dentro de la lámpara.

Solución de problemas



ADVERTENCIA: Antes de realizar cualquier trabajo en la lámpara, desconecte la electricidad que la alimenta.

Los problemas menores pueden arreglarse sin ayuda de un electricista.

Problema	Posible causa	Medida correctiva
La lámpara no enciende.	El suministro eléctrico está cortado.	Asegúrese de que el suministro eléctrico esté activado.
	El interruptor está apagado.	Asegúrese de que el interruptor esté en la posición de encendido.
	Hay una mala conexión.	Revise para asegurarse de que se hayan conectado los cables de forma correcta. Comuníquese con un electricista calificado.
	Hay un interruptor defectuoso.	Comuníquese con un electricista calificado.
El fusible se quema o salta el interruptor cuando se enciende la lámpara.	Los cables están cruzados o el cable de suministro eléctrico no está puesto a tierra.	Verifique las conexiones de los cables. Comuníquese con un electricista calificado o llame al Centro de Atención al Cliente de Commercial Electric 1-877-527-0313.
La lámpara parpadea o emite un zumbido.	El circuito de atenuación no es compatible con el producto.	Consulte la página de productos en www.HomeDepot.com para obtener una lista de atenuadores compatibles.
	El circuito de regulación se establece fuera del rango de atenuación del producto.	Gire o deslice el interruptor de atenuación para ajustar la salida de luz hasta que el parpadeo o el zumbido se detenga.



¿Preguntas, problemas, piezas faltantes? Antes de devolver el producto a la tienda,
llame al Centro de Atención al Cliente de Commercial Electric en el horario de
8 a.m. – 7 p.m., Hora del Este de EE.UU., de lunes a viernes.
9 a.m. – 6 p.m., Hora del Este de EE.UU., sábados.

1-877-527-0313

HOMEDEPOT.COM

Conserve este manual para uso futuro.