

8.5"

Quick Start Assembly/Install Instructions

CLEARSTREAM™ STM-715 and STM-1000

Before attaching the antenna to any surface, TEST RECEPTION in that area.

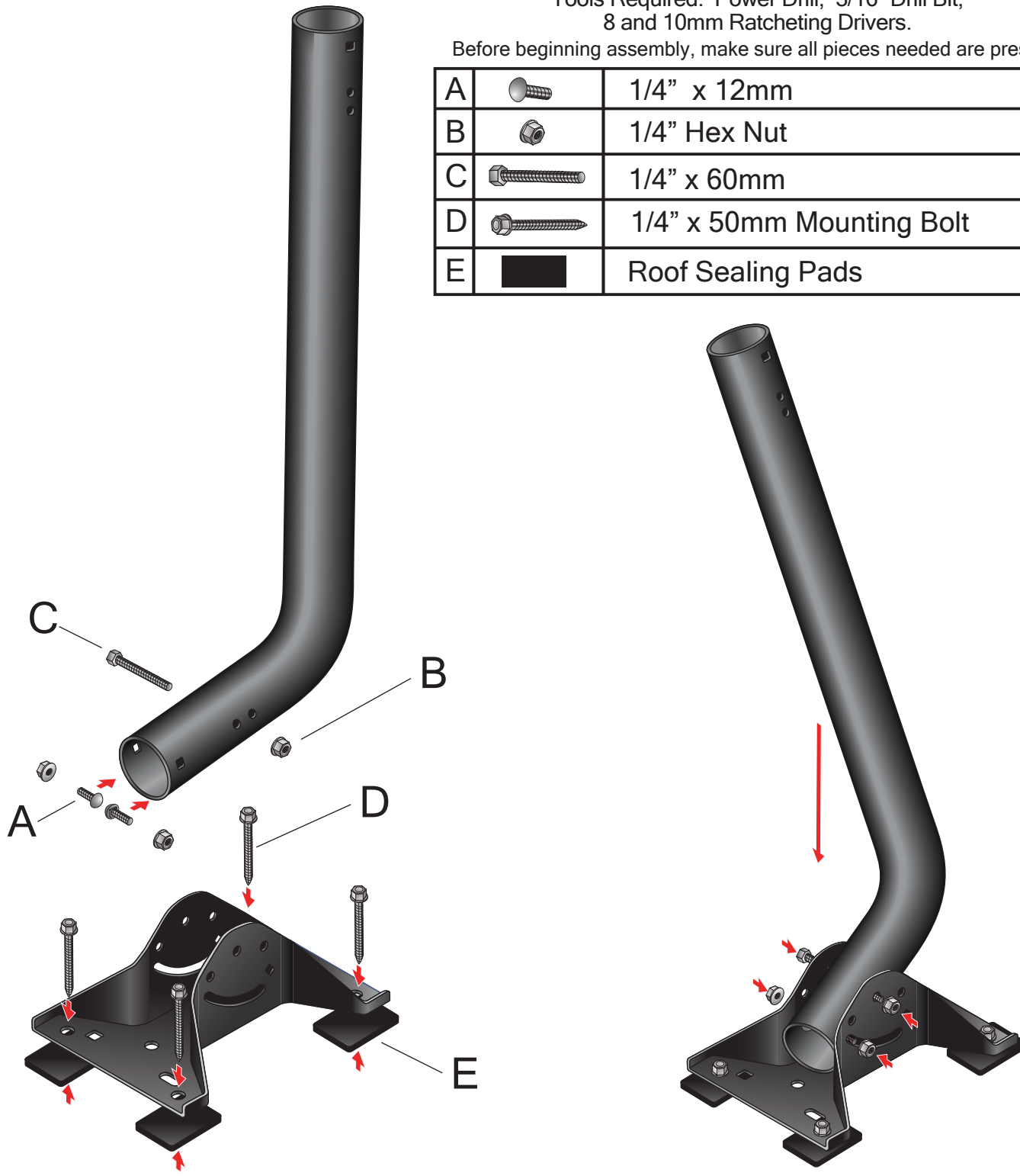
Connect the antenna to the TV or receiver and run a full channel scan. If reception is not as desired, move the antenna and rescan TV/receiver.

Tools Required: Power Drill, 3/16" Drill Bit, 8 and 10mm Ratcheting Drivers.

Before beginning assembly, make sure all pieces needed are present.

A		1/4" x 12mm	2
B		1/4" Hex Nut	3
C		1/4" x 60mm	1
D		1/4" x 50mm Mounting Bolt	4
E		Roof Sealing Pads	4

11"



Call to Learn. Technical Assistance is available Monday - Friday, 9am - 9pm Central Time
 1-877-825-5572 and Saturday - Sunday, 10am - 6pm.