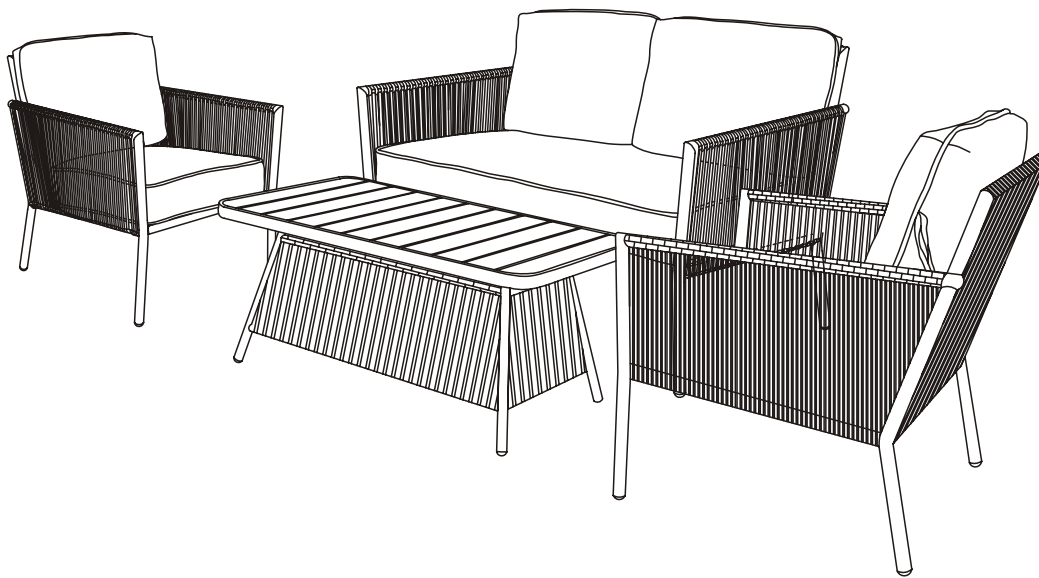


Item #1000 000 000  
Model #LG19189-4PC

# HAMPTON BAY®

## USE AND CARE GUIDE

### TOLSTON 3-PIECE WICKER OUTDOOR CHAT SET WITH CHARCOAL CUSHIONS



**Questions, problems, missing parts? Before returning to the store,  
call Hampton Bay Customer Service  
8 a.m. – 7 p.m., EST, Monday – Friday, 9 a.m. – 6 p.m., EST, Saturday**

**1-855-HD-HAMPTON  
HAMPTONBAY.COM**

---

#### **THANK YOU**

***We appreciate the trust and confidence you have placed in Hampton Bay through the purchase of this conversation set. We strive to continually create quality products designed to enhance your home. Visit us online to see our full line of products available for your home improvement needs. Thank you for choosing Hampton Bay!***

# Table of Contents

Table of Contents.....	2	Pre-Assembly.....	3
Important Safety Instruction.....	2	Planning Assembly.....	3
Save These Instructions.....	2	Hardware Included.....	3
Read All Instructions Before Use.....	2	Chair Package Content.....	4
Warranty.....	3	Loveseat Package Content.....	5
What is Covered.....	3	Table Package Content.....	6
What is not Covered.....	3	Chair Assembly.....	7
		Loveseat Assembly.....	10
		Table Assembly.....	13
		Care and Cleaning.....	15

## Important Safety Instructions

### SAVE THESE INSTRUCTIONS



**WARNING:** This chat set was made for the explicit purpose of providing outdoor functions and is not to be used as a toy. This product is intended for normal outdoor use; the manufacturer recommends storing and / or covering this set when any formidable / severe weather is approaching.



**WARNING:** Do not locate this product near open flames. Do not use this product as a support. Do not shake, lean or climb on the product. Children under the age of 10, near the product, should be supervised by a competent adult at all times. This product is NOT intended for commercial use and will void the warranty.

### READ ALL INSTRUCTIONS BEFORE USE

To reduce the risk of injury to persons:

1. Close supervision is necessary when this product is used by or near children, or disabled persons, if applicable.
2. Use this product only for its intended use as described in these instructions. Do not use attachments not recommended by the manufacturer.
3. Do not move the chair or table while they are occupied. Failure to obey this caution could result in injury.
4. Do not rock in the chair or table as you may fall and cause serious injury.
5. Please keep children out of the assembly area before

assembly.



**WARNING:** Do not place heavy objects on the chair or table top.



**WARNING:** Weight limit is 250 lbs (113.39kg) for each seat.



**CAUTION:** Do not locate the product near any heat source.



**WARNING:** This conversation set is heavy, and may require two adults for safe assembly.

# Warranty

## 2 YEAR FRAME AND 2 YEAR FABRIC LIMITED WARRANTY

### WHAT IS COVERED

We warrant the frames to be free of manufacturing defects to the original purchaser for two years, and a two year limited warranty for the fabric.

### WHAT IS NOT COVERED

It remains the customer's responsibility for freight and packaging charges to and from our service center. This warranty does not cover commercial use, hardware, acts of nature, fire, freezing and abusive use. In addition, purchased parts are not covered under this warranty. We reserve the right to make substitutions with similar merchandise, if the model in question is no longer in production.

Contact the Customer Service Team at 1-855-HD-HAMPTON or visit [www.Hamptonbay.com](http://www.Hamptonbay.com).

# Pre-Assembly

## PLANNING ASSEMBLY

Read all instructions before assembly.

To avoid damaging this product, assemble it on a soft, non-abrasive surface such as carpet or cardboard.



**NOTE:** More than one person may be required to assemble this product.

## HARDWARE INCLUDED



**NOTE:** Hardware not shown to actual size.



\_\_\_ AA



\_\_\_ BB



\_\_\_ CC



\_\_\_ DD

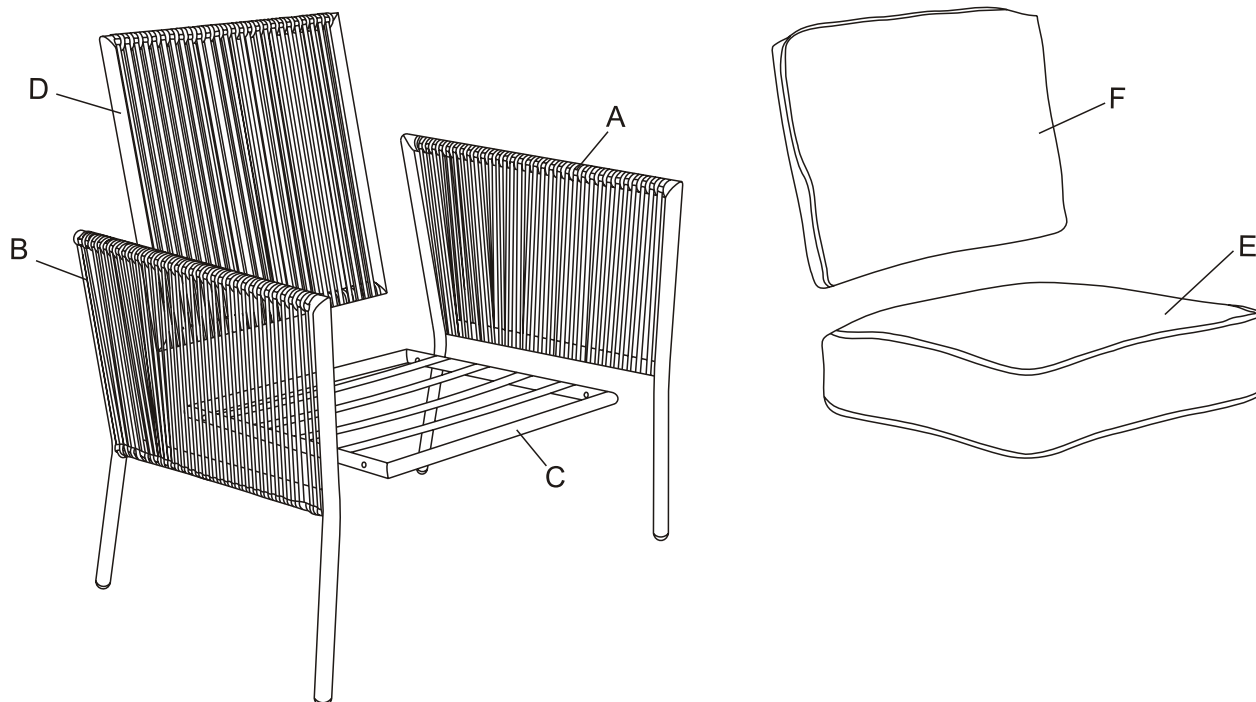
Part	Description	Quantity
AA	Combination Bolt (1/4 in x 2.559"L + 1/4 in)	30+2
BB	Combination Bolt (1/4 in x 0.591"L + 15 $\Phi$ x 7 $\Phi$ x 1.2T)	8+2
CC	Plastic Bolt Cap (1/4 in)	38+4
DD	Allen Wrench (1/4 in)	2

## Pre-Assembly (continued)

### CHAIR PACKAGE CONTENTS



**IMPORTANT: DO not fully tighten bolts/screws until all pieces are loosely assembled.**



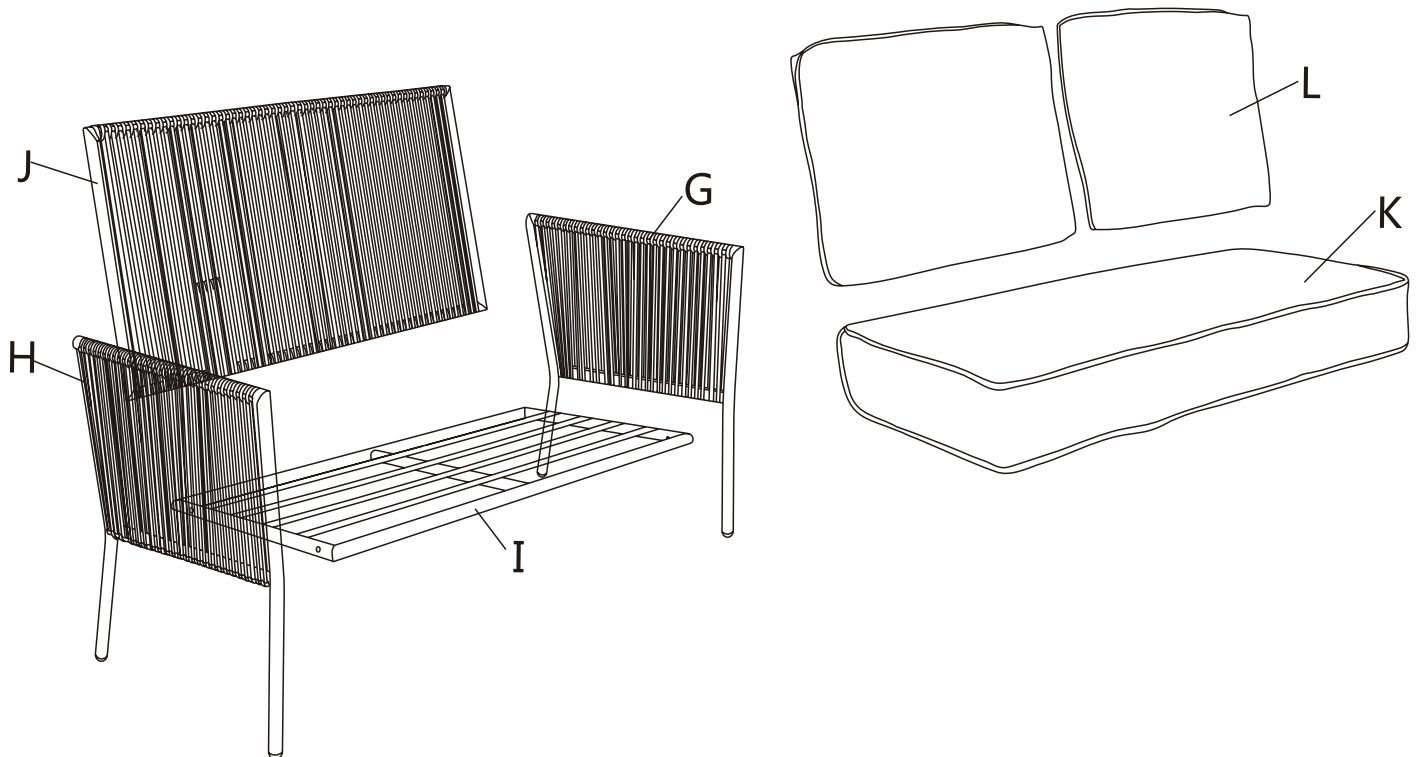
Part	Description	Quantity
A	Left arm	2
B	Right arm	2
C	Chair seat	2
D	Chair back	2
E	Seat cushion	2
F	Back cushion	2

## Pre-Assembly (continued)

### LOVESEAT PACKAGE CONTENTS



**IMPORTANT:** DO not fully tighten bolts/screws until all pieces are loosely assembled.



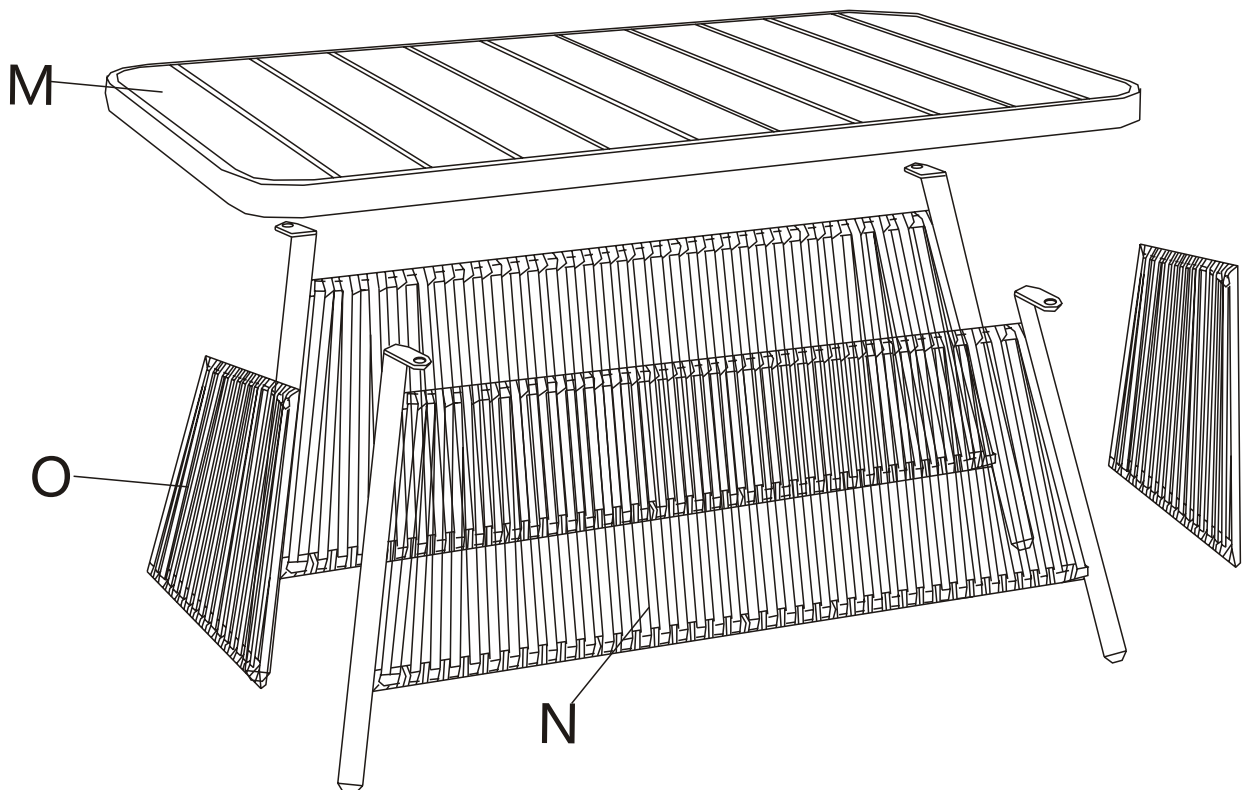
Part	Description	Quantity
G	Left arm	1
H	Right arm	1
I	Chair seat	1
J	Chair back	1
K	Seat cushion	1
L	Back cushion	2

## Pre-Assembly (continued)

### TABLE PACKAGE CONTENTS



**IMPORTANT: DO not fully tighten bolts/screws until all pieces are loosely assembled.**



Part	Description	Quantity
M	Table top	1
N	Skirt	2
O	Side skirt	2

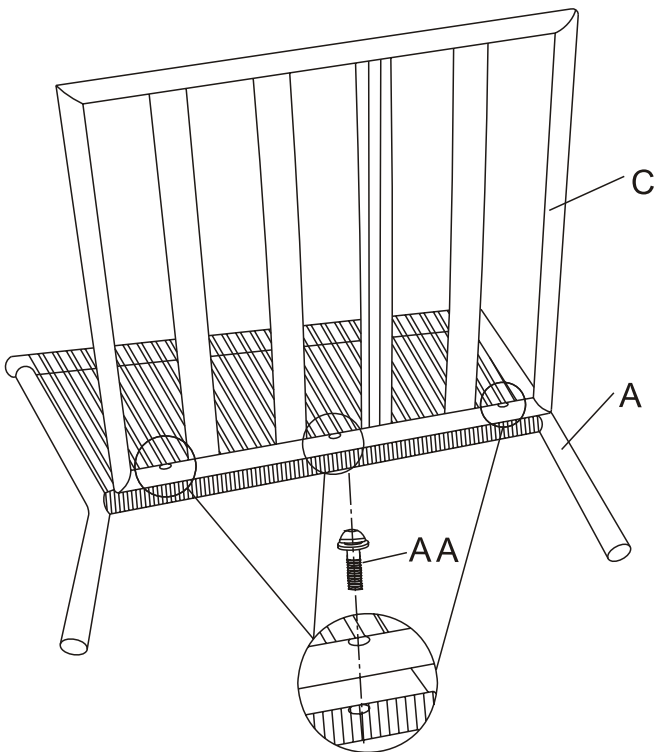
# Chair Assembly

## 1 ATTACHING THE CHAIR SEAT TO THE LEFT ARM TO THE LEFT ARM

- Attach the chair seat (C) to the left arm (A) using combination bolts (AA).



NOTE: Please ensure all the bolts are assembled correctly and use the allen wrench (DD) to tighten. Do not fully tighten bolts/screws until all pieces are loosely assembled. Add corresponding plastic bolt caps (CC) after final assembly is finished.

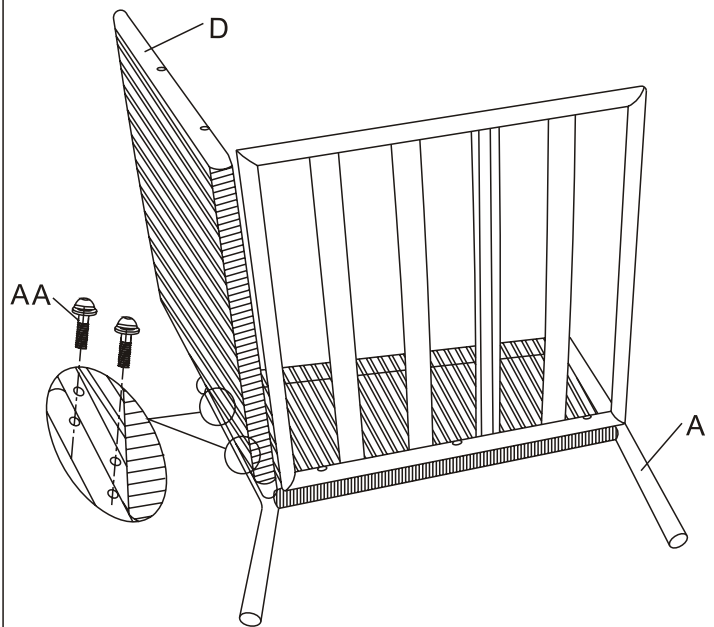


## 2 ATTACHING THE CHAIR BACK TO THE LEFT ARM TO THE LEFT ARM

- Attach the chair back (D) to the left arm (A) using combination bolts (AA).
- Do not fully tighten all bolts at this step.



NOTE: Please ensure all the bolts are assembled correctly and use the allen wrench (DD) to tighten. Do not fully tighten bolts/screws until all pieces are loosely assembled. Add corresponding plastic bolt caps (CC) after final assembly is finished.



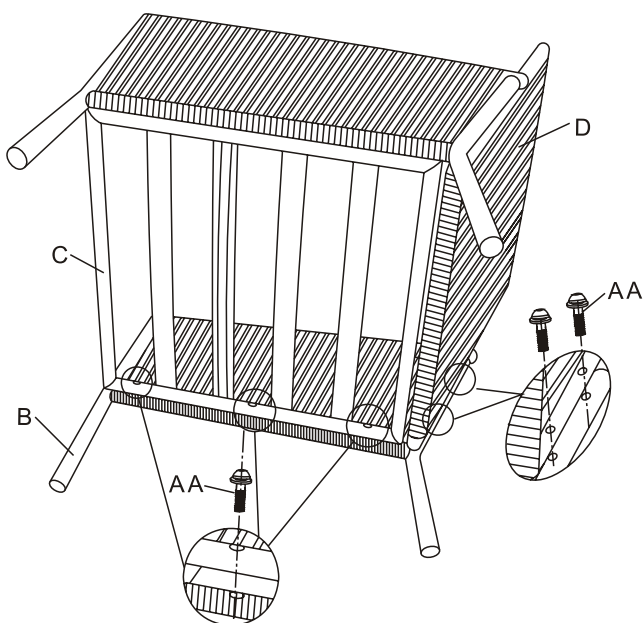
## Chair Assembly (continued)

### 3 ATTACHING THE RIGHT ARM TO THE CHAIR SEAT AND CHAIR BACK

- Attach the right arm (B) to the chair back (D) and chair seat (C) using combination bolts (AA).

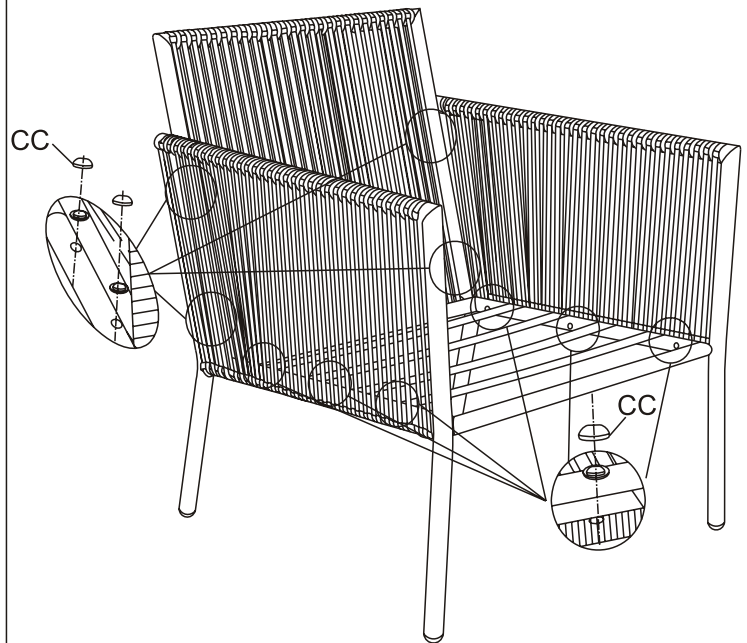


**NOTE:** Please ensure all the bolts are assembled correctly and use the allen wrench (DD) to tighten. Do not fully tighten bolts/screws until all pieces are loosely assembled. Add corresponding plastic bolt caps (CC) after final assembly is finished.



### 4 TIGHTENING THE BOLTS AND ADDING THE BOLT CAPS

- Once all of the bolts are in place, fully tighten the bolts using the allen wrench (DD).
- Install the bolt cap (CC) to every bolt.

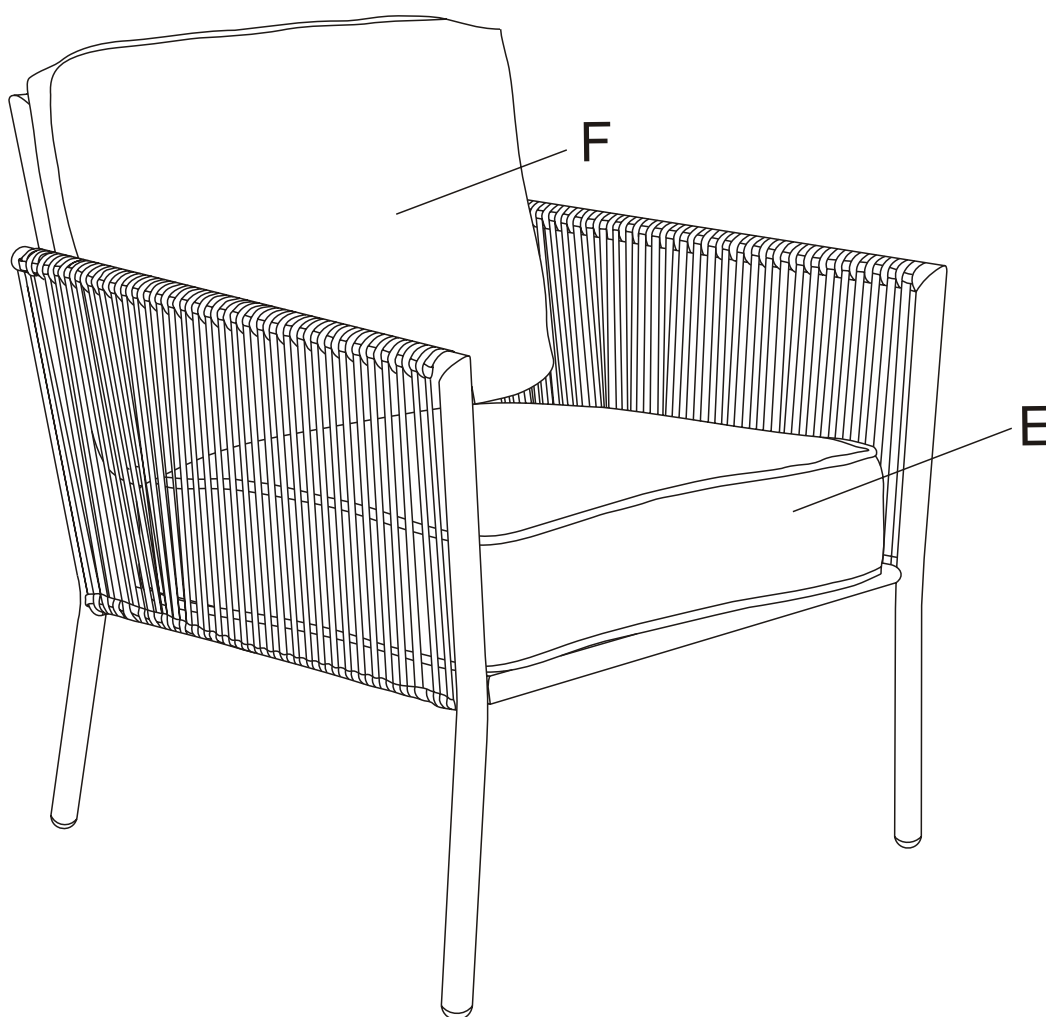




## Chair Assembly (continued)

### 5 ADDING THE CUSHIONS

- Place seat cushion (E) and back cushion (F) on the chair.
- Ensure all connections are secure before use.



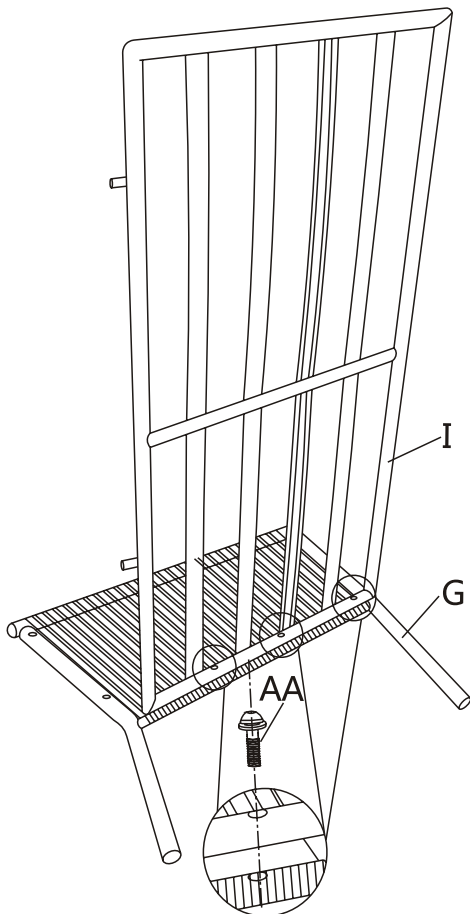
# Loveseat Assembly

## 1 ATTACHING THE LOVESEAT SEAT TO THE LEFT ARM

- Attach the loveseat seat (I) to the left arm (G) using combination bolts (AA).



**NOTE:** Please ensure all the bolts are assembled correctly and use the allen wrench (DD) to tighten. Do not fully tighten bolts/screws until all pieces are loosely assembled. Add corresponding plastic bolt caps (CC) after final assembly is finished.

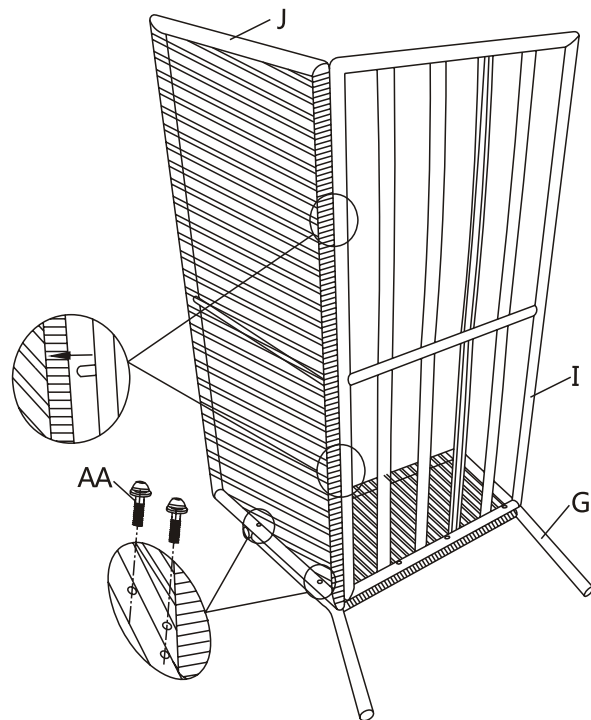


## 2 INSERTING THE LOVESEAT SEAT TO THE LOVESEAT BACK, ATTACHING LOVESEAT BACK TO THE LEFT ARM

- Insert the loveseat seat (I) to the loveseat back (J) and attach the loveseat back (J) to the left arm (G) using combination bolts (AA).
- Do not fully tighten all bolts at this step.



**NOTE:** Please ensure all the bolts are assembled correctly and use the allen wrench (DD) to tighten. Do not fully tighten bolts/screws until all pieces are loosely assembled. Add corresponding plastic bolt caps (CC) after final assembly is finished.



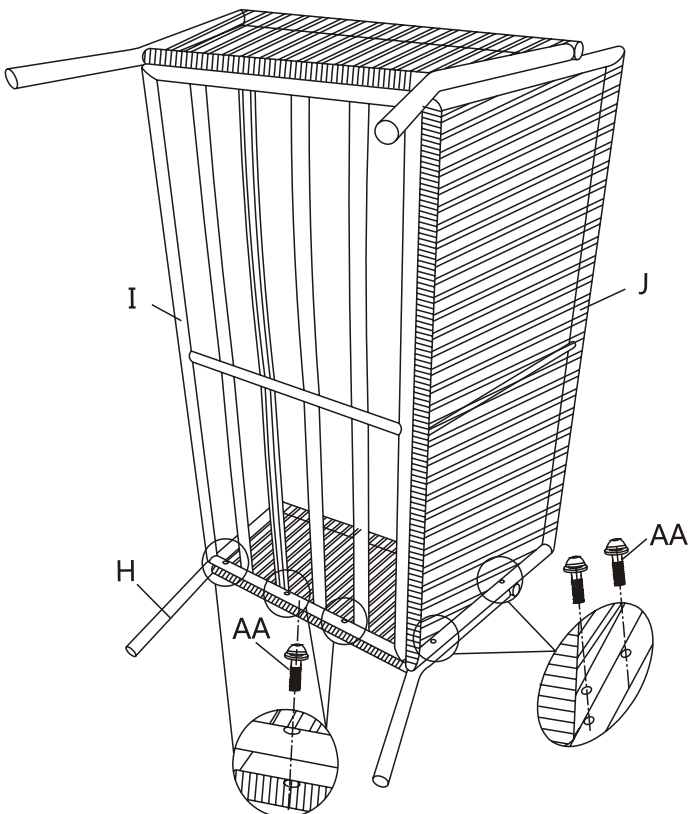
## Loveseat Assembly (continued)

### 3 ATTACHING THE RIGHT ARM TO THE LOVESEAT SEAT AND LOVESEAT BACK

- Attach the right arm (H) to the loveseat back (J) and loveseat seat (I) using combination bolts (AA).

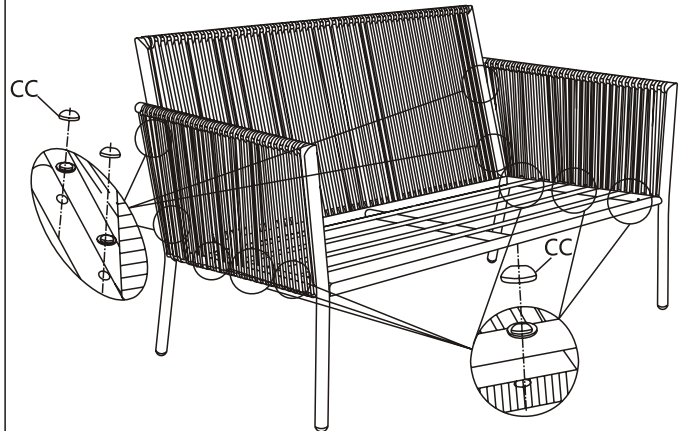


**NOTE:** Please ensure all the bolts are assembled correctly and use the allen wrench (DD) to tighten. Do not fully tighten bolts/screws until all pieces are loosely assembled. Add corresponding plastic bolt caps (CC) after final assembly is finished.



### 4 TIGHTENING THE BOLTS AND ADDING THE BOLT CAPS

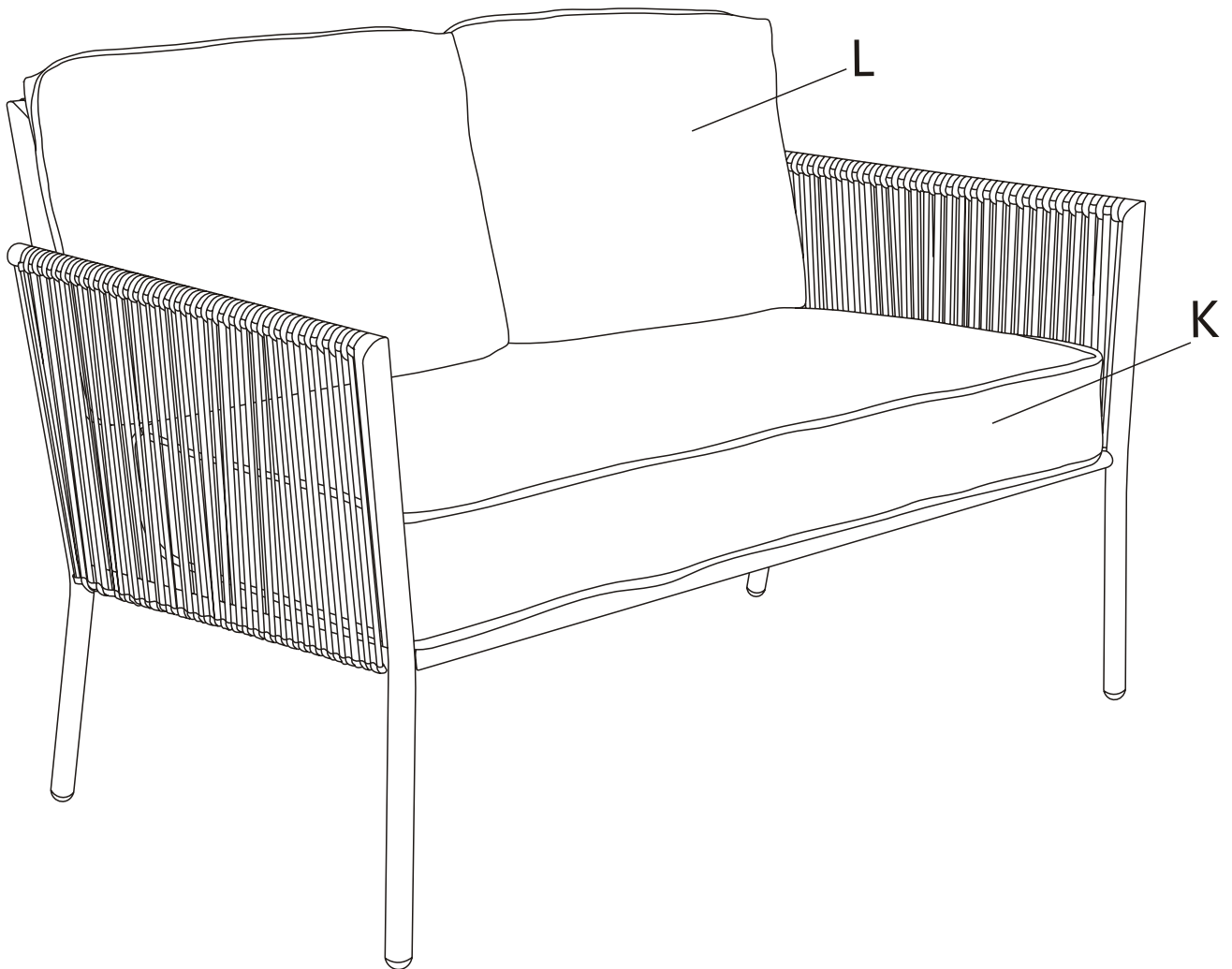
- Once all of the bolts are in place, fully tighten the bolts using the allen wrench (DD).
- Install the bolt cap (CC) to every bolt.



## Loveseat Assembly (continued)

### 5 ADDING THE CUSHIONS

- Place seat cushion (K) and back cushion (L) on the chair.
- Ensure all connections are secure before use.



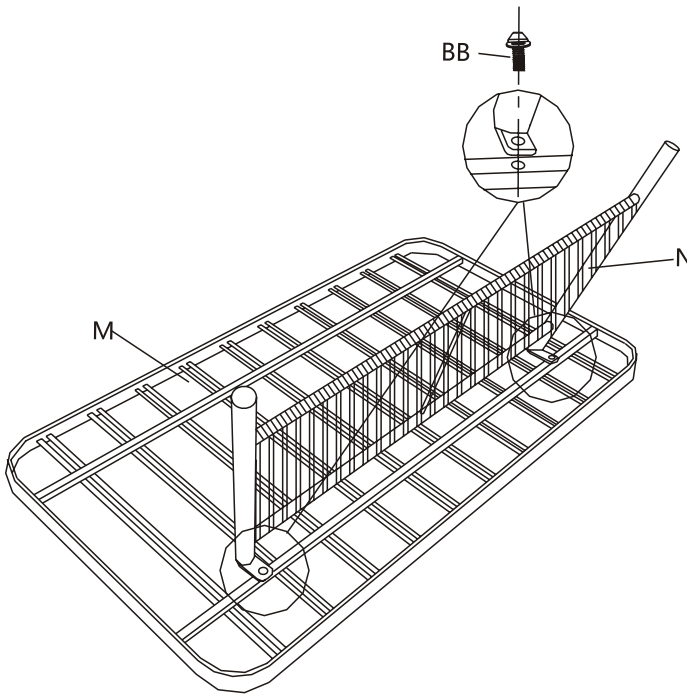
# Table Assembly

## 1 ATTACHING ONE SKIRT TO THE TABLE TOP

- Place the table top (M) upside down on a soft surface.
- Attach one skirt (N) to table top (M) using combination bolt (BB.)



NOTE: Please ensure all the bolts are assembled correctly and use the allen wrench (DD) to tighten. Do not fully tighten bolts/screws until all pieces are loosely assembled. Add corresponding plastic bolt caps (CC) after final assembly is finished.

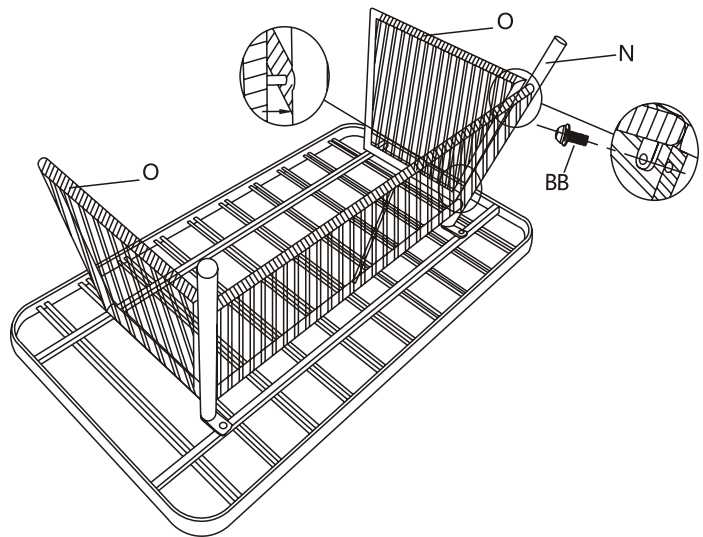


## 2 ATTACHING THE SIDE SKIRTS TO THE SKIRT

- Attach side skirts (O) to the skirt (N) using combination bolts (BB).



NOTE: Please ensure all the bolts are assembled correctly and use the allen wrench (DD) to tighten. Do not fully tighten bolts/screws until all pieces are loosely assembled. Add corresponding plastic bolt caps (CC) after final assembly is finished.



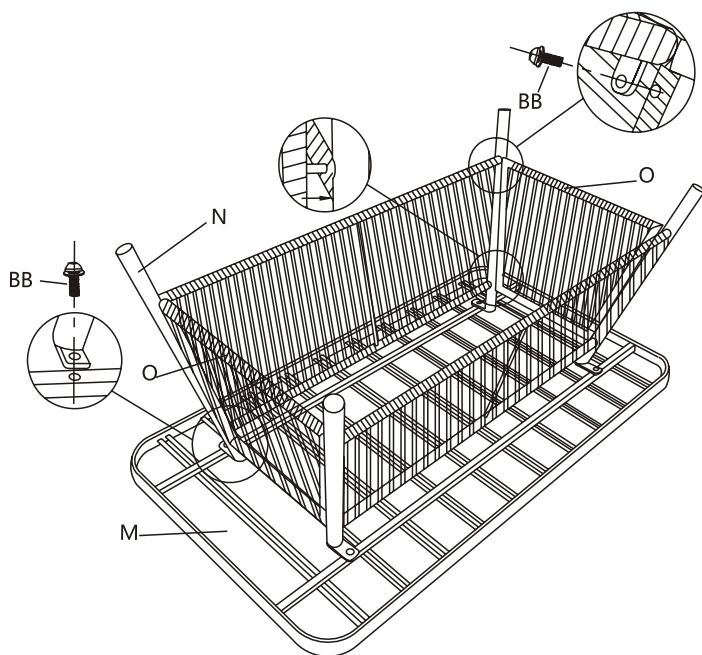
## Table Assembly (continued)

### 3 ATTACHING THE OTHER SKIRT TO TABLE TOP AND THE SIDE SKIRTS

- Attach the other skirt (N) to the table top (M) and side skirts (O) using bolts (BB).



**NOTE:** Please ensure all the bolts are assembled correctly and use the allen wrench (DD) to tighten. Do not fully tighten bolts/screws until all pieces are loosely assembled. Add corresponding plastic bolt caps (CC) after final assembly is finished.

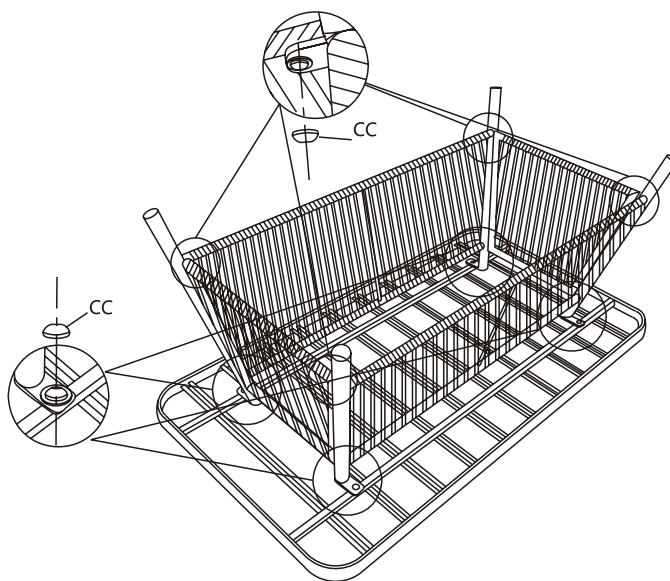


### 4 INSTALLING THE BOLT CAPS

- Once all of the bolts are in place, fully tighten the bolts using the allen wrench (DD).
- Install the bolt cap (CC) to every bolt.



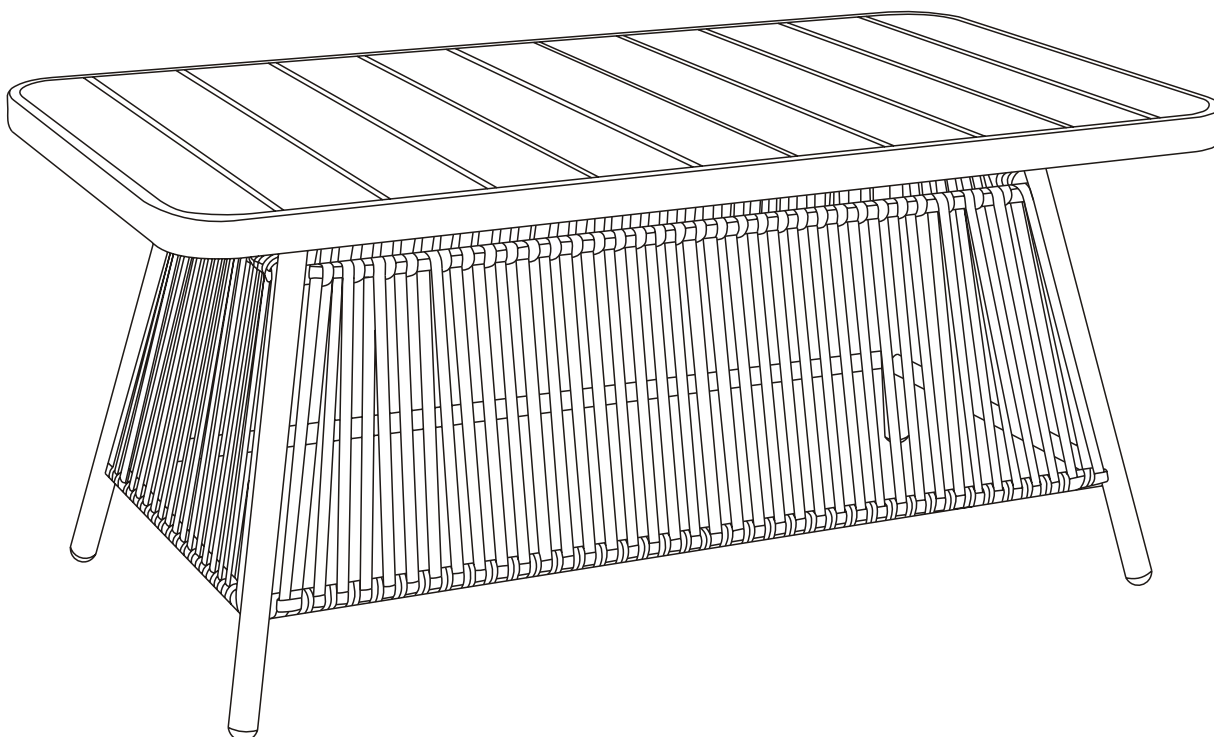
**NOTE:** Please ensure all the bolts are assembled correctly and use the allen wrench (DD) to tighten. Do not fully tighten bolts/screws until all pieces are loosely assembled. Add corresponding plastic bolt caps (CC) after final assembly is finished.



## Table Assembly (continued)

### 5 CHECKING THE TABLE

- Turn the table over and set on ground.
- Ensure all connections are secure before use.



### Care and Cleaning

- For best results, clean the products with a damp cloth and dry thoroughly. This will help prevent mildew by removing dirt particles that may accumulate.
- Do not clean with abrasive material, bleach, or solvents..
- Store the products in a dry, sheltered place when not in use.
- Keep the products away from fire, extreme heat, freezing conditions, and inclement weather such as rain, hail, sleet, snow, or wind.

# HAMPTON BAY®

**Questions, problems, missing parts? Before returning to the store,  
call Hampton Bay Customer Service  
8 a.m. – 7 p.m., EST, Monday – Friday, 9 a.m. – 6 p.m., EST, Saturday**

**1-855-HD-HAMPTON**

**HAMPTONBAY.COM**

**Retain this manual for future use.**

<b>For certification use only</b>
<b>Factory chair ID # LG19189-00 loveseat ID # LG19189-02 table ID # LG19189-07</b>