

**PRESENZA**  
ITALIA

**STAINLESS STEEL UTILITY SINK WITH  
FAUCET AND STORAGE CABINET**

**GABINETE PARA FREGADERO EN  
ACERO INOXIDABLE CON GRIFO**



**INSTALLATION GUIDE  
AND USER MANUAL**

**GUÍA DE INSTALACIÓN  
Y MANUAL OPERATIVO**

**Model No. QL040**

# Table of Contents

<b>Table of Contents</b> .....	<b>2</b>	<b>Drawer Handle Installation</b> .....	<b>8</b>
<b>Safety Information</b> .....	<b>2</b>	<b>Removal/Replacement of Drawer</b> .....	<b>9</b>
<b>Warranty</b> .....	<b>3</b>	<b>Mounting the Utility Sink</b> .....	<b>9</b>
Lifetime Limited Warranty .....	3	<b>Placement</b> .....	10
Warranty Claim Procedure .....	3	<b>Supply Line Assembly</b> .....	10
<b>Pre-Installation</b> .....	<b>4</b>	<b>Maintenance</b> .....	<b>10</b>
Tools/Materials Required .....	4	Cartridge Replacement .....	10
Package Contents .....	5	<b>Care and Cleaning</b> .....	<b>11</b>
<b>Installation</b> .....	<b>6</b>	Utility Sink .....	11
Faucet Assembly/Installation .....	6	Cabinet .....	11
Strainer Installation .....	7	<b>Service Parts</b> .....	<b>12</b>
Cabinet Feet Installation .....	8	<b>MANUAL DEL USARIO</b> .....	<b>13</b>

# Safety Information

## READ AND SAVE THESE INSTRUCTIONS



**DANGER:** Always wear safety goggles and gloves in order to avoid personal injury.

1. Inspect your unit before proceeding. Once you unpack your unit, check for chips, scratches, cracks, dents or scuff marks. If any damage is noticed, do not install.
2. Use this unit only in the manner intended by the manufacturer. If you have any questions, contact the manufacturer.
3. Installation work and plumbing must be done by qualified person(s) in accordance with all applicable codes and standards.
4. Protect the entire surface during installation.
5. All holes drilled into the unit must be done from the finished surface side with extreme care and caulked very carefully to form a watertight barrier.

## ONE YEAR LIMITED WARRANTY

A thorough inspection must be made before installation and any damage must be promptly reported. We will not be liable for failures or damage that could have been discovered or avoided by proper inspection and testing prior to installation.

Conglom Kitchen & Bath warrants this product to be free from defects in materials or workmanship for one (1) year from the date of purchase. Proof of purchase (original sales receipt) from the original consumer purchaser must be made available to Conglom Kitchen & Bath for all warranty claims.

This warranty is non-transferable and shall be voided if the unit is removed from its initial installation or if it is not installed following the manufacturer's instructions. It does not apply in the event of product damage due to the use of other than genuine Conglom Kitchen & Bath replacement parts, (Replacement parts may be obtained by e-mail at [customer.service@conglomkb.com](mailto:customer.service@conglomkb.com) or by calling 1-877-333-0098 between 8:30 am - 5:00 pm EST) installation error, abuse, misuse or improper care and maintenance (whether performed by a plumber, contractor, service provider or member of the purchaser's household). The warranty excludes damage due to aggressive air or water conditions, harsh or abrasive cleaners and/or materials.

Under no circumstance shall we be held liable for personal injury or property damage resulting from improper installation or use of this product. We will not be held liable for inconvenience caused by loss of use of this product, costs incurred for labour or materials, removal and installation of replacement units, or any other incidental or consequential damages. Costs relating to obtaining access for repair or replacement are the responsibility of the user.

Our obligation shall be limited to the repair or replacement of a unit (at our discretion) that may prove, by our sole examination, to be defective under normal use and service during the warranty period.

Any failure of this product that is not traceable to a defect in material or workmanship is not covered by this warranty. These non-warrantable items include, but are not limited to:

- Improper installation not in accordance with manufacturer's instructions.
- Dents and/or scratches incurred during shipping, handling, or installation.
- Change in colour or finish due to chemical usage.
- Damage caused by failure to follow care and cleaning guidelines, including damage caused by the use of abrasive cleaners.
- Alterations made to the unit by the purchaser or installer.
- Damage caused by accidental impact, fire, flood, freezing, and normal wear.
- Bends and warping caused by forced connections, over-tightened fittings, and inadequate support during installation.
- This warranty does not extend to commercial and institutional installation or use.

## WARRANTY CLAIM PROCEDURE

If a claimable defect occurs or replacement parts are needed, please contact our customer service team at [customer.service@conglomkb.com](mailto:customer.service@conglomkb.com) or 1-877-333-0098 (Service available in English and French, Monday - Friday from 8:30am - 5pm EST).

Before you make your call, please ensure that you have:

- Model number or description.
- Proof of sale.
- Details regarding the defect and/or part number.
- Name(s) and address(es) of the owner and/or installer.

# Pre-Installation

## TOOLS/MATERIALS REQUIRED (NOT SUPPLIED)

ENGLISH



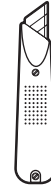
Adjustable wrench



Needle nose pliers



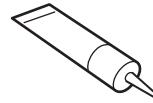
Phillips screwdriver



Utility knife



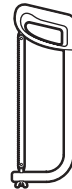
Pipe wrench



Sealant



Carpenter's level



Hacksaw



Safety gloves



Safety goggles

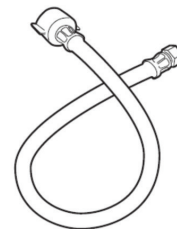
## PARTS REQUIRED (NOT SUPPLIED)



Tail Pipe



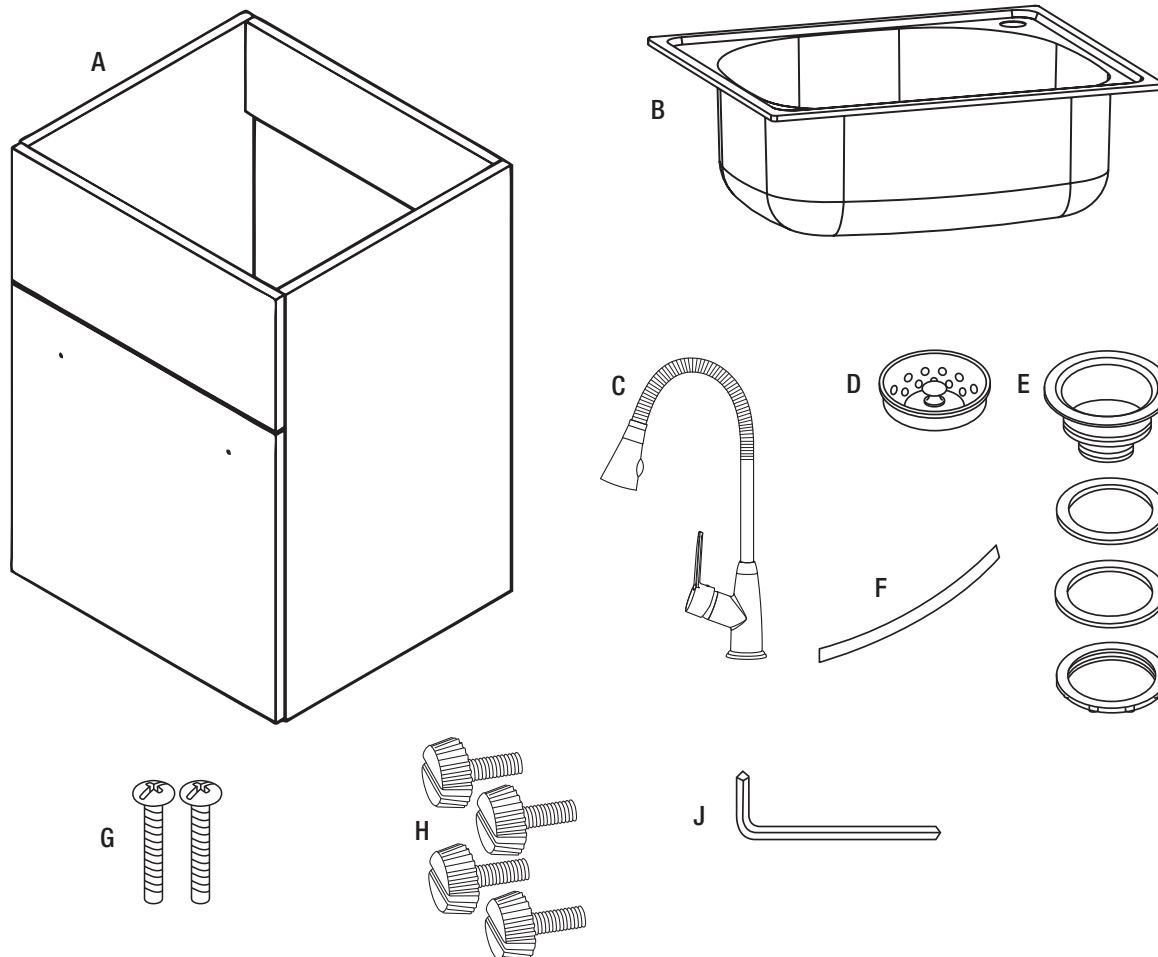
P-Trap



Supply line

# Pre-Installation (continued)

## PACKAGE CONTENTS

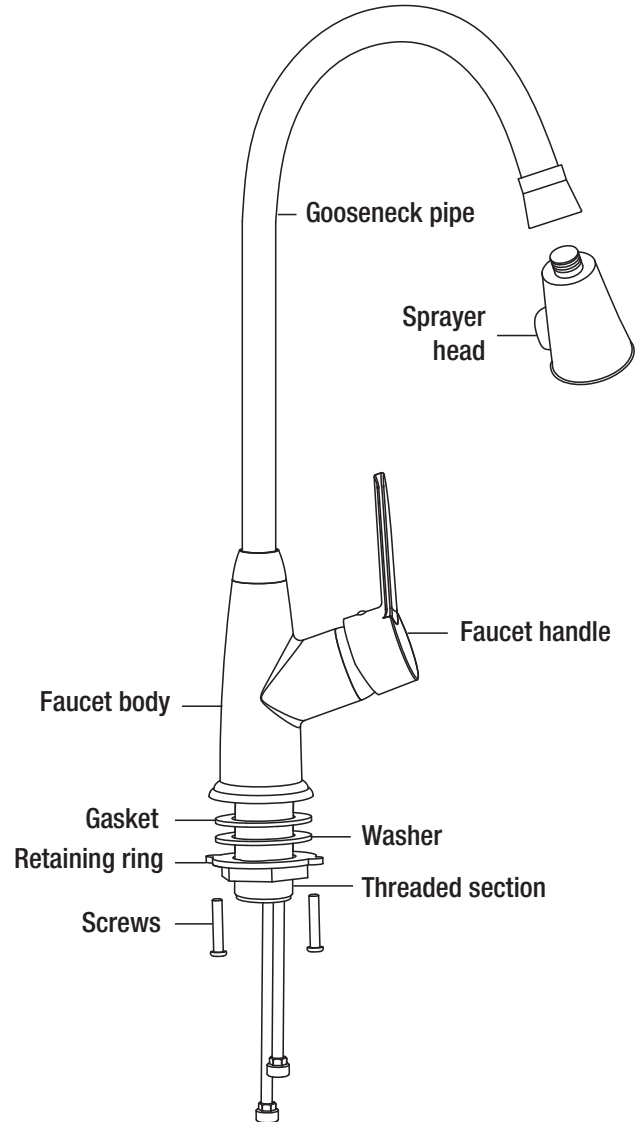


Part	Description	Quantity
A	Cabinet	1
B	Utility Sink	1
C	Faucet	1
D	Strainer Basket	1
E	Strainer Assembly	1
F	Drawer Handle	1
G	Drawer Handle Screws	2
H	Cabinet Feet	4
J	Allen Key	1

# Installation

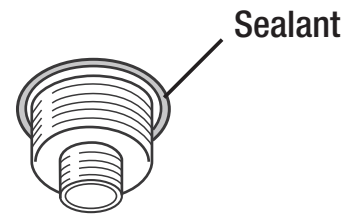
## FAUCET ASSEMBLY/INSTALLATION

1. Carefully take out all the parts of the faucet assembly (C). The faucet is pre-assembled, except for the sprayer head.
2. Take the washer, gasket and retaining ring off of the faucet body.
3. Place the faucet body carefully through the hole in the sink (B). A second person may be required to hold the body in place until the faucet installation is complete.
4. From underneath, slide the washer, gasket and retaining ring over the end of the copper pipe and up to the exposed threaded section of the faucet. Tighten the retaining ring by hand until it is snug. Using a wrench or pliers, tighten the assembly.
5. Gently tighten the two screws on the retaining ring. Do not over tighten.
6. Screw the sprayer head onto the gooseneck pipe.
7. Connect the water supply lines (not supplied) to the faucet.

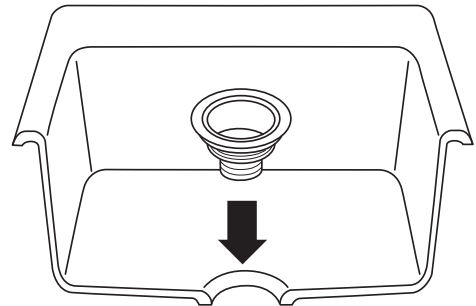


## STRAINER INSTALLATION

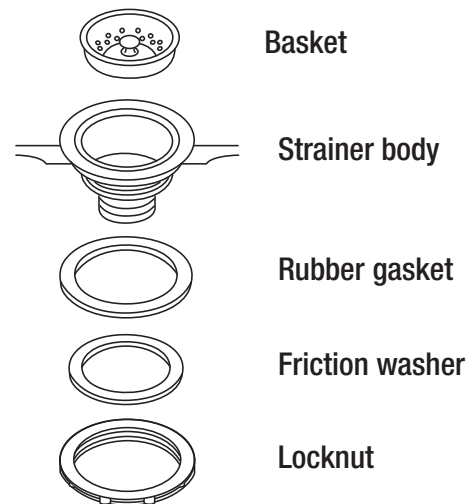
1. Apply a ring of sealant to the underside of the strainer flange.



2. Insert the strainer body into the sink.



3. Assemble the rubber gasket, friction washer and locknut onto the strainer body from under the sink.



4. Hand tighten the locknut. Do not over tighten the locknut as it may split or deform the strainer body.

# Installation (continued)

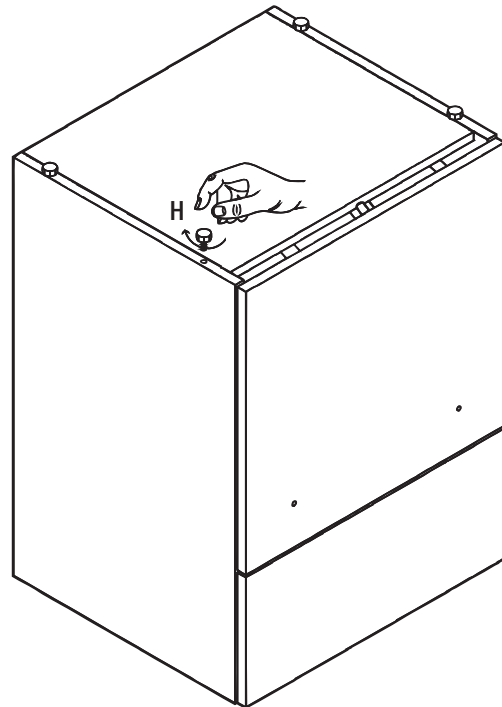
## CABINET FEET INSTALLATION

A thorough inspection must be made before installation and any damages or missing parts must be promptly reported. Do not proceed with the installation. Do not dispose of packaging before you are satisfied with your new utility sink.

1. Unpack the unit and place the sink (B) on a blanket or cardboard to protect the surface.
2. Turn the cabinet (A) upside down onto the protective surface.
3. Attach cabinet feet (H) to the base.
4. Gently place the cabinet upright.

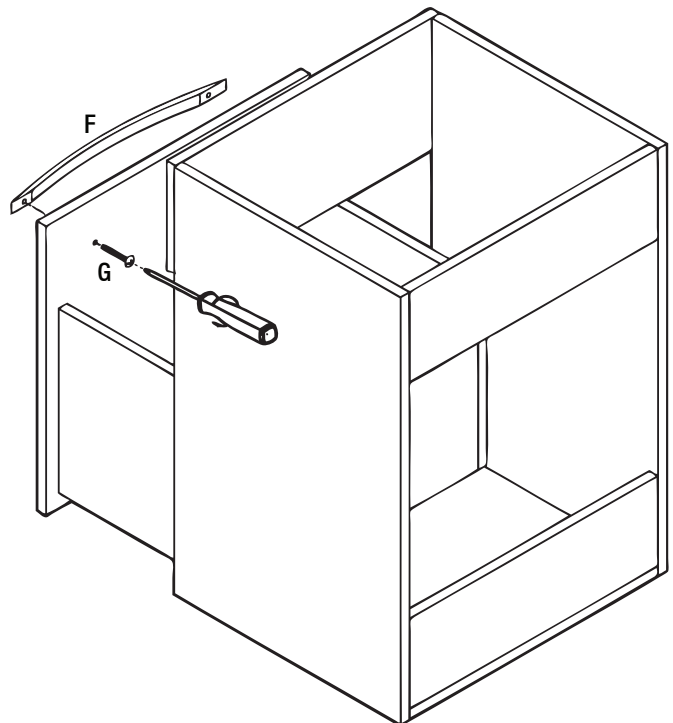


**CAUTION:** Do not place side load onto feet when righting the cabinet.



## DRAWER HANDLE INSTALLATION

1. Insert the drawer handle screws (G) into the pre-drilled holes on the drawer.
2. Attach the drawer handle (F) and hand tighten the drawer handle screws (G).



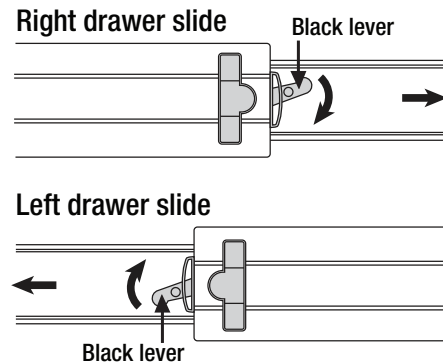


## Installation (continued)

### DRAWER REMOVAL AND REPLACEMENT

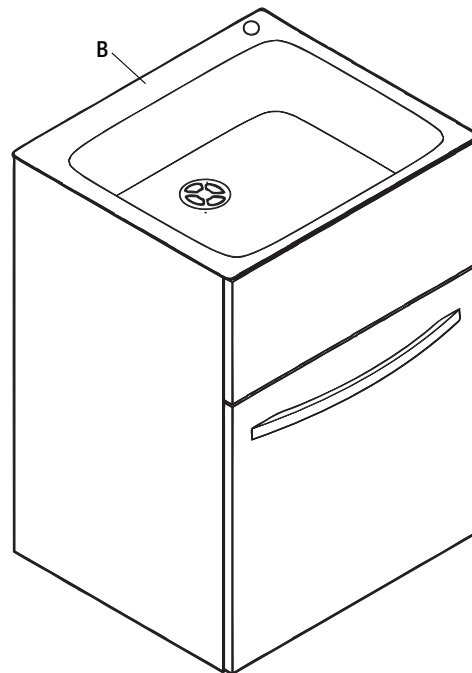
To remove the drawer, pull it out to its fullest extension. On each of the drawer slides there is a black lever. Push the lever on the left slide up and the lever on the right slide down. The drawer should now slide away from the cabinet.

Reverse this procedure to replace the drawer.



### MOUNTING THE UTILITY SINK

1. Carefully place a bead of sealant all around the top of the cabinet (A).
2. Ease the sink (B) into the cabinet (A), ensuring that it is placed evenly and is centered on the cabinet. Wipe off any excess sealant. Use masking tape to hold the sink in place until the sealant dries.



## Installation (continued)

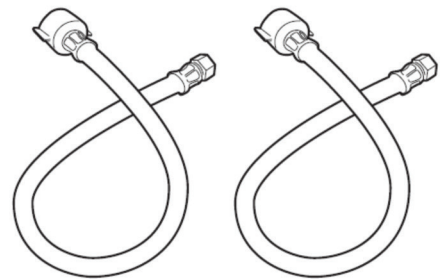
### PLACEMENT

Move the assembled unit to its final location. Final hook up of the supply lines and drain system can now be completed.

### SUPPLY LINES (NOT INCLUDED)

The supply lines that attach the faucet to the household water system, are not supplied with this unit. They need to be purchased separately.

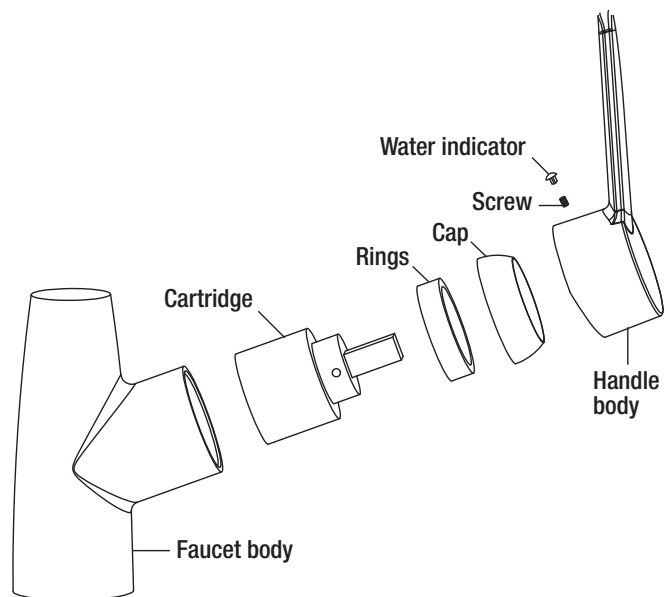
Follow the manufacturers instructions for proper installation of the supply lines.



## Maintenance

### CARTRIDGE REPLACEMENT

1. Before proceeding, turn off the water supply to the faucet.
2. Take off the plastic water indicator by hand, then use the Allen key to remove the screw and pull out the handle body. The top lever of the cartridge will be exposed.
3. Unscrew the cap and rings, making sure not to damage the threads.
4. Pull out the cartridge and replace it with a new 35 mm (1.4 in.) ceramic cartridge.
5. Replace the rings and the cap.
6. Place the handle body on the cartridge. Lock the screw onto the handle body and tighten it with the Allen key. Do not over tighten.
7. Put the plastic water indicator back into the hole, make sure the red is on the left and blue is on the right.



# Care and Cleaning

## UTILITY SINK

Your sink is manufactured with the highest grade stainless steel and will provide you many years of enjoyment with the proper care.

Do
<ul style="list-style-type: none"><li>- After use, always rinse your sink with tap water to dilute and remove deposits.</li><li>- Towel dry after use whenever possible to prevent water spots. Should water spots occur, clean with a mild solution of vinegar and water followed by a thorough rinse.</li><li>- Use liquid soap, a general household cleaner, or a weak solution of vinegar and water for regular cleaning.</li><li>- Only use plastic scouring pads recommended for use in stainless steel sinks, and only use them in the bowl of the sink. Scrub in the direction of the satin finish lines.</li></ul>

Do not
<ul style="list-style-type: none"><li>- Do not allow any food, detergent, soap or grease to dry or sit for extended periods of time on the surface of the sink.</li><li>- Never use abrasive cleaning products, as they will dull and scratch the finish.</li><li>- Do not use scouring pads on the deck, as they will dull the mirror finish.</li><li>- Never use steel wool pads, as they will leave iron particles on the sink, which will cause corrosion.</li><li>- Never leave steel or cast iron pans in your sink for extended periods of time, as this can cause corrosion.</li></ul>

## CABINET

To maintain the surface of your cabinet, follow these tips.

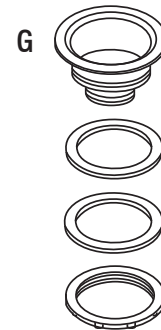
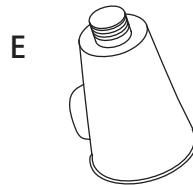
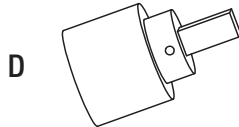
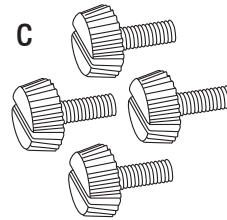
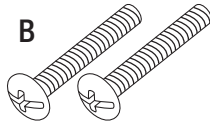
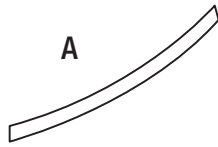
Do
<ul style="list-style-type: none"><li>- Remove dust and dry dirt with a soft, damp cloth.</li><li>- Clean grease, oil, paint and ink stains with isopropyl (rubbing alcohol). Immediately rinse with water after stain removal.</li></ul>

Do not
<ul style="list-style-type: none"><li>- Do not allow your cabinet surface to come into contact with products such as acetone (nail polish remover), nail polish, dry cleaning solution, lacquer thinners, gasoline, pine oil, etc.</li><li>- Use caution when using sharp instruments that may fall and scratch the surface.</li></ul>

# Service Parts

ENGLISH

If you are missing parts or if you require replacement parts, please contact our customer service team at [customer.service@conglomkb.com](mailto:customer.service@conglomkb.com) or 1-877-333-0098 (Service available in English and French, Monday - Friday from 8:30am - 5pm EST). Identify the required part(s) and have the part number(s) ready.



Part	Description	Code	Quantity
A	Drawer Handle	QHL136	1
B	Drawer Handle Screws	QHL104	2
C	Cabinet Feet	QHL107	4
D	Ceramic Cartridge	QHS121	1
E	Sprayer Head	QHL131	1
F	Strainer Basket	QHS101	1
G	Strainer Assembly	QHS150	1

# Tabla de materias

OWNER'S MANUAL .....	2	Cómo instalar las patas del armario .....	19
Tabla de materias .....	13	Cómo instalar las manijas del cajón .....	19
Información de seguridad .....	13	Retiro y sustitución del cajón .....	20
Garantía .....	14	Cómo instalar el fregadero .....	20
Garantía limitada de por vida .....	14	Colocación .....	21
Procedimiento de reclamación de garantía .....	14	Ensamblaje de mangueras de alimentación .....	21
Preinstalación .....	15	<b>Mantenimiento</b> .....	<b>21</b>
Herramientas/Materiales requeridos .....	15	Reemplazo del cartucho .....	21
Contenido del paquete .....	16	<b>Cuidado y limpieza</b> .....	<b>22</b>
Instalación .....	17	Fregadero de servicio .....	22
Cómo instalar el grifo .....	17	Armario .....	22
Cómo instalar el colador .....	18	<b>Piezas de repuesto</b> .....	<b>23</b>

# Información de seguridad

## LEA Y GUARDE ESTAS INSTRUCCIONES



**PRECAUCIÓN:** Use guantes y gafas de seguridad en todo momento para evitar lesiones personales.

1. Examine la unidad antes de proceder. Verifique si la superficie presenta defectos o daños, abolladuras, curvaturas, golpes o marcas por rozaduras. Si observa algún daño, no le instale.
2. Utilice esta unidad exclusivamente de la manera concebida por el fabricante; si tiene preguntas, comuníquese con el fabricante.
3. El trabajo de instalación y de plomería deben ser hechos por personas calificadas de acuerdo con todos los códigos y normas aplicables, e incluye una construcción calificada a prueba de incendio.
4. Proteja la superficie total del producto durante la instalación para evitar daños.
5. Todos los agujeros perforados deben ser hechos por la parte superior externa con extremo cuidado y calafatear cuidadosamente para formar una barrera impermeable.

## GARANTÍA LIMITADA DE UN AÑO

Debe hacerse una inspección a conciencia antes de la instalación y cualquier daño debe ser reportado inmediatamente. No seremos responsables de los fallos o daños que pudieran haberse descubierto o evitado con una inspección y pruebas adecuadas antes de la instalación.

Conglom Kitchen & Bath certifica este producto contra todo defecto en los materiales o en la fabricación, durante un (1) año. Una prueba de compra (factura original) del comprador/consumidor deberá acompañar toda reclamación hecha a Conglom Kitchen & Bath.

Esta garantía no es transferible y será anulada si la unidad se quita del lugar donde se instaló inicialmente o si no se instala de acuerdo con las instrucciones del fabricante. La garantía no se aplica en caso de daños al producto debido al uso de otros repuestos que los de Conglom Kitchen & Bath, (Las piezas de repuesto pueden obtenerse por correo electrónico : [customer.service@conglomkb.com](mailto:customer.service@conglomkb.com) o llamando al 1-877-333-0098 entre 8:30 a.m. - 5 p.m. EST) error de instalación, abuso, mal uso, cuidado incorrecto o mal mantenimiento (ya sea realizada por un plomero, fontanero, contratista, proveedor de servicios o un miembro de la familia del comprador). La garantía excluye los daños causados por condiciones agresivas de aire, agua, abrasivos, limpiadores y/o materiales.

Bajo ninguna circunstancia seremos responsables de lesiones personales o daños a la propiedad que resulten de una instalación o de un uso inapropiado de este producto. No seremos responsables por inconvenientes ocasionados por pérdida de uso de este producto, costos incurridos en mano de obra o materiales, retiro e instalación de unidades de remplazo, ni ningún otro daño incidental o consecuente. Los costos relacionados con la reparación o el reemplazo son la responsabilidad del usuario.

Nuestra obligación se limita a la reparación o reemplazo de una unidad (a nuestra discreción) que pueda comprobarse, únicamente al examinarla por nosotros, que tiene defectos bajo un uso y servicio normal durante el periodo de garantía.

Cualquier fallo de este producto que no sea identificable como un defecto en materiales o de fabricación no estará cubierto por la garantía. Estos artículos que no se pueden garantizar incluyen, pero no se limitan a:

- Instalación indebida que no siga las instrucciones del fabricante.
- Abolladuras, golpes y marcas ocasionadas durante el transporte, manejo o instalación.
- Cambio de color o en el acabado debido al uso de productos químicos.
- Daños ocasionados por no seguir las instrucciones de cuidado y limpieza, incluyendo daños ocasionados por el uso de limpiadores abrasivos.
- Alteraciones hechas a la unidad por parte del comprador o el instalador.
- Daños ocasionados por impacto accidental, fuego, inundaciones, congelamiento y por el desgaste normal.
- Dobleces y deformaciones a consecuencia de conexiones forzadas, accesorios apretados en exceso y soporte inadecuado durante la instalación.

Esta garantía no cubre el uso o la instalación comercial ni institucional.

## PROCEDIMIENTO DE RECLAMACIÓN DE GARANTÍA

Si ocurre un defecto por el que se puede presentar una reclamación, por favor contacte nuestro equipo de servicio al cliente: [customer.service@conglomkb.com](mailto:customer.service@conglomkb.com) o llámé al 1-877-333-0098 (de lunes a viernes, de 8:30 am a 5 pm EST).

Antes de llamar para presentar una reclamación, por favor asegúrese que tiene:

- La descripción o el número de modelo.
- El comprobante de venta.
- Los detalles del defecto.
- Nombre(s) y domicilio(s) del propietario y del instalador.

# Preinstalación

## HERRAMIENTAS/MATERIALES REQUERIDOS (NO SUMINISTRADOS)



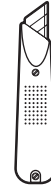
Llaves



Alicates



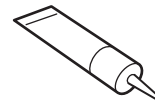
Desarmador en cruz



Cuchillo de uso general



Llave de tubos



Sellador de silicona



Nivel de carpintero



Sierra de mano



Guantes de seguridad



Gafas de seguridad

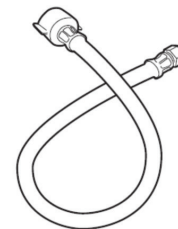
## PIEZAS REQUERIDAS (NO SUMINISTRADAS)



Tubo final



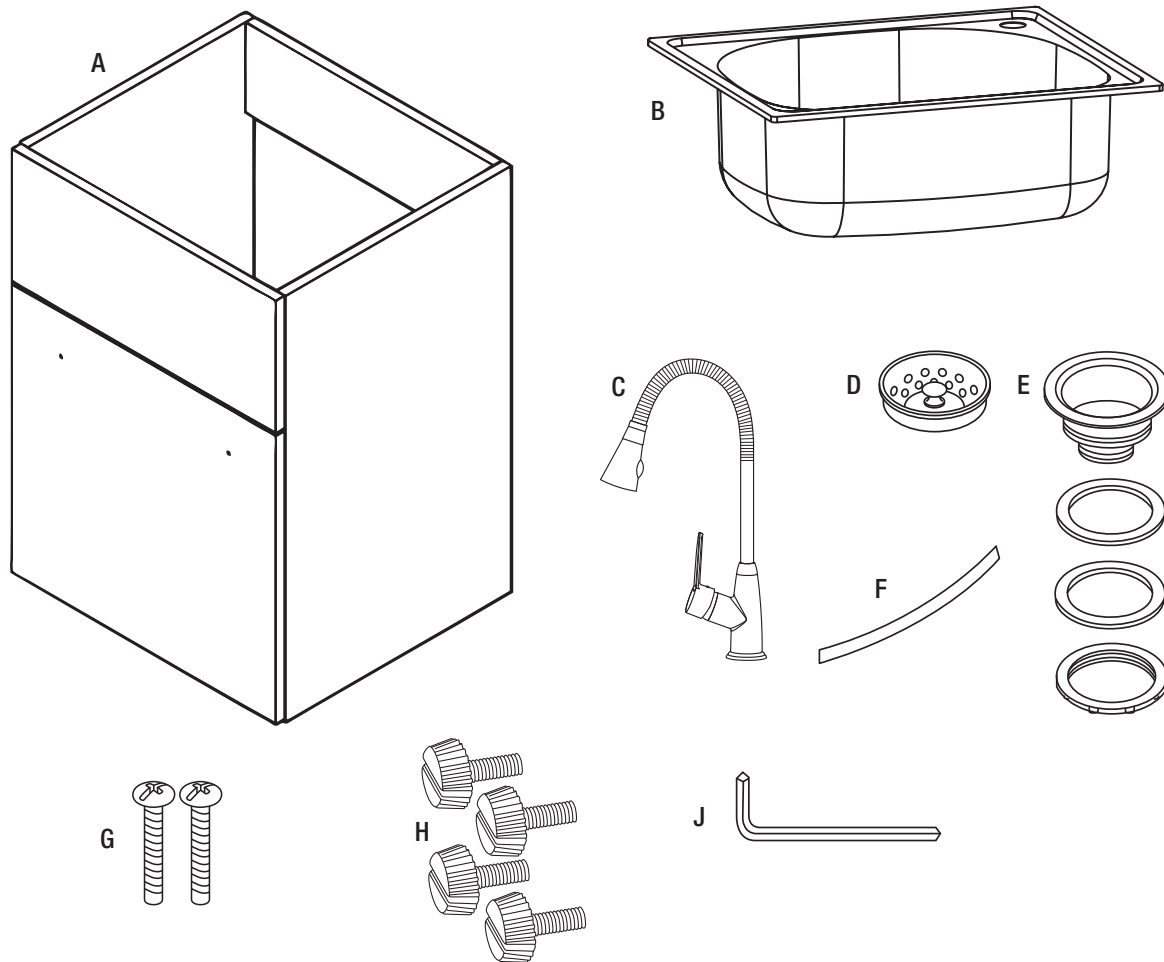
P Trampa



Mangueras de alimentación (2)

# Preinstalación (continuación)

## CONTENIDO DEL PAQUET

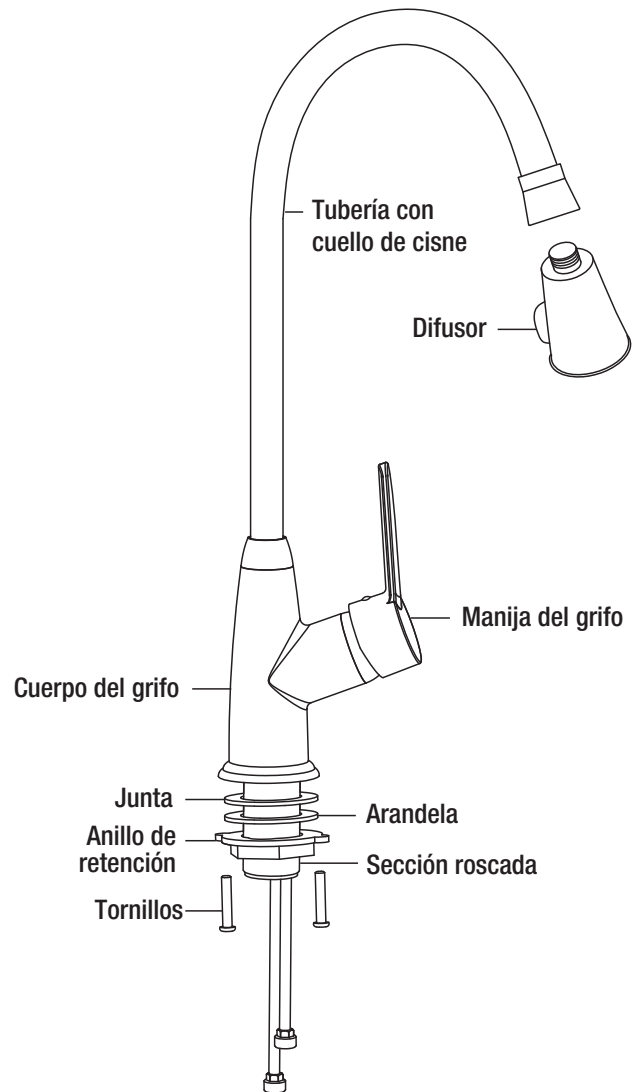


Pieza	Descripción	Cantidad
A	Armario	1
B	Fregadero	1
C	Grifo	1
D	Colador	1
E	Conjunto de colador	1
F	Manija del cajón	1
G	Tornillos de la manija	2
H	Patas del armario	4
J	Llave Allen	1



## CÓMO INSTALAR EL GRIFO

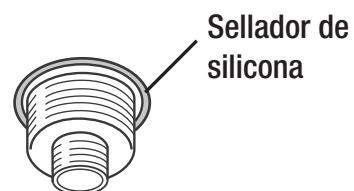
1. Retire todas las piezas del ensamblaje del grifo (C) con cuidado. El grifo está previamente ensamblado, excepto por el difusor.
2. Retire la arandela, la junta y el anillo de retención del cuerpo del grifo.
3. Inserte el cuerpo del grifo a través del orificio del lavabo (B). Puede necesitar la ayuda de otra persona para sujetar el cuerpo en su lugar hasta que haya completado la instalación del grifo.
4. Desde la parte inferior, deslice la junta y la arandela, y atornille el anillo de retención sobre el extremo del tubo de cobre y hacia la sección roscada del grifo. Apriete el anillo de retención con la mano hasta que quede bien ajustado. Con ayuda de una llave inglesa o pinzas, apriete el ensamblaje.
5. Apriete delicadamente los dos tornillos en el anillo de retención. No apriete demasiado.
6. Atornille el difusor a la tubería con cuello de cisne.
7. Conecte la línea de abastecimiento de agua (no incluida) al grifo.



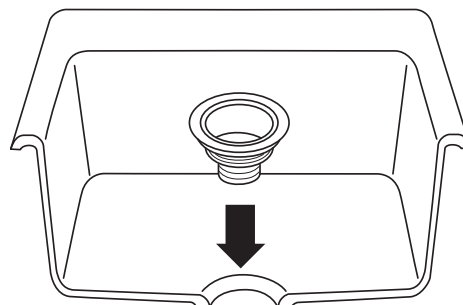
# Instalación (continuación)

## CÓMO INSTALAR EL COLADOR

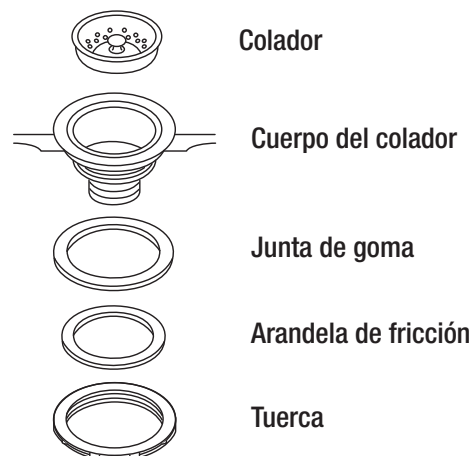
1. Aplique un anillo de pasta o sellador de plomería (no incluidos) en la parte inferior de la brida del cuerpo del escurridor.



2. Inserte el cuerpo del escurridor en el fregadero.



3. Monte el empaque de caucho, la arandela de fricción y la contratuerca en el cuerpo del escurridor, por debajo del fregadero.



4. Apriete la contratuerca con la mano. No apriete demasiado la contratuerca o la tuerca de conexión, ya que podría romper o deformar el cuerpo del escurridor.

## Instalación (continuación)

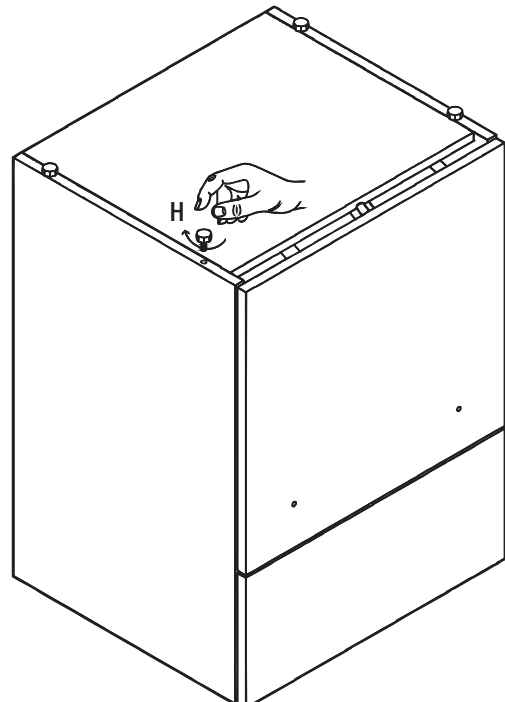
### CÓMO INSTALAR LAS PATAS DEL ARMARIO

Una minuciosa inspección debe realizarse antes de la instalación y cualquier daño o pieza faltante debe comunicarse de inmediato. No continúe con la instalación. No se deshaga del embalaje antes de quedar satisfecho del nuevo fregadero.

1. Desempaque la unidad y coloque el fregadero (B) sobre una cobija o cartón para proteger la superficie.
2. Coloque el armario (A) de cabeza sobre la superficie protectora.
3. Coloque las patas del armario (H) en la base.
4. Coloque el armario boca arriba con cuidado.

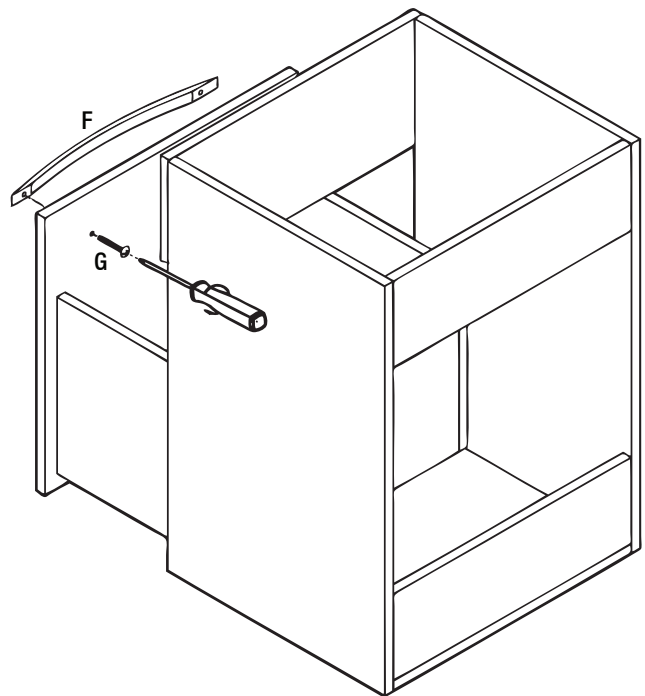


**PRECAUCIÓN:** No ponga todo el peso sobre las patas laterales cuando lo coloque su lugar.



### CÓMO INSTALAR LA MANIJA DEL CAJÓN

1. Inserte los tornillos de las manijas (G) en los orificios de cada puerta.
2. Coloque la manija (F) y apriete los tornillos (G).

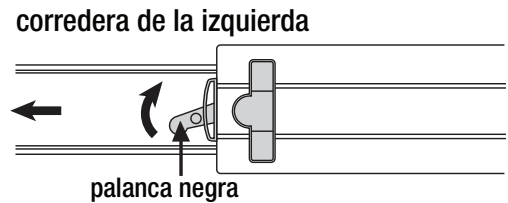
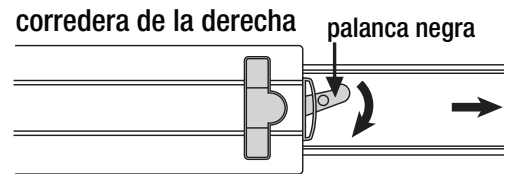


## Instalación (continuación)

### RETIRO Y SUSTITUCIÓN DEL CAJÓN

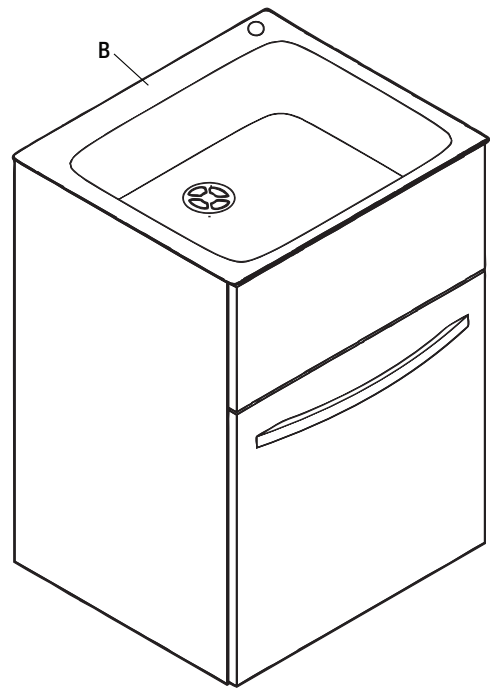
Para quitar el cajón, tire hacia fuera en toda su extensión. En cada una de las correderas de cajón hay una palanca negra. Coloque la palanca de la izquierda hacia arriba y la de la derecha hacia abajo. El cajón debería deslizarse ahora hacia fuera del gabinete.

Invierta el procedimiento para volver a colocar el cajón.



### CÓMO INSTALAR EL FREGADERO

1. Agregue un poco de sellador en la parte superior del armario (A) con cuidado.
2. Descanse el fregadero (B) en el armario (A), y asegúrese de colocarlo de forma pareja y centrado. Elimine el exceso de sellador.



## Instalación (continuación)

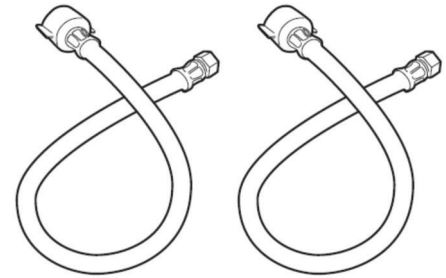
### COLOCACIÓN

Mueva la unidad ya armada a su ubicación final. La conexión de los tubos de abastecimiento y el sistema de drenaje pueden ahora ser completados.

### ENSAMBLAJE DE MANGUERAS DE ALIMENTACIÓN (NO SUMINISTRADOS)

Las líneas de abastecimiento, que conectan el grifo al suministro de agua de la casa, no vienen incluidos con en esta unidad. Se compran por separado.

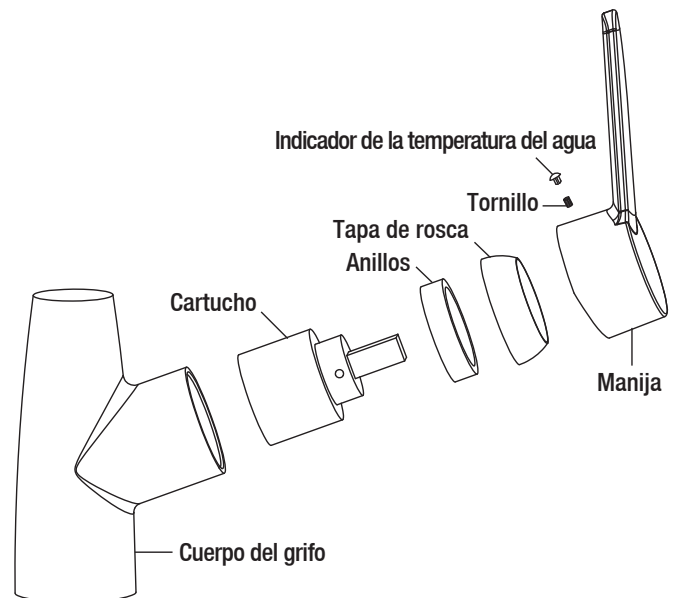
Siga las instrucciones del fabricante para instalar las líneas de abastecimiento de manera adecuada.



## Mantenimiento

### REEMPLAZO DEL CARTUCHO

1. Antes de continuar, cierre el suministro de agua al grifo.
2. Retire el plástico del indicador de temperatura del agua con la mano, luego, con la llave Allen, remueva el tornillo y tire del cuerpo de la manija. La palanca superior del cartucho quedará expuesta.
3. Desenrosque la tapa y los anillos, asegurándose de no dañar las roscas.
4. Extraiga el cartucho y replácelo con el cartucho cerámica de 35 mm (1.4 pulgadas).
5. Vuelva a colocar los anillos y luego la tapa.
6. Después, coloque el cuerpo de la manija sobre el cartucho. Fije el tornillo sobre el cuerpo de la manija y apriételo con la llave Allen. No apriete demasiado.
7. Coloque nuevamente el indicador de temperatura de agua en el orificio, asegúrese de que el rojo esté en el lado izquierdo y el azul en el derecho.



# Cuidado y limpieza

## FREGADERO DE SERVICIO

Este fregadero está fabricado con acero inoxidable de la mejor calidad y podrá utilizarlo durante muchos años siempre y cuando lo cuide y le dé el mantenimiento adecuado.

### Hacer

- Después de cada uso lave el fregadero con el agua del grifo para diluir y quitar cualquier depósito.
- Cuando pueda, seque el fregadero con una toalla para evitar que se formen marcas de agua. En caso de que se formen, límpielas con una solución de vinagre y agua, y luego enjuague minuciosamente.
- Utilice jabón líquido, limpiador doméstico multiusos o una solución de vinagre y agua para la limpieza regular.
- Use únicamente esponjas plásticas recomendadas para uso en fregaderos de acero inoxidable, y solo úselas en la cubeta del fregadero. Restriegue en el sentido de las líneas de lavado.

### No Hacer

- Evite que se seque o deposite cualquier residuo de comida, detergente, jabón, grasa o condimentos por un periodo prolongado en la superficie del fregadero.
- Nunca utilice productos abrasivos, ya que opacarán y rayarán el acabado.
- No utilice esponjas en el exterior del fregadero, ya que opacarán el acabado de espejo.
- Nunca utilice esponjas de lana de acero, ya que dejarán partículas de acero en el fregadero y lo corroerán.
- Nunca deje cacerolas de acero o hierro fundido en el fregadero por periodos prolongados, ya que esto puede provocar corrosión.

## ARMARIO

Para dar mantenimiento a la superficie de su armario, siga estos consejos.

### Hacer

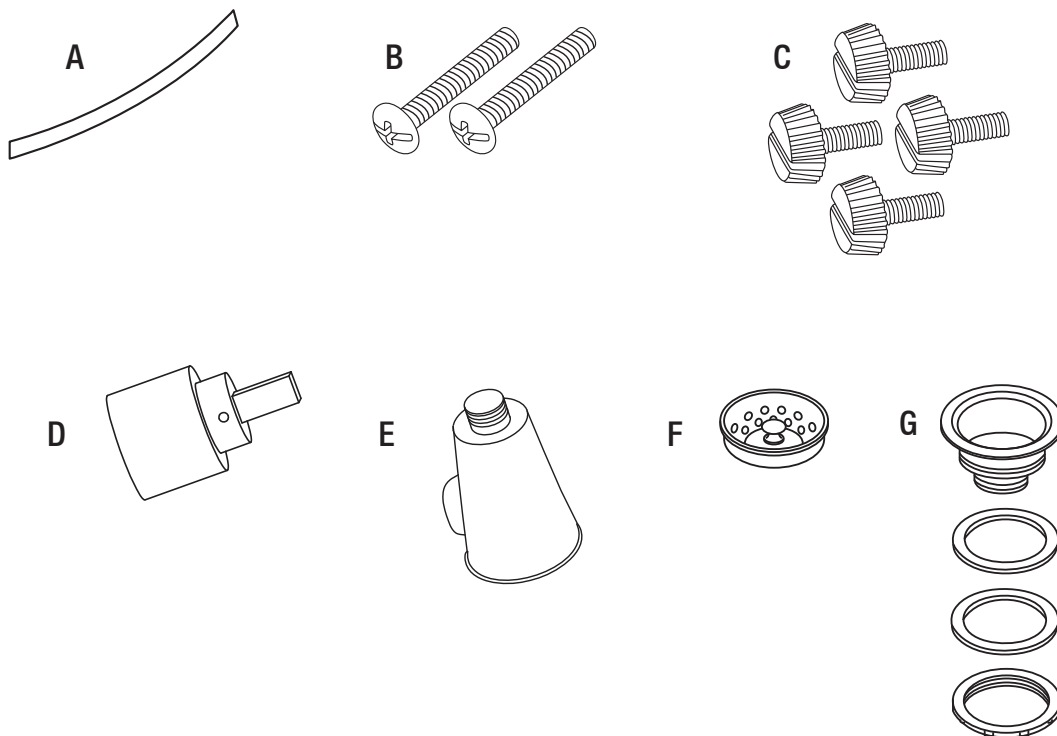
- Elimine el polvo y la suciedad con un paño suave y húmedo.
- Limpie la grasa, aceite, pintura y manchas de tinta con isopropílico (alcohol para fricciones). Lavar inmediatamente con agua después de la eliminación de las manchas.

### No Hacer

- No permita que la superficie del mueble entre en contacto con productos como la acetona (quitaesmalte), el esmalte de uñas, la solución de limpieza en seco, los disolventes de lacas, la gasolina, el aceite de pino, etc.
- Evite el uso de navajas de afeitar y otros instrumentos que puedan caer y rayar la superficie.

# Piezas de repuesto

Si requiere de una pieza faltante o de repuesto, por favor contacte: [customer.service@conglomkb.com](mailto:customer.service@conglomkb.com) o llámé al 1-877-333-0098, de 8:30 am - 5 pm, hora del este, de lunes a viernes. Identifique la(s) parte(s) requerida(s) y tenga el número(s) de pieza a la mano.



Pieza	Descripción	Código	Cantidad
A	Manijas de las puertas	QHL136	1
B	Tornillos de las manijas	QHL104	2
C	Patas del armario	QHL107	4
D	Cartucho de cerámica	QHS121	1
E	Difusor del grifo	QHL131	1
F	Colador	QHS101	1
G	Conjunto de colador	QHS150	1

Imported by / Importado por:



St-Laurent, Québec, H4S 2C3

1-877-333-0098 | [customer.service@conglomkb.com](mailto:customer.service@conglomkb.com)

(Service available in English and French, Monday - Friday from 8:30am - 5pm EST)

(servicio disponible en inglés y francés, de lunes a viernes, de 8:30 am a 5:00 pm, hora del Este)

[www.conglomkb.com](http://www.conglomkb.com)

Made in China / Hecho en China

