

# KP1TD33S-2

## 33" Topmount Double Bowls Stainless Steel Kitchen Sinks

Satin Finish

# Kräus®

SPECIFICATION SHEET

### Stainless Steel

Thickness 16 Gauge

### Bowl Configuration

Double Bowl  
Offset: 50/50

### Installation Type

Topmount

### Recommended Minimum Cabinet Size

24" Front to Back  
36" Left to Right

### Drain Location

Rear Center

### Left Bowl Dimensions

Front to Back: 18"  
Left to Right: 15.5"  
Depth: 9"

### Right Bowl Dimensions

Front to Back: 18"  
Left to Right: 15.5"  
Depth: 9"

### Rim Dimensions

Front to Back: 22"  
Left to Right: 33"

### Drain Size

3 1/2" (89mm)

### Included with Product

NoiseDefend Undercoating  
NoiseDefend Sound Dampening Pads  
Strainer ST-1 x 2  
Cover Cap STC-2 x 2  
Grid Model No. KBG-P1518 x 2  
Silicone Mitt KSM-1BLACK  
Silicone Trivet KST-1BLACK  
Installation Template  
Topmount Mounting Clips  
Towel

### Warranty

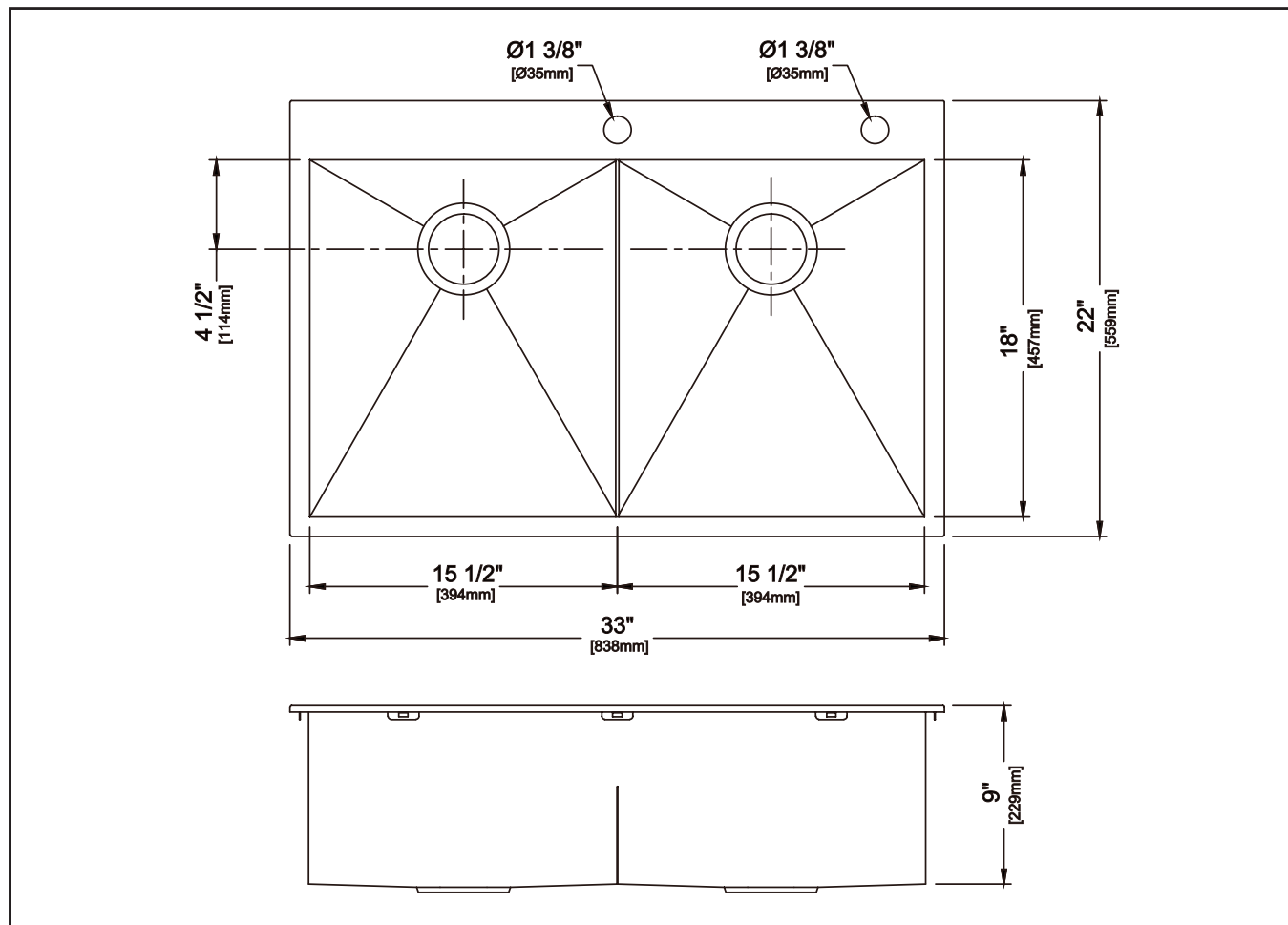
Kraus Lifetime Limited Warranty

### Product Certification

cUPC (ASME A112.19.3/CSA B45.4)

Kraus Lifetime Limited Warranty: See website for details [www.kraususa.com](http://www.kraususa.com)

1.800.775.0703 / [customerservice@kraususa.com](mailto:customerservice@kraususa.com)



Kraus USA Customer Service  
Tel: 1.800.775.0703  
Email: [customerservice@kraususa.com](mailto:customerservice@kraususa.com)

REV. July 27, 2018