

Installation, Operation and Maintenance Instructions for Standard Two-Stage Lubricated Air Compressors (Electric Motor and Gasoline Engine Models Up to 30 Horsepower)

IMPORTANT INFORMATION! READ AND FOLLOW THESE INSTRUCTIONS. RETAIN FOR REFERENCE.

SAFETY

DEFINITIONS

- △ **DANGER** WILL cause DEATH, SEVERE INJURY or substantial property damage.
- △ **WARNING** CAN cause DEATH, SEVERE INJURY or substantial property damage.
- △ **CAUTION** WILL or CAN cause MINOR INJURY or property damage.

GENERAL SAFETY PRECAUTIONS

- △ **DANGER** **INTAKE AIR.** Can contain carbon monoxide or other contaminants. Will cause serious injury or death. Ingersoll-Rand air compressors are not designed, intended or approved for breathing air. Compressed air should not be used for breathing air applications unless treated in accordance with all applicable codes and regulations.
- △ **WARNING** **HAZARDOUS VOLTAGE.** Can cause serious injury or death. Disconnect power and bleed pressure from the tank before servicing. Lockout/Tagout machine. Compressor must be connected to properly grounded circuit. See grounding instructions in manual. Do not operate compressor in wet conditions. Store indoors.
MOVING PARTS. Can cause serious injury. Do not operate with guards removed. Machine may start automatically. Disconnect power before servicing. Lockout/Tagout machine.
HOT SURFACES. Can cause serious injury. Do not touch. Allow to cool before servicing. Do not touch hot compressor or tubing.
HIGH PRESSURE AIR. Bypassing, modifying or removing safety/relief valves can cause serious injury or death. Do not bypass, modify or remove safety/relief valves. Do not direct air stream at body. Rusted tanks can cause explosion and severe injury or death. Drain tank daily or after each use. Drain valve located at bottom of tank.
- △ **CAUTION** **RISK OF BURSTING.** Use only suitable air handling parts acceptable for pressure of not less than the maximum allowable working pressure of the machine.

GENERAL INFORMATION

INTRODUCTION

This manual provides safe and reliable instructions for the installation, operation and maintenance of your Ingersoll-Rand air compressor. Carefully read this manual before attempting to operate or perform any maintenance. If you are uncertain about any

of the instructions or procedures provided in this manual, contact Ingersoll-Rand. We recommend you retain this manual, and all publications provided with your air compressor, in a location which is accessible to all personnel who operate and service your compressed air equipment.

APPLICATION

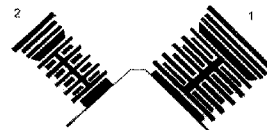
Ingersoll-Rand's standard two-stage lubricated air compressors are single-acting, air-cooled machines. Typical compressors are furnished as compact, self-contained, air receiver tank mounted units that are automatically regulated and driven by an electric motor or gasoline engine. An air-cooled aftercooler, low oil level shutdown switch and automatic drain valve are among the optional accessories that can be furnished. Bare compressor pumps and baseplate-mounted units are also available.

These compressors may be used for a variety of compressed air application up to 250 PSIG (17.5 kg/cm²). Application of these compressors as either a primary or supplementary source of air is virtually unlimited in industrial plants, service stations and auto repair shops. Supplementary service includes such uses as furnishing air at pressure not carried in regular shop lines, air at isolated locations, and standby service for air when larger compressors are shut down.

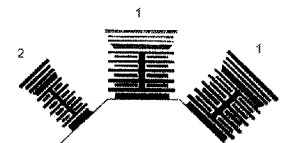
TWO-STAGE OPERATION

Two-stage compressors consist of one or two first-stage cylinders with the same bore size and one second-stage cylinder with a smaller bore size.

Typical Two-Stage, Two Cylinder Unit



Typical Two-Stage, Three Cylinder Unit



The basic principle of operation is as follows: On the suction stroke of the first-stage piston(s), air at atmospheric pressure enters the cylinders through the inlet filter(s) and then the inlet valves located in the head. On the compression stroke of the first-stage piston(s), the air is compressed to an intermediate pressure and discharged through the discharge valve(s) into common manifold(s). From the manifold(s) the air passes through the intercooler tubes, where the heat of first-stage compression is removed. On the suction stroke of the second-stage piston this cooled air enters the second-stage cylinder through the inlet valve. The compression stroke of the second-stage piston compresses the air to the final discharge pressure and forces it out through the discharge valve into the receiver tank or system. If cooling of the discharge air is required,

an air-cooled aftercooler should be installed between the compressor discharge and the receiver tank or system.

For maintaining the receiver tank or system air pressure within predetermined limits, the compressor may be operated with automatic start & stop control or constant speed control regulation. The type of regulation used depends upon the application.

ADDITIONAL REFERENCES

Unless otherwise stated, dimensions, weights and measurements are provided in standard U.S. measure followed in parentheses by the metric conversion. Any torque values given are stated in inch or foot pounds followed by the Newton-meter equivalent in parentheses. Electrical characteristics are given in voltage-phase-hertz.

RECEIPT & INSPECTION

Ensure adequate lifting equipment is available for unloading and moving the unit to the installation site.

NOTE Lifting equipment must be properly rated for the weight of the unit.

CAUTION Lift the unit by the shipping skid only. Do not use the motor lifting eye to lift the entire unit. The motor lifting eye is for removing the motor from the unit only.

CAUTION! Do not work on or walk under the unit while it is suspended.

Use suitable lifting equipment (i.e. forklift) to lift and transport the unit to the installation site. Ensure the lifting equipment, straps, etc. are capable of supporting the weight of the unit.



Before signing the delivery receipt, inspect for damage and missing parts. If damage or missing parts are apparent, make the appropriate notation on the delivery receipt, then sign the receipt. Immediately contact the carrier for an inspection.

All material must be held in the receiving location for the carrier's inspection.

Delivery receipts that have been signed without a notation of damage or missing parts are considered to be delivered "clear." Subsequent claims are then considered to be concealed damage claims. Settle damage claims directly with the transportation company.

If you discover damage after receiving the unit (concealed damage), the carrier must be notified within 15 days of receipt and an inspection must be requested by telephone with confirmation in writing. On concealed damage claims, the burden of establishing that the unit was damaged in transit reverts back to the claimant.

Read the unit nameplate to verify it is the model ordered, and read the motor nameplate to verify it is compatible with your electrical conditions. Make sure electrical enclosures and components are appropriate for the installation environment.

INSTALLATION

SELECTING A LOCATION

ELECTRIC MOTOR UNITS. For most electric motor units, select a relatively clean and dry well-lighted indoor area with plenty of space for proper ventilation, cooling air flow and accessibility. Provide 1,000 cubic feet of fresh air per 5 horsepower. Locate the unit at least 15 inches (38 cm) from walls, and make sure the main power supply is clearly identified and accessible.

Unless the electrical components of the unit are specially protected for outdoor use, do not install an electric motor unit outdoors or in an area that will expose the electrical components to rain, snow or sources of appreciable moisture.

WARNING FOR UNITS EQUIPPED WITH ELECTRIC DRAIN VALVE

WARNING The electric drain valve incorporates arcing or sparking parts, such as snap switches, receptacles and the like that tend to produce arcs or sparks and, therefore, when located in a garage, the compressor should be in a room or enclosure provided for the purpose, or the electric drain valve should be 18 inches (457 mm) or more above the floor.

GASOLINE ENGINE UNITS. For gasoline engine units, keep the engine at least 3 feet (1 m) away from building walls and other equipment. Install the unit in a location with plenty of space for proper ventilation, cooling air flow and accessibility. Do not install or operate a gasoline engine unit in a confined area.

AMBIENT TEMPERATURE CONSIDERATIONS. Ideal operating temperatures are between 32°F and 100°F (0°C and 37.8°C). If temperatures consistently drop below 32°F (0°C), install the compressor in a heated area. If this is not possible, you must protect safety/relief valves and drain valves from freezing. If temperatures are consistently below 40°F (4.4°C), consider installing an external crankcase heater kit, especially if the compressor has difficulty starting.

CAUTION Never operate the compressor in temperatures below -15°F (-26.1°C) or above 125°F (51.0°C).

HUMID AREAS. In frequently humid areas, moisture may form in the pump and produce sludge in the lubricant, causing running parts to wear out prematurely. Excessive moisture is especially likely to occur if the unit is located in an unheated area that is subject to large temperature changes.

Two signs of excessive humidity are external condensation on the pump when it cools down and a "milky" appearance in petroleum lubricant.

You may be able to prevent moisture from forming in the pump by increasing ventilation, operating for longer intervals or installing an external crankcase heater kit.

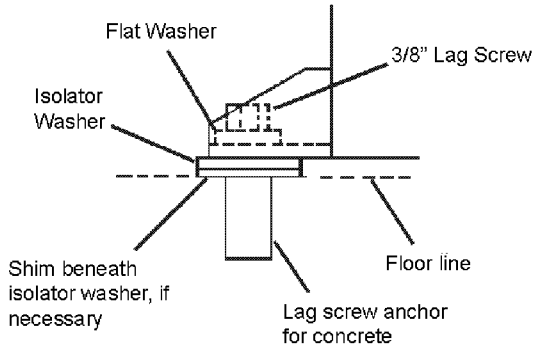
NOISE CONSIDERATIONS. Consult local officials for information regarding acceptable noise levels in your area. To reduce excessive noise, use vibration isolator pads (**except on Models 2000 and 2000P**) or intake silencers, relocate the unit or construct total enclosures or baffle walls.

MOUNTING

WARNING Remove the unit from the skid before mounting.

ELECTRIC MOTOR UNITS. Bolt the unit to a firm, level foundation (such as a concrete floor). Do not bolt uneven feet tightly to the foundation, as this will cause excessive stress on the receiver tank. Use metal shims under the "short" feet if necessary. **DO NOT USE VIBRATION ISOLATOR PADS ON MODELS 2000 AND 2000P.**

Typical Permanent Mounting (Customer Supplied Hardware)



GASOLINE ENGINE UNITS. Bolt the unit to a firm, level foundation. Do not bolt uneven feet tightly to the foundation, as this will cause excessive stress on the receiver tank. Use metal shims under the "short" feet if necessary. Gasoline engine units mounted on truck beds must be fastened securely without applying excessive stress on the receiver tank. We recommend installing a vibration isolator kit with gasoline engine models.

INSTALLING REMOTE AIR INLET PIPING

CAUTION Do not operate the unit without air inlet filtration.

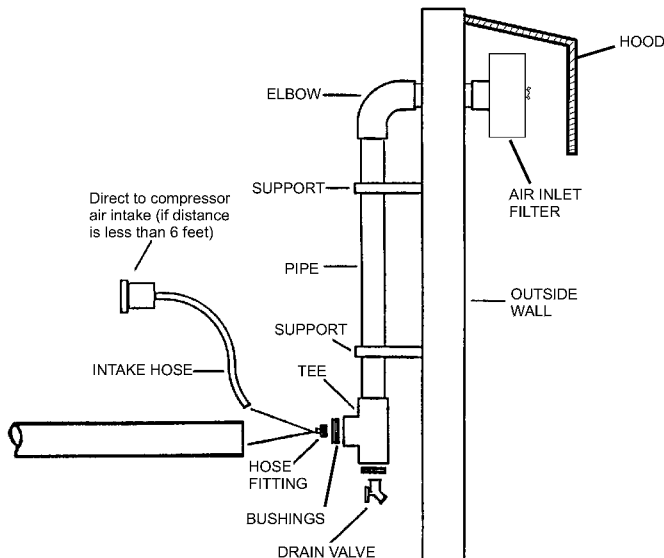
If the air around the unit is relatively free of dirt, install the air inlet filter at the inlet connection at the pump. If the air is dirty, pipe the filter to a source of clean air. Use PVC plastic tubes for remote inlet piping. Do not use black pipe or galvanized pipe, as these promote sweating and rust. Consider installing an in-line type filter for ease of cleaning and replacement. Make the line as short and direct as possible and as large, or larger, than the diameter of the inlet connection on the pump. Do not install piping with a diameter lower than that of the pump intake.

Increase the pipe diameter one size for every 10 feet (3 m) of length or every 90° bend. Make sure the piping is adequately braced.

If you pipe the filter outdoors, cover it with a hood to prevent the entrance of rain or snow.

Heavy duty filter elements and filtration equipment are available for fine airborne dust, such as cement and rock dust.

Typical Remote Air Inlet Piping.



INSTALLING DISCHARGE PIPING

WARNING Do not use plastic pipe, soldered copper fittings, rubber hose, or lead-tin soldered joints anywhere in the compressed air system.

CAUTION! If you will be using synthetic compressor lubricant, all downstream piping material and system components must be compatible. Refer to the following material compatibility list. If there are incompatible materials present in your system, or if there are materials not included in the list, contact Ingersoll-Rand for recommendations.

SYNTHETIC COMPRESSOR LUBRICANT MATERIAL COMPATIBILITY LIST

SUITABLE

Viton®, Teflon®, Epoxy (Glass Filled), Oil Resistant Alkyd, Fluorosilicone, Fluorocarbon, Polysulfide, 2-Component Urethane, Nylon, Delrin®, Celcon®, High Nitrile Rubber (Buna N. NBR more than 36% Acrylonitrile), Polyurethane, Polyethylene, Epichlorohydrin, Polyacrylate, Melamine, Polypropylene, Baked Phenolics, Epoxy, Modified Alkyds (® indicates trademark of DuPont Corporation)

NOT RECOMMENDED

Neoprene, Natural Rubber, SBR Rubber, Acrylic Paint, Lacquer, Varnish, Polystyrene, PVC, ABS, Polycarbonate, Cellulose Acetate, Low Nitrile Rubber (Buna N. NBR less than 36% Acrylonitrile), EPDM, Ethylene Vinyl Acetate, Latex, EPR, Acrylics, Phenoxy, Polysulfones, Styrene Acrylonitrile (San), Butyl

NOTE

All compressed air systems generate condensate which accumulates in any drain point (e.g. tanks, filters, drip legs, aftercoolers, dryers). This condensate contains lubricating oil and/or substances which may be regulated and must be disposed of in accordance with local, state, and federal laws and regulations.

GENERAL REQUIREMENTS. The piping, fittings, air receiver tank, etc. must be certified safe for at least the maximum working pressure of the unit. Use hard-welded or threaded steel or copper pipes and cast iron fittings that are certified safe for the unit's discharge pressure and temperature. **DO NOT USE PVC PLASTIC IN THE COMPRESSED AIR DISCHARGE LINE.** Use pipe thread sealant on all threads, and make up joints tightly to prevent air leaks.

CONDENSATE DISCHARGE PIPING. If installing a condensate discharge line, the piping must be at least one size larger than the connection, as short and direct as possible, secured tightly and routed to a suitable drain point or waste container. Condensate must be disposed of in accordance with local, state, and federal laws and regulations.

WARNING If an aftercooler, check valve, block valve, or any other restriction is added to the compressor discharge, install a properly-sized ASME approved safety/relief valve between the compressor discharge and the restriction.

INSTALLING ELECTRICAL WIRING (ELECTRIC MOTOR UNITS)

WARNING Electrical installation and service should be performed by a qualified electrician who is familiar with all applicable local, state and federal laws and regulations.

GENERAL. The motor rating, as shown on the motor nameplate, and the power supply must have compatible voltage, phase and hertz characteristics.

WIRE SIZE. The electrical wiring between the power supply and electric motor varies according to motor horsepower and other factors. Install adequately sized power leads to protect against

excessive voltage drop during start-up. Refer to the National Electric Code (NEC) for information on selecting the proper wire size and securing electrical connections. If you connect additional electrical equipment to the same circuit, consider the total electrical load when selecting the proper wire size. **DO NOT USE UNDERSIZE WIRE.**

If wire size information is not available, the wire sizes shown in the following wire selection chart can be used as a safe guide, if the distance does not exceed 50 feet (15.3 m). For longer distances, consult and electrical contractor or the local electric company for recommendations.

MOTOR HP	SINGLE PHASE		THREE PHASE			
	115V	230V	200V	230V	460V	575V
1	12	14	14	14	14	14
1.5	10	14	14	14	14	14
2	8	14	14	14	14	14
3	8	12	14	14	14	14
5	4	8	10	12	14	14
7.5		6	8	10	14	14
10			8	8	12	14
15			4	6	10	10
20			3	4	8	10
25			1	2	6	8
30			0	1	6	8

MAGNETIC STARTER. If the motor installed on your unit has a motor reset button, it does not require a magnetic starter. If the motor does not have this button and the unit does not have a factory-installed starter, install a magnetic starter with thermal overload protection. Follow the manufacturer's instructions for installation. Ingersoll-Rand cannot accept responsibility for damages arising from failure to provide adequate motor protection.

FUSES. Refer to the NEC to determine the proper fuse or circuit breaker rating required. When selecting fuses, remember the momentary starting current of an electric motor is greater than its full load current. Time-delay or "slow-blow" fuses are recommended.

PRESSURE SWITCH. On units without a factory-installed pressure switch, wire a pressure switch in accordance with the appropriate wiring schematic in the DIAGRAMS section of this manual. Mount the pressure switch in accordance with the manufacturer's recommendations. The connecting line to the receiver tank must be as short and direct as possible, and certified safe for at least the maximum working pressure of the unit.

CONNECTING A BATTERY (GASOLINE ENGINE UNITS) _____

NOTE If you will be making connections to a remote battery, the engine on the compressor unit must be equipped with an alternator.

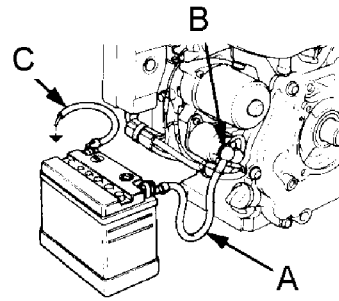
BATTERY. A 12 volt battery with a minimum current rating of 250 CCA (cold cranking amps) and minimum ampere-hour rating of 24 Ah should be sufficient for cranking most electric start engines.

BATTERY CABLES. Refer to the following table for size and length recommendations.

Cable Size (GA)	Maximum Length
6	5' (1.5 m.)
4	7'-2.5" (2.1 m.)
2	12' (3.6 m.)

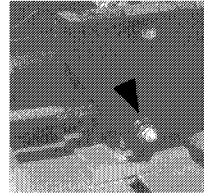
CONNECTION PROCEDURES:

1. Connect the battery positive (+) cable (A) to the starter solenoid terminal (B).

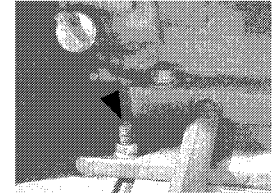


2. Connect the battery negative (-) cable (C) to the bolt shown in the following illustration. Secure the wire in place by screwing a suitably-sized nut onto the bolt and down onto the terminal.

Kohler



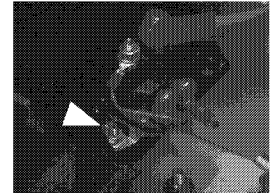
Honda



Kawasaki



Ingersoll-Rand



3. Connect the battery positive (+) cable (A) to the battery positive (+) terminal.
4. Connect the battery negative (-) cable to the battery negative (-) terminal.
5. Coat the terminals and cable ends with corrosion-preventive grease.

⚠ WARNING Remove the cable from the negative (-) side of the battery before servicing.

Refer to the engine manufacturer's instructions for more information.

FUEL PUMP INSTALLATION (GASOLINE ENGINE UNITS) _____

Some engines use an optional fuel pump to supply gasoline to the engine directly from a vehicle's onboard fuel system. Install the fuel pump within 12 inches (30 cm) of the bottom surface of the vehicle's fuel tank. Protect the pump from contamination by installing a fuel isolation valve and an inline filter between the pump fuel system.

COMPRESSOR LUBRICATION _____

⚠ CAUTION Do not operate without lubricant or with inadequate lubricant. Ingersoll-Rand is not responsible for compressor failure caused by inadequate lubrication.

SYNTHETIC COMPRESSOR LUBRICANT. Ingersoll-Rand recommends All Season T30 Select synthetic lubricant from start-up. See the WARRANTY section for extended warranty information.

ALTERNATE LUBRICANTS. You may use XL-300 or a comparable petroleum-based lubricant that is premium quality, does not contain detergents, contains only anti-rust, anti-oxidation, and anti-foam agents as additives, has a flashpoint of 440°F (227°C) or higher, and has an auto-ignition point of 650°F (343°C) or higher.

See the petroleum lubricant viscosity table below. The table is intended as a general guide only. Heavy duty operating conditions require heavier viscosities. Refer specific operating conditions to Ingersoll-Rand for recommendations.

Temperature Around Compressor		Viscosity @ 100°F (37.8°C)		Viscosity Grade	
°F	°C	SUS	Centistokes	ISO	SAE
< 40	< 4.4	150	32	32	10
40-80	4.4-26.7	500	110	100	30
80-125*	26.7-51.0*	750	165	150	40

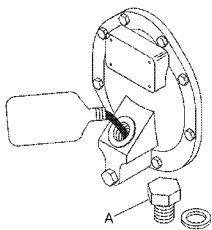
* = For Models 2000 and 2000P, use Ingersoll-Rand XL-740HT Compressor Oil in temperatures above 100°F (37.7°C).

If you use a petroleum-based compressor lubricant at start-up and decide to convert to All Season T30 Select later on, the pump must be decarbonized and flushed before conversion. Contact Ingersoll-Rand for more information.

FILLING PROCEDURES:

1. Unscrew and remove the oil fill plug.
2. Fill the crankcase with lubricant.
3. Replace the oil fill plug **HAND TIGHT ONLY**.

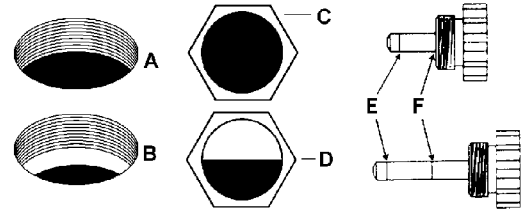
⚠ **CAUTION** Do not remove the oil fill plug while the compressor is running.



Refer to the following table for crankcase capacity.

Model	Crankcase Capacity
2340	28 oz. (827 ml.)
2475	41 oz. (1212 ml.)
2545	73 oz. (2158 ml.)
7100	80 oz. (2365 ml.)
15T, 2000, 2000P	144 oz. (4258 ml.)

Use one of the following methods illustrated to determine when the crankcase is full.



A = FULL level at bottom thread of oil fill opening on units without sight glass or dipstick.

B = ADD level below bottom thread of oil fill opening on units without sight glass or dipstick.

C = FULL level on units with sight glass.

D = ADD level on units with sight glass.

E = ADD level on units with dipstick.

F = FULL level on units with dipstick.

LOW OIL LEVEL SWITCH

A float activated low oil level switch may be installed to protect your unit against damage due to insufficient compressor oil level. Low oil level in the compressor crankcase causes the switch contacts to open, thus shutting the unit down until the proper oil level has been restored.

Proper protection against low oil level depends on proper adjustment of the low oil level switch. During the initial run, stop the unit and drain one quart of oil from the compressor crankcase into a suitable clean container. Listen for the switch to click or check the switch with a continuity tester.

The float sometimes gets cocked or stuck during shipping. If the float is cocked or stuck, open the disconnect switch, drain the remaining oil, remove the crankcase cover and then free the float. Reassemble and then reuse the same oil.

NOTE If the float is cocked in the low position, the unit cannot start.

OPERATION

INTERMITTENT DUTY FORMULA

Units operating above 200 PSIG are to be operated according to the "Intermittent Duty Formula."

INTERMITTENT DUTY FORMULA

Pump-up time should not ordinarily exceed thirty (30) minutes or be less than ten (10) minutes. Shutdown periods between cycles of operation should be at least equal to the pump-up time. Note: When the compressor is regulated by constant speed control, the shutdown period is the time the compressor is operating unloaded.

A pump-up time limit with the following cool-down period is recommended to protect the valves and heads against stabilized high operating temperatures, which could rapidly build up carbon in these areas.

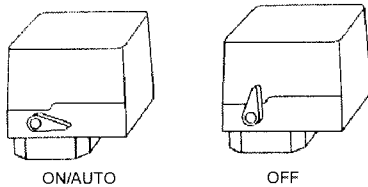
All inquiries for high-pressure compressor application where the "use" cycle differs from the "Intermittent Duty Formula" should be referred to Ingersoll-Rand.

START-UP (ELECTRIC MOTOR DRIVEN MODELS)

1. Close the service valve.

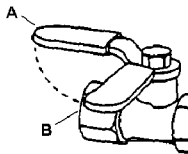
- Release any remaining tank pressure by slowly opening the manual drain valve.
- Close the manual drain valve and apply power to the compressor. If the pressure switch is equipped with an "ON/AUTO-OFF" lever, flip the switch to the "ON/AUTO" position. If the unit is equipped with a control panel "ON/OFF" switch, move the switch to the "ON" position.

Typical Pressure Switch Lever (If Equipped)



- Slowly open the service valve.

Typical Service Valve (A = Open, B = Closed)



CAUTION Unusual noise or vibration indicates a problem. Do not continue to operate until you identify and correct the source of the problem.

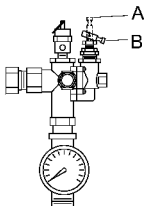
NOTE Ensure the direction of rotation is correct per the arrow on the motor. If the rotation is incorrect on three-phase units, interchange any two of the three leads.

START-UP (GASOLINE ENGINE UNITS)

WARNING Do not operate gasoline engine units in an enclosed area.

- Release any remaining tank pressure by slowly opening the manual drain valve.
- Turn on the engine gasoline supply.
- Put the choke in the "on" position.
- Close the service valve and put the unloader lever in the "unload" (A) position for Kawasaki and Honda engine driven models, or the "load" (B) position for Kohler engine driven models.
- Start the engine, release the choke, and allow the engine to warm up for two to three minutes.
- Return the unloader lever to the "load" (B) position on Kawasaki and Honda engine driven models.

Typical Unloader (A = Unload, B = Load)



NOTE Turn the gasoline supply off when the compressor is not being used.

NOTE Some gasoline engine driven compressors require 5-8 break-in hours of operation before reaching full capacity and speed.

COMPRESSOR CONTROLS

AUTOMATIC START & STOP CONTROL. This type of control applies to electric motor driven models under 10 horsepower.

NOTE Automatic Start & Stop Control is intended for use when the motor will start no more than 6 times per hour.

When the receiver tank pressure reaches the factory pre-set maximum pressure (usually 175 PSIG), the pressure switch stops the unit. When the receiver tank pressure drops below the factory pre-set minimum (usually 135 PSIG), the pressure switch resets and restarts the unit.

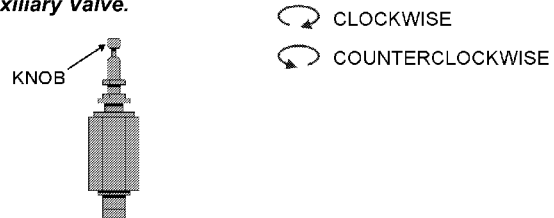
CONSTANT SPEED CONTROL. This type of control applies to gasoline engine units.

When the receiver tank pressure reaches the factory pre-set maximum pressure (usually 175 PSIG), the unloader slows down the engine and the unit stops pumping. When the receiver tank pressure drops to the factory pre-set minimum (usually 145 PSIG), the unloader resets, the engine returns to full speed, and the unit resumes pumping.

DUAL CONTROL. This type of control applies to electric motor units over 10 horsepower. Select either automatic start and stop control or constant speed control by adjusting the knob on the auxiliary valve. For automatic start and stop control, turn the knob on the auxiliary valve fully clockwise to disable the auxiliary valve. The pressure switch will then start and stop the unit.

NOTE For dual control models, automatic start and stop is preferred.

Auxiliary Valve.



Select constant speed control if the unit restarts in less than 10 minute intervals or runs more than 40 minutes per hour. Turn the knob fully counterclockwise to run the unit continually. When the receiver tank pressure reaches 170 PSIG, the unit runs but does not pump.

NOTE The auxiliary valve is factory pre-set at 5 PSIG lower than the factory pressure switch setting.

CAUTION Running unloaded for more than 20 minutes per hour or more than 15 minutes continually with the use of constant speed control will cause oil pumping and should be avoided.

PRESSURE SWITCH ADJUSTMENT

WARNING High voltage is present at the pressure switch contacts when the power supply is connected. Disconnect, lock and tag main power supply before making adjustments.

CAUTION Do not adjust the pressure switch to exceed the maximum discharge pressure of the unit.

NOTE Adjust the pressure switch only if adjustments are absolutely necessary.

CUT-IN & CUT-OUT. The cut-out (compressor shut-down) is the pressure at which the switch contacts open, and the cut-in (compressor restart) is the pressure at which the switch contacts close. See COMPRESSOR CONTROLS.

ADJUSTMENT CONTROLS. All pressure switches have a range adjustment control (A). Some pressure switches also have a differential adjustment (B) control. On switches without a differential

adjustment control, the span between cut-in and cut-out pressure levels switches is factory set for 40 ± 4 PSIG and cannot be adjusted.

NOTE Some pressure switches are equipped with an on-off lever used to open and close the electrical contacts inside the switch. **THIS LEVER IS NOT A DIFFERENTIAL ADJUSTMENT CONTROL.** The pressure switches with the on-off lever do not have a differential adjustment control.

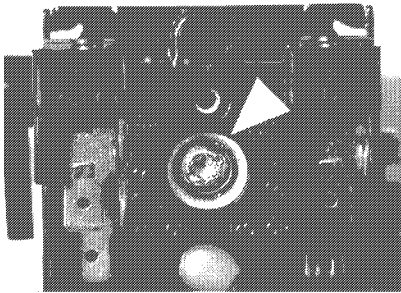
ADJUSTMENT PROCEDURES (SWITCHES WITHOUT DIFFERENTIAL ADJUSTMENT CONTROL):

1. Remove the pressure switch cover.
2. Adjust the range by turning the range adjustment screw clockwise (in) to increase the cut-out point or counter-clockwise (out) to decrease the cut-out point.

NOTE: One full turn changes the setting approximately 2 PSIG.

3. Replace cover, reconnect power supply and start the compressor.
4. Note the pressure gauge reading at which the compressor cuts out.
5. Repeat adjustment procedure if necessary.

Pressure Switch Range Adjustment.



ADJUSTMENT PROCEDURES (SWITCHES WITH DIFFERENTIAL ADJUSTMENT CONTROL):

1. Remove the pressure switch cover.
2. Set the cut-in pressure with the range adjustment nut. Turn the nut clockwise (in) to increase the pressure or counter-clockwise (out) to decrease the pressure.

NOTE: One full turn changes the setting approximately 2 PSIG.

3. Set the cut-out pressure with the differential adjustment. Turn the differential adjustment nut clockwise (in) to increase the pressure or counter-clockwise (out) to decrease the pressure.

NOTE: One full turn changes the setting approximately 2 PSIG.

4. Replace the cover, reconnect the power supply and start the unit.
5. Note the pressure gauge reading at which the unit cuts out.
6. Repeat the adjustment procedure if necessary.

The minimum possible differential is approximately 20% of cutout pressure. It is advisable to have as wide a differential as possible to avoid frequent starting and stopping of the unit. Note the pressure gauge reading at which the unit cuts-out and re-establish this point if necessary.

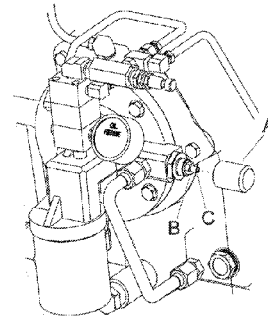
Note the interaction between the range and differential adjustments, i.e., if the cut-out is increased, the differential will also increase, or if the differential is narrowed, the cut-out will be reduced, etc. These factors must be considered when adjusting the switch and compensated for accordingly.

OIL PRESSURE ADJUSTMENT (MODEL 2000P)

For pressure lubricated compressors, the oil pressure should be checked upon start-up by observing the oil pressure gauge. The acceptable operating range is 15-40 psig. It is normal for the oil pressure to vary slightly with oil temperature. Compressors equipped with an optional low oil pressure shutdown system will automatically shut down if the oil pressure drops below 10 psig.

The oil pump is equipped with an adjustable pressure regulator which may be reset if conditions warrant. Refer to the following illustration and instructions:

1. Use an adjustable wrench to remove the knurled cover for the valve on the right side of the oil pump housing (A).
2. Loosen the retaining nut (B) with a 7/16" wrench such that the threaded rod (C) is free to rotate.
3. Using a 1/8" hex key, adjust the threaded rod to the desired setting. Turning the rod clockwise increases the oil pressure setting, and turning the rod counterclockwise decreases the oil pressure.
4. When the oil pressure is set, tighten the retaining nut and replace the knurled cover.



STARTING UNLOADING SYSTEM

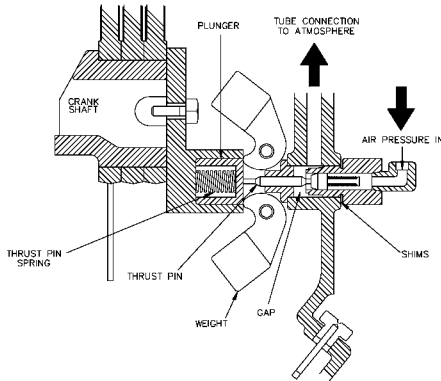
The starting unloading feature exists on certain models. The purpose of the system is to relieve cylinder pressure when the unit stops, permitting it to start against a light load. A light load increases the life of the driver and belts and also reduces the possibility of tripping the overload relay. The system operates in the following manner:

The centrifugal unloader is attached to the end of the crankshaft as shown in the following illustrations.

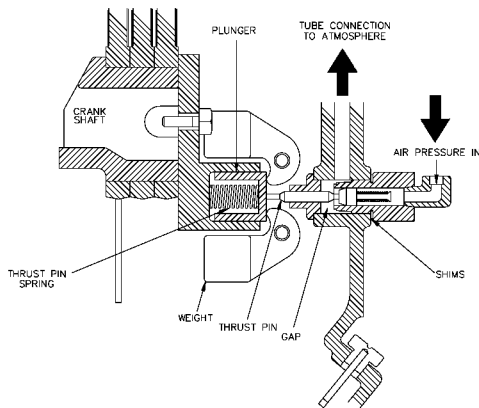
When the unit starts, centrifugal force acts upon the unloader weights and they swing outward. This permits the plunger and thrust pin to move inward and the pilot valve to close. The escape path to atmosphere for the cylinder pressure is now closed and the compressor pumps air in a normal manner.

When the unit stops, the weights retract, permitting the thrust pin spring to move the plunger and thrust pin outward. The thrust pin opens the pilot valve and the trapped air pressure escapes from the cylinder and intercooler through a passage in the frame end cover, through the unloader tube and to atmosphere through the inlet filter/silencer.

Position of weight and thrust pin when unit is operating.



Position of weight and thrust pin when unit is stopped.

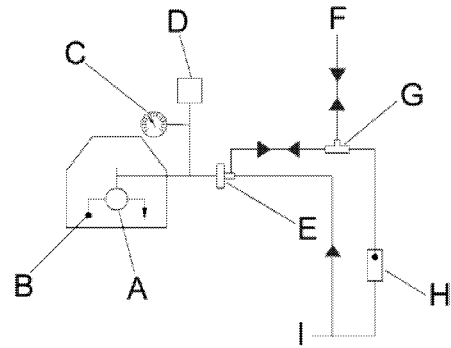


STARTING UNLOADING SYSTEM (PRESSURE LUBRICATED MODELS)

Pressure lubricated compressors use a hydraulic unloader system to provide loadless starting. This system has the added feature of providing emergency unloading should oil pressure be lost during compressor operation.

The hydraulic unloader circuit bypasses the auxiliary valve (H) to direct control air to the head unloaders when oil pressure is lost. This circuit is controlled by the hydraulic unloader valve (E), a normally open valve that closes on rising oil pressure. During compressor operation, the oil pressure holds the hydraulic unloader valve closed. Head unloader actuation is controlled by the auxiliary valve.

When oil pressure is lost, either due to compressor shutdown or to a lubrication problem during compressor operation, the hydraulic unloader opens, actuating the head unloaders (F). This action will either vent the shut down compressor in preparation for the next start-up or release compression load to minimize damage if oil pressure is lost while the compressor is running.



A = Oil Pump

B = Oil Filter

C = Oil Pressure Gauge

D = Oil Pressure Switch

E = Hydraulic Unloader Valve

F = Head Unloaders

G = Shuttle Valve

H = Auxiliary Valve

PILOT VALVE ADJUSTMENT

If the pilot valve tube line is excessively hot, it is a good indication that the pilot valve is leaking and adjustment is required.

To adjust the pilot valve, proceed as follows:

1. Stop the unit and disconnect and tag the electrical supply main switch to prevent accidental start-up.
2. Remove the pilot valve tube and the tube fittings.
3. Remove the pilot valve body and all existing shims.
4. Screw the pilot valve body back into the frame end cover (without any shims) until contact with the thrust pin is felt. Advance the pilot valve body 1/4 to 1/2 turn more.

If contact with the thrust pin cannot be felt, the following steps may be necessary to locate the contact point:

1. Insert a small instrument (punch, rod, nail, etc.) into the end of the pilot valve until it contacts the valve stem.
2. While still inserted in the pilot valve, make a mark on the instrument even with the outside edge of the pilot valve body.
3. Keeping the instrument pressed lightly against the valve stem, screw the pilot valve body into the frame end cover. When the mark on the instrument starts moving out away from the edge of the pilot valve body, contact has been made with the thrust pin.
4. Advance the pilot valve body 1/4 to 1/2 turn more and proceed with step five.
5. Measure the gap between the pilot valve body and the frame end cover.
6. Remove the pilot valve body and add enough shims to fill the gap measured in step five.
7. Screw the pilot valve body back into the frame end cover until the body is tight on the shims.
8. Reconnect the pilot valve tube and tube fittings.

BREATHER/UNLOADER BY-PASS

The breather/unloader by-pass tube lines eliminates air pressure build-up in the compressor frame by providing a passage for the air to escape through the inlet unloader (if opened) or (if closed) through the check valve, therefore, by-passing the inlet unloader and escaping to atmosphere through the inlet filter/silencer.

OIL CONSUMPTION CHECK

A rule of thumb in determining a "passing grade" for oil consumption is to consider consumption at or above 50 horsepower-hours per ounce to be acceptable.

The formula is as follows:

$$\frac{\text{Horsepower} \times \text{Hours of Operation}}{\text{Ounces of Oil Used}} = \text{Horsepower Hours per Ounce}$$

To apply this formula, consider the size of the machine. In the following example, a 5 horsepower compressor uses 2 ounces of oil every 20 hours of operation.

$$\frac{5 \text{ Horsepower} \times 20 \text{ Hours of Operation}}{2 \text{ Ounces of Oil Used}} = 50 \text{ Horsepower Hours per Ounce}$$

The compressor in the example passes the oil consumption test.

NOTE New or rebuilt compressor pumps will discharge higher than normal amounts of oil until the piston rings are seated (approximately 100 operating hours).

MAINTENANCE

△ WARNING Before performing maintenance, release air pressure from the system and disconnect, lock and tag the main power supply or disconnect the wire from the engine spark plug.

NOTE All compressed air systems contain maintenance parts (e.g. lubricating oil, filters, separators) which are periodically replaced. These used parts may be, or may contain, substances that are regulated and must be disposed of in accordance with local, state, and federal laws and regulations.

NOTE Take note of the positions and locations of parts during disassembly to make reassembly easier. The assembly sequences and parts illustrated may differ for your particular unit.

NOTE Any service operations not explained in this manual should be performed by an authorized service representative.

NOTE Reference the engine owner's manual for engine care information.

NOTE The following maintenance schedule has been developed for typical applications. Maintenance intervals should be shortened in harsher environments.

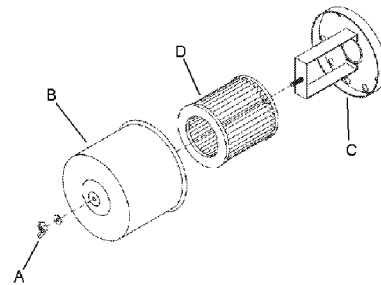
MAINTENANCE SCHEDULE

Daily or Before Each Operation	<ul style="list-style-type: none"> ● Check for oil leaks. ● Check lubricant level. Fill as needed. ● Drain receiver tank condensate (if automatic draining device is not provided). Open manual drain valve and collect and dispose of condensate accordingly. ● Check for unusual noise and vibration. ● Ensure beltguards and covers are securely in place. ● Ensure engine (if supplied) is filled with fuel and lubricant according to the manufacturer's recommendations. ● Ensure area around compressor is free from rags, tools, debris, and flammable or explosive materials. ● Check system oil pressure on pressure lubricated models while compressor is hot.
Weekly	<ul style="list-style-type: none"> ● Observe operation of safety/relief valves while the compressor is running. Replace safety/relief valves that do not operate freely. ● Inspect air filter element(s). Clean if necessary.
Monthly	<ul style="list-style-type: none"> ● Inspect for air leaks. Squirt soapy water around joints during compressor operation and watch for bubbles. ● Check tightness of screws and bolts. Tighten as needed. ● Inspect drive belts. Adjust if necessary. ● Clean exterior.
3/500 *	<ul style="list-style-type: none"> ● Change petroleum lubricant while crankcase is warm.
6/1000 *	<ul style="list-style-type: none"> ● Drain compressor oil and clean oil sight glass ● Replace oil filter and change lubricant (if necessary) on pressure lubricated models.
12/2000 *	<ul style="list-style-type: none"> ● Install maintenance pak — or — ● Change synthetic lubricant while crankcase is warm. ● Replace filter element.

* indicates months/operating hours, whichever occurs first.

FILTER INSPECTION & CLEANING

1. Unscrew and remove the wing nut (A) securing the filter housing (B) to its base (C).
2. Remove the filter housing and withdraw the old filter element (D). Clean the element with a jet of air or vacuum.
3. Replace the filter element and housing, securing it in place with the wing nut previously removed.



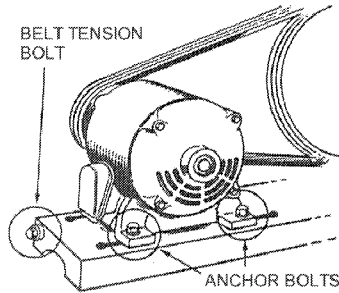
OIL CHANGE

1. Remove the oil drain plug (A) and allow the lubricant to drain into a suitable container.
2. Replace the oil drain plug.
3. Follow the filling procedures in OPERATION section.

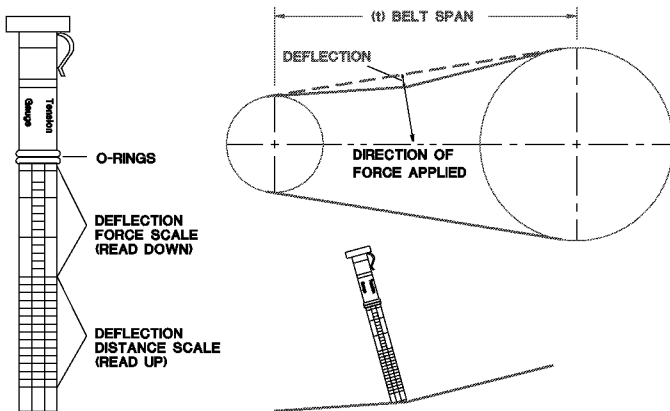
BELT ADJUSTMENT

CHECKING BELT TENSION. Check belt tension should be occasionally, especially if looseness is suspected. New belts must also be properly tensioned upon installation.

TENSIONING BELTS. Belt tensioning can be achieved by loosening the motor or engine anchor screws, pushing the motor or engine away from the pump, and retightening the motor or engine anchor screws. Some units are equipped with a belt tensioning bolt that, when turned, pulls the motor or engine away from the pump. Otherwise, the motor can be easily moved by placing a prying tool beneath it. A commercially available spreader or other belt tensioning device can also be helpful.



Follow the procedures outlined below to correctly set and measure belt tension on electric motor and gas engine models including 2340, 2475, and 2545 (with "A" belt type only). Refer to the following illustration for a visual representation.



1. Lay a straight edge across the top outer surface of the belt drive from pulley to sheave.
2. At the center of the span, perpendicular to the belt, apply pressure to the outer surface of the belt with a tension gauge. Force the belt

to the deflection indicated in the BELT TENSION TABLE in the DIAGRAMS & TABLES section. Compare the reading on the tension gauge to the table.

Follow the procedures outlined below to correctly set and measure tension on 7.5 through 30 horsepower models 2545, 7100, 15T and 2000 with "B" and "C" belt types.

1. Measure the span length (t) of the drive.
2. Determine the amount of deflection (in inches) required to measure deflection force (in pounds) by multiplying the span length (t) by 1/64. For example, a 32" span length multiplied by 1/64 equals 1/2" of deflection required to measure deflection force.
3. Lay a straight edge across the top outer surface of the belt drive from pulley to sheave.
4. At the center of the span, perpendicular to the belt, apply pressure to the outer surface of the belt with a tension gauge. Force the belt to the predetermined deflection calculated in step 2. Compare the reading on the tension gauge to the BELT TENSION TABLE in the DIAGRAMS & TABLES section.

Ensure the pulley and sheave are properly aligned and the motor anchor screws are adequately retightened prior to restarting the compressor.

⚠ CAUTION Improper pulley/sheave alignment and belt tension can result in motor overload, excessive vibration, and premature belt and/or bearing failure.

To prevent these problems from occurring, ensure the pulley and sheave are aligned and belt tension is satisfactory after installing new belts or tensioning existing belts.

TANK INSPECTION

The life of an air receiver tank is dependent upon several factors including, but not limited to, operating conditions, ambient environments, and the level of maintenance. The exact effect of these factors on tank life is difficult to predict; therefore, Ingersoll-Rand recommends that you schedule a certified tank inspection within the first five years of compressor service. To arrange a tank inspection, contact Ingersoll-Rand.

If the tank has not been inspected within the first 10 years of compressor service, the receiver must be taken out of service until it has passed inspection. Tanks that fail to meet requirements must be replaced.

⚠ WARNING Failure to replace a rusted air receiver tank could result in air receiver tank rupture or explosion, which could cause substantial property damage, severe personal injury, or death. Never modify or repair tank. Obtain replacement from service center.

TROUBLESHOOTING

PROBLEM	CHECK POINT
Abnormal piston, ring or cylinder wear	4, 8, 9, 19, 28, 35
Air delivery drops off	1, 6, 15, 16, 18, 19, 29
Automatic drain valve leaks or does not drain automatically	16
Auxiliary valve chatters or leaks around stem	23, 24
Broken intercooler or aftercooler tubes	36
Compressor does not come up to speed	2, 6, 12, 15, 21
Compressor is slow to come up to speed	26, 27, 33, 34
Compressor runs excessively hot	3, 14, 15, 22
Compressor will not unload cycle	23, 24, 26
Compressor will not unload when stopped	26, 33
Excessive noise during operation	2, 6, 15, 16, 21, 27, 32
Excessive starting and stopping	5, 11, 16, 32, 40
Knocks or rattles	2, 15, 17, 19, 20, 21
Lights flicker or dim when running	12, 13
Moisture in crankcase or "milky" appearance in petroleum lubricant or rusting in cylinders	9, 10
Motor overload trips or draws excessive current	5, 6, 12, 13, 14, 15, 16, 19, 20, 21, 34
Oil in discharge air (oil pumping)	4, 7, 9, 18, 19, 25, 35
Oil leaking from shaft seal	25
Safety/relief valve "pops"	1, 5, 29, 30
High interstage pressure	30
Low interstage pressure	31
Engine cranks slowly or will not start	6, 14, 37, 38
Motor will not start	12
Engine will not start	39
Oil Leaks	41
Low Oil Pressure	42, 43, 44, 46
Excessive oil pressure fluctuations (> 5 psi)	42, 43, 44, 45, 46

CHECK POINT	POSSIBLE CAUSE	POSSIBLE SOLUTION
1	Clogged or dirty inlet and/or discharge line filter.	Clean or replace.
2	Loose beltwheel or motor pulley, excessive end play in motor shaft or loose drive belts.	Check beltwheel, motor pulley, crankshaft, drive belt tension and alignment. Repair or replace as required.
3	Inadequate ventilation around beltwheel.	Relocate compressor for better air flow.
4	Lubricant viscosity too low.	Drain existing lubricant and refill with proper lubricant.
5	Air leaks in air discharge piping.	Check tubing and connections. Tighten joints or replace as required.
6	Lubricant viscosity too high.	Drain existing lubricant and refill with proper lubricant.
7	Lubricant level too high.	Drain excess lubricant.
8	Lubricant level too low.	Add lubricant to crankcase to proper level.
9	Detergent type lubricant being used.	Drain existing lubricant and refill with proper lubricant.
10	Extremely light duty cycles. Compressor located in damp or humid location.	Run compressor for longer duty cycles. Relocate compressor or install crankcase heater kit.
11	Pressure switch differential too narrow.	Adjust pressure switch to increase differential, if differential adjustment is provided. Install pressure switch with differential adjustment feature if differential adjustment is desired.
12	Improper line voltage. Wiring or electric service panel too small. Poor contact on motor terminals or starter connections. Improper starter overload heaters.	Check line voltage and upgrade lines as required. Contact electrician. Install properly sized wire or service box. Contact electrician. Ensure good contact on motor terminals or starter connections. Install proper starter overload heaters. Contact electrician.
13	Poor power regulation (unbalanced line).	Contact power company.
14	Drive belts too tight or misaligned.	Adjust belts to proper tension and alignment.
15	Compressor valves leaky, broken, carbonized or loose.	Inspect valves. Clean or replace as required. Install Valve/Gasket Step Saver Kit..
16	Automatic drain valve clogged, leaking or defective.	Inspect valve and clean, repair or replace as required.
17	Carbon build-up on top of piston(s).	Clean piston(s). Repair or replace as required.
18	Piston rings damaged or worn (broken, rough or scratched). Excessive end gap or side clearance. Piston rings not seated, are stuck in grooves or end gaps not staggered.	Install Ring/Gasket Step Saver Kit. Adjust piston rings.
19	Cylinder(s) or piston(s) scratched, worn or scored.	Repair or replace as required.
20	Connecting rod, piston pin or crankpin bearings worn or scored. Loose bearing spacer on crankshaft.	Inspect all. Repair or replace as required. Install Bearing/Connecting Rod Step Saver Kit.
21	Defective ball bearings on crankshaft or motor shaft.	Inspect bearings and replace if required. Install Bearing/Connecting Rod Step Saver Kit.
22	Wrong beltwheel direction of rotation.	Check motor wiring for proper connections. Reverse two leads on three-phase motors.
23	Leaking, broken or worn inlet unloader parts.	Inspect parts and replace as required.
24	Auxiliary valve dirty or seats worn.	Inspect parts. Clean, adjust or replace as required.
25	Crankshaft seal worn or crankshaft scored.	Replace seal. Install shaft sleeve if required. Install Bearing/Connecting Rod Step Saver Kit.
26	Leaking or maladjusted centrifugal pilot valve.	Replace pilot valve o-ring. Adjust pilot valve.
27	Leaking check valve or check valve seat blown out.	Replace check valve.
28	Extremely dusty atmosphere.	Install remote air inlet piping and route to source of cleaner air. Install more effective filtration.
29	Defective safety/relief valve.	Replace.
30	High pressure inlet valve leaking.	Inspect, clean or repair as required.
31	Low pressure discharge valve leaking.	Inspect, clean or repair as required.
32	Automatic start and stop mode is not suitable for air demand.	Adjust auxiliary valve for constant speed operation.
33	Pressure switch unloader leaks or does not work.	Realign stem or replace.
34	Ambient temperature too low.	Install crankcase heater kit. Convert to All Season T30 Select lubricant. Relocate compressor to warmer environment.
35	Worn cylinder finish.	Deglaze cylinder with 180 grit flex-hone.
36	Beltwheel out of balance, tubes not braced or secured, wrong pulley speed.	Check vibration level, change pulley or beltwheel if required, tighten tube clamps.
37	Engine not grounded properly.	Ground battery to engine as recommended.
38	Gasoline exceeds storage time or contains water.	Replace gas, add fuel stabilizer.
39	No fuel in tank. Fuel valve closed. Low oil pressure.	See manufacturer's instructions for refueling. Open fuel valve. See manufacturer's instructions.
40	Excessive condensate in receiver tank.	Drain receiver tank with manual drain valve or install automatic drain valve.
41	Loose fittings/elbows/connectors	Re-torque fittings per specified torque requirements
42	Maladjusted or defective oil pressure regulator valve	Adjust valve to proper setting Replace regulator valve
43	Maladjusted or defective hydraulic unloader valve	Replace hydraulic unloader valve assembly
44	Defective oil pressure gauge	Replace gauge
45	Oil foaming in crankcase	Drain existing lubricant, thoroughly clean crankcase, replace lubricant
46	Debris or other obstruction blocking oil flow	inspect/clean all oil passages

DIAGRAMS & TABLES

FASTENER TORQUE TABLE

	2340	2475	2545	7100	2000 & 2000P
High Pressure Head Bolts	75	75	75	75	120
Low Pressure Head Bolts	75	75	75	75	120
Cylinder Flange Bolts	30	50	50	50	50
Frame Cover Bolts	17	17	17	20	20
Shaft Cover Bolts	17	17	17	20	50
Crankpin Cap Screws	5.5	11	11	12-15	—
Unloader Cover Screws	—	—	11	11	—
High Pressure Inlet Valve Screws	11-15 LB-IN	11-15 LB-IN	11-15 LB-IN	5.5	36 LB-IN
Low Pressure Inlet Valve Screws	11-15 LB-IN	25-30 LB-IN	25-30 LB-IN	5.5	36 LB-IN
High Pressure Outlet Valve Screws	11-15 LB-IN	11-15 LB-IN	11-15 LB-IN	26	36 LB-IN
Low Pressure Outlet Valve Screws	25-30 LB-IN	25-30 LB-IN	25-30 LB-IN	26	36 LB-IN
Beltwheel Bolt	33	60	60	113	80
High Pressure Head Center Bolts	—	—	10	—	—
Low Pressure Head Center Bolts	—	—	14-16	—	—
Unloader Guide Mounting Screw	—	—	—	—	25
Low Oil Level Switch Baffle Screw	—	—	—	—	5
Head Center Acorn Nuts	—	—	—	—	7
Pilot Valve	—	—	—	—	25
Unloader Body Assembly	—	—	—	—	25
Bearing/Unloader Housing Bolts	—	—	—	—	25
Valve Plate Studs	—	—	—	—	7

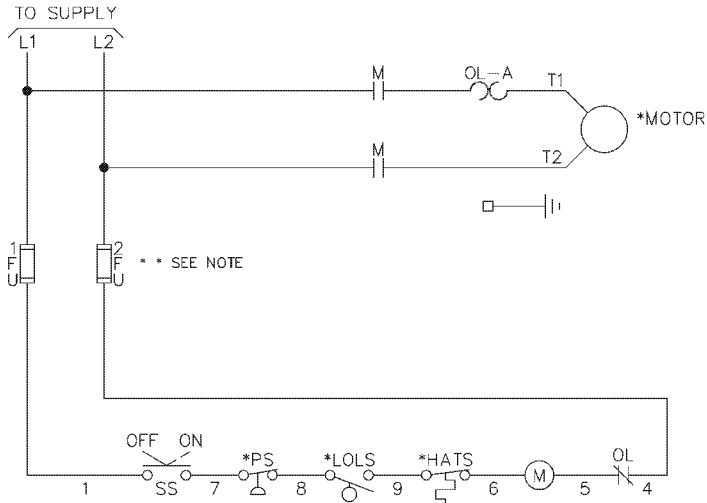
NOTE Tighten all fasteners evenly using a cross pattern in two stages.

BELT TENSION TABLE

MODEL	DEFLECTION (IN.)	TENSION (LB.)	BELT TYPE	HORSEPOWER	TENSION AT 1/64" DEFLECTION PER INCH OF SPAN
2340 (14" Span)	0.25	4.9 - 7.1			
2340 (19" Span)	0.29	4.9 - 7.1	B	7.5	7.0 - 10.0
2475 (14" Span)	0.25	4.9 - 7.1		10-15	8.0 - 12.0
2475 (19" Span)	0.29	4.9 - 7.1	C	20	12.0 - 18.0
2475F/X11GH	0.34	5.5 - 8.0		25-30	14.0 - 21.0
2475F/X9/11GK	0.25	11.25 - 13.0	5V	25-30	
2475N5 (14.5" Span, Cogged belt)	0.23	4.5 - 6.5			
2545 (A Groove)	0.29	4.9 - 7.1			

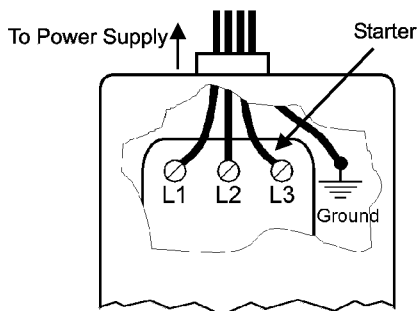
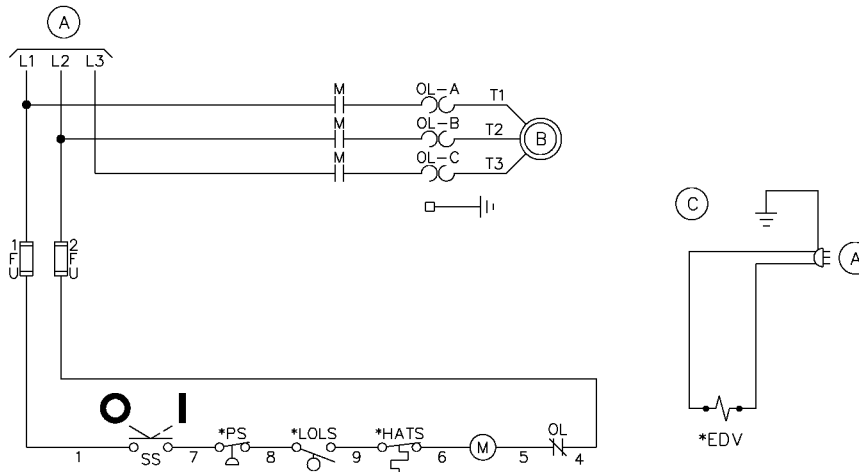
ELECTRICAL WIRING DIAGRAMS

Single Phase Wiring



A	To supply
C	Wiring for optional electric drain valve
EDV	Electric drain valve
T	Supply Line Terminal
L	Load Terminal
FU	Control Circuit Fuse
HATS	High Air Temperature Switch (#)
LOLS	Low Oil Level Switch (#)
M	Motor Starter Coil
OL	Motor Starter Overload
PS	Pressure Switch
SS	Selector Switch (#)
*	Alternate wiring for converting 3 phase starter to 1 phase application
(#)	= if provided

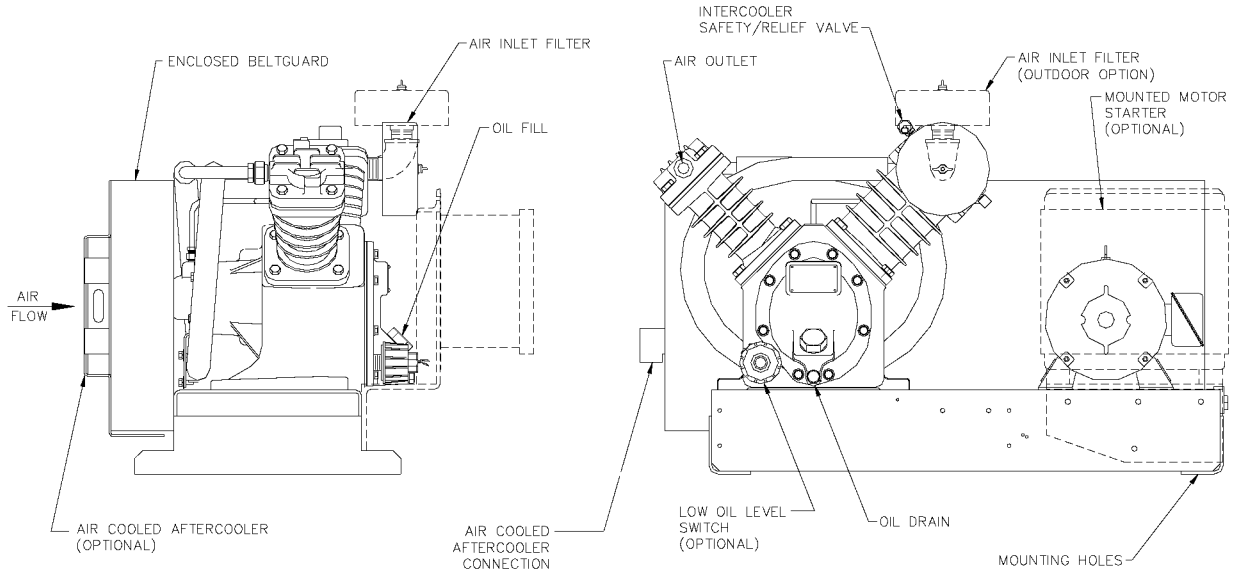
Three Phase Wiring



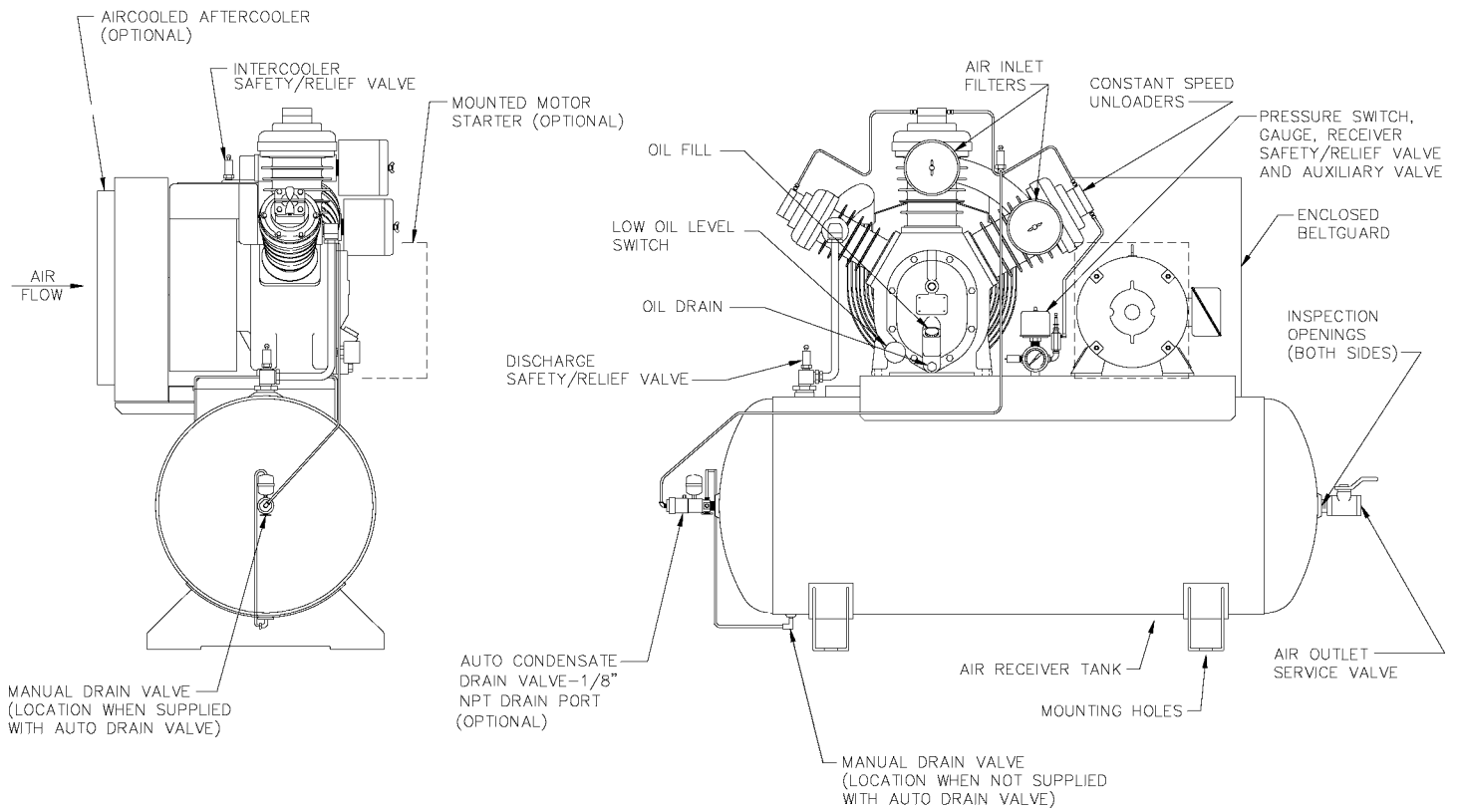
NOTE On units requiring a starter, connect line power to the starter. do not connect line power to the pressure switch.

- Connect ground wire to ground lug
- L3 used for 3-phase motors & starters only

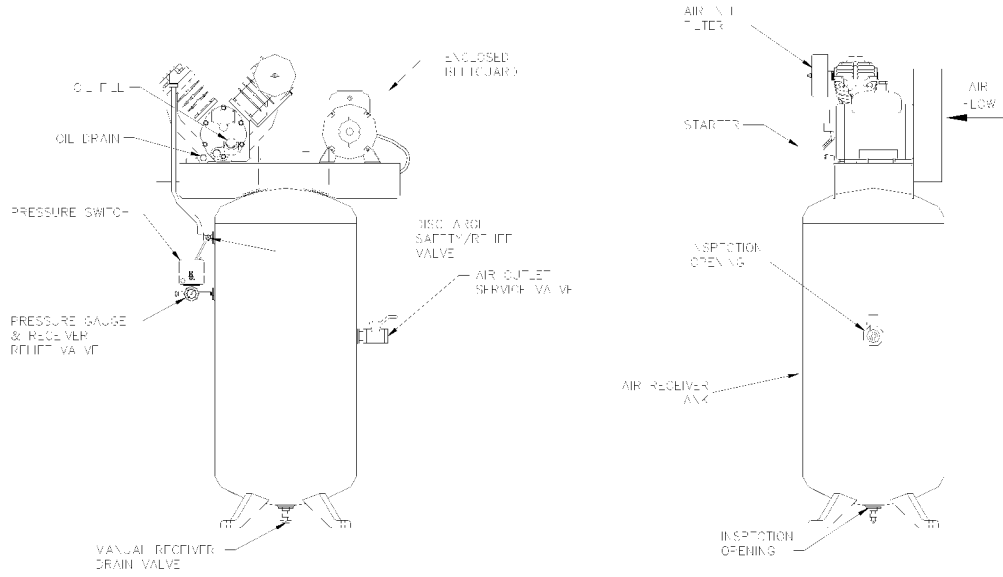
Typical Baseplate Unit



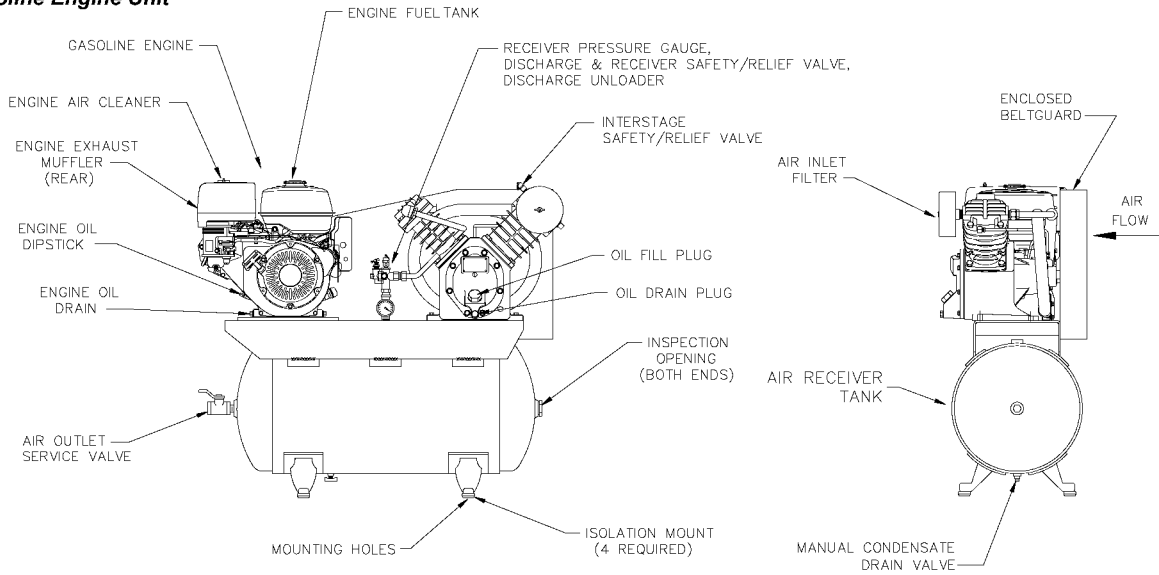
Typical Horizontal Simplex Unit



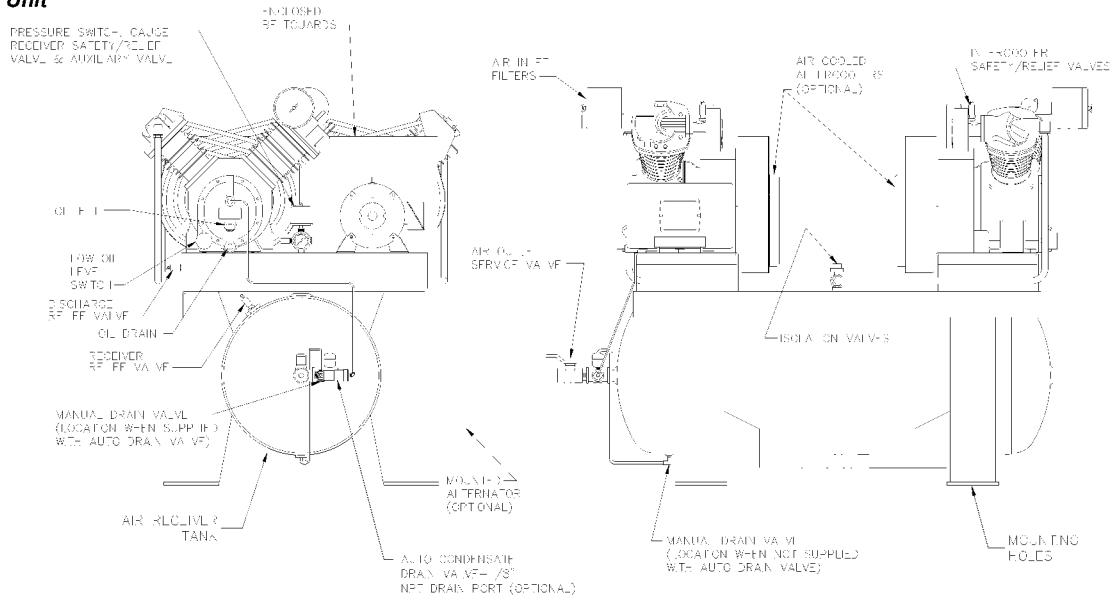
Typical Vertical Simplex Unit



Typical Gasoline Engine Unit



Typical Duplex Unit



WARRANTY

Ingersoll-Rand Company warrants that the Equipment manufactured by it and delivered hereunder shall be free of defects in material and workmanship for a period of twelve (12) months from the date of placing the Equipment in operation or eighteen (18) months from the date of shipment, whichever shall occur first. The foregoing warranty period shall apply to all Equipment, except for the following: (A) Compressors that are operated solely on All Season T30 Select synthetic compressor lubricant will have their bare compressor warranted for the earlier of twenty-four (24) months from the date of initial operation or thirty (30) months from the date of shipment. (B) Replacement parts will be warranted for six (6) months from the date of shipment. Should any failure to conform to this Warranty be reported in writing to the Company within said period, the Company shall, at its option, correct such nonconformity by suitable repair to such Equipment, or furnish a replacement part F.O.B. point of shipment, provided the purchaser has installed, maintained and operated such equipment in accordance with good industry practices and has complied with specific recommendations of the Company. Accessories or equipment furnished by the Company, but manufactured by others, shall carry whatever warranty the manufacturer conveyed to Ingersoll-Rand Company and which can be passed on to the Purchaser. The Company shall not be liable for any repairs, replacements, or adjustments to the Equipment or any costs of labor performed by the Purchaser without the Company's prior written approval.

The Company makes no performance warranty unless specifically stated within its proposal and the effects of corrosion, erosion and normal wear and tear are specifically excluded from the Company's Warranty. In the event performance warranties are expressly included, the Company's obligation shall be to correct in the manner and for the period of time provided above.

THE COMPANY MAKES NO OTHER WARRANTY OF REPRESENTATION OF ANY KIND WHATSOEVER, EXPRESSED OR IMPLIED, EXCEPT THAT OF TITLE, AND ALL IMPLIED WARRANTIES OF MERCHANTABILITY AND FITNESS FOR A PARTICULAR PURPOSE, ARE HEREBY DISCLAIMED.

Correction by the Company of nonconformities, whether patent or latent, in the manner and for the period of time provided above, shall constitute fulfillment of all liabilities of the Company and its Distributors for such nonconformities with respect to or arising out of such Equipment.

LIMITATION OF LIABILITY

THE REMEDIES OF THE PURCHASER SET FORTH HEREIN ARE EXCLUSIVE, AND THE TOTAL LIABILITY OF THE COMPANY, ITS DISTRIBUTORS AND SUPPLIERS WITH RESPECT TO CONTRACT OR THE EQUIPMENT AND SERVICES FURNISHED, IN CONNECTION WITH THE PERFORMANCE OR BREACH THEREOF, OR FROM THE MANUFACTURE, SALE, DELIVERY, INSTALLATION, REPAIR OR TECHNICAL DIRECTION COVERED BY OR FURNISHED UNDER CONTRACT, WHETHER BASED ON CONTRACT, WARRANTY, NEGLIGENCE, INDEMNITY, STRICT LIABILITY OR OTHERWISE SHALL NOT EXCEED THE PURCHASE PRICE OF THE UNIT OF EQUIPMENT UPON WHICH SUCH LIABILITY IS BASED.

THE COMPANY, ITS DISTRIBUTORS AND ITS SUPPLIERS SHALL IN NO EVENT BE LIABLE TO THE PURCHASER, ANY SUCCESSORS IN INTEREST OR ANY BENEFICIARY OR ASSIGNEE OF THE CONTRACT FOR ANY CONSEQUENTIAL, INCIDENTAL, INDIRECT, SPECIAL OR PUNITIVE DAMAGES ARISING OUT OF THIS CONTRACT OR ANY BREACH THEREOF, OR ANY DEFECT IN, OR FAILURE OF, OR MALFUNCTION OF THE EQUIPMENT, WHETHER OR NOT BASED UPON LOSS OF USE, LOSS PROFITS OR REVENUE, INTEREST, LOST GOODWILL, WORK STOPPAGE, IMPAIRMENT OF OTHER GOODS, LOSS BY REASON OF SHUTDOWN OR NON-OPERATION, INCREASED EXPENSES OF OPERATION, COST OF PURCHASE OF REPLACEMENT POWER, OR CLAIMS OF PURCHASER OR CUSTOMERS OF PURCHASER FOR SERVICE INTERRUPTION WHETHER OR NOT SUCH LOSS OR DAMAGE IS BASED ON CONTRACT, WARRANTY, NEGLIGENCE, INDEMNITY, STRICT LIABILITY OR OTHERWISE.

Questions? Parts? Service?

1-800 AIR SERV

Visit our website:

www.air.ingersoll-rand.com

Instrucciones de instalación, operación y mantenimiento para compresores de aire estándar lubricados en dos etapas (Modelos con motor eléctrico y motor a gasolina de hasta 30 caballos de fuerza)

¡INFORMACIÓN IMPORTANTE! LEA Y SIGA ESTAS INSTRUCCIONES. GUÁRDELAS COMO REFERENCIA.

SEGURIDAD

DEFINICIONES

- △ **PELIGRO** CAUSARÁ la MUERTE, LESIONES GRAVES o graves daños a la propiedad.
- △ **ADVERTENCIA** PUEDE causar LA MUERTE, LESIONES GRAVES o graves daños a la propiedad.
- △ **PRECAUCIÓN** CAUSARÁ O PUEDE CAUSAR LESIONES MENORES o daños a la propiedad.

PRECAUCIONES GENERALES DE SEGURIDAD

- △ **PELIGRO** **AIRE DE ADMISIÓN.** Puede contener monóxido de carbono u otros contaminantes. Causará lesiones graves o la muerte. Los compresores de aire Ingersoll-Rand no están diseñados, destinados o aprobados para respirar aire. No se debe usar el aire comprimido para aplicaciones de aire respirable, a menos que se trate de acuerdo con todas las normas y reglamentos aplicables.
- △ **ADVERTENCIA** **VOLTAJE PELIGROSO.** Puede causar lesiones graves o la muerte. Desconecte la energía y purgue la presión del tanque antes de hacer mantenimiento. Bloquee/etiquete la máquina. El compresor se debe conectar a un circuito debidamente conectado a tierra. Vea las instrucciones de conexión a tierra en el manual. No opere el compresor en condiciones húmedas. Almacene en interiores.
PARTES MÓVILES. Pueden causar lesiones graves. No opere la máquina si se ha retirado el protector. La máquina puede empezar a funcionar automáticamente. Desconecte la energía ante de hacer mantenimiento. Bloquee/etiquete la máquina.
SUPERFICIES CALIENTES. Pueden causar lesiones graves. No tocar. Deje enfriar antes de hacer mantenimiento. No toque el compresor o la tubería caliente.
AIRE DE ALTA PRESIÓN. La derivación, modificación o retiro de las válvulas de seguridad/alivio puede causar lesiones graves o la muerte. No derive, modifique o retire las válvulas de seguridad/desahogo. No apunte el flujo de aire a las personas. Los tanques oxidados pueden causar una explosión y lesiones graves o la muerte. Vacíe el tanques diariamente o después cada uso. Válvula de drenaje ubicada al fondo del tanque.
- △ **PRECAUCIÓN** **RIESGO DE EXPLOSIÓN.** Utilice solamente piezas de manipulación de aire adecuadas que sean aceptables para presiones no inferiores a la presión máxima de trabajo admisible de la máquina.

INFORMACIONES GENERALES

INTRODUCCIÓN

Este manual ofrece instrucciones seguras y confiables para la instalación, operación y mantenimiento de su compresor de aire Ingersoll-Rand. Lea atentamente este manual antes de tratar de operarlo o hacer cualquier mantenimiento. Si no está seguro acerca de alguna de las instrucciones o procedimientos que aparecen en este manual, comuníquese con Ingersoll-Rand. Le recomendamos que guarde este manual y todas las publicaciones que vienen con su compresor de aire en un lugar accesible a todo el personal que opera y da servicio a su equipo compresor de aire.

APLICACIÓN

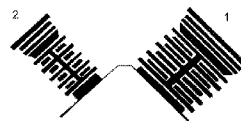
Los compresores de aire estándar lubricados de dos etapas Ingersoll-Rand son máquinas de simple efecto enfriadas por aire. Los compresores típicos se entregan como unidades compactas, autónomas, montadas en el tanque receptor, que se regulan e impulsan automáticamente por un motor eléctrico o motor a gasolina. Entre los accesorios opcionales que se pueden proveer se encuentra un posenfriador enfriado por aire, un interruptor de apagado por bajo nivel de aceite y una válvula de drenaje automático. También se dispone de bombas de compresión sin accesorios y unidades montadas en placa base.

Estos compresores se pueden usar para diversas aplicaciones de aire comprimido de hasta 250 PSIG (17,5 kg/cm²). La aplicación de estos compresores como fuente primaria o complementaria de aire es prácticamente ilimitada en plantas industriales, estaciones de servicio y talleres de auto reparación. El servicio complementario incluye usos como la provisión de aire a una presión que usualmente no se ofrece en las líneas regulares de los talleres, aire en lugares aislados y servicio de reserva de aire cuando se desconectan compresores más grandes..

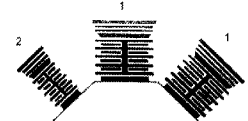
OPERACIÓN EN DOS ETAPAS

Los compresores de dos etapas constan de uno o dos cilindros de primera etapa con el mismo tamaño de diámetro interior y un cilindro de segunda etapa con un tamaño de diámetro interior más pequeño.

Unidad típica de dos etapas y dos cilindros



Unidad típica de dos etapas y tres cilindros



El principio básico de operación es el siguiente: En el recorrido de succión del o de los pistones de primera etapa, el aire a presión atmosférica entra a los cilindros a través del o de los filtros de admisión y luego a las válvulas de admisión ubicadas en la culata. En el recorrido de compresión del o de los pistones de primera etapa, el aire se comprime a una presión intermedia y se descarga a través de la o las

válvulas de descarga hacia el o los múltiples comunes. Desde el o los múltiples, el aire pasa a través de los tubos del interenfriador, donde se elimina el calor de la compresión de primera etapa. En el recorrido de succión del pistón de segunda etapa, este aire enfriado entra al cilindro de segunda etapa a través de la válvula de admisión. El recorrido de compresión del pistón de segunda etapa comprime el aire hasta la presión de descarga final y lo hace salir por la válvula de descarga hacia el tanque o sistema receptor. Si se debe enfriar el aire de descarga, se debe instalar un posenfriador enfriado por aire entre la descarga del compresor y el tanque o sistema receptor.

Para mantener la presión de aire del tanque o del sistema receptor dentro de límites predeterminados, se puede operar el compresor con un control automático de partida y parada o regulación de control de velocidad constante. El tipo de regulación que se use depende de la aplicación.

OTRAS REFERENCIAS

A menos que se indique otra cosa, las dimensiones, pesos y medidas se dan en medidas estándares de los EE.UU., seguidas entre paréntesis por la conversión al sistema métrico. Los valores de torsión dados se indican en pulgadas o pies libras, seguidos por el equivalente en Newton-metros entre paréntesis. Las características eléctricas se dan en voltaje-fase-hertzios.

RECIBO E INSPECCIÓN

Asegúrese de disponer de equipos de levantamiento adecuados para descargar y trasladar su compresor al sitio de instalación.

- NOTA** El equipo de levantamiento debe estar calibrado adecuadamente para el peso de la unidad.
- △ **PRECAUCIÓN** Levante la unidad sólo por los patines de embarque. No use el orificio de izamiento del motor para levantar toda la unidad. El orificio de izamiento del motor está destinado exclusivamente para sacar el motor desde la unidad.
- △ **¡PRECAUCIÓN!** No trabaje ni transite bajo la unidad mientras se encuentra suspendida.

Use un equipo de levantamiento adecuado (por ej., horquilla elevadora) para izar y transportar la unidad hasta el sitio de instalación. Asegúrese de que el equipo de levantamiento, correas, etc., sean capaces de soportar el peso de la unidad..



Antes de firmar el recibo de entrega, asegúrese de que no falten piezas ni hayan piezas dañadas. Si hay evidencia de daños o de que faltan piezas, haga la anotación respectiva en el recibo de entrega y luego firmelo. Comuníquese inmediatamente con el transportista para que realice una inspección.

Todo el material se debe mantener en el lugar de recepción para la inspección del transportista.

Los recibos de entrega firmados que no tienen anotación de daños o piezas faltantes se consideran como prueba de una entrega "sin problemas". Cualquier reclamo posterior se considerará como demanda por daños ocultos. Liquide cualquier demanda por daños con la empresa de transporte.

Si descubre algún daño después de recibir la unidad (daño oculto), debe notificar al transportista dentro de un plazo de 15 días después del recibo y solicitar por teléfono una inspección, con una confirmación por escrito. En las demandas por daños ocultos, la responsabilidad de establecer que la unidad se dañó durante el transporte recae en la persona que hace el reclamo.

Lea la placa de identificación del compresor para verificar que corresponde al modelo solicitado y lea la placa del motor para verificar que es compatible con sus condiciones eléctricas. Asegúrese de que las cajas y componentes eléctricos sean los adecuados para el entorno de instalación.

INSTALACIÓN

SELECCIÓN DE UNA UBICACIÓN

UNIDADES CON MOTOR ELÉCTRICO. Para la mayoría de las unidades con motor eléctrico, seleccione un área interior relativamente limpia y bien iluminada, con suficiente espacio para permitir una adecuada ventilación, flujo de aire de enfriamiento y accesibilidad. Deje 1.000 pies cúbicos de aire fresco por cada 5 caballos de fuerza. Ubique la unidad a una distancia de por lo menos 15 pulgadas (38 cm) de las paredes y asegúrese de que la alimentación principal está claramente identificada y sea accesible.

A menos que los componentes eléctricos de la unidad estén especialmente protegidos para su uso en exteriores, no instale una unidad con motor eléctrico a la intemperie ni en un área en que los componentes eléctricos queden expuestos a la lluvia, nieve o fuentes de humedad apreciables.

ADVERTENCIA PARA UNIDADES DOTADAS DE LA VÁLVULA DE DRENAJE ELÉCTRICO

- △ **ADVERTENCIA** La válvula de drenaje eléctrico posee piezas que forman arcos o producen chispas, tales como interruptores de resorte, receptáculos y otros similares, que tienden a producir arcos o chispas. Por lo tanto, cuando se ubican en un garaje, el compresor debe estar en una habitación o recinto destinado a ese propósito, o la válvula de drenaje eléctrico debe estar a 18 pulgadas (457 mm) o más por encima del piso.

UNIDADES CON MOTOR A GASOLINA. Para las unidades con motor a gasolina, mantenga el motor a una distancia mínima de 3 pies (1 m) de las paredes y otros equipos. Instale la unidad en un lugar con suficiente espacio para permitir una adecuada ventilación, flujo de aire de enfriamiento y accesibilidad. No instale ni opere una unidad con motor a gasolina en un área cerrada.

CONSIDERACIONES SOBRE LA TEMPERATURA AMBIENTE.

Las temperaturas de operación ideales fluctúan entre los 32°F y los 100°F (0°C y 37,8°C). Si las temperaturas bajan sistemáticamente a menos de 32°F (0°C), ubique el compresor dentro de un área calefaccionada. Si esto no es posible, se deben proteger las válvulas de desahogo/seguridad y de drenaje contra el congelamiento. Si las temperaturas se mantienen de manera sistemática a menos de 40°F (4,4°C), considere la instalación de un juego de calefactores de cárter externos, especialmente si el compresor tiene dificultades para partir.

- △ **PRECAUCIÓN** Nunca haga funcionar el compresor a temperaturas inferiores a -15°F (-26,1°C) o superiores a 125°F (51,0°C).

ÁREAS HÚMEDAS. En áreas frecuentemente húmedas, se puede acumular humedad en la bomba y producir sedimentos en el lubricante. Esto causará el desgaste prematuro de las piezas móviles. Es muy probable que se produzca un exceso de humedad si la unidad está ubicada en un área sin calefacción sujeta a grandes cambios de temperatura.

Dos signos de exceso de humedad son la condensación externa en la bomba cuando ésta se enfría y un aspecto "lechoso" del lubricante de petróleo.

Es posible que Ud. pueda evitar la acumulación de humedad en la bomba aumentando la ventilación, operando la máquina durante períodos más prolongados o instalando un juego de calefactores del cárter externos.

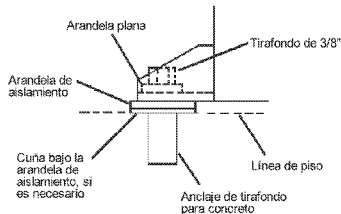
CONSIDERACIONES SOBRE EL RUIDO. Consulte a las autoridades locales sobre los niveles aceptables de ruido en su área. Para reducir el exceso de ruido, use silenciadores en la admisión o almohadillas aislantes de la vibración (**excepto en los Modelos 2000 y 2000P**), ubique la unidad en otro lugar o construya recintos totalmente cerrados o paredes acústicas.

MONTAJE

⚠ **ADVERTENCIA** Antes del montaje, retire la unidad de los patines.

UNIDADES CON MOTOR ELÉCTRICO. Emperne la unidad a una base nivelada y firme (como un piso de concreto). No apriete excesivamente las patas desniveladas a la base, ya que esto causará una excesiva tensión sobre el tanque receptor. Si es necesario, use cuñas de metal bajo las patas más cortas. **NO USE ALMOHADILLAS AISLANTES DE LA VIBRACIÓN EN LOS MODELOS 2000 Y 2000P.**

Montaje permanente típico (ferretería suministrada por el cliente)



UNIDADES CON MOTOR A GASOLINA. Emperne la unidad a una base nivelada y firme. No apriete excesivamente las patas desniveladas a la base, ya que esto causará una excesiva tensión sobre el tanque receptor. Si es necesario, use cuñas de metal bajo las patas más cortas. Las unidades con motor a gasolina montadas sobre plataformas de camión se deben fijar firmemente sin aplicar una tensión excesiva sobre el tanque receptor. Recomendamos instalar un juego aislador de vibraciones en los modelos de motor a gasolina.

INSTALACIÓN DE LA TUBERÍA DE ADMISIÓN REMOTA DE AIRE

⚠ **PRECAUCIÓN** No haga funcionar la unidad sin un filtro de entrada de aire.

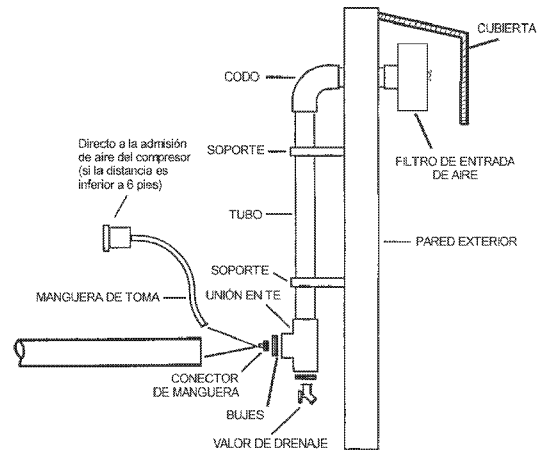
Si el aire alrededor de la unidad está relativamente libre de polvo, instale el filtro de entrada de aire en la conexión de toma de la bomba. Si el aire está sucio, conecte el filtro a una fuente de aire limpio. Use tubos plásticos de PVC para la tubería de admisión remota. No use tubos negros ni tubos galvanizados, ya que ellos fomentan la condensación y la oxidación. Considere la instalación de un filtro de tipo en línea para facilitar la limpieza y el reemplazo. Haga la línea lo más corta y directa posible y con el diámetro más grande posible o al menos superior al diámetro de la conexión de toma en la bomba. No instale tuberías con un diámetro inferior al de la toma de la bomba.

Aumente el diámetro de la tubería en un tamaño por cada 10 pies (3 m) de longitud o cada 90° de curvatura. Compruebe que la tubería está adecuadamente acodada.

Si conecta el filtro hacia el exterior, cúbralo con un sombrerete para evitar la entrada de lluvia o nieve.

Se dispone de equipos de filtración y elementos de filtro de uso intensivo para el polvo fino presente en el aire, como el polvo de roca y cemento.

Típica tubería de admisión remota de aire.



INSTALACIÓN DE TUBERÍA DE DESCARGA

⚠ **WARNING** No use tubería plástica, accesorios de cobre soldados, manguera de caucho o uniones soldadas con plomo-estaño en ninguna parte del sistema de aire comprimido.

⚠ **¡PRECAUCIÓN!** Si usa el lubricante sintético para compresores, todo el material de la tubería descendente y los componentes del sistema deben ser compatibles. Consulte la lista de compatibilidad de materiales que se indica a continuación. Si hay materiales incompatibles en su sistema o si hay materiales que no aparecen en la lista, comuníquese con Ingersoll-Rand para obtener recomendaciones..

LUBRICANTE SINTÉTICO PARA COMPRESORES LISTA DE COMPATIBILIDAD DE MATERIALES

ADECUADOS

Viton®, Teflon®, epoxia (relleno con vidrio), alquid resistente al aceite, fluorosilicona, fluorocarbono, polisulfuro, uretano de dos componentes, nilón, Delrin®, Celcon®, goma con alto contenido de nitrilo (Buna N. NBR con más de un 36% de acrilonitrilo), poliuretano, polietileno, epiclorhidrina, poliacrilato, melamina, polipropileno, fenólicos secados, epoxias, alquidos modificados
(® indica una marca registrada de DuPont Corporation)

NO RECOMENDADOS

Neoprén, goma natural, goma SBR, pintura acrílica, laca, barniz, poliestireno, PVC, ABS, policarbonatos, acetato de celulosa, goma con bajo contenido de nitrilo (BUNA N. NBR con menos de un 36% de acrilonitrilo), EPDM, acetato de vinilo etileno, látex, EPR, acrílicos, fenoxi, polisulfones, acrilonitrilo estireno (San), butilo

NOTA Todos los sistemas de aire comprimido producen líquido condensado que se acumula en todos los puntos de drenaje (por ejemplo, tanques, filtros, tubos de goteo, posenfriadores, secadores, etc.). Este líquido condensado contiene aceite lubricante y/o otras materias que pueden estar sujetos a regulaciones y se deben desechar en conformidad con las leyes y normativas locales, federales y estatales.

REQUISITOS GENERALES. Las tuberías, accesorios, tanque receptor, etc., deben ser de seguridad certificada para al menos la presión de trabajo de la unidad. Use tuberías y accesorios de cobre o hierro fundido de acero roscado o soldadura dura que tengan seguridad certificada para la presión y temperatura de descarga del compresor.. **NO USE PLÁSTICO PVC EN LA LÍNEA DE DESCARGA DE AIRE COMPRIMIDO.** Use sellante de roscas en todas las roscas y junte herméticamente las uniones para evitar fugas de aire.

TUBERÍA DE DESCARGA DE LÍQUIDO CONDENSADO. Si instala una línea de descarga de líquido condensado, la tubería debe tener ser de al menos un tamaño más grande que la conexión, debe ser tan corta y directa como sea posible y debe estar adecuadamente encaminada a un punto de drenaje o contenedor de desechos adecuado. Se debe desechar el líquido condensado en conformidad con las leyes y normativas locales, federales y estatales.

△ **ADVERTENCIA** Si se añade un posenfriador, válvula de retención, válvula de bloqueo o cualquier otra restricción a la descarga del compresor, se debe instalar una válvula de seguridad/desahogo adecuadamente dimensionada y aprobada por ASME entre la descarga del compresor y la restricción.

INSTALACIÓN DE CABLEADO ELÉCTRICO (UNIDADES CON MOTOR ELÉCTRICO)

△ **ADVERTENCIA** La instalación y el servicio eléctrico deben ser realizados por un electricista calificado que esté familiarizado con todas las leyes y normativas locales, federales y estatales aplicables.

GENERALIDADES. La capacidad nominal del motor indicada en la placa del motor y la fuente de energía deben tener características compatibles de voltaje, fase y hertzios.

DIÁMETRO DEL CABLE. El cableado eléctrico entre la fuente de energía y el motor eléctrico varía de acuerdo con los caballos de fuerza del motor y otros factores. Instale conductores de corriente del tamaño adecuado como protección contra una excesiva caída de voltaje durante la puesta en marcha. Consulte el Código Eléctrico Nacional (NEC) para obtener información sobre la selección del tamaño apropiado del cable y la fijación de las conexiones eléctricas. Si conecta otros equipos eléctricos al mismo circuito, considere la carga eléctrica total cuando seleccione el tamaño apropiado de cable. **NO USE CABLES DE DIÁMETRO INSUFICIENTE.**

Si la distancia no excede los 50 pies (15,3 m) y no se dispone de información sobre tamaños de alambres, se puede usar como guía segura los tamaños de alambres que se indican en la siguiente tabla de selección de alambres. Para distancias más largas, pida recomendaciones a un contratista eléctrico o a la compañía eléctrica local.

MOTOR HP	MONOFASICO		TRIFASICO			
	115V	230V	200V	230V	460V	575V
1	12	14	14	14	14	14
1.5	10	14	14	14	14	14
2	8	14	14	14	14	14
3	8	12	14	14	14	14
5	4	8	10	12	14	14
7.5		6	8	10	14	14
10			8	8	12	14
15			4	6	10	10
20			3	4	8	10
25			1	2	6	8
30			0	1	6	8

ARRANCADOR MAGNÉTICO. Si el motor instalado en su unidad tiene un botón de reposición del motor, éste no requiere un arrancador magnético. Si el motor no tiene ese botón y la unidad no tiene un arrancador instalado en fábrica, instale un arrancador magnético con protección térmica contra sobrecarga. Para su instalación, siga las instrucciones del fabricante. Ingersoll-Rand no se hace responsable por daños derivados de la falta de una adecuada protección del motor.

FUSIBLES. Consulte el Código Eléctrico Nacional para determinar la capacidad nominal adecuada de los fusibles e interruptores automáticos que se requieren. Al seleccionar los fusibles, recuerde que la corriente de arranque momentánea de un motor eléctrico es mayor que su

corriente a plena carga. Se recomiendan fusibles temporizados o de acción retardada.

DISYUNTOR AUTOMÁTICO. En las unidades sin disyuntor automático instalado en fábrica, conecte el disyuntor automático según el esquema de instalación eléctrica pertinente en la sección DIAGRAMAS de este manual. Monte el disyuntor automático según recomendaciones del fabricante. La línea de conexión al tanque receptor debe ser tan corta y directa como sea posible y su seguridad debe estar certificada para al menos la presión de trabajo máxima de la unidad.

CONEXIÓN DE UNA BATERÍA (UNIDADES CON MOTOR A GASOLINA)

NOTA

Si usted va a hacer conexiones a una batería remota, el motor en la unidad compresora debe estar dotado de un alternador.

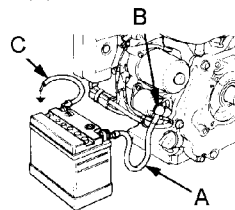
BATERÍA. Una batería de 12 voltios con una potencia nominal mínima de 250 CCA (amperios de arranque en frío) y una potencia nominal mínima de amperios-hora de 24 Ah debería ser suficiente para arrancar la mayoría de los motores de arranque eléctrico.

CABLES DE LA BATERÍA. Para obtener recomendaciones sobre longitud y tamaño, consulte la siguiente tabla.

Tamaño de cable (DIÁ)	Longitud máxima
6	5' (1,5 m.)
4	7'-2,5" (2,1 m.)
2	12' (3,6 m.)

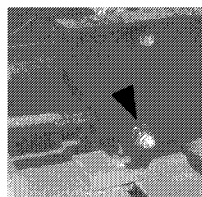
PROCEDIMIENTOS DE CONEXIÓN:

1. Conecte el cable positivo (+) de la batería (A) al terminal solenoide del arrancador (B).

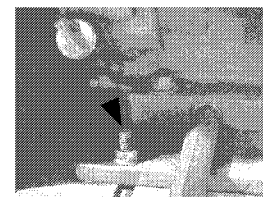


2. Conecte el cable negativo (-) de la batería (C) al perno que se muestra en la siguiente ilustración. Fije el cable en su sitio atornillando una tuerca de tamaño adecuado en el perno y en el terminal.

Kohler



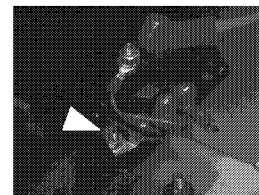
Honda



Kawasaki



Ingersoll-Rand



3. Conecte el cable positivo (+) de la batería (A) al terminal positivo (+) de la batería.
4. Conecte el cable negativo (-) de la batería al terminal negativo (-) de la batería.
5. Cubra los terminales y extremos de cables con grasa preventiva de la corrosión.

⚠ **ADVERTENCIA** Antes de hacer mantenimiento, retire el cable del lado negativo (-) de la batería.

Para más información, consulte las instrucciones del fabricante del motor.

INSTALACIÓN DE LA BOMBA DE COMBUSTIBLE (UNIDADES CON MOTOR A GASOLINA)

Algunos motores usan una bomba de combustible opcional para suministrar directamente gasolina al motor desde el sistema de combustible a bordo de un vehículo. Instale la bomba de combustible dentro de una distancia de 12 pulgadas (30 cm) de la superficie inferior del tanque de combustible del vehículo. Proteja la bomba de la contaminación instalando una válvula de aislamiento de combustible y un filtro en línea entre el sistema de combustible de la bomba.

LUBRICACIÓN DEL COMPRESOR

⚠ **PRECAUCIÓN** No haga funcionar el compresor sin lubricante o con un lubricante inadecuado. Ingersoll-Rand no se hace responsable en caso de fallas del compresor causadas por una lubricación inadecuada.

LUBRICANTE SINTÉTICO PARA COMPRESORES. Ingersoll-Rand recomienda el lubricante sintético All Season T30 Select desde la puesta en marcha. Consulte la sección GARANTÍA para obtener información respecto a la garantía ampliada.

OTROS LUBRICANTES. Puede usar XL-300 o un lubricante basado en petróleo comparable que sea de primera calidad, que no contenga detergentes, que contenga sólo agentes anticorrosivos, antioxidantes y antiespumantes como aditivos, con un punto de inflamación de 440°F (227°C) o superior y una temperatura de ignición de 650°F (343°C) o superior.

Consulte la tabla de viscosidad de lubricantes de petróleo a continuación. La tabla pretende servir sólo como guía general. Las condiciones de operación de uso intensivo requieren una mayor viscosidad. Consulte a Ingersoll-Rand para obtener recomendaciones sobre sus condiciones de operación específicas.

Temperatura alrededor del compresor		Viscosidad a 100°F (37,8°C)		Grado de viscosidad	
°F	°C	SUS	Centistokes	ISO	SAE
< 40	< 4,4	150	32	32	10
40-80	4,4-26,7	500	110	100	30
80-125*	26,7-51,0*	750	165	150	40

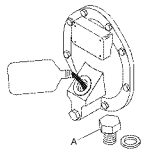
* = Para los Modelos 2000 y 2000P, use Ingersoll-Rand XL-740HT Compressor Oil para temperaturas más de 100°F (37,7°C).

Si usted usa un lubricante en base a petróleo para compresores durante la puesta en marcha y posteriormente decide cambiar a All Season T30 Select, se debe descarboxilar y lavar la bomba antes de la conversión. Comuníquese con Ingersoll-Rand para más información.

PROCEDIMIENTOS DE LLENADO:

1. Destornille y saque el tapón de llenado de aceite (A).
2. Llène el cárter con lubricante.
3. Vuelva a poner el tapón del aceite y APRIETE ÚNICAMENTE A MANO.

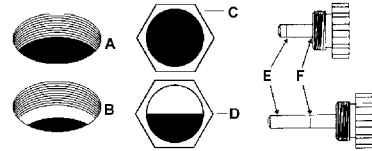
⚠ **PRECAUCIÓN** No retire el tapón de llenado de aceite mientras el compresor esté funcionando.



Con respecto a la capacidad del cárter, consulte la siguiente tabla.

Modelo	Capacidad de cárter
2340	28 oz. (827 ml.)
2475	41 oz. (1212 ml.)
2545	73 oz. (2158 ml.)
7100	80 oz. (2365 ml.)
15T, 2000, 2000P	144 oz. (4258 ml.)

Use uno de los siguientes métodos ilustrados para determinar cuando el cárter está lleno.



A = Nivel FULL (lleno) en la rosca inferior del orificio de llenado de aceite en las unidades sin visor o sin indicador del nivel de aceite.

B = Nivel ADD (agregar) debajo de la rosca inferior del orificio de llenado de aceite en las unidades sin visor o sin indicador del nivel de aceite.

C = Nivel FULL en las unidades con visor.

D = Nivel ADD en las unidades con visor.

E = Nivel ADD en las unidades con indicador del nivel de aceite.

F = Nivel FULL en las unidades con indicador del nivel de aceite.

INTERRUPTOR DE BAJO NIVEL DE ACEITE

Se puede instalar un interruptor de bajo nivel de aceite activado por flotación, para proteger la unidad contra daños debido a un nivel insuficiente de aceite del compresor. Un nivel bajo de aceite en el cárter del compresor hace que los contactos del interruptor se abran, apagando la unidad hasta que se haya restaurado el nivel apropiado de aceite.

La protección apropiada contra un bajo nivel de aceite depende del ajuste apropiado del interruptor de bajo nivel de aceite. Durante la marcha inicial, detenga la unidad y vacíe un cuarto del aceite desde el cárter del compresor en un recipiente limpio adecuado. Escuche cómo el interruptor hace clic o revise el interruptor con un probador de continuidad.

A veces el flotador se activa o atasca durante el traslado. Si el flotador está activado o atasgado, abra el interruptor de desconexión, vacíe el aceite restante, retire la cubierta del cárter y luego libere el flotador. Rearme y vuelva a usar el mismo aceite.

NOTA Si el flotador está activo en la posición baja, la unidad no podrá arrancar.

OPERACIÓN

FÓRMULA DE USO INTERMITENTE

Los modelos que operan a más de 200 PSIG se deben operar según la "Fórmula de uso intermitente".

FÓRMULA DE USO INTERMITENTE

El tiempo de bombeo normalmente no debe ser superior a treinta (30) minutos ni inferior a diez (10) minutos. Los periodos de apagado entre ciclos de operación deben ser por lo menos iguales al tiempo de bombeo. **NOTA** Cuando el compresor se regula por medio de un control de velocidad constante, el periodo de apagado es el tiempo que el compresor opera sin carga.

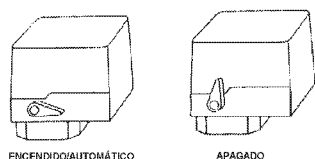
Se recomienda un límite de tiempo de bombeo con el siguiente período de enfriamiento para proteger las válvulas y las culatas contra altas temperaturas estables de operación, que pueden acumular rápidamente carbón en estas áreas.

Todas las consultas sobre la aplicación del compresor a alta presión donde el ciclo de "uso" difiera de la "Fórmula de uso intermitente" se deben referir a Ingersoll-Rand.

ARRANQUE (MODELOS DE MOTOR DE ACCIONAMIENTO ELÉCTRICO)

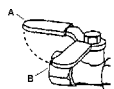
1. Cierre la válvula de servicio.
2. Deje escapar la presión que quede en el tanque, abriendo lentamente la válvula de drenaje manual.
3. Cierre la válvula de drenaje manual y aplique corriente al compresor. Si el disyuntor automático posee una palanca "ON/AUTO-OFF", lleve el interruptor a la posición "ON/AUTO". Si la unidad posee un interruptor "ON/OFF" en el panel de control, lleve el interruptor a la posición "ON".

Típica palanca del disyuntor automático (si lo hay)



4. Abra lentamente la válvula de servicio.

Típica válvula de servicio (A = abierta, B = cerrada)



PRECAUCIÓN Cualquier ruido o vibración poco comunes indican que hay un problema. No continúe con la operación hasta después de identificar y solucionar la causa del problema.

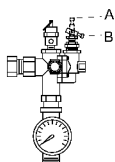
NOTA Compruebe que el sentido de rotación es correcto según la flecha del motor. Si la rotación es incorrecta en las unidades trifásicas, intercambie dos de los tres conductores.

ARRANQUE (UNIDADES CON MOTOR A GASOLINA)

ADVERTENCIA No opere las unidades con motor a gasolina en un área cerrada.

1. Deje escapar la presión que quede en el tanque, abriendo lentamente la válvula de drenaje manual.
2. Active el abastecimiento de gasolina del motor.
3. Ponga el estrangulador en la posición "on".
4. Cierre la válvula de servicio y ponga la palanca del descargador en la posición de "descarga" (A) para los modelos con motores Kawasaki y Honda e Ingersoll-Rand, o en la posición "carga" (B) para los modelos con motor Kohler.
5. Arranque el motor, suelte el estrangulador y deje que el motor se caliente durante dos a tres minutos.
6. Devuelva la palanca del descargador a la posición "carga" (B) en los modelos con motores Kawasaki y Honda e Ingersoll-Rand.

Típico descargador (A = descarga, B = carga)



NOTA Corte el suministro de gasolina cuando no esté usando el compresor.

NOTA

Algunos compresores impulsados por motores a gasolina requieren 5-8 horas de operación de rodaje antes de alcanzar su plena capacidad y velocidad.

CONTROLES DEL COMPRESOR

CONTROL AUTOMÁTICO DE ARRANQUE Y PARADA. Este tipo de control se aplica a los modelos accionados por motor eléctrico de menos de 10 caballos de fuerza.

NOTA

El control automático de arranque y parada está destinado al uso de motores que no arrancan más de 6 veces por hora.

Cuando la presión del tanque receptor alcanza la presión máxima preestablecida en fábrica (comúnmente 175 PSIG), el disyuntor automático detiene la unidad. Cuando la presión del tanque receptor baja a menos del mínimo preestablecido en la fábrica, el disyuntor automático se repone en cero y rearranca la unidad.

CONTROL DE VELOCIDAD CONSTANTE. Este tipo de control se aplica a las unidades con motor a gasolina.

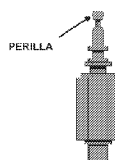
Cuando la presión del tanque receptor alcanza la presión máxima preestablecida en fábrica (comúnmente 175 PSIG), el descargador disminuye la velocidad del motor y la unidad deja de bombear. Cuando la presión del tanque receptor baja a menos del mínimo preestablecido en la fábrica (comúnmente 145 PSIG), el descargador se restablece, el motor vuelve a velocidad plena y la unidad reinicia el bombeo.

CONTROL DOBLE. Este tipo de control se aplica a las unidades con motor eléctrico de más de 10 caballos de fuerza. Seleccione ya sea control automático de arranque y parada o control de velocidad constante ajustando la perilla de la válvula auxiliar. Para el control automático de arranque y parada, gire la perilla de la válvula auxiliar totalmente a la derecha para desactivar la válvula auxiliar. Entonces, el disyuntor automático arrancará y detendrá la unidad.

NOTA

Para los modelos de control doble, se prefiere el arranque y parada automáticos.

Válvula auxiliar



HACIA LA DERECHA
HACIA LA IZQUIERDA

CONTROLES DE AJUSTE. Todos los disyuntores automáticos tienen un control de ajuste de gama (A). Algunos disyuntores automáticos también tienen un control de ajuste diferencial (B). En los disyuntores sin control de ajuste diferencial, el tramo entre los interruptores de niveles de presión de conexión y desconexión se establece en fábrica a 40 ± 4 PSIG y no se puede ajustar.

NOTA

Algunos disyuntores automáticos están equipados con una palanca de encendido y apagado que se usa para abrir y cerrar los contactos eléctricos dentro del interruptor. ESTA PALANCA NO ES UN CONTROL DE AJUSTE DIFERENCIAL. Los disyuntores automáticos con palanca de encendido y apagado no tienen un control de ajuste diferencial.

PROCEDIMIENTOS DE AJUSTE (DISYUNTORES SIN CONTROL DE AJUSTE DIFERENCIAL):

1. Retire la cubierta del disyuntor automático.
2. Ajuste la escala girando el tornillo de ajuste de escala a la derecha (hacia adentro) para aumentar el punto de desconexión o a la izquierda (hacia afuera) para reducir el punto de desconexión.

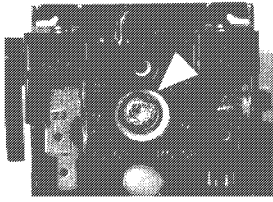
NOTA

Un giro completo cambia el ajuste aproximadamente en 2 PSIG.

3. Vuelva a colocar la cubierta, reconecte la fuente de alimentación y arranque el compresor.

- Fíjese en la lectura del manómetro a la que se desconecta el compresor.
- Si es necesario, repita el procedimiento de ajuste.

Ajuste del rango del disyuntor neumático.



PROCEDIMIENTOS DE AJUSTE (DISYUNTORES CON CONTROL DE AJUSTE DIFERENCIAL):

- Retire la cubierta del disyuntor automático.
- Ajuste la presión de conexión con la tuerca de ajuste de escala. Gire la tuerca a la derecha (hacia adentro) para aumentar la presión o a la izquierda (hacia afuera) para reducir la presión.

NOTA Un giro completo cambia el ajuste en aproximadamente 2 PSIG.

- Ajuste la presión de desconexión con el ajuste diferencial. Gire la tuerca de ajuste diferencial a la derecha (hacia adentro) para aumentar la presión o a la izquierda (hacia afuera) para reducir la presión.

NOTA Un giro completo cambia el ajuste en aproximadamente 2 PSIG.

- Vuelva a colocar la cubierta, reconecte la fuente de alimentación y arranque la unidad.
- Fíjese en la lectura del manómetro a la que se desconecta la unidad.
- Si es necesario, repita el procedimiento de ajuste.

El diferencial mínimo posible es de aproximadamente un 20% de la presión de desconexión. Es aconsejable tener un diferencial lo más amplio posible para evitar frecuentes arranques y detenciones de la unidad. Fíjese en la lectura del manómetro a la que se desconecta la unidad y restablezca este punto si es necesario.

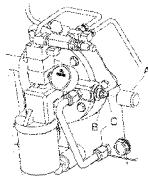
Observe la interacción entre los ajustes de escala y diferencial, esto es, si se aumenta la desconexión, el diferencial también aumentará, o si se estrecha el diferencial, se reducirá la desconexión, etc. Estos factores se deben tener en cuenta cuando se ajusta el interruptor y se deben hacer las correspondientes compensaciones.

AJUSTE DE LA PRESIÓN DEL ACEITE (MODELO 2000P)

Para compresores lubricados a presión, se debe revisar la presión del aceite al momento del arranque, observando el indicador de presión de aceite. El rango de operación aceptable es de 15-40 psig. Es normal que la presión de aceite varíe ligeramente con la temperatura del aceite. Los compresores dotados de un sistema de apagado opcional por baja presión de aceite se apagan automáticamente si la presión del aceite desciende por debajo de los 10 psig.

La bomba de aceite posee un regulador ajustable de presión que se puede restablecer si las condiciones así lo exigen. Consulte la siguiente ilustración e instrucciones:

- Use una llave inglesa graduable para retirar la cubierta estriada de la válvula del lado derecho de la caja de la bomba de aceite (A).
- Afije la tuerca de retención (B) con un llave de torsión de 7/16" de modo que la varilla roscada (C) pueda girar libremente.
- Usando una llave hexagonal de 1/8", ajuste la varilla roscada según desee. Al girar la varilla hacia la derecha aumentará el ajuste de presión de aceite; al girarla hacia la izquierda, disminuirá la presión de aceite.
- Cuando haya ajustado la presión de aceite, apriete la tuerca de retención y vuelva a colocar la cubierta estriada.



SISTEMA DE DESCARGA EN EL ARRANQUE

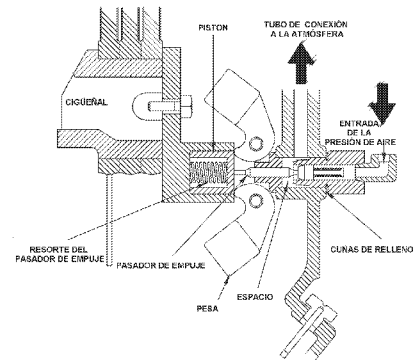
En determinados modelos existe la función de descarga en el arranque. El propósito de este sistema es aliviar la presión de los cilindros cuando la unidad se detiene, permitiendo que arranque con una carga ligera. Una carga ligera aumenta la vida del controlador y las correas y además reduce la posibilidad de que se gatille el relé de sobrecarga. El sistema opera de la siguiente manera:

El descargador centrífugo se conecta junto al extremo del cigüeñal, como se muestra en las siguientes ilustraciones.

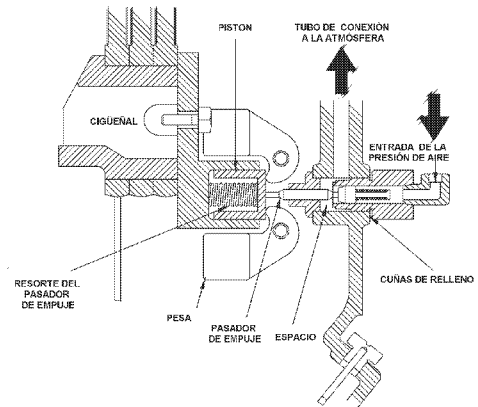
Cuando la unidad arranca, la fuerza centrífuga actúa sobre las pesas del descargador y éstas giran hacia afuera. Esto permite que el pasador de empuje y el pistón se muevan hacia adentro y que la válvula piloto se cierre. La trayectoria de escape a la atmósfera para la presión del cilindro ahora está cerrada y el compresor bombea aire de una manera normal.

Cuando la unidad se detiene, las pesas se retraen, permitiendo que el resorte del pasador de empuje mueva hacia afuera el pistón y el pasador de empuje. El pasador de empuje abre la válvula piloto y la presión del aire atrapado escapa del cilindro e del interenfriador a través de un pasaje en la cubierta del extremo del armazón, a través del tubo del descargador y a la atmósfera a través del silenciador/filtro de entrada.

Posición de la pesa y pasador cuando la unidad está en funcionamiento.



Posición de la pesa y pasador de empuje cuando se detiene la unidad.

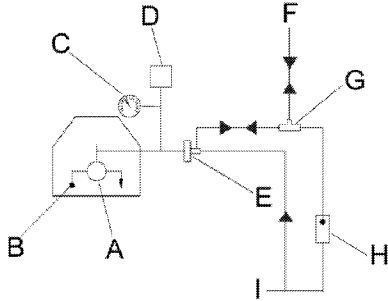


ARRANQUE DEL SISTEMA DE DESCARGA (MODELOS DE LUBRICADO A PRESIÓN)

Los compresores lubricados a presión usan un sistema hidráulico de descarga para proporcionar un arranque sin carga. Además, este sistema ofrece una descarga de emergencia si se pierde la presión del aceite durante la operación del compresor.

Cuando se pierde la presión del aceite, el circuito del descargador hidráulico deja fuera de circuito la válvula auxiliar (H), para dirigir el aire de control a los descargadores del cabezal. Este circuito está controlado por la válvula del descargador hidráulico (E), una válvula normalmente abierta que se cierra cuando sube la presión del aceite. Durante la operación del compresor, la presión del aceite mantiene cerrada la válvula del descargador hidráulico. La acción del descargador del cabezal está controlada por la válvula auxiliar.

Cuando se pierde la presión del aceite, ya sea debido al apagado del compresor o a un problema de lubricación durante la operación del compresor, el descargador hidráulico se abre, accionando los descargadores del cabezal (F). Esta acción o ventila el compresor de apagado en preparación para el siguiente arranque o libera la carga de compresión para minimizar los daños si se pierde presión de aceite mientras el compresor está funcionando.



A = Bomba de aceite

B = Filtro de aceite

C = Manómetro de aceite

D = Presostato de aceite

E = Válvula de descarga hidráulica

F = Descargadores de cabeza

G = Válvula de doble efecto

H = Válvula auxiliar

I = Receptor

AJUSTE DE LA VÁLVULA PILOTO

Si la línea del tubo de la válvula piloto está excesivamente caliente, es una buena indicación de que la válvula piloto tiene fugas y requiere un ajuste.

Para ajustar la válvula piloto, proceda como se indica a continuación:

1. Detenga la unidad y desconecte y etiquete el suministro eléctrico principal para evitar un arranque accidental.
2. Retire el tubo de la válvula piloto y los accesorios del tubo.
3. Retire el cuerpo de la válvula piloto y todos los suplementos de ajuste existentes.
4. Vuelva a atornillar el cuerpo de la válvula piloto en la cubierta del extremo de la armazón (sin suplementos de ajuste), hasta que sienta el contacto con el pasador de empuje. Avance el cuerpo de la válvula piloto en 1/4 a 1/2 vuelta más.

Si no siente el contacto con el pasador de empuje, pueden ser necesarios los siguientes pasos para localizar el punto de contacto:

1. Inserte un instrumento pequeño (punzón, varilla, clavo, etc.) en el extremo de la válvula piloto hasta que toque el vástago de válvula.
2. Mientras aún está insertado en la válvula piloto, haga una marca en el instrumento a nivel con el borde externo del cuerpo de la válvula piloto.
3. Manteniendo el instrumento ligeramente oprimido contra el vástago de la válvula, atornille el cuerpo de la válvula piloto en la cubierta del extremo de la armazón. Cuando la marca en el instrumento comience a salir del borde del cuerpo de la válvula piloto, habrá hecho contacto con el pasador de empuje.
4. Avance el cuerpo de la válvula piloto 1/4 a 1/2 vuelta más y continúe con el paso cinco.
5. Mida el espacio entre el cuerpo de la válvula piloto y la cubierta del extremo de la armazón.
6. Retire el cuerpo de la válvula piloto y agregue suficientes suplementos de ajuste para llenar el espacio medido en el paso cinco.
7. Vuelva a atornillar el cuerpo de la válvula piloto en la cubierta del extremo de la armazón, hasta que el cuerpo quede apretado sobre los suplementos de ajuste.
8. Vuelva a conectar el tubo de la válvula piloto y los accesorios del tubo.

DESVÍO DEL RESPIRADERO/DESCARGADOR

Las líneas de los tubos de desvío del respiradero/descargador eliminan la acumulación de presión de aire en la armazón del compresor,

proporcionando un conducto para que escape el aire a través del descargador de admisión (si está abierto) o (si está cerrado) a través de la válvula de retención, pasando por alto de esta manera el descargador de admisión y escapando a la atmósfera a través del filtro de entrada/silenciador.

COMPROBACIÓN DEL CONSUMO DE ACEITE

Una regla empírica para determinar un "grado de aprobado" para el consumo de aceite es considerar como aceptable un consumo de 50 caballos de fuerza-horas o más por onza.

La fórmula es la siguiente:

$$\frac{\text{Caballos de fuerza} \times \text{Horas de operación}}{\text{Onzas de aceite utilizadas}} = \text{Horas de caballos de fuerza por onza}$$

Para aplicar esta fórmula, considere el tamaño de la máquina. En el ejemplo siguiente, un compresor de 5 caballos de fuerza usa 2 onzas de aceite cada 20 horas de operación.

$$\frac{5 \text{ caballos de fuerza} \times 20 \text{ horas de operación}}{2 \text{ onzas de aceite utilizadas}} = 50 \text{ horas de caballos de fuerza por onza}$$

El compresor del ejemplo pasa la prueba de consumo de aceite.

NOTA

Las bombas de compresor nuevas o reacondicionadas descargarán cantidades de aceite más altas que lo normal hasta que se asienten los anillos del pistón (aproximadamente 100 horas de operación).

MANTENIMIENTO

⚠ ADVERTENCIA Antes de realizar el mantenimiento, suelte la presión de aire del sistema y desconecte, bloquee y etiquete el suministro de alimentación principal o desconecte el cable de la bujía del motor.

NOTA

Todos los sistemas de aire comprimido contienen componentes sujetos a mantenimiento (por ejemplo, aceite lubricante, filtros, separadores) que se deben reemplazar periódicamente. Estos componentes usados pueden o no contener sustancias sujetas a regulación y se deben desechar en conformidad con las leyes y normativas locales, federales y estatales.

NOTA

Tome nota de las posiciones y ubicaciones de las piezas durante el desmontaje para facilitar el reensamblaje. Las secuencias del montaje y las piezas ilustradas pueden diferir para su unidad particular.

NOTA

Cualquier operación de servicio que no se incluya en esta sección debe ser ejecutada por un representante autorizado.

NOTA

Para obtener información sobre cuidado del motor, consulte el manual del propietario del motor.

NOTA

El siguiente calendario de mantenimiento rige en aplicaciones normales. Es necesario acortar los intervalos de mantenimiento en ambientes más extremos.

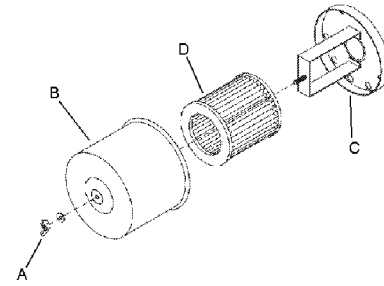
CALENDARIO DE MANTENIMIENTO

Diariamente o antes de cada operación	<ul style="list-style-type: none"> ● Verifique que hay escapes de aceite. ● Revise el nivel del lubricante. Rellene según sea necesario. ● Vacíe el condensado del tanque receptor (si no hay un dispositivo de drenaje automático). Abra la válvula de drenaje manual, recoja y disponga del líquido condensado según corresponda. ● Verifique si hay vibraciones y ruidos inusuales. ● Asegúrese de que las guardabandas y las cubiertas estén bien sujetas en su lugar. ● Compruebe que el motor (si lo hay) esté lleno de combustible y lubricante según las recomendaciones del fabricante. ● Compruebe que el área alrededor del compresor esté libre de trapos, herramientas, escombros y materiales inflamables o explosivos. ● En los modelos lubricados a presión, revise la presión de aceite del sistema cuando el compresor esté caliente.
Semanalmente	<ul style="list-style-type: none"> ● Observe la operación de las válvulas de seguridad/desahogo mientras el compresor está funcionando. Reemplace las válvulas de seguridad/desahogo que no funcionen libremente. ● Revise el apriete de los elementos de filtro de aire. Limpie si es necesaria.
Mensualmente	<ul style="list-style-type: none"> ● Verifique si hay fugas de aire. Ponga agua jabonosa alrededor de las juntas mientras el compresor está funcionando y observe si se producen burbujas. ● Revise el apriete de los tornillos y pernos. Vuelva a apretar si es necesario. ● Revise las correas de transmisión. Ajuste si es necesario. ● Limpie el exterior.
3/500 *	<ul style="list-style-type: none"> ● Cambie el lubricante de petróleo mientras el cárter esté tibio. ● Vacíe el aceite del compresor y limpie el visor del aceite
6/1000 *	<ul style="list-style-type: none"> ● En los modelos lubricados a presión, reemplace el depurador de aceite y cambie el lubricante (si es necesario).
12/2000 *	<ul style="list-style-type: none"> ● Instale el paquete de mantenimiento — o — ● Cambie el lubricante sintético mientras el cárter esté tibio. ● Reemplace el elemento de filtro.

* indica meses/horas de operación, lo que ocurra primero.

INSPECCIÓN Y LIMPIEZA DEL FILTRO

1. Destornille y saque la tuerca mariposa (A) que fija la caja del filtro (B) a su base (C).
2. Saque la caja del filtro y retire el elemento de filtro antiguo (D). Limpie el elemento con un chorro de aire o un aspirador.
3. Reinstale el elemento de filtro y la caja apretando la tuerca mariposa.



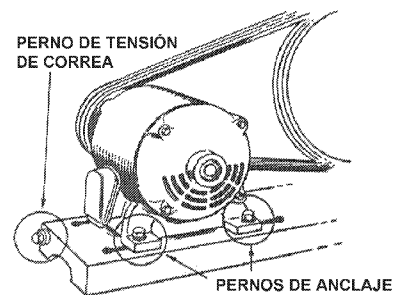
CAMBIO DE ACEITE

1. Saque el tapón de drenaje de aceite (A) y deje que el lubricante se vacíe en un contenedor adecuado.
2. Vuelva a poner el tapón de drenaje de aceite.
3. Siga los procedimientos de llenado de la sección OPERACIÓN.

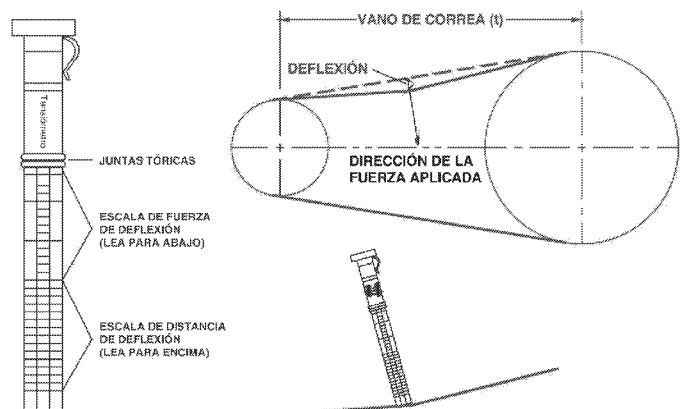
AJUSTE DE LA CORREA

COMPROBACIÓN DE LA TENSION DE LA CORREA. Compruebe ocasionalmente la tensión de la correa, especialmente si sospecha aflojamiento. Las correas nuevas también se deben tensar adecuadamente en el momento de su instalación.

TENSADO DE CORREAS. Se puede lograr el tensado de la correa aflojando los tornillos de anclaje del motor, alejando el motor de la bomba y volviendo a apretar los tornillos de anclaje del motor. Algunas unidades están provistas de un perno de tensado de correa que, cuando se gira, aleja el motor de la bomba. Si no lo tienen, el motor se puede mover fácilmente colocando bajo él una herramienta a modo de palanca. También puede ser útil un separador disponible en el comercio u otro aparato para tensar correas.



Siga los procedimientos que se indican más abajo para ajustar y medir correctamente la tensión de la correa en los modelos con motor eléctrico y motor a gasolina como el 2340, 2475 y 2545 (sólo con el tipo de correa "A"). Para una representación visual, consulte la siguiente ilustración.



1. Apoye un borde recto en la superficie exterior superior de la transmisión de la correa, desde la polea a la roldana.

- Al centro del tramo, en forma perpendicular a la correa, aplique presión a la superficie exterior de la correa con un medidor de tensión. Fuerce la correa a la flexión indicada en la TABLA DE TENSIÓN DE CORREA en la sección DIAGRAMAS Y TABLAS. Compare la lectura del medidor de tensión con la tabla.

Siga los procedimientos descritos más abajo para ajustar y medir correctamente la tensión en los modelos de 7,5 a 30 caballos de fuerza 2545, 7100, 15T y 2000 con tipos de correa "B" y "C".

- Mida la longitud del tramo (t) de la transmisión.
- Determine la cantidad de flexión (en pulgadas) que se requiere para medir la fuerza de flexión (en libras) multiplicando la longitud del tramo (t) por 1/64. Por ejemplo, una longitud de tramo de 32" multiplicada por 1/64 equivale a 1/2" de flexión necesaria para medir la fuerza de la flexión.
- Apoye un borde recto en la superficie exterior superior de la transmisión de la correa, desde la polea a la roldana.
- Al centro del tramo, en forma perpendicular a la correa, aplique presión a la superficie exterior de la correa con un medidor de tensión. Fuerce la correa a la flexión predeterminada que se calculó en el paso 2. Compare la lectura del indicador de tensión con la TABLA DE TENSIÓN DE CORREA en la sección DIAGRAMAS Y TABLAS.

Antes de volver a poner en marcha el compresor, compruebe que la polea y la roldana estén adecuadamente alineadas y que los tornillos de anclaje del motor se vuelvan a apretar adecuadamente.

△ PRECAUCIÓN Una alineación de la polea y la roldana y tensión de la correa inadecuadas pueden generar una

sobrecarga del motor, un exceso de vibración y la falla prematura de la correa y/o el rodamiento.

Para evitar estos problemas, compruebe que la polea y la roldana estén alineadas y que la tensión de la correa sea satisfactoria después de instalar correas nuevas o de tensar correas existentes.

INSPECCIÓN DEL TANQUE RECEPTOR

La vida útil de un tanque receptor de aire depende de varios factores, incluyendo, entre otras cosas, condiciones operativas, ambientales y nivel de mantenimiento. El efecto preciso de estos factores sobre la vida útil del tanque es difícil de predecir; por lo tanto, Ingersoll-Rand le recomienda programar una inspección certificada del tanque durante los primeros cinco años de uso del compresor. Para concertar una inspección de tanque, comuníquese con Ingersoll-Rand.

Si el tanque no se ha inspeccionado dentro de los primeros 10 años de uso del compresor, el receptor se debe dejar fuera de servicio hasta que haya pasado la inspección. Los tanques que no cumplen con los requisitos deben ser reemplazados.

△ ADVERTENCIA Si no se reemplaza un tanque receptor de aire oxidado, el resultado puede ser la ruptura o explosión de dicho tanque, lo que podría provocar importantes daños a la propiedad y graves lesiones a las personas o incluso la muerte. Nunca modifique ni repare el tanque. Consiga su reemplazo en el centro de servicio técnico.

LOCALIZACIÓN DE FALLAS

PROBLEMA	PUNTO DE COMPROBACIÓN
Desgaste anormal del cilindro, anillo o pistón	4, 8, 9, 19, 28, 35
La entrega de aire disminuye	1, 6, 15, 16, 18, 19, 29
La válvula de drenaje automática presenta filtraciones o no drena automáticamente	16
La válvula auxiliar tintinea o tiene filtraciones alrededor del vástago	23, 24
Tubos rotos en el interenfriador o posenfriador	36
El compresor no llega a la velocidad deseada	2, 6, 12, 15, 21
El compresor tarda en llegar a la velocidad deseada	26, 27, 33, 34
El compresor se calienta demasiado durante el funcionamiento	3, 14, 15, 22
El compresor no ejecuta el ciclo de descarga	23, 24, 26
El compresor no descarga cuando se detiene	26, 33
Ruido excesivo durante la operación	2, 6, 15, 16, 21, 27, 32
Demasiadas partidas y paradas	5, 11, 16, 32, 40
Golpea o tintinea	2, 15, 17, 19, 20, 21
Las luces destellean o se atenúan durante la operación	12, 13
Humedad en el cárter o apariencia "lechosa" en el lubricante de petróleo o herrumbre en los cilindros	9, 10
La sobrecarga del motor produce una desconexión o un consumo excesivo de corriente	5, 6, 12, 13, 14, 15, 16, 19, 20, 21, 34
Aceite en la descarga de aire (bombeo de aceite)	4, 7, 9, 18, 19, 25, 35
Escape de aceite del retén del eje	25
La válvula de seguridad/descarga "salta"	1, 5, 29, 30
Alta presión entre etapas	30
Baja presión entre etapas	31
La máquina chirría o no arranca	6, 14, 37, 38
El motor no arranca	12
La máquina no arranca	39
Escapes de aceite	41
Presión baja de aceite	42, 43, 44, 46
Fluctuaciones excesivas de la presión de aceite (> 5 psi)	42, 43, 44, 45, 46

PUNTO COMP.	POSIBLE CAUSA	POSIBLE SOLUCIÓN
1	Entrada y/o filtro del tubo de descarga sucios o atascados.	Limpie o reemplace.
2	Rueda de banda o polea del motor sueltas, juego excesivo en el eje del motor o bandas de transmisión sueltas.	Revise la tensión y alineación de la rueda de banda, polea del motor, cigüeñal y banda de transmisión. Repare o reemplace según sea necesario.
3	Ventilación inadecuada alrededor de la rueda de banda.	Ubique el compresor en una posición con mejor ventilación.
4	Lubricante poco viscoso.	Vacíe el lubricante existente y vuelva a llenar con uno adecuado.
5	Filtraciones de aire en la tubería de descarga de aire.	Revise la tubería y las conexiones. Apriete las uniones o reemplácelas según sea necesario.
6	Lubricante demasiado viscoso.	Vacíe el lubricante existente y vuelva a llenar con uno adecuado.
7	Exceso de lubricante.	Vacíe el exceso de lubricante.
8	Muy poco lubricante.	Agregue lubricante al cárter hasta el nivel adecuado.
9	Se está usando lubricante tipo detergente.	Vacíe el lubricante y vuelva a llenar con uno adecuado.
10	Ciclos de operación extremadamente cortos. Compresor ubicado en un área húmeda o mojada.	Opere el compresor con ciclos de operación más largos. Cambie de lugar el compresor o instale un juego de calefactores de cárter.
11	Diferencial del interruptor de presión demasiado estrecho.	Si cuenta con ajuste de diferencial, ajuste el interruptor de presión para aumentar el diferencial. Si desea ajuste de diferencial, instale un interruptor de presión con función de ajuste de diferencial.
12	Voltaje de línea incorrecto. Panel de servicio eléctrico o cableado demasiado pequeño. Contacto deficiente en los terminales del motor o conexiones del arrancador. Calefactores incorrectos de sobrecarga del arrancador.	Revise el voltaje de línea y mejore las líneas según necesario. Comuníquese con un electricista. Instale una caja de servicio o cableado de tamaño correcto. Comuníquese con un electricista. Asegure un buen contacto de los terminales del motor o conexiones del arrancador. Instale calefactores correctos de sobrecarga del arrancador. Comuníquese con un electricista.
13	Deficiente regulación de la potencia (línea desequilibrada).	Comuníquese con la compañía eléctrica.
14	Bandas de transmisión muy apretadas o mal alineadas.	Ajuste las bandas a la tensión y alineación adecuadas.
15	Compresor valves leaky, broken, carbonized or loose.	Inspeccione las válvulas. Limpie o reemplácelas según sea necesario. Instale el juego ahorrapasos de válvulas/empaquetaduras.
16	Válvulas del compresor rotas, carbonizadas, sueltas o con filtraciones.	Inspeccione la válvula y limpie, repare o reemplace según sea necesario.
17	Acumulación de carbono sobre el o los pistones.	Limpie el o los pistones. Repare o reemplace según sea necesario.
18	Anillos del pistón dañados o gastados (rotos, ásperos o con arañazos). Excesivo espacio final o separación lateral. Los anillos del pistón no están asentados, están pegados a las ranuras o los espacios finales no están escalonados.	Instale el juego ahorrapasos de anillos/empaquetaduras. Ajuste los anillos del pistón.
19	Cilindros o pistones con arañazos, gastados o cortados.	Repare o reemplace según sea necesario.
20	Rodamientos de la varilla de unión, pasador del pistón o del cigüeñal gastados o cortados. Espaciador de rodamientos suelto en el cigüeñal.	Inspeccione todo. Repare o reemplace según sea necesario. Instale el juego ahorrapasos de rodamientos/biela de conexión.
21	Rodamientos de bolas defectuosos en el cigüeñal o eje del motor..	Inspeccione los rodamientos y reemplace si es necesario. Instale el juego ahorrapasos de rodamientos/biela de conexión.
22	Sentido erróneo de rotación de la rueda de banda.	Revise si las conexiones de cableado del motor son adecuadas. Invierta dos conductores en los motores trifásicos.
23	Filtraciones, roturas o desgaste en las piezas del descargador de toma.	Inspeccione las piezas y reemplace según sea necesario.
24	Válvula auxiliar sucia o asientos gastados.	Inspeccione las piezas. Limpie, ajuste o reemplace según sea necesario.
25	Retén del cigüeñal gastado o cigüeñal cortado.	Reemplace el retén. Si es necesario, instale un manguito de eje. Instale el juego ahorrapasos de rodamientos/biela de conexión.
26	Válvula piloto centrífuga desajustada o con filtraciones.	Reemplace la junta tórica de la válvula piloto. Ajuste la válvula piloto.
27	Válvula de retención con filtraciones o asiento de la válvula fundido.	Reemplace la válvula de retención.
28	Atmósfera extremadamente polvorienta.	Instale una tubería de admisión remota de aire y guíela a una fuente de aire más limpio. Instale un filtro más eficaz. Reemplace.
29	Válvula de seguridad/descarga defectuosa.	Inspeccione, limpie o repare según sea necesario.
30	Filtraciones en la válvula de admisión de alta presión.	Inspeccione, limpie o repare según sea necesario.
31	Filtraciones en la válvula de descarga de baja presión.	Inspeccione, limpie o repare según sea necesario.
32	El modo automático de parada y arranque no es adecuado para la demanda de aire.	Ajuste la válvula auxiliar para una operación de velocidad constante.
33	El descargador del interruptor de presión tiene filtraciones o no funciona.	Realinee el vástago o reemplace.
34	Temperatura ambiente demasiado baja.	Instale un juego de calentadores del cárter. Cambie el lubricante a All Season T30 Select. Lleve el compresor a un entorno de mayor temperatura.
35	Capa superficial del cilindro desgastada.	Limpie el cilindro con flex-hone de 180 gránulos.
36	Rueda de banda desequilibrada, tubos sin acodar o fijar, velocidad de polea inadecuada.	Revise el nivel de vibración, cambie la polea o rueda de banda si es necesario, apriete las abrazaderas del tubo.
37	La máquina no tiene una conexión a tierra adecuada.	Haga la conexión a tierra de la batería a la máquina como se recomienda.
38	La gasolina ha sido almacenada por demasiado tiempo o contiene agua.	Reemplace la gasolina, agregue estabilizador de combustible.
39	No hay combustible en el tanque. Válvula de combustible cerrada. Baja presión de aceite.	Vea las instrucciones del fabricante para el reaprovisionamiento de combustible. Abra la válvula de combustible. Vea las instrucciones del fabricante.
40	Condensación excesiva en tanque receptor.	Vacíe el tanque de receptor con la válvula de drenaje manual o instale una válvula de drenaje automática.
41	Accesorios/codos/conectores sueltos	Aplique una torsión adecuada a los accesorios
42	Válvula del regulador de presión de aceite desajustada o defectuosa	Ajuste la válvula según sea apropiado Reemplace la válvula del regulador
43	Válvula del descargador hidráulico desajustada o defectuosa	Reemplace el conjunto de válvula del descargador hidráulico
44	Indicador de presión de aceite defectuoso	Reemplace el indicador
45	Espuma de aceite en el cárter	Vacíe el lubricante, limpie completamente la caja del cigüeñal, reemplace el lubricante
46	Residuos u otras obstrucciones bloqueando el flujo de aceite	Inspeccione/limpie todos los conductos del aceite

DIAGRAMAS Y TABLAS

TABLA DE TORSIONES DE LOS FIJADORES

	2340	2475	2545	7100	2000 Y 2000P
Pernos prisioneros de alta presión	75	75	75	75	120
Pernos prisioneros de baja presión	75	75	75	75	120
Pernos de reborde del cilindro	30	50	50	50	50
Pernos de cubierta de la armazón	17	17	17	20	20
Pernos de cubierta del eje	17	17	17	20	50
Tornillos de cabeza del pasador de cigüeñal	5,5	11	11	12-15	—
Tornillos de cabeza del descargador	—	—	11	11	—
Tornillos de la válvula de admisión de alta presión	11-15 LB-PULG	11-15 LB-PULG	11-15 LB-PULG	5,5	36 LB-PULG
Tornillos de la válvula de admisión de baja presión	11-15 LB-PULG	25-30 LB-PULG	25-30 LB-IPULG	5,5	36 LB-PULG
Tornillos de la válvula de salida de alta presión	11-15 LB-PULG	11-15 LB-PULG	11-15 LB-PULG	26	36 LB-PULG
Tornillos de la válvula de salida de baja presión	25-30 LB-IPULG	25-30 LB-PULG	25-30 LB-IPULG	26	36 LB-PULG
Perno de la rueda de la banda	33	60	60	113	80
Pernos de centro de la culata de alta presión	—	—	10	—	—
Pernos de centro de la culata de baja presión	—	—	14-16	—	—
Tornillo de montaje guía del descargador	—	—	—	—	25
Tornillo deflector del interruptor de bajo nivel de aceite	—	—	—	—	5
Tuercas ciegas de centro de la culata	—	—	—	—	7
Válvula piloto	—	—	—	—	25
Conjunto de cuerpo del descargador	—	—	—	—	25
Pernos de la caja del descargador/ rodamiento	—	—	—	—	25
Husillos de la placa de válvula	—	—	—	—	7

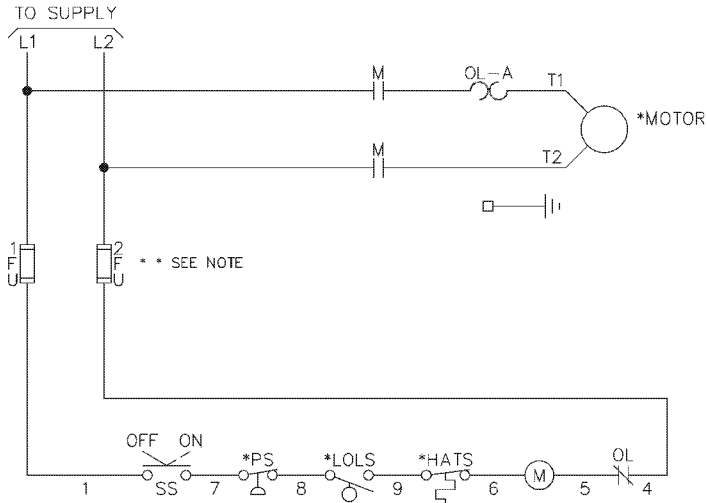
NOTA Apriete de manera uniforme todos los fijadores usando un patrón en cruz en dos etapas.

TABLA DE TENSIONES DE CORREA

MODELO	DEFLEXIÓN (PULG.)	TENSIÓN (LB.)	TIPO DE CORREA	CABALLOS DE FUERZA	TENSIÓN A UNA DEFLEXIÓN DE 1/64" POE PULGADA DE TRAMO
2340 (Intervalo Nominal 14")	0,25	4,9 - 7,1	B	7,5	7,0 - 10,0
2340 (Intervalo Nominal 19")	0,29	4,9 - 7,1		10-15	8,0 - 12,0
2475 (Intervalo Nominal 14")	0,25	4,9 - 7,1	C	20	12,0 - 18,0
2475 (Intervalo Nominal 19")	0,29	4,9 - 7,1		25-30	14,0 - 21,0
2475F/X11GH	0,34	5,5 - 8,0	5V	25-30	
2475F/X9/11GK	0,25	11,25 - 13,0			
2475N5 (tramo de 14,5", correa dentada)	0,23	4,5 - 6,5			
2545 (ranura A)	0,29	4,9 - 7,1			

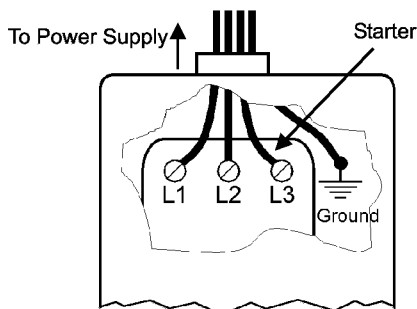
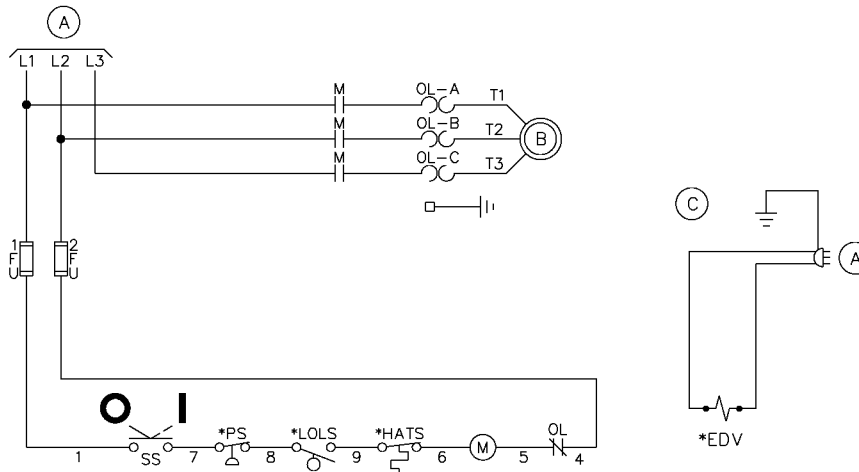
DIAGRAMAS DE CABLEADO ELÉCTRICO

Cableado monofásico



A	Al suministro
C	Cableado para la válvula de drenaje eléctrico opcional
EDV	Válvula de drenaje eléctrico
T	Terminal de línea de suministro
L	Terminal de carga
FU	Fusible del circuito de control
HATS	Interruptor de alta temperatura del aire (#)
LOLS	Interruptor de bajo nivel de aceite (#)
M	Bobina del arrancador del motor
OL	Sobrecarga del arrancador del motor
PS	Disyuntor automático
SS	Conmutador selector (#)
*	Cableado alternativo para convertir un arrancador trifásico a una aplicación monofásica
(#)	= si lo hay

Cableado trifásico

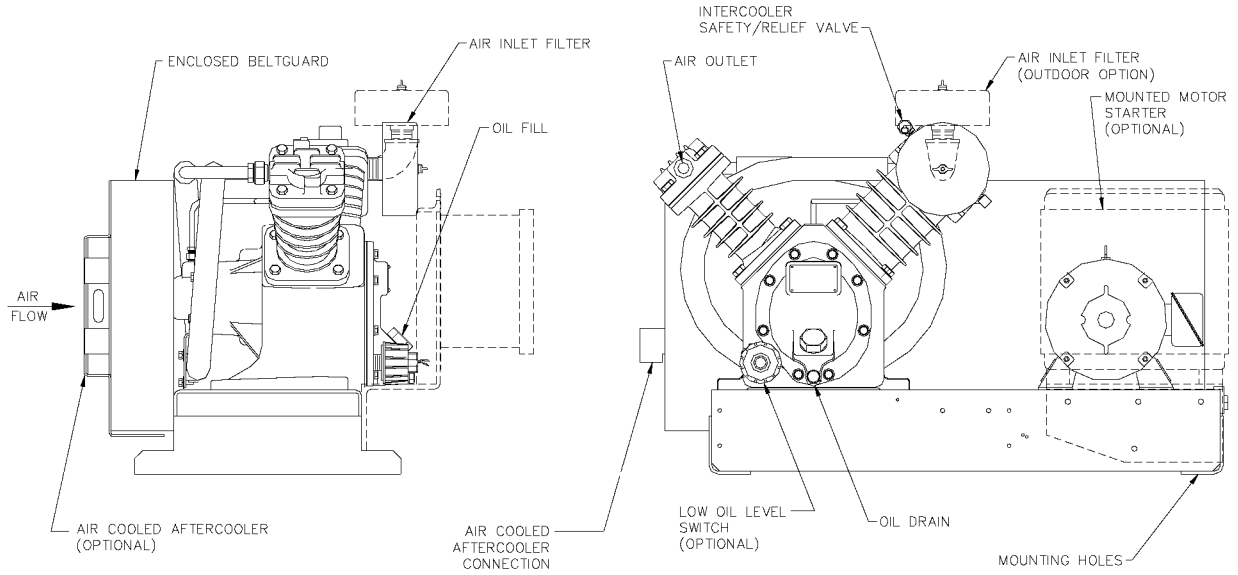


NOTA

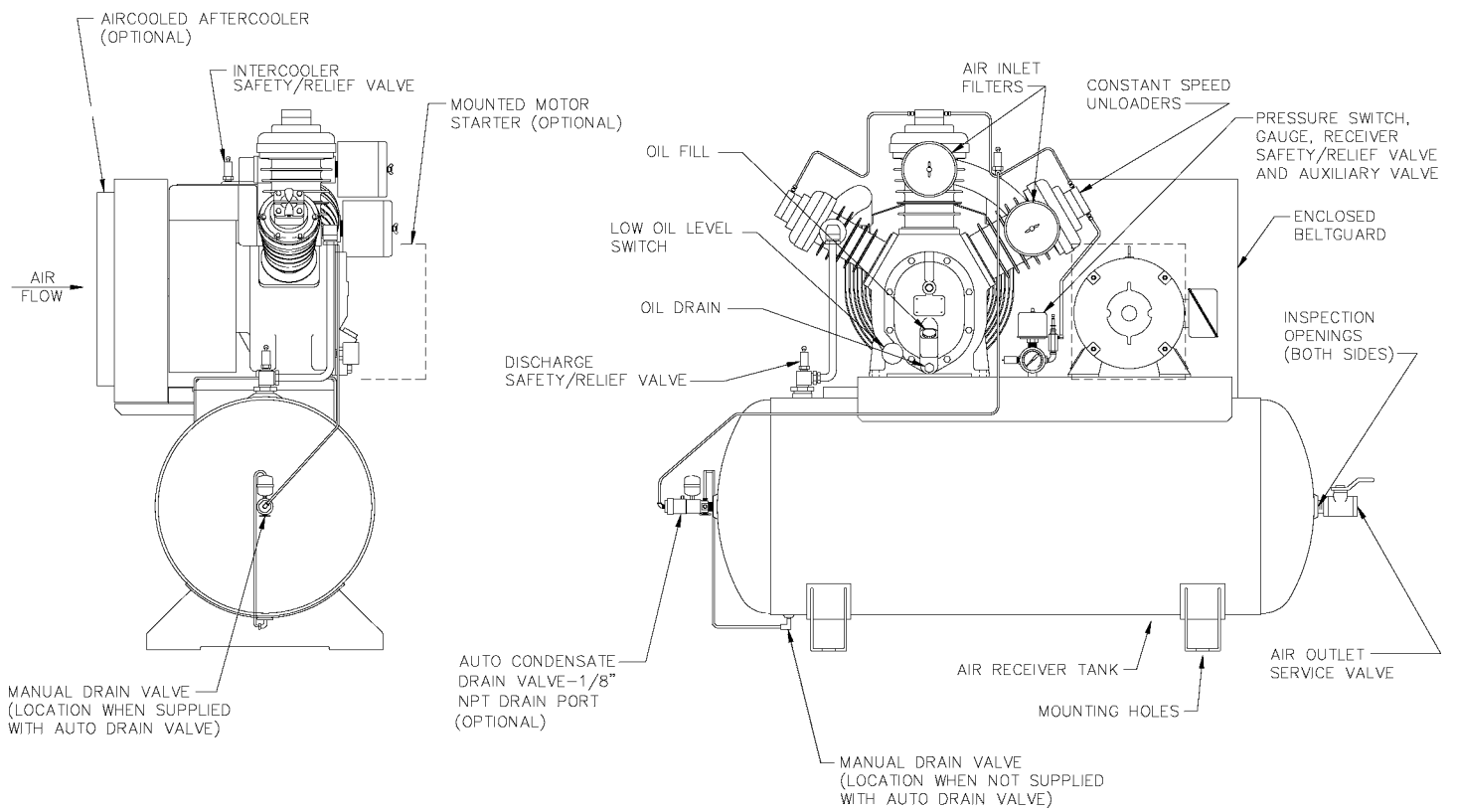
En las unidades que requieren un arrancador, conecte la línea de alimentación al arrancador. No conecte la línea de alimentación al interruptor de presión.

- Conecte el cable de conexión a tierra al terminal de tierra
- L3 se usa para los motores y arrancadores trifásicos únicamente

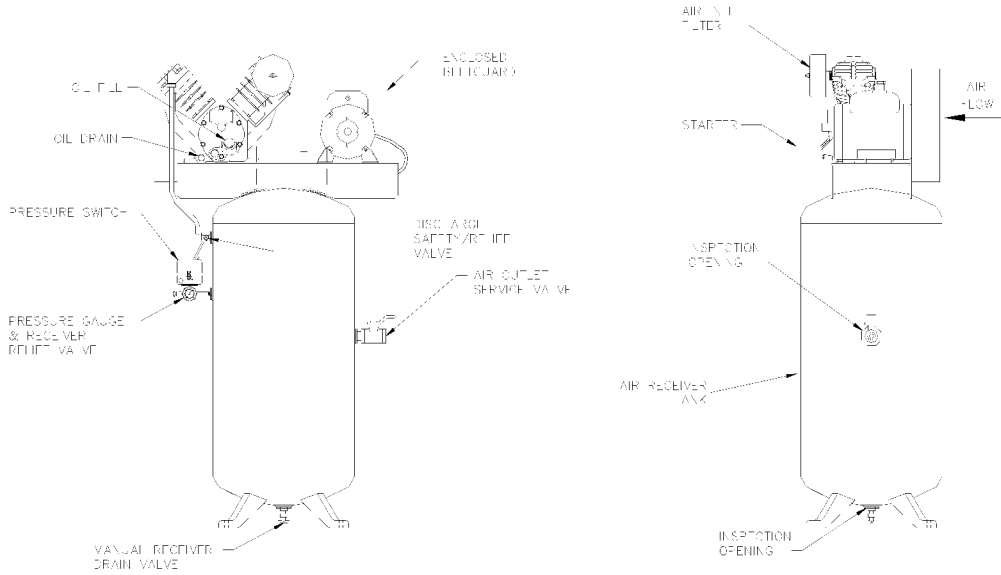
Típica unidad de placa base



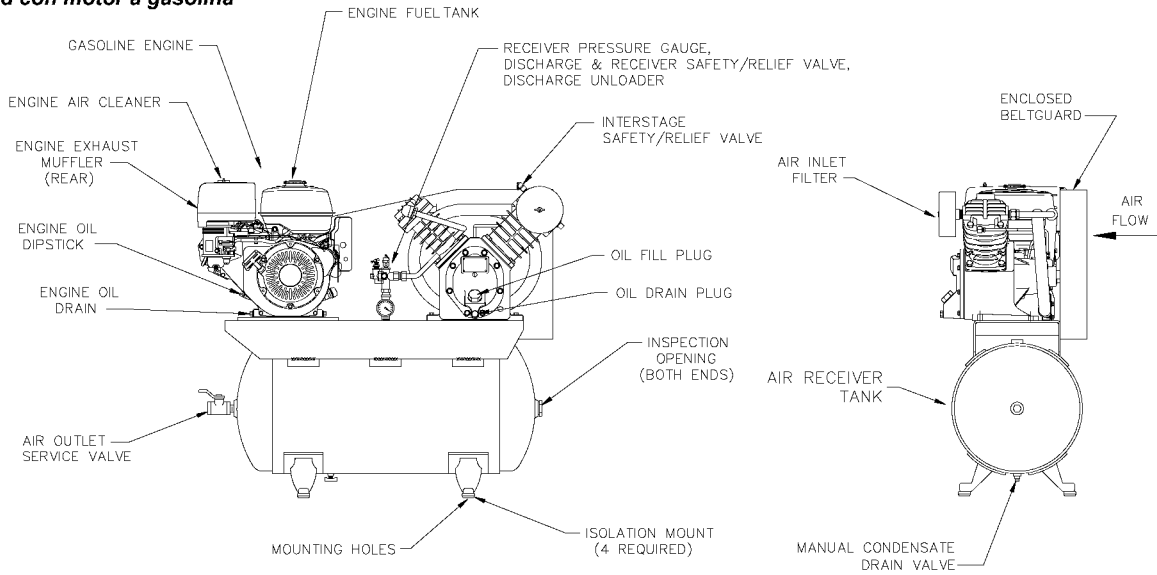
Típica unidad simplex horizontal



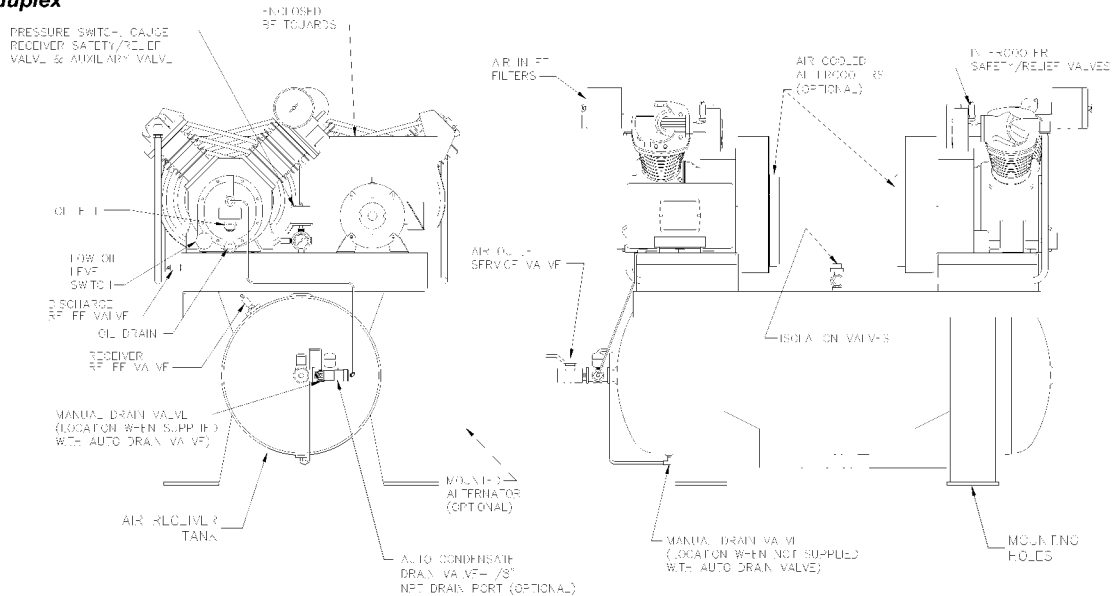
Típica unidad simplex vertical



Típica unidad con motor a gasolina



Típica unidad dúplex



GARANTÍA

Ingersoll-Rand Company garantiza que los equipos que fabrica y distribuye conforme a este documento estarán libres de defectos tanto en sus materiales como en su fabricación, durante un período de doce (12) meses desde la fecha en que los Equipos se ponen en operación o de dieciocho (18) meses desde el momento del embarque, lo que suceda primero. Este período de garantía se aplicará a todos los Equipos, salvo los siguientes: (A) Los compresores que funcionen exclusivamente con el lubricante sintético All Season T30 Select para compresores, tendrán una garantía por el compresor, sin accesorios, de veinticuatro (24) meses desde la fecha de inicio de las operaciones o de treinta (30) meses desde la fecha de embarque, lo que ocurra primero. (B) Los repuestos tendrán una garantía de seis (6) meses desde la fecha de embarque Si dentro de dicho período se informa por escrito a la Compañía de algún tipo de incumplimiento de las condiciones de esta Garantía, la Compañía a su discreción corregirá dicho incumplimiento reparando el Equipo en forma apropiada o proporcionará un reemplazo F.O.B. en el punto de embarque, siempre y cuando el comprador haya instalado, mantenido y operado dicho Equipo en conformidad con prácticas industriales correctas y haya cumplido con las recomendaciones específicas de la Compañía. Los accesorios o equipos provistos por la Compañía pero fabricados por otros mantendrán todas las garantía traspasadas a Ingersoll-Rand Company por su fabricante y que puedan ser transferidas al Comprador. La Compañía no se hará responsable de reparaciones, reemplazos o ajustes a los Equipos o de ningún tipo de costo por mano de obra en que incurra el Comprador que no cuenten con la previa autorización por escrito de la Compañía.

La Compañía no otorga ningún tipo de garantía de buena ejecución, a menos que se estipule específicamente dentro de sus propuestas, y esta Garantía excluye específicamente los efectos de la corrosión, erosión y el desgaste normal. En aquellos casos donde expresamente se incluyan garantías de buena ejecución, la obligación de la Compañía será efectuar correcciones en la manera y durante el plazo estipulado más arriba.

LA COMPAÑÍA NO HACE NINGÚN OTRO TIPO DE DECLARACIÓN, EXPRESA O IMPLÍCITA, SALVO AQUELLA DE PROPIEDAD Y POR ESTE MEDIO SE DECLINAN TODAS LAS GARANTÍAS IMPLÍCITAS DE COMERCIABILIDAD Y APTITUD PARA UN FIN EN PARTICULAR.

La corrección de los incumplimientos de la Compañía, sean patentes o latentes, en la forma y durante el plazo estipulado más arriba, deberá constituir el cumplimiento de todas las responsabilidades de la Compañía y sus Distribuidores, para aquellos incumplimientos respecto a o que surjan de dichos Equipos.

LIMITACIÓN DE RESPONSABILIDADES

LOS RECURSOS DEL COMPRADOR ESTIPULADOS EN ESTE DOCUMENTO SON EXCLUSIVOS Y LA RESPONSABILIDAD TOTAL DE LA COMPAÑÍA, SUS DISTRIBUIDORES Y PROVEEDORES, CON RESPECTO AL CONTRATO O EQUIPOS Y SERVICIOS PROVISTOS, EN RELACIÓN CON LA EJECUCIÓN O SU FALTA DE CUMPLIMIENTO O QUE SURJAN DE LA FABRICACIÓN, VENTA, ENTREGA, INSTALACIÓN, REPARACIÓN O DIRECCIÓN TÉCNICA CUBIERTA O PROVISTA BAJO UN CONTRATO, YA SEA QUE SE BASEN EN UN CONTRATO, GARANTÍA, NEGLIGENCIA, INDEMNIDAD, RESPONSABILIDAD LIMITADA U OTRO, NO PODRÁN EXCEDER EL PRECIO DE COMPRA DE LA UNIDAD O EQUIPO EN LOS CUALES SE BASA DICHA RESPONSABILIDAD.

LA COMPAÑÍA, SUS DISTRIBUIDORES Y SUS PROVEEDORES NO SERÁN RESPONSABLES BAJO CIRCUNSTANCIA ALGUNA ANTE EL COMPRADOR, CUALQUIER SUCESOR O BENEFICIARIO O CESIONARIO DEL CONTRATO, POR NINGÚN DAÑO INDIRECTO, INCIDENTAL, ESPECIAL O PUNITORIO QUE SURJA DE ESTE CONTRATO O DE CUALQUIER INCUMPLIMIENTO DE ÉL, O DE CUALQUIER DEFECTO, FALLA O MAL FUNCIONAMIENTO DEL EQUIPO, YA SEA QUE SE BASE DICHO DAÑO O NO EN LA FALTA DE USO, LA PÉRDIDA DE INGRESOS O UTILIDADES, INTERESES, PÉRDIDA DE BUENA REPUTACIÓN, CESE DE TAREAS, DAÑO SOBRE OTROS BIENES, PÉRDIDAS PRODUCTO DEL CIERRE O LA FALTA DE FUNCIONAMIENTO, AUMENTO EN LOS COSTOS DE OPERACIÓN, COSTO DE LA COMPRA DE ENERGÍA DE REEMPLAZO O DEMANDAS DE LOS COMPRADORES O CLIENTES DEL COMPRADOR POR LA INTERRUPCIÓN DEL SERVICIO, SE ORIGINE O NO DICHA PÉRDIDA O DAÑO EN EL CONTRATO, GARANTÍA, NEGLIGENCIA, INDEMNIZACIÓN, RESPONSABILIDAD ABSOLUTA U OTRO.

¿Preguntas? Piezas? ¿Servicio?

1-800 AIR SERV

**Visite nuestro sitio web:
www.air.ingersoll-rand.com**

Directives d'installation, d'emploi et d'entretien pour compresseurs d'air lubrifié à deux étages standard (Modèles de moteur électrique et de moteur à essence d'un maximum de 30 HP)

INFORMATIONS IMPORTANTES ! VEUILLEZ LIRE ET SUIVRE LES INSTRUCTIONS CONTENUES DANS LE PRESENT MANUEL.
CONSERVEZ-LES À TITRE DE RÉFÉRENCE.

SÉCURITÉ

DÉFINITIONS

- △ **DANGER** OCCASIONNERA la MORT, des BLESSURES ou des dégâts matériels considérables.
- △ **MISE EN GARDE** POURRA occasionner la MORT, des BLESSURES ou des dégâts matériels considérables.
- △ **ATTENTION** OCCASIONNERA ou POURRA occasionner des BLESSURES MINEURES ou des dégâts matériels.

PRÉCAUTIONS DE SÉCURITÉ GÉNÉRALES

- △ **DANGER** **AIR D'ADMISSION.** Peut contenir du monoxyde de carbone ou d'autres contaminants. Cause des blessures ou la mort. Les compresseurs Ingersoll-Rand n'ont été conçus, ni destinés, ni approuvés pour la compression d'air respirable. L'air comprimé ne doit pas être utilisé pour la respiration à moins qu'il ait été traité d'après les normes et règlements en vigueur pour cette application.
- △ **MISE EN GARDE** **TENSION DANGEREUSE.** Peut causer des blessures graves ou la mort. Débrancher l'alimentation et purger la pression du réservoir avant de réparer. Verrouiller/étiqueter la machine. Le compresseur doit être branché sur un circuit correctement mis à la terre. Reportez-vous aux instructions de la mise à terre dans ce manuel. Ne pas faire fonctionner le compresseur dans des conditions humides. Stocker à l'intérieur.
PIÈCES TOURNANTES. Peut causer des blessures graves. Ne pas utiliser sans les dispositifs de protection. La machine peut démarrer automatiquement. Débrancher avant le service. Verrouiller/étiqueter la machine.
SURFACE CHAUDE. Peut causer des blessures graves. Ne pas toucher. Attendre le refroidissement avant de réparer. Ne pas toucher le compresseur ou la tuyauterie chaude.
AIR SOUS PRESSION ÉLEVÉE. Le contournement, la modification ou le retrait de soupapes de sécurité/décharge peut causer des blessures graves ou la mort. Ne pas contourner, modifier ou retirer les soupapes de sécurité/décharge. Ne pas diriger les ajutages d'air sur une personne. Les réservoirs corrodés peuvent occasionner une explosion et des blessures graves ou la mort. Vidanger le réservoir quotidiennement ou après chaque utilisation. La soupape de vidange se trouve au fond du réservoir.
- △ **ATTENTION** **RISQUE D'ÉCLATEMENT.** Utiliser seulement des pièces à manipulation d'air pouvant accepter des pressions non inférieures à la pression maximale de travail consentie par la machine.

INFORMATIONS GÉNÉRALES

INTRODUCTION

Le présent manuel fournit des instructions sûres et fiables pour l'installation, l'exploitation et l'entretien de votre compresseur d'air Ingersoll-Rand. Il est recommandé de lire le manuel avec soin avant de procéder à l'utilisation ou à l'entretien de votre appareil. Si vous avez des doutes concernant les instructions ou les procédures utilisées dans ce manuel, veuillez communiquer avec Ingersoll-Rand. Il est également recommandé de garder ce manuel et toute publication accompagnant votre compresseur d'air dans un endroit accessible à toutes les personnes utilisant ou réparant votre système d'air comprimé.

APPLICATION

Les compresseurs d'air lubrifié à deux étages standard Ingersoll-Rand sont des dispositifs à simple effet, refroidis à l'air. Un compresseur typique est équipé d'unités de montage de réservoir d'air, compact et autonome, régulées et alimentées automatiquement par un moteur électrique ou un moteur à essence. Des accessoires en option sont disponibles comme par exemple : refroidisseur secondaire, contacteur de bas niveau d'huile, soupape de vidange automatique. Des pompes de compresseur sans accessoires ainsi que des dispositifs à montage sur socle sont également disponibles.

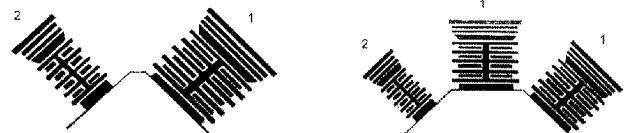
Ces compresseurs peuvent être utilisés dans toute une gamme d'applications à air comprimé d'un maximum de 250 PSIG (17,5 kg/cm²). Ils constituent une source d'air primaire ou secondaire utilisée dans pratiquement toutes les installations industrielles, les stations de service et les ateliers de réparation d'automobile. Comme source secondaire, un compresseur peut fournir de l'air à des pressions non disponibles dans les ateliers de réparation ou dans des endroits isolés ainsi qu'un service de secours d'air lorsque les compresseurs de plus grande capacité ne fonctionnent pas.

EXPLOITATION À DEUX PHASES

Un compresseur à deux étages se compose de un ou deux cylindres de premier étage de même alésage et d'un cylindre de second étage d'un alésage plus petit.

Dispositif typique deux étages, deux cylindres

Dispositif typique deux étages, trois cylindres



Le principe de fonctionnement de base est comme suit : Pendant la course descendante du ou des pistons de premier étage, l'air à la pression atmosphérique entre dans les cylindres via le ou les filtres d'admission puis dans les soupapes d'admission qui se trouvent dans la

culasse. Pendant la course ascendante du/des pistons de premier étage, l'air est comprimé à une pression intermédiaire et refoulé via la/les soupapes de décharge dans des manifolds communs. Au niveau des collecteurs, l'air passe dans les tubes de refroidisseur intermédiaire, où la chaleur de compression de premier étage est supprimée. Pendant la course descendante du piston de deuxième étage, l'air refroidi entre dans le cylindre de deuxième étage via la soupape d'admission. Pendant la course ascendante du piston de deuxième étage, l'air est comprimé à sa pression de refoulement finale et expulsé via la soupape de décharge dans le système de réservoirs. Si l'air de décharge doit être refroidi, un refroidisseur d'air de sortie doit être installé entre le refoulement du compresseur et le système de réservoirs.

Pour maintenir la pression d'air du système de réservoir dans les limites prédéterminées, le compresseur peut être utilisé avec la commande marche arrêt automatique ou une régulation de contrôle de vitesse constante. Le type de régulation utilisé dépend de l'application.

RÉFÉRENCES ADDITIONNELLES

À moins d'indication contraire, les dimensions, poids et mesures sont fournis en mesures U.S. standard suivies de sa conversion au système métrique entre parenthèses. Tout couple de serrage indiqué est fourni en livre par pouce ou pied suivi par son équivalent en newton-mètre entre parenthèses. Les caractéristiques électriques sont données en tension-phase-cycle.

RÉCEPTION ET INSPECTION

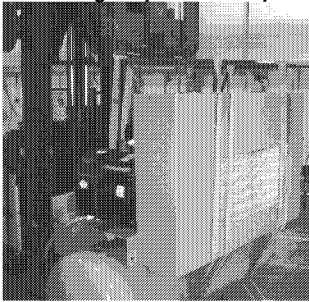
S'assurer qu'un équipement de levage approprié sera disponible pour décharger le compresseur et le déplacer là où il sera installé.

REMARQUE L'équipement de levage doit avoir la capacité requise pour soulever le poids du compresseur.

△ ATTENTION Soulever le dispositif par la cale d'expédition seulement. Ne pas utiliser l'œillet de levage de moteur pour soulever le dispositif tout entier. L'œillet de levage du moteur ne sert qu'à retirer le moteur du dispositif.

△ ATTENTION Ne pas travailler ou marcher sous le compresseur pendant qu'il est suspendu.

Utiliser un équipement de levage approprié (c.-à-d. un chariot à fourche) pour soulever et transporter le dispositif au site d'installation. S'assurer que l'équipement de levage, les sangles de levage etc. sont capables de prendre en charge le poids du dispositif.



Avant de signer le bon de livraison, inspecter l'équipement afin de s'assurer qu'il ne comporte pas de dommages ou de pièces manquantes. Si des dommages sont apparents ou des pièces sont manquantes, le noter sur le bon de livraison, puis le signer. Communiquer immédiatement avec le transporteur pour lui demander d'effectuer une inspection.

Tout le matériel doit rester au lieu de livraison pour être inspecté par le transporteur.

Les bons de livraison qui ont été signés sans notation de dommage ou pièces manquantes sont considérés comme faisant état d'une livraison parfaite. Toute demande d'indemnité ultérieure sera alors considérée comme une demande d'indemnité pour dommages dissimulés. Régler toute demande d'indemnité directement avec le transporteur.

Si des dommages sont découverts après réception du compresseur (dommages dissimulés), en aviser le transporteur dans les 15 jours suivant la date de livraison et effectuer une demande d'inspection par téléphone avec confirmation par écrit. Lors d'une demande d'indemnité pour dommages dissimulés, c'est le demandeur qui doit établir que le compresseur a été endommagé en transit.

Lire la plaquette signalétique du compresseur afin de vérifier qu'il correspond bien au modèle commandé. Lire la plaquette signalétique du moteur pour vérifier qu'il est bien compatible avec les équipements électriques. S'assurer que les boîtiers et les composants électriques sont appropriés pour l'environnement d'installation.

INSTALLATION

CHOIX DE L'EMPLACEMENT

DISPOSITIFS À MOTEUR ÉLECTRIQUE. Pour la majorité des dispositifs à moteur électrique, choisissez un endroit à l'intérieur relativement propre, sec et bien éclairé avec un espace suffisant pour assurer une ventilation, une circulation d'air de refroidissement et une accessibilité adéquates. Il faut allouer 1.000 pieds cubes d'air frais par 5 horse power. Situer le compresseur au moins à 15 pouces (38 cm) des murs.

À moins que les composants électriques du dispositif soient munis d'une protection spéciale pour utilisation extérieure, ne pas installer un moteur électrique à l'extérieur ou dans des endroits où les composants électriques sont exposés à la pluie, la neige ou toute autre source importante d'humidité.

AVERTISSEMENT CONCERNANT LES DISPOSITIFS MUNIS D'UN ROBINET DE PURGE ÉLECTRIQUE

△ AVERTISSEMENT Le robinet de purge électrique comporte des pièces pouvant produire des étincelles, comme un interrupteur à coupure brusque, une prise de courant et autres. Par conséquent, lorsque le compresseur est situé dans un garage, il est recommandé de le placer dans une pièce ou enceinte à cet effet ou de le placer de façon telle que le robinet de purge électrique se situe à une distance de 18 pouces (457 mm) ou plus au-dessus du plancher.

DISPOSITIFS À MOTEUR À ESSENCE. Pour les dispositifs à moteur à essence, garder le moteur à une distance minimale de 3 pieds (1 m) des murs de la pièce ou de tout autre équipement. Installer le dispositif dans un endroit où l'espace est suffisant pour assurer une ventilation, une circulation d'air de refroidissement et une accessibilité adéquates. Ne pas installer ou exploiter un moteur à essence dans un espace clos.

CONSIDÉRATIONS EN MATIÈRE DE L'AIR AMBIANT. La température de marche idéale se situe entre 0 °C et 37,8 °C (32 °F et 100 °F). Si la température baisse souvent sous 0 °C (32 °F), situer l'unité à l'intérieur d'un bâtiment chauffé. Si cela n'est pas possible, il est essentiel de protéger les soupapes de sécurité/décharge et les soupapes de vidange contre le gel. Si la température atteint souvent les 4,4°C (40°F), il est recommandé d'installer une trousse de chauffage du carter principal, particulièrement si le compresseur démarre difficilement.

△ ATTENTION Ne pas faire fonctionner l'appareil à une température inférieure à -26,1°C (-15°F) ou supérieure à 51,0 °C (125 °F).

LIEUX HUMIDES. Dans un lieu qui est souvent humide, il est possible que de l'humidité se forme dans la pompe, entraînant la formation de boues dans le lubrifiant et l'usure prématurée des pièces mobiles. Une quantité excessive d'humidité aura tendance à se former si le compresseur est situé dans un lieu non chauffé qui est exposé à de grandes variations de température.

Voici deux signes d'humidité excessive : la formation de condensation sur la paroi extérieure du compresseur qui refroidit et un lubrifiant à base de pétrole dont l'aspect est laiteux.

On pourra empêcher la formation d'humidité dans la pompe en augmentant la ventilation, en faisant fonctionner l'appareil plus

longtemps lors de chaque cycle ou en installant une trousse de chauffage du carter principal.

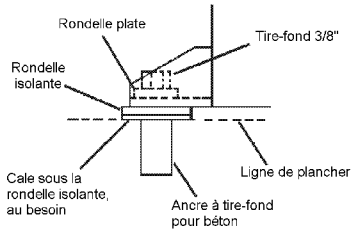
CONSIDERATIONS EN MATIÈRE DE BRUIT. Pour connaître la réglementation en vigueur concernant les niveaux de bruit acceptables, consulter les autorités locales. Pour réduire le bruit excessif, utiliser des amortisseurs de vibration (**sauf sur les Modèles 2000 et 2000P**) ou un silencieux d'aspiration, déplacer le compresseur ou construire des enceintes totales ou des murs déflecteurs.

MONTAGE

△ **MISE EN GARDE** Avant d'effectuer le montage, enlever le compresseur de la cale.

DISPOSITIFS À MOTEUR ÉLECTRIQUE. Boulonner le dispositif sur une base solide et de niveau (comme un plancher de béton). Ne pas boulonner solidement des pieds non-nivelés à la base afin d'éviter de provoquer une tension excessive au réservoir. Utiliser des cales métalliques sous les pieds au besoin. **NE PAS UTILISER D'AMORTISSEURS DE VIBRATION SUR LES MODÈLES 2000 ET 2000P.**

Montage permanent typique (Quincaillerie fournie par le client)



DISPOSITIFS À MOTEUR À ESSENCE. Boulonner le dispositif sur une base solide et de niveau. Ne pas boulonner solidement des pieds non-nivelés à la base afin d'éviter de provoquer une tension excessive sur le réservoir. Utilisez des cales métalliques sous les pieds au besoin. Les dispositifs à moteur à essence montés sur une plate-forme de camion doivent être fixés solidement sans appliquer une tension excessive sur le réservoir. L'installation d'une trousse amortisseur de vibration est recommandée avec les modèles de moteur à essence.

INSTALLATION D'UNE CANALISATION D'ASPIRATION À DISTANCE

△ **ATTENTION** Ne pas utiliser l'appareil sans filtre d'aspiration.

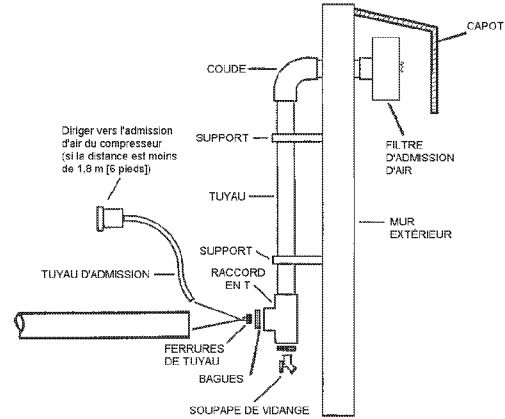
Si l'air autour du dispositif est relativement libre de poussières, installer le filtre d'aspiration au raccord d'admission de la pompe. Si l'air est poussiéreux, raccorder le filtre à une source d'air propre. Utiliser des tuyaux en plastique PVC pour la canalisation d'aspiration à distance. Ne pas utiliser de tuyau en fer noir ou de tuyau en acier galvanisé car ils contribuent au suintement et à la formation de rouille. Il est recommandé d'installer des filtres en ligne pour faciliter le nettoyage et le remplacement. Assurez-vous que la canalisation est aussi courte et directe que possible et aussi large ou plus large que le diamètre du raccord d'aspiration de la pompe. Ne jamais installer une tuyauterie dont le diamètre est plus petit que celui de la tuyauterie d'admission de la pompe.

Augmenter le diamètre du tuyau d'une catégorie pour chaque 10 pieds (3 m) de longueur ou chaque coude de 90°. S'assurer que la tuyauterie est solidement entretoisée.

Si vous raccordez le filtre à l'extérieur, recouvrez-le d'un capot pour empêcher la pluie ou la neige de pénétrer.

Des éléments filtrants ainsi que des dispositifs de filtration à usage industriel sont disponibles pour les fines poussières en suspension, comme les poussières de ciment et de roche.

Canalisation d'admission à distance typique.



INSTALLATION DE LA CANALISATION DE REFOULEMENT

△ **MISE EN GARDE** N'utiliser nulle part dans le circuit d'air comprimé des tuyaux de plastique, des raccords soudés en cuivre, des tubes de caoutchouc ou des joints soudés à l'étain au plomb.

△ **ATTENTION** Si le lubrifiant utilisé est du lubrifiant synthétique pour compresseur, la tuyauterie et les composants en aval du circuit doivent être composés d'un matériau compatible. Se reporter à la liste de matériaux compatibles ci-dessous. Si votre système contient des matériaux incompatibles, ou pour des matériaux non inclus dans la liste, communiquer avec Ingersoll-Rand pour toute information supplémentaire.

LUBRIFIANT SYNTHÉTIQUE POUR COMPRESSEUR LISTE DE COMPATIBILITÉ MATÉRIELLE

ACCEPTABLES :

Viton®, Teflon®, époxydes (chargés à la fibre de verre), alkydes résistants aux huiles, fluorosilicones, hydrocarbures fluorés, polysulfides, uréthanes à 2 composants, nylon, Delrin®, Celcon®, caoutchoucs à forte teneur en nitrile (Buna-N, NBR de plus de 36 % d'acrylonitrile), polyuréthane, polyéthylène, épichlorhydrine, polyacrylate, mélamine, polypropylène, résines phénoliques cuites, époxydes, alkydes modifiés (® Marque déposée de DuPont Corporation)

NON RECOMMANDÉS :

Néoprène, caoutchouc naturel, caoutchouc SBR, peintures acryliques, laques, vernis, polystyrène, PVC, ABS, polycarbonates, acétate de cellulose, caoutchoucs à faible teneur en nitrile (Buna N, NBR de moins de 36 % d'acrylonitrile), EPDM, acétate de vinyle et d'éthylène, latex, caoutchoucs éthylène-propylène (EPR), acryliques, résines phénoxy, polysulfones (PSF), styrène-acrylonitrile, butyle

REMARQUE Tous les systèmes à air comprimé produisent du condensat s'accumulant dans un point de vidange (p. ex. réservoirs, filtres, points de purge, refroidisseurs de sortie, sécheurs). Ce condensat contient de l'huile lubrifiante et/ou des substances réglementées qui doivent être enlevées selon les lois et les règlements municipaux, provinciaux et fédéraux.

GÉNÉRALITÉS. La tuyauterie, les raccords, le réservoir, etc. doivent être homologués pour fonctionner à la pression maximale de service de l'unité. Utiliser des tubes d'acier ou de cuivre à filetage ou à soudage fort et des raccords en fonte dont l'homologation convient à la pression et à la température de refolement du compresseur. **NE PAS UTILISER DE PLASTIQUE PVC DANS LA CONDUITE DE REFOLEMENT D'AIR COMPRIMÉ.** Utiliser un matériau d'étanchéité sur tous les filetages de la tuyauterie et bien serrer les joints afin de prévenir toute fuite d'air.

CANALISATIONS DE REFOULEMENT DU CONDENSAT. Si une canalisation de refoulement du condensat doit être installée, s'assurer que le diamètre de ses tuyaux est supérieur à celui du raccord d'au moins une catégorie, que son circuit est le plus court et le plus direct possible, qu'elle est fixée solidement en place et qu'elle est dirigée vers un point de purge convenable. Le condensat doit être éliminé en conformité avec les lois et règlements en vigueur au niveau municipal, provincial et fédéral.

△ **MISE EN GARDE** Si un refroidisseur de sortie, un clapet antiretour, un robinet de sectionnement ou toute autre restriction est ajoutée au circuit de refoulement du condensat, installer entre cette restriction et le compresseur une soupape de sûreté/décharge homologuée ASME ayant le format qui convient.

INSTALLATION DU CÂBLAGE ÉLECTRIQUE (DISPOSITIFS À MOTEUR ÉLECTRIQUE)

△ **MISE EN GARDE** L'installation et les révisions du circuit électrique doivent être effectuées par un électricien agréé qui connaît les lois et les règlements municipaux, provinciaux et fédéraux en vigueur.

GÉNÉRALITÉS. Les caractéristiques nominales du moteur, indiquées sur la plaquette signalétique, et l'alimentation électrique doivent correspondre aux caractéristiques de la tension, des phases et des cycles.

CALIBRE DES FILS. Le câblage reliant l'alimentation électrique et le moteur varie en fonction de la puissance du moteur (HP) et d'autres facteurs. Installer des conducteurs de connexion de calibre adéquat pour protéger le dispositif contre toute chute de tension excessive lors du démarrage. Consulter le Code national de l'électricité pour de plus amples informations concernant la sélection du calibre de conducteur approprié et la fixation des connexions électriques. Si vous raccordez du matériel électrique supplémentaire au même circuit, vous devez prendre en compte la charge électrique totale lors de la sélection du calibre de conducteur approprié. NE PAS UTILISER DE CONDUCTEURS TROP PETITS.

Si les informations de calibre de fils ne sont pas disponibles, les calibres indiqués au tableau de sélection des fils ci-dessous peuvent être utilisés comme valeurs de référence sûres, si la distance ne dépasse pas 50 pieds (15,3 m). Pour des distances plus longues, consulter un entrepreneur en électricité ou la compagnie d'électricité locale pour obtenir de plus amples informations.

MOTEUR HP	MONOPHASÉ		TRIPHASÉ			
	115V	230V	200V	230V	460V	575V
1	12	14	14	14	14	14
1,5	10	14	14	14	14	14
2	8	14	14	14	14	14
3	8	12	14	14	14	14
5	4	8	10	12	14	14
7,5		6	8	10	14	14
10			8	8	12	14
15			4	6	10	10
20			3	4	8	10
25			1	2	6	8
30			0	1	6	8

DÉMARREUR MAGNÉTIQUE. Si le moteur installé sur votre dispositif est muni d'un bouton de réenclenchement, il n'est pas nécessaire d'installer un démarreur magnétique. Si le moteur ne dispose pas d'un bouton de réenclenchement et que le dispositif n'a pas de démarreur installé à l'usine, il faut installer un démarreur magnétique avec protection thermique contre les surcharges. Suivre les instructions d'installation du fabricant. Ingersoll-Rand n'est en aucun cas responsable de tout dommage résultant d'un manquement de fournir une protection adéquate des moteurs.

FUSIBLES. Se reporter au Code national de l'électricité afin de déterminer les caractéristiques nominales requises du fusible ou du disjoncteur. Au moment de la sélection des fusibles, prendre en compte

le fait que le courant de pointe lors du démarrage d'un moteur électrique est supérieur au courant de pleine charge. L'usage de fusibles à retardement ou à action retardée est recommandé.

PRESSOSTAT. Sur les dispositifs non munis de pressostat installé à l'usine, câbler un pressostat selon le schéma de branchement approprié sous la rubrique DIAGRAMMES du présent manuel. Effectuez le montage du pressostat en suivant les recommandations du fabricant. La ligne de raccordement au réservoir doit être aussi courte et directe que possible et homologuée pour la pression de service maximale du dispositif.

RACCORDEMENT D'UNE BATTERIE (DISPOSITIFS À MOTEUR À ESSENCE)

REMARQUE Dans le cas où le dispositif est connecté à une batterie à distance, le moteur du compresseur doit être muni d'un alternateur.

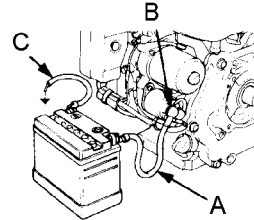
BATTERIE. Une batterie de 12 volts d'un courant nominal minimum de 250 A démarrage à froid et d'une intensité nominale par heure de 24 Ah devrait suffire pour le démarrage de la majorité des moteurs électriques.

CÂBLES DE BATTERIE. Consulter le tableau suivant pour les tailles et longueurs recommandées.

Calibres des câbles (CAL.)	Longueur maximum
6	5' (1,5 m.)
4	7'-2,5" (2,1 m.)
2	12' (3,6 m.)

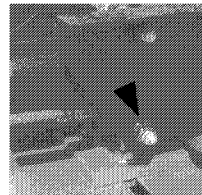
PROCÉDURES DE RACCORDEMENT :

1. Connecter le câble (A) positif (+) de la batterie à la borne du solénoïde de démarreur (B).

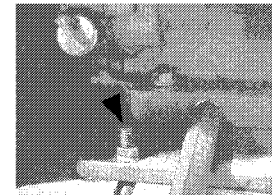


2. Connecter le câble (C) négatif (-) de la batterie au boulon indiqué dans l'illustration suivante. Fixer le câble en place en vissant un écrou de taille adéquate sur le boulon et finalement sur la borne.

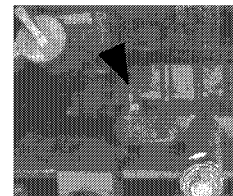
Kohler



Honda



Kawasaki



Ingersoll-Rand



3. Connecter le câble (A) positif (+) de la batterie à la borne positive (+) de la batterie.
4. Connecter le câble négatif (-) de la batterie à la borne négative (-) de la batterie.
5. Enduire les bornes et les extrémités de câble d'une graisse anticorrosive.

△ MISE EN GARDE Enlever le câble de la borne négative (-) de la batterie avant de procéder à l'entretien.

Consulter les instructions du fabricant du dispositif pour de plus amples informations.

INSTALLATION D'UNE POMPE À CARBURANT (DISPOSITIFS À MOTEUR À ESSENCE)

Certains moteurs utilisent une pompe à carburant en option pour fournir l'essence au moteur directement à partir d'un système d'alimentation de bord d'un véhicule. Installer la pompe à carburant à une distance de 12 pouces (30 cm) de la surface inférieure du réservoir de carburant du véhicule. Afin d'éviter toute contamination de la pompe, installer une soupape d'isolement du combustible ainsi qu'un filtre en ligne entre le système d'alimentation de la pompe.

LUBRIFICATION DU COMPRESSEUR

△ ATTENTION Ne pas faire fonctionner le compresseur sans lubrifiant ou avec un lubrifiant qui ne convient pas. Ingersoll-Rand décline toute responsabilité pour les pannes du compresseur causées par une lubrification inadéquate.

LUBRIFIANT SYNTHÉTIQUE POUR COMPRESSEUR. Ingersoll-Rand recommande dès la première utilisation le lubrifiant synthétique All Season T30 Select. Pour de plus amples renseignements concernant la garantie prolongée, se reporter à la rubrique GARANTIE. Lubrifiants de rechange.

On peut utiliser un lubrifiant XL-300 ou à base de pétrole comparable à condition qu'il soit de qualité supérieure, qu'il ne contienne aucun détergent, qu'il contienne comme additifs seulement des agents antirouille, antioxydants et antimousse, que son point d'inflammation soit de 227 °C (440 °F) ou plus et que sa température d'inflammation spontanée soit de 343 °C (650 °F) ou plus.

Se reporter ci-dessous au tableau de viscosité des lubrifiants à base de pétrole. Il est fourni exclusivement à titre d'information. Des conditions de marche rigoureuses nécessitent une viscosité plus élevée. Pour obtenir des recommandations, discuter avec le distributeur des conditions réelles de fonctionnement.

Température autour du compresseur		Viscosité à 100°F (37,8°C)		Catégorie de viscosité	
°F	°C	SUS	Centistokes	ISO	SAE
< 40	< 4,4	150	32	32	10
40-80	4,4-26,7	500	110	100	30
80-125*	26,7-51,0*	750	165	150	40

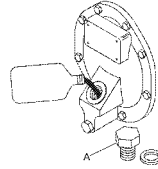
* = Pour les Modèles 2000 et 2000P, utiliser le Lubrifiant pour Compresseurs Ingersoll-Rand XL-740HT pour des températures au dessus de 100°F (37,7°C).

Si vous employez un lubrifiant pour compresseur à base de pétrole à la première utilisation et que vous décidez d'utiliser ensuite le lubrifiant All Season T30 Select, il faut décarburer et rincer la pompe avant d'utiliser le nouveau lubrifiant. Communiquer avec Ingersoll-Rand pour de plus amples informations.

PROCÉDURES DE REMPLISSAGE :

1. Dévisser et enlever le bouchon du réservoir à huile.
2. Remplir le carter de lubrifiant.
3. Refermer le bouchon d'huile et le SERRER SEULEMENT AVEC LES MAINS.

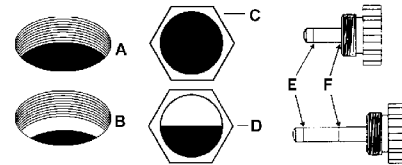
△ MISE EN GARDE Ne pas enlever le bouchon du réservoir à huile lorsque le compresseur est en marche.



Consulter le tableau suivant pour la capacité des carters.

Modèle	Capacité de carter
2340	28 oz. (827 ml.)
2475	41 oz. (1212 ml.)
2545	73 oz. (2158 ml.)
7100	80 oz. (2365 ml.)
15T, 2000, 2000P	144 oz. (4258 ml.)

Utiliser l'une des méthodes illustrées pour déterminer le moment où le carter est plein.



A = niveau PLEIN au filetage inférieur de l'orifice de remplissage d'huile sur les dispositifs sans voyant en verre ou sans jauge graduée.

B = niveau AJOUTER en dessous du filetage inférieur de l'orifice de remplissage d'huile sur les dispositifs sans voyant en verre ou sans jauge graduée.

C = niveau PLEIN sur les dispositifs munis de voyant en verre.

D = niveau AJOUTER sur les dispositifs munis de voyant en verre.

E = niveau AJOUTER sur les dispositifs munis de jauge graduée.

CONTACTEUR DE BAS NIVEAU D'HUILE

Un contacteur de bas niveau d'huile à flotteur peut être installé afin de protéger le dispositif contre tout dommage résultant d'un niveau d'huile de compresseur insuffisant. Un niveau d'huile bas dans le carter du compresseur entraîne l'ouverture des contacts de l'interrupteur, interrompant le fonctionnement du dispositif jusqu'à ce que le niveau d'huile ait été restauré.

La protection adéquate contre les bas niveaux d'huile dépend du réglage correct du contacteur de bas niveau d'huile. Lors de la première utilisation, interrompre le fonctionnement du dispositif et purger environ 1 litre (un quart) d'huile du carter de compresseur dans un contenant propre adéquat. Tendre l'oreille pour entendre le clic du contacteur ou vérifier que celui-ci fonctionne à l'aide d'un dispositif d'essai de continuité électrique.

Il arrive que le flotteur soit mal positionné ou qu'il se bloque durant l'expédition. Si le flotteur est mal positionné ou bloqué, ouvrir le sectionneur, purger l'huile qui reste, enlever le couvercle de carter et libérer le flotteur. Effectuer le réassemblage du dispositif et utiliser la même huile.

REMARQUE Si le flotteur est bloqué en position basse, il est impossible de faire démarrer le dispositif.

MODE D'EMPLOI

FORMULE À CHARGE VARIABLE

Les dispositifs fonctionnant au-dessus de 200 PSIG doivent être exploités selon la "Formule à charge variable."

FORMULE À CHARGE VARIABLE

Le temps de remplissage ne devrait normalement pas excéder trente (30) minutes ou prendre moins que dix (10) minutes. Les périodes d'interruption entre les cycles d'exploitation devraient être au moins égales aux périodes de remplissage. **REMARQUE :** Lorsque le compresseur est contrôlé par une régulation de vitesse constante, la période d'interruption est égale au temps d'exploitation du compresseur sans charge.

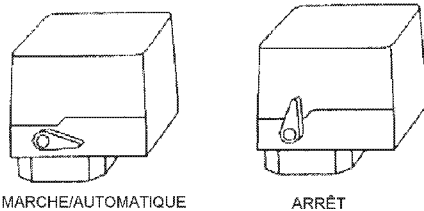
Une limite de temps de remplissage suivie d'une période de refroidissement est recommandée pour protéger les soupapes et les culasses contre des températures de service élevées stabilisées, ce qui pourrait entraîner une accumulation rapide de carbone dans ces pièces.

Toute question concernant les applications de compresseur à pression élevée où le cycle "d'exploitation" est différent de la "Formule à charge variable" doit être adressée à Ingersoll-Rand.

DÉMARRAGE (MODÈLES ALIMENTÉS PAR MOTEUR ÉLECTRIQUE)

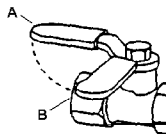
1. Fermer la soupape de service.
2. Déchargez toute la pression restante dans le réservoir en ouvrant lentement la soupape de vidange manuelle.
3. Fermer la soupape de vidange manuelle et mettre le compresseur sous tension. Si le pressostat est muni d'un levier "MARCH/AUTOMATIQUE/ARRÊT", le faire basculer dans la position "MARCHE/AUTOMATIQUE". Si le dispositif est muni d'un interrupteur de marche/arrêt (ON/OFF) sur le panneau de commande, mettre l'interrupteur en position "ON" (Marche).

Levier de pressostat typique (si fourni)



4. Ouvrir lentement la soupape de service.

Robinet de service typique (A = ouvert, B = fermé)



△ ATTENTION Un bruit inhabituel ou des vibrations indiquent qu'il y a un problème. Cesser de faire fonctionner l'appareil jusqu'à ce que la source du problème ait été identifiée et corrigée.

REMARQUE S'assurer que la direction de rotation est correcte en observant la flèche sur le moteur. Si la rotation est incorrecte sur un dispositif à trois phases, échanger deux des trois conducteurs.

DÉMARRAGE (DISPOSITIFS À MOTEUR À ESSENCE)

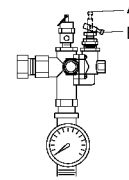
△ MISE EN GARDE Ne pas faire fonctionner les dispositifs à moteur à essence dans un endroit fermé.

1. Déchargez toute la pression restante dans le réservoir en ouvrant lentement la soupape de vidange manuelle.
2. Actionner l'alimentation en gaz du moteur.
3. Placer l'étrangleur dans la position "marche".
4. Fermer la soupape de service et placer le levier du dispositif de délestage dans la position de "déchargement" (A) pour les modèles

alimentés par moteur Kawasaki et Honda et Ingersoll-Rand, ou dans la position de "chargement" (B) pour les modèles alimentés par moteur Kohler.

5. Faire démarrer le moteur, relâcher l'étrangleur et laisser le moteur se réchauffer pendant deux à trois minutes.
6. Remettre le levier de délestage dans la position de "chargement" (B) sur les modèles alimentés par moteur Kawasaki et Honda et Ingersoll-Rand.

Dispositif de délestage typique (A = déchargement, B = chargement)



REMARQUE Fermer l'alimentation en gaz lorsque le compresseur n'est pas utilisé.

REMARQUE Certains compresseurs à moteur à essence nécessitent de 5-8 heures de rodage avant d'atteindre leur pleine capacité et vitesse.

COMMANDES DU COMPRESSEUR

COMMANDE DE DÉMARRAGE ET D'ARRÊT AUTOMATIQUE. Ce type de commande s'applique aux modèles à moteur électrique en dessous de 10 HP.

REMARQUE La commande de démarrage et d'arrêt automatique est à l'intention des utilisations où le moteur effectue un maximum de 6 démarrages par heure.

Lorsque la pression du réservoir atteint le maximum préétabli en usine (normalement 175 PSIG), le pressostat met le dispositif en arrêt. Lorsque la pression du réservoir tombe en dessous du minimum préétabli en usine (normalement 135 PSIG), le pressostat réinitialise et relance le compresseur.

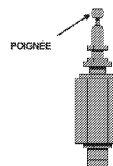
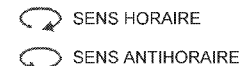
RÉGULATION DE VITESSE CONSTANTE. Ce type de régulation de vitesse s'applique aux dispositifs à moteur à essence.

Lorsque la pression du réservoir atteint le maximum préétabli en usine (normalement 175 PSIG), le dispositif de délestage ralentit le moteur et le dispositif cesse de pomper. Lorsque la pression du réservoir tombe en dessous du minimum préétabli en usine (normalement 145 PSIG), le dispositif de délestage se réinitialise, le moteur reprend son plein régime et le dispositif se remet à pomper.

DOUBLE COMMANDE. Ce type de commande double s'applique aux dispositifs à moteur électrique de plus de 10 HP. Sélectionner démarrage et arrêt automatique ou vitesse constante par le réglage de la poignée sur le distributeur auxiliaire. Pour un démarrage et arrêt automatique, tourner la poignée sur le distributeur auxiliaire dans le sens horaire complet pour désactiver le distributeur auxiliaire. Le pressostat fait ensuite démarrer et arrêter le dispositif.

REMARQUE Pour les modèles à double commande, il est préférable d'utiliser le démarrage et l'arrêt automatique.

Distributeur auxiliaire.



Choisissez une régulation de vitesse constante si le dispositif redémarre dans des intervalles inférieures à 10 minutes ou s'il est utilisé pendant plus de 40 minutes par heure. Tourner la poignée dans le sens antihoraire complet pour faire fonctionner le dispositif continuellement. Lorsque la pression du réservoir atteint 170 PSIG, le dispositif fonctionne mais il ne pompe pas.

REMARQUE Le distributeur auxiliaire est préréglé en usine à une valeur inférieure de 5 PSIG au réglage à l'usine du pressostat.

ATTENTION Ne pas faire fonctionner sans charge pour plus de 20 minutes par heure ou plus de 15 minutes continuellement sous une régulation de vitesse constante pour éviter d'entraîner le pompage de l'huile.

RÉGLAGE DU PRESSOSTAT

MISE EN GARD Lorsque le bloc d'alimentation est connecté, un haut voltage existe aux contacts du pressostat. Il faut déconnecter, verrouiller et étiqueter le bloc d'alimentation principal avant d'effectuer tout réglage.

ATTENTION Ne jamais régler le pressostat pour qu'il excède la pression de refoulement maximale du dispositif.

REMARQUE N'effectuer le réglage du pressostat que si cela est absolument nécessaires.

ENCLÈCHEMENT & DÉCLÈCHEMENT. Le point de déclenchement (arrêt du compresseur) est la pression à laquelle les contacts du pressostat s'ouvrent, et l'enclenchement (redémarrage du compresseur) la pression à laquelle les contacts du pressostat se ferment. Voir COMMANDES DU COMPRESSEUR.

COMMANDES DE RÉGLAGE. Tous les pressostats disposent d'une commande de réglage de gamme (A). Certains pressostats disposent également d'une commande de réglage différentiel (B). Dans le cas de pressostats sans commande de réglage différentiel, la portée entre les capteurs de niveau de pression d'enclenchement et de déclenchement est réglée en usine pour 40 ± 4 PSIG et ne peut être réglée.

REMARQUE Certains pressostats sont munis d'un levier de marche-arrêt utilisé pour ouvrir et fermer les contacts électriques à l'intérieur. CE LEVIER N'EST PAS UNE COMMANDE DE RÉGLAGE DIFFÉRENTIEL. Un pressostat muni d'un levier de marche-arrêt n'a pas de commande de réglage différentiel.

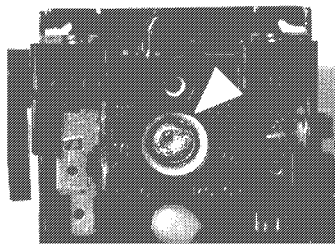
PROCÉDURES DE RÉGLAGE (PRESSOSTAT SANS COMMANDE DE RÉGLAGE DIFFÉRENTIEL):

1. Enlever le couvercle du pressostat.
2. Effectuer le réglage de la portée en tournant la vis de réglage de portée dans le sens horaire (visser) pour augmenter le point de déclenchement ou dans le sens anti-horaire (dévisser) pour réduire le point de déclenchement.

REMARQUE : Un tour complet modifie le réglage d'environ 2 PSIG.

3. Remettre le couvercle en place, reconnecter le bloc d'alimentation et faire démarrer le compresseur.
4. Prendre note de la valeur de pression à laquelle le compresseur atteint le point de déclenchement.
5. Effectuer de nouveau la procédure de réglage au besoin.

Réglage de plage de pressostat.



PROCÉDURES DE RÉGLAGE (PRESSOSTAT AVEC COMMANDE DE RÉGLAGE DIFFÉRENTIEL):

1. Enlever le couvercle du pressostat.
2. Régler la pression d'enclenchement à l'aide de l'écrou de réglage de portée. Tourner l'écrou dans le sens horaire (visser) pour augmenter la pression ou dans le sens anti-horaire (dévisser) pour diminuer la pression.

REMARQUE : Un tour complet modifie le réglage d'environ 2 PSIG.

3. Régler la pression de déclenchement à l'aide de la commande de réglage différentiel. Tourner l'écrou de réglage différentiel dans le sens horaire (visser) pour augmenter la pression ou dans le sens anti-horaire (dévisser) pour diminuer la pression.

REMARQUE : Un tour complet modifie le réglage d'environ 2 PSIG.

4. Remettre le couvercle en place, reconnecter le bloc d'alimentation et faire démarrer le compresseur.
5. Prendre note de la valeur de pression à laquelle le dispositif atteint le point de déclenchement.
6. Effectuer de nouveau la procédure de réglage au besoin.

Le différentiel possible minimum est d'environ 20% de la pression de déclenchement. Un différentiel aussi large que possible est recommandé pour éviter les arrêts et démarrages fréquents du dispositif. Prendre note de la valeur de pression de point de déclenchement du compresseur et redéfinir ce point au besoin.

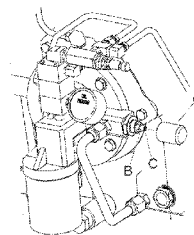
Prendre note de l'interaction entre la portée et les réglages différentiels, c'est-à-dire si le point de déclenchement est augmenté, le différentiel augmente également, ou si le différentiel est réduit, le déclenchement est également réduit, etc. Il faut prendre ces facteurs en considération lors du réglage du pressostat et compenser en conséquence.

RÉGLAGE DE LA PRESSON D'HUILE (MODÈLE 2000P)

Pour les compresseurs à graissage sous pression, il est recommandé de vérifier la pression d'huile à chaque démarrage en observant la pression indiquée au manomètre. La plage de fonctionnement permise est de 15-40 psig. Il arrive que la pression d'huile varie légèrement avec la température, cela est normal. Les compresseurs munis d'un contacteur de bas niveau d'huile en option cessent automatiquement de fonctionner si la pression d'huile diminue en dessous de 10 psig.

La pompe à huile est dotée d'un régulateur de pression réglable qu'il est possible de réinitialiser si les conditions l'exigent. Consulter l'illustration suivante pour de plus amples instructions :

1. À l'aide d'une clé à ouverture variable, enlever le couvercle moleté de la soupape sur le côté droit du boîtier de pompe (A).
2. Desserrer l'écrou de blocage (B) à l'aide d'une clé de 7/16" de façon à ce que la tige filetée (C) puisse tourner librement.
3. À l'aide d'une clé hexagonale de 1/8", effectuer le réglage de la tige filetée. Tourner vers la droite pour augmenter la pression d'huile et tourner vers la gauche pour la diminuer.
4. Lorsque la pression d'huile est réglée, serrer l'écrou de blocage et remettre le couvercle moleté en place.



SYSTÈME DE DÉMARRAGE-DÉLESTAGE

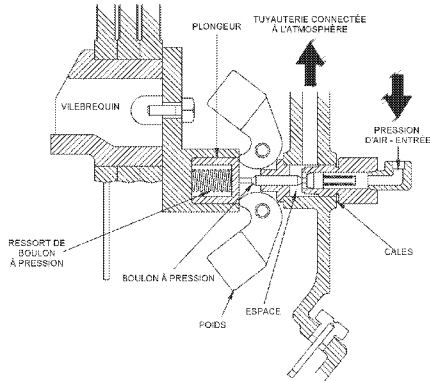
La fonction démarrage-délestage est disponible sur certains modèles. La fonction de ce système est de réduire la pression des cylindres lorsque le dispositif est en arrêt, permettant ainsi de le faire démarrer contre une charge réduite. Une charge réduite augmente la durée de vie du système d'entraînement et des courroies et réduit également la possibilité de déclencher le relais de surcharge. Le système fonctionne de la façon suivante :

Le dispositif de délestage centrifuge est raccordé à l'extrémité du vilebrequin comme l'indique les illustrations suivantes.

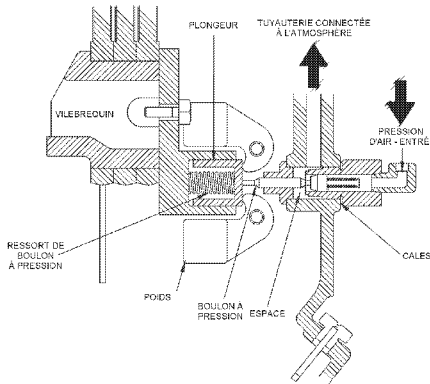
Au démarrage du dispositif, la forge centrifuge agit sur les poids du dispositif de délestage et ceux-ci pivotent vers l'extérieur. Ceci permet au plongeur et au boulon à pression de se déplacer vers l'intérieur et de fermer la soupape pilote. Le chemin d'échappement dans l'atmosphère de la pression du cylindre est maintenant fermé et le compresseur effectue le pompage de l'air normalement.

À l'arrêt du dispositif, le poids se rétracte, permettant ainsi au ressort du boulon de pression de déplacer le plongeur et le boulon de pression vers l'extérieur. Le boulon de pression ouvre la soupape pilote et la pression d'air enfermée s'échappe du cylindre et du refroidisseur intermédiaire à travers un passage dans le couvercle extrémité bâti, à travers le tube de délestage et dans l'atmosphère via le filtre/silencieux d'admission.

Position du poids et du boulon à pression lorsque le dispositif est en marche.



Position du poids et du boulon à pression lorsque le dispositif est en arrêt.

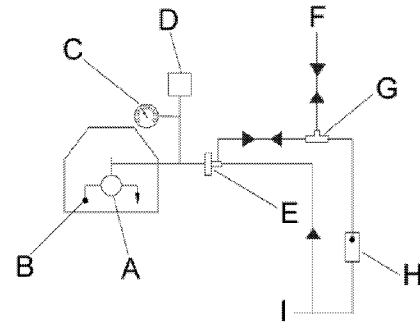


DÉMARRAGE DU SYSTÈME DE DÉLESTAGE (MODÈLES À GRAISSAGE SOUS PRESSION)

Un compresseur à graissage sous pression utilise un dispositif de délestage hydraulique permettant un démarrage à vide. Ce dispositif propose en outre une marche à vide d'urgence dans le cas d'une perte de pression d'huile lors du fonctionnement du compresseur.

Le circuit de délestage hydraulique contourne la soupape auxiliaire (H) afin de diriger l'air directement vers le dispositif de marche à vide lorsque la pression d'huile est nulle. Ce circuit est contrôlé par la soupape hydraulique de marche à vide (E), une soupape normalement ouverte qui se ferme lorsque la pression d'huile augmente. Lors du fonctionnement du compresseur, la pression d'huile maintient fermée la soupape hydraulique de marche à vide. Le dispositif de marche à vide est actionné par le distributeur auxiliaire.

En cas de perte de pression d'huile, causée par un arrêt du compresseur ou par un problème de graissage alors que le compresseur est en marche, la soupape hydraulique de marche à vide s'ouvre, actionnant ainsi le dispositif de marche à vide (F). Cette action aura pour effet soit de purger le compresseur en arrêt pour le préparer au prochain démarrage, soit de relâcher la charge de compression afin de minimiser les dégâts lors d'une perte de pression d'huile pendant l'exploitation du compresseur.



A = Pompe à l'huile

B = Filtre à l'huile

C = Manomètre à l'huile

D = Interrupteur à pression d'huile

E = Soupape de délestage hydraulique

F = Dispositifs de délestage de tête

G = Sélecteur de circuit

H = Soupape auxiliaire

RÉGLAGE DE LA SOUPAPE PILOTE

Si la conduite de soupape pilote est excessivement chaude, cela indique probablement que la soupape pilote fuit et que des réglages sont nécessaires.

Pour effectuer le réglage de la soupape pilote, procéder comme suit :

1. Mettre le dispositif en arrêt puis déconnecter et étiqueter le disjoncteur principal de l'alimentation électrique pour empêcher tout démarrage accidentel.
2. Enlever le tube de la soupape pilote ainsi que les raccords de tuyauterie.
3. Enlever le boîtier de soupape pilote ainsi que les cales existantes.
4. Visser de nouveau le boîtier de soupape pilote dans le couvercle extrémité boîtier (sans aucune cale) jusqu'au contact avec le boulon à pression. Faire avancer le boîtier de soupape pilote de 1/4 à 1/2 tour de plus.

Si le contact avec le boulon à pression n'est pas effectué, il sera peut-être nécessaire d'effectuer la procédure suivante pour localiser le point de contact :

1. Insérer un petit objet (poinçon, tige, clou, etc.) dans l'extrémité de la soupape pilote jusqu'au contact avec la tige de soupape.
2. Avec l'objet toujours inséré dans la soupape de pilote, faire une marque sur l'objet à l'endroit où il croise le rebord extérieur du boîtier de soupape pilote.
3. Tout en gardant l'objet appuyé légèrement contre la tige de soupape, visser le boîtier de soupape pilote dans le couvercle extrémité bâti. Lorsque la marque sur l'objet commence à s'éloigner du rebord du boîtier de soupape de pilote, le contact avec le boulon à pression a été effectué.
4. Faire avancer le boîtier de soupape pilote de 1/4 à 1/2 tour de plus et procéder à l'étape 5.
5. Mesurer l'espace entre le boîtier de soupape pilote et le couvercle extrémité bâti.
6. Enlever le boîtier de soupape pilote et caler suffisamment pour remplir l'espace mesuré à l'étape 5.
7. Visser de nouveau le boîtier de soupape pilote dans le couvercle extrémité bâti jusqu'à ce que le boîtier soit bien serré entre les cales.
8. Raccorder le tube de la soupape pilote ainsi que les raccords de tuyauterie.

DÉRIVATION DE RENIFLARD/DISPOSITIF DE DÉLESTAGE

La conduite de dérivation du reniflard/dispositif de délestage élimine les remontées de pression d'air dans le bâti du compresseur en permettant à l'air de s'échapper via le dispositif de délestage d'admission (si

ouvert) ou (si fermé) via la soupape à clapet, contournant ainsi le dispositif de délestage d'admission pour s'échapper finalement dans l'atmosphère via le filtre/silencieux d'admission.

VÉRIFICATION DE LA CONSOMMATION D'HUILE

Une règle simple pour vérifier la consommation d'huile est de considérer qu'une consommation à ou supérieure à 50 HP par heure par once est acceptable.

La formule est comme suit :

$$\frac{\text{Cheval vapeur} \times \text{Heures de fonctionnement}}{\text{Onces d'huile utilisées}} = \text{Cheval vapeur-heure par once}$$

Pour l'application de cette formule, considérez la taille de la machine. Dans l'exemple suivant, un compresseur de 5 HP utilise 2 onces d'huile pour chaque 20 heures de fonctionnement.

$$\frac{5 \text{ Cheval vapeur} \times 20 \text{ heures de fonctionnement}}{2 \text{ onces d'huile utilisées}} = 50 \text{ Cheval vapeur-heure par once}$$

Le compresseur dans cet exemple passe le test de consommation d'huile.

REMARQUE Une pompe de compresseur neuve ou reconditionnée écoulera une quantité d'huile plus élevée qu'à l'ordinaire jusqu'à ce que les segments de piston soient bien assis (environ 100 heures de fonctionnement).

ENTRETIEN

△ MISE EN GARDE Avant d'effectuer l'entretien, relâcher la pression d'air du circuit puis couper, bloquer et identifier l'alimentation principale ou déconnecter le fil de la bougie d'allumage du moteur.

REMARQUE Tous les systèmes d'air comprimé comportent des éléments (par ex. l'huile lubrifiante, les filtres, les séparateurs) qui sont remplacés périodiquement. Ces éléments peuvent être ou peuvent contenir des substances réglementées qui doivent être éliminées en conformité avec les lois et les règlements en vigueur au niveau municipal, provincial et fédéral.

REMARQUE Lors du démontage, prendre note de la position et de l'emplacement des pièces afin de faciliter leur assemblage éventuel. Les séquences d'assemblage ainsi que les pièces figurant dans les illustrations peuvent ne pas correspondre à votre appareil.

REMARQUE Tout entretien ne figurant pas dans la présente section doit être effectué par un agent d'entretien autorisé.

REMARQUE Consulter le manuel de l'utilisateur du moteur pour de plus amples informations sur son entretien.

REMARQUE Le programme d'entretien suivant a été développé pour une application type. La fréquence des entretiens devra augmenter dans des conditions plus difficiles.

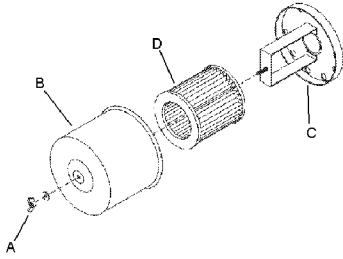
PROGRAMME D'ENTRETIEN

Tous les jours ou avant chaque mise en marche	<ul style="list-style-type: none"> ● Vérifier s'il y a des fuits d'huile. ● Vérifier le niveau de lubrifiant. Remplir au besoin. ● Vidanger le condensat du réservoir (si un dispositif de vidange automatique n'est pas fourni). Ouvrir la soupape de vidange manuelle, capter le condensat et l'éliminer de la manière appropriée. ● Vérifier si l'appareil émet un bruit ou des vibrations inhabituels. ● S'assurer que les carters de courroie et les couvercles sont fixés solidement en place. ● S'assurer que le moteur (s'il est fourni) contient suffisamment de carburant et de lubrifiant selon les recommandations du fabricant. ● S'assurer que l'espace autour du compresseur ne comporte pas de chiffons, d'outils, de débris et de matières inflammables ou explosives. ● Vérifier la pression d'huile du système lorsque le compresseur est chaud sur les modèles à graissage sous pression.
Une fois par semaine	<ul style="list-style-type: none"> ● Observer le fonctionnement des soupapes de sûreté/décharge avec le compresseur en marche. Remplacer toute soupape de sûreté/décharge ne fonctionnant pas librement. ● Inspecter les éléments de filtre à air. Les nettoyer au besoin.
Une fois par mois	<ul style="list-style-type: none"> ● Vérifier s'il y a des fuites d'air. Asperger de l'eau savonneuse autour des joints pendant que le compresseur est en marche et vérifier si des bulles se forment. ● S'assurer que les vis et les boulons sont bien serrés. Les serrer au besoin. ● Inspecter les courroies d'entraînement. Les ajuster au besoin. ● Nettoyer l'extérieur.
3/500 *	<ul style="list-style-type: none"> ● Vidanger le lubrifiant à base de pétrole pendant que le carter principal est encore tiède.
6/1000 *	<ul style="list-style-type: none"> ● Vidanger l'huile du compresseur et nettoyer ● Remplacer l'élément filtrant et vidanger le lubrifiant (si nécessaire) sur les modèles de lubrification à pression.
12/2000 *	<ul style="list-style-type: none"> ● Installer la trousse d'entretien — ou — ● Vidanger le lubrifiant synthétique pendant que le carter principal est encore tiède. ● Remplacer l'élément filtrant.

* indique le nombre de mois ou d'heures de fonctionnement, selon la première éventualité.

INSPECTION ET NETTOYAGE DES FILTRES

1. Dévisser et retirer l'écrou à ailettes (A) qui tient le capot du filtre (B) en place sur la base (C).
2. Détacher le capot du filtre et retirer l'élément filtrant (D). Nettoyer l'élément avec un jet d'air sous pression ou un aspirateur.
3. Remettre en place l'élément filtrant et le capot du filtre et fixer-le avec l'écrou à ailettes.



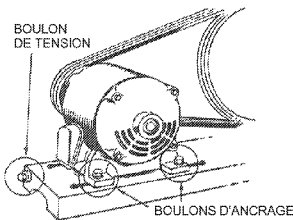
VIDANGE D'HUILE

1. Ouvrir le bouchon de vidange d'huile (A) et laisser le lubrifiant s'écouler dans un contenant propice.
2. Refermer le bouchon de vidange d'huile.
3. Suivre les directives de remplissage de la section MODE D'EMPLOI.

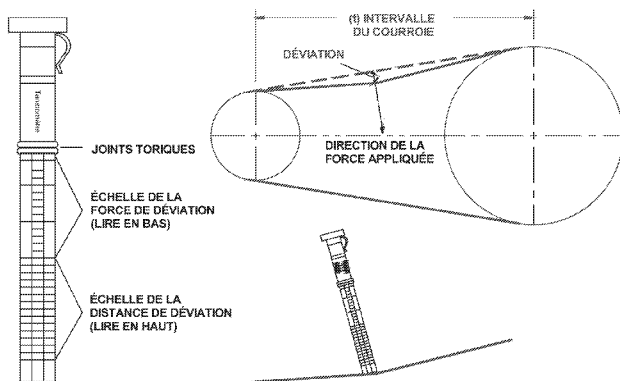
AJUSTEMENT DE LA COURROIE

VÉRIFICATION DE LA TENSION. Vérifier occasionnellement la tension de la courroie, particulièrement si elle semble lâche. Effectuer le réglage de la tension des nouvelles courroies lors de leur installation.

TENSIONNEMENT D'UNE COURROIE. Pour effectuer le réglage de la tension d'une courroie, dévisser les boulons d'ancrage du moteur, puis écarter le moteur de la pompe en le glissant le long de la base, pour ensuite serrer à nouveau les boulons. Certains dispositifs sont munis d'une vis de tension de courroie qui lorsque vissée, fait sortir le moteur de la pompe. Le moteur se déplace facilement en plaçant un levier dessous. Il est également possible de se procurer dans le commerce une barre d'écartement ou autre dispositif de tension de courroie.



Suivre les procédures décrites ci-dessous pour déterminer et mesurer correctement la tension des courroies des modèles à moteur électrique ou à essence y compris 2340, 2475 et 2545 (avec type de courroie "A" seulement). Consulter l'illustration suivante pour une représentation visuelle.



1. Déposer une règle le long de la surface supérieure extérieure de la courroie, entre la poulie motrice et le volant.
2. À mi-chemin entre les deux et perpendiculairement à la courroie, jauger la pression à la surface extérieure de la courroie en y appuyant un dynamomètre de tension. Forcer la courroie à la valeur de déflexion indiquée dans la TABLE DE TENSION DE COURROIE sous la rubrique DIAGRAMMES & TABLEAUX. Comparer la tension lue sur l'instrument à celle qui figure au tableau.

Suivre les procédures décrites ci-dessous pour régler et mesurer correctement la tension sur les modèles de 7,5 à 30 HP 2545, 7100, 15T et 2000 munis de types de courroie "B" et "C".

1. Mesurer la longueur de portée (t) du dispositif.
2. Déterminer la valeur de déflexion (en pouces) requise pour mesurer la force de déflexion (en livres) en multipliant la longueur de portée (t) par 1/64. Par exemple, une longueur de portée de 32" multipliée par 1/64 est égale à 1/2" de la déflexion requise pour la mesure de la force de déflexion.
3. Déposer une règle le long de la surface supérieure extérieure de la courroie, entre la poulie motrice et le volant.
4. À mi-chemin entre les deux et perpendiculairement à la courroie, jauger la pression à la surface extérieure de la courroie en y appuyant un dynamomètre de tension. Forcer la courroie à la déflexion prédéterminée calculée à l'étape 2. Comparer la tension lue sur l'instrument avec la TABLE DE TENSION DE COURROIE sous la rubrique DIAGRAMMES & TABLEAUX.

Avant de faire démarrer le compresseur, assurer l'alignement exact du centre des rainures de la poulie motrice et du volant ainsi que le serrage des boulons d'ancrage du moteur.

⚠ ATTENTION Un alignement incorrect de la poulie et du volant ou un tensionnement inadéquat de la courroie pourrait entraîner une surcharge du moteur, des vibrations excessives et un bris prématuré de la courroie ou du palier.

Afin de prévenir ces problèmes, s'assurer, après avoir installé une nouvelle courroie ou tensionné une courroie existante, que la poulie et le volant sont bien alignés et que la tension de la courroie est adéquate.

INSPECTION DU RÉSERVOIR

La longévité du réservoir dépend de plusieurs facteurs, y compris, sans s'y restreindre, les conditions d'exploitation, le milieu ambiant et le niveau d'entretien. L'effet exact propre à chacun de ces facteurs est difficile à juger ; voilà pourquoi IngersollRand vous recommande de prévoir une inspection agréée du réservoir dans les cinq premières années de service du compresseur. Pour effectuer une inspection du réservoir, communiquer avec Ingersoll-Rand.

Un réservoir qui n'a pas subi d'inspection au cours des 10 premières années de service du compresseur doit être retiré du service jusqu'à ce qu'il ait été inspecté. Un réservoir qui ne répond pas aux normes doit être remplacé.

⚠ MISE EN GARDE

Si un réservoir rouillé n'est pas remplacé, il risque d'éclater ou d'exploser, entraînant la possibilité de dommages importants, de blessures graves ou même de décès. Ne jamais modifier ou réparer un réservoir : obtenir un réservoir de rechange dans un centre de service.

DÉPANNAGE

PROBLÈME	POINT DE CONTRÔLE
Usure anormale des pistons, des segments ou des cylindres	4, 8, 9, 19, 28, 35
Chute du débit d'air	1, 6, 15, 16, 18, 19, 29
Soupape de purge automatique qui coule ou ne se vidange pas automatiquement	16
Soupape auxiliaire qui vibre ou qui fuit au niveau de la tige	23, 24
Tuyaux de refroidisseur secondaire ou de refroidisseur intermédiaire défectueux	36
Le compresseur n'atteint pas sa vitesse de marche	2, 6, 12, 15, 21
Le compresseur met trop de temps à atteindre sa vitesse de marche	26, 27, 33, 34
Le compresseur devient extrêmement chaud	3, 14, 15, 22
Le compresseur n'effectue pas son cycle de délestage	23, 24, 26
Le compresseur n'effectue pas de délestage en position d'arrêt	26, 33
Bruit excessif à l'usage	2, 6, 15, 16, 21, 27, 32
Arrêts et démarrages trop fréquents	5, 11, 16, 32, 40
Cognements ou cliquetis	2, 15, 17, 19, 20, 21
Les voyants clignotent ou s'affaiblissent lors du fonctionnement	12, 13
Humidité dans le carter principal ou aspect laiteux du lubrifiant à base de pétrole ou rouille dans les cylindres	9, 10
Surcharge du moteur se déclenche ou tire un courant excessif	5, 6, 12, 13, 14, 15, 16, 19, 20, 21, 34
De l'huile dans l'air de refoulement (pompage d'huile)	4, 7, 9, 18, 19, 25, 35
Fuite du joint d'huile	25
La soupape de sûreté/décharge crépète	1, 5, 29, 30
Pression intermédiaire élevée	30
Pression intermédiaire basse	31
Moteur démarre lentement ou ne démarre pas du tout	6, 14, 37, 38
Moteur ne démarre pas	12
Moteur ne démarre pas	39
Fuites d'huile	41
Pression basse de l'huile	42, 43, 44, 46
Fluctuations excessives de la pression d'huile (> 5 psi)	42, 43, 44, 45, 46

POINT	CAUSE POSSIBLE	SOLUTION POSSIBLE
CONTR.		
1	Filtre sale à l'aspiration et/ou au refoulement.	Nettoyer ou remplacer.
2	Poulie motrice ou volant de courroie mal serré, trop de jeu dans l'arbre moteur ou courroies d'entraînement lâches.	Vérifier le volant, la poulie motrice, le vilebrequin, la tension et l'alignement de la courroie d'entraînement. Réparer ou remplacer au besoin.
3	Ventilation insuffisante autour du volant de la courroie.	Déplacer le compresseur pour un débit d'air amélioré.
4	Viscosité trop faible du lubrifiant.	Vidanger le lubrifiant actuel et le remplacer par un lubrifiant qui convient.
5	Fuites d'air dans les canalisations de refoulement.	Vérifier les tubes et les raccords. Serrer les joints ou remplacer au besoin.
6	Viscosité trop élevée du lubrifiant.	Vidanger le lubrifiant actuel et le remplacer par un lubrifiant qui convient.
7	Viscosité trop élevée du lubrifiant.	Vidanger le lubrifiant en excès.
8	Niveau de lubrifiant trop faible.	Verser du lubrifiant dans le carter principal jusqu'au niveau requis.
9	Le lubrifiant utilisé est du type à détergent.	Vidanger le lubrifiant actuel et le remplacer par un lubrifiant qui convient.
10	Cycles de marche extrêmement légers.	Faire fonctionner le compresseur par cycles plus longs.
11	Le compresseur est situé dans un lieu humide. Différentiel du pressostat trop étroit.	Déplacer le compresseur ou installer une trousse de chauffage du carter principal. Ajuster le pressostat pour augmenter le différentiel, si l'ajustage du différentiel est possible. Installer un pressostat avec une fonctionnalité d'ajustage du différentiel, si l'ajustage du différentiel est souhaité.
12	Tension de ligne inadéquate. Câblage ou panneau de service électrique trop petit. Mauvais contact sur les bornes du moteur ou mauvaises connexions du démarreur. Mauvais réchauffeurs de surcharge du démarreur.	Check line voltage and upgrade lines as required. Contact electrician. Installer un fil ou boîte de service proprement dimensionné. Contacter un électricien. Assurer un contact adéquat sur les bornes du moteur ou les connexions du démarreur. Installer des réchauffeurs de surcharge de démarreur adéquats. Contacter un électricien.
13	Mauvaise régulation de puissance (ligne déséquilibrée).	Contacteur la compagnie d'électricité.
14	Courroies d'entraînement trop lâches ou mal alignées.	Ajuster les courroies pour leur donner la tension et l'alignement qui convient.
15	Fuites, bris ou accumulation de calamine dans les soupapes du compresseur.	Inspecter les soupapes. Les nettoyer ou les remplacer au besoin. Installer une trousse d'entretien rapide de soupape/joint.
16	Robinet de purge automatique encrassé, qui fuit ou qui est défectueux.	Inspecter le robinet et nettoyer, réparer ou remplacer au besoin.
17	Accumulation de calamine sur le fond des pistons.	Nettoyer les pistons. Réparer ou remplacer..
18	Segments de pistons endommagés ou usés (cassés, rugueux ou égratignés). Coupe ou dégagement latéral trop grand. Les segments sont hors de leur logement ou coincés dans leurs gorges ou leurs coupes ne sont pas décalées.	Installer une trousse d'entretien rapide de segment/joint. Ajuster les segments.
19	Les cylindres ou les pistons sont égratignés, usés ou entaillés.	Réparer ou remplacer au besoin.
20	Une bielle, un axe de piston ou des coussinets du maneton sont usés ou entaillés. Bague d'espacement desserrée sur le vilebrequin.	Tout inspecter. Réparer ou remplacer au besoin. Installer une trousse d'entretien rapide de coussinet/bielle.
21	Paliers à billes défectueux sur le vilebrequin ou l'arbre moteur.	Inspecter les coussinets et remplacer au besoin. Installer une trousse d'entretien rapide de coussinet/bielle.
22	Direction de rotation du volant à contre-voie.	Vérifier le câblage du moteur pour des connexions adéquates. Inverser deux conducteurs sur les moteurs triphasés.
23	Pièces du dispositif de délestage d'admission qui fuient ou qui sont cassées ou usées.	Inspecter les pièces et remplacer au besoin.
24	Distributeur auxiliaire encrassé ou sièges usés.	Inspecter les pièces. Les nettoyer, les ajuster ou les remplacer au besoin.
25	Le joint d'huile est usé ou le vilebrequin est entaillé.	Remplacer le joint. Installer une chemise d'arbre au besoin. Installer une trousse d'entretien rapide de coussinet/bielle.
26	Soupape pilote centrifuge qui fuit ou est mal réglée.	Remplacer le joint torique de soupape pilote. Régler la soupape pilote.
27	Fuite de la soupape de sûreté ou siège de soupape usé.	Remplacer la soupape de sûreté.
28	Atmosphère chargée de poussières.	Installer une canalisation d'aspiration à distance et l'acheminer vers une source d'air propre. Installer un système de filtration plus efficace.
29	Soupape de sûreté/décharge défectueuse.	Remplacer.
30	Soupape d'admission haute pression qui fuit.	Inspecter, nettoyer ou réparer au besoin.
31	Soupape de refoulement basse pression qui fuit.	Inspecter, nettoyer ou réparer au besoin.
32	Mode de démarrage et d'arrêt automatique n'est pas adéquat pour la demande d'air.	Régler le soupape auxiliaire pour un fonctionnement à vitesse constante.
33	Le dispositif de délestage du pressostat fuit ou est défectueux.	Réaligner la tige ou remplacer.
34	La température de l'air ambiant est trop faible.	Installer une trousse de chauffage du carter principal. Utiliser le lubrifiant All Season T30 Select. Déplacer le compresseur dans un lieu plus chaud.
35	Paroi de cylindre usée.	Roder le cylindre à l'aide d'un rodoir flexible de 180 grains
36	Volant déséquilibré, tuyaux non ceinturés ou non attachés, mauvaise vitesse de poulie.	Vérifier le niveau de vibration, changer la poulie ou le volant au besoin, serrer les colliers de tuyau.
37	Moteur mis à la terre incorrectement.	Connecter la batterie à la masse du moteur tel que recommandé.
38	Essence dépassant le temps d'entreposage ou contenant de l'eau.	Remplacer le carburant, ajouter un stabilisateur de carburant.
39	Pas de carburant dans le réservoir. Soupape de carburant fermée. Pression d'huile basse.	Consulter les instructions du fabricant pour le ravitaillement en carburant. Ouvrir la soupape de carburant. Consulter les instructions du fabricant.
40	Trop de condensat dans le réservoir.	Vidanger le réservoir à l'aide de la soupape de vidange manuel ou installer une soupape de vidange automatique.
41	Raccords/coudes/connecteurs desserrés	Resserrer les raccords au couple spécifié
42	Soupape de régulation de pression d'huile mal réglée ou défectueuse	Effectuer le réglage de la soupape Remplacer la soupape de régulation
43	Soupape hydraulique de marche à vide mal réglée ou défectueuse	Remplacer les soupapes hydrauliques de marche à vide
44	Manomètre d'huile défectueux	Remplacer le manomètre
45	Mousse d'huile dans le carter	Vidanger le lubrifiant, bien nettoyer le carter, remettre du lubrifiant
46	Débris ou autres obstacles bloquant la circulation d'huile	Inspecter/nettoyer tous les passages d'huile

DIAGRAMMES ET TABLEAUX

TABLEAU DE COUPLE DE TORSION

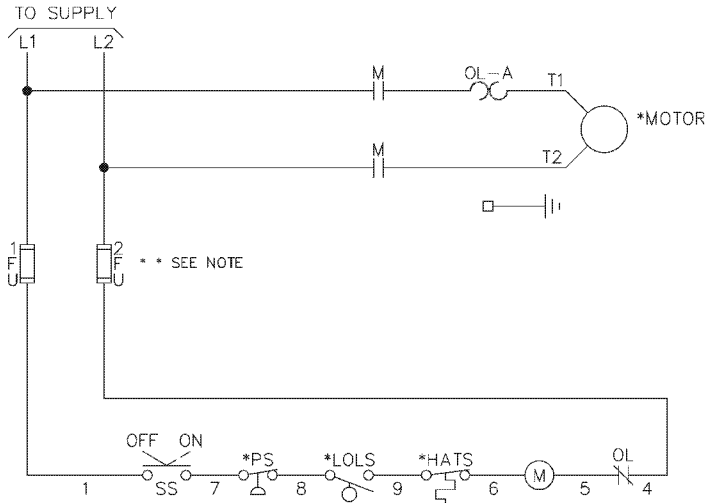
	2340	2475	2545	7100	2000 & 2000P
Boulons à tête haute pression	75	75	75	75	120
Boulons à tête basse pression	75	75	75	75	120
Boulons de bride de vérin	30	50	50	50	50
Boulons de couvercle de bâti	17	17	17	20	20
Boulons de couvercle de palier	17	17	17	20	50
Vis à tête cubique de maneton	5,5	11	11	12-15	—
Vis de couvercle de dispositif de délestage	—	—	11	11	—
Vis de soupape d'admission haute pression	11-15 LB-PO	11-15 LB-PO	11-15 LB-PO	5,5	36 LB-PO
Vis de soupape d'admission basse pression	11-15 LB-PO	25-30 LB-PO	25-30 LB-PO	5,5	36 LB-PO
Vis de soupape d'évacuation haute pression	11-15 LB-PO	11-15 LB-PO	11-15 LB-PO	26	36 LB-PO
Vis de soupape d'évacuation basse pression	25-30 LB-PO	25-30 LB-PO	25-30 LB-PO	26	36 LB-PO
Boulon de volant	33	60	60	113	80
Boulons à tête de centrage haute pression	—	—	10	—	—
Boulons à tête de centrage basse pression	—	—	14-16	—	—
Vis de montage de guide de dispositif de délestage	—	—	—	—	25
Vis de déflecteur de contacteur de bas niveau d'huile	—	—	—	—	5
Écrous borgnes à tête de centrage	—	—	—	—	7
Soupape pilote	—	—	—	—	25
Corps de dispositif de délestage	—	—	—	—	25
Boulons de corps de palier/dispositif de délestage	—	—	—	—	25
Goujons de plaque porte-soupape	—	—	—	—	7

TABLEAU DE TENSION DE COURROIE

MODÈLE	DÉFLEXION (PO.)	TENSION (LB.)	TYPE DE COURROIE	TENSION À UNE DÉFLEXION DE 1/64" PAR POUCE DE PORTÉE	
				CHEVAL	
2340 (14" Span)	0,25	4,9 - 7,1			
2340 (19" Span)	0,29	4,9 - 7,1			
2475 (14" Span)	0,25	4,9 - 7,1	B	7,5	7,0 - 10,0
2475 (19" Span)	0,29	4,9 - 7,1		10-15	8,0 - 12,0
2475F/X11GH	0,34	5,5 - 8,0	C	20	12,0 - 18,0
2475F/X9/11GK	0,25	11,25 - 13,0		25-30	14,0 - 21,0
2475N5 (14,5" Span, Cogged belt)	0,23	4,5 - 6,5	5V	25-30	
2545 (A Groove)	0,29	4,9 - 7,1			

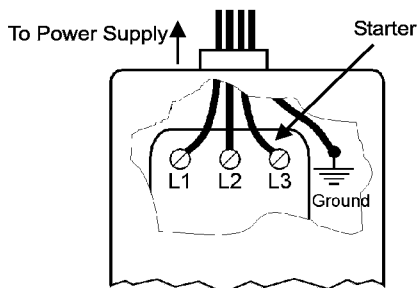
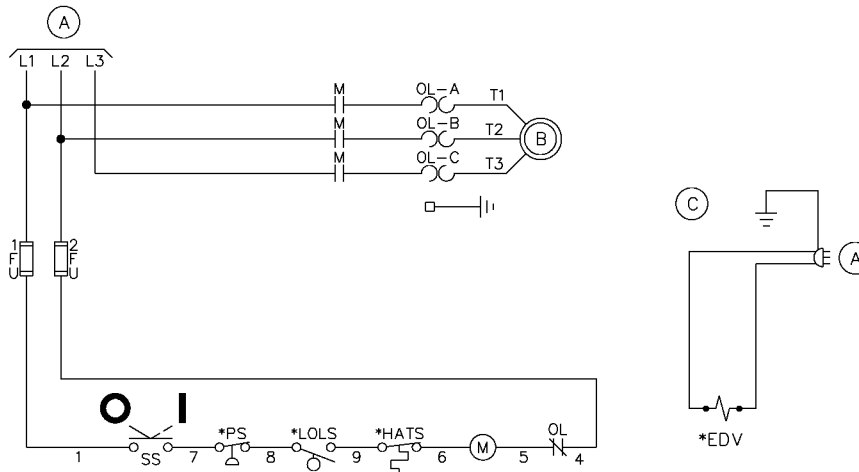
DIAGRAMMES DES CÂBLES ÉLECTRIQUES

Câblage monophasé



A	À l'alimentation
C	Câblage pour la soupape de drainage électrique en option
EDV	Soupape de drainage électrique
T	Borne de ligne d'alimentation
L	Borne de charge
FU	Fusible de circuit de commande
CHTA	Contacteur haute température d'air (#)
CBNH	Contacteur bas niveau d'huile (#)
M	Bobine de démarreur
OL	Surcharge de bobine de démarreur
PS	Pressostat
SS	Sélecteur (#)
*	Câblage de remplacement pour la conversion d'un démarrage triphasé à une application monophasée
(#)	= si fourni

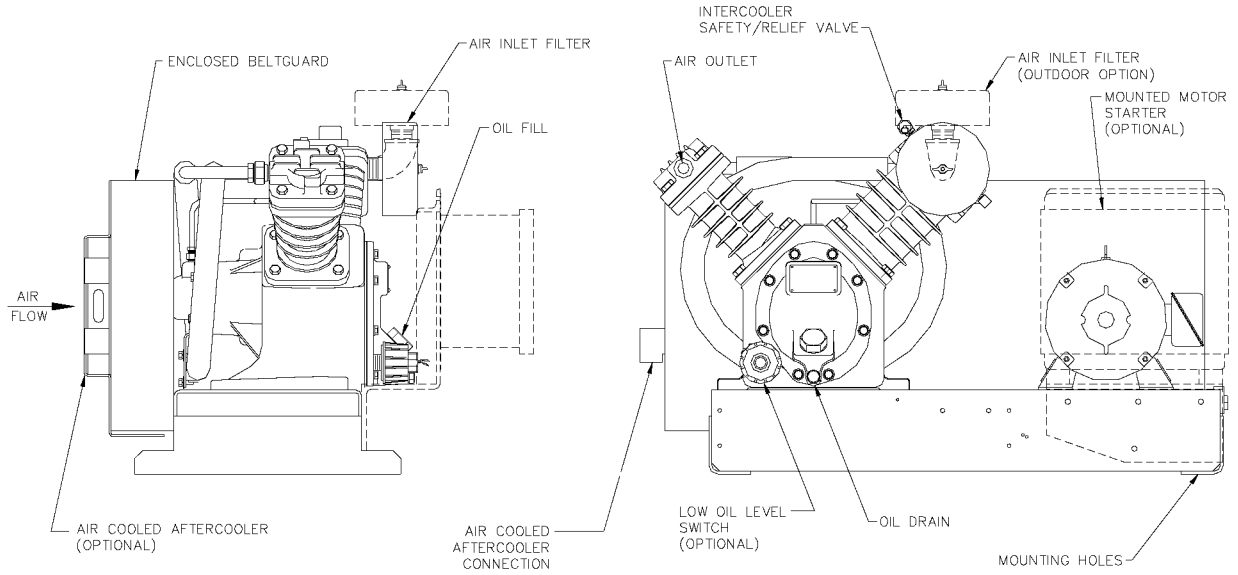
Câblage triphasé



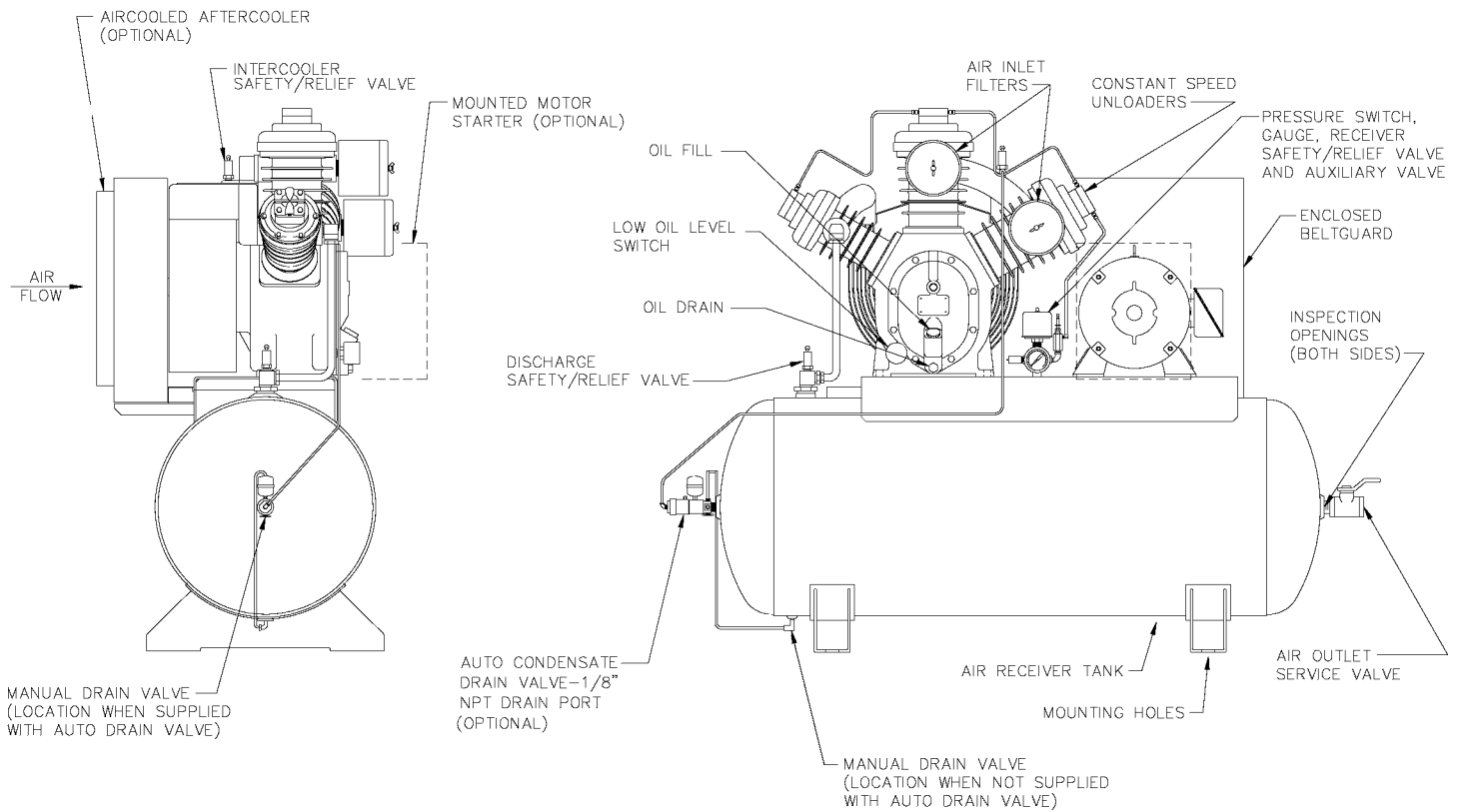
REMARQUE Sur les dispositifs nécessitant un démarreur, raccorder la ligne électrique au démarreur et non au pressostat.

- Connecter le fil de masse à la borne de mise à la masse
- utilisé pour moteurs et démarreurs triphasés seulement

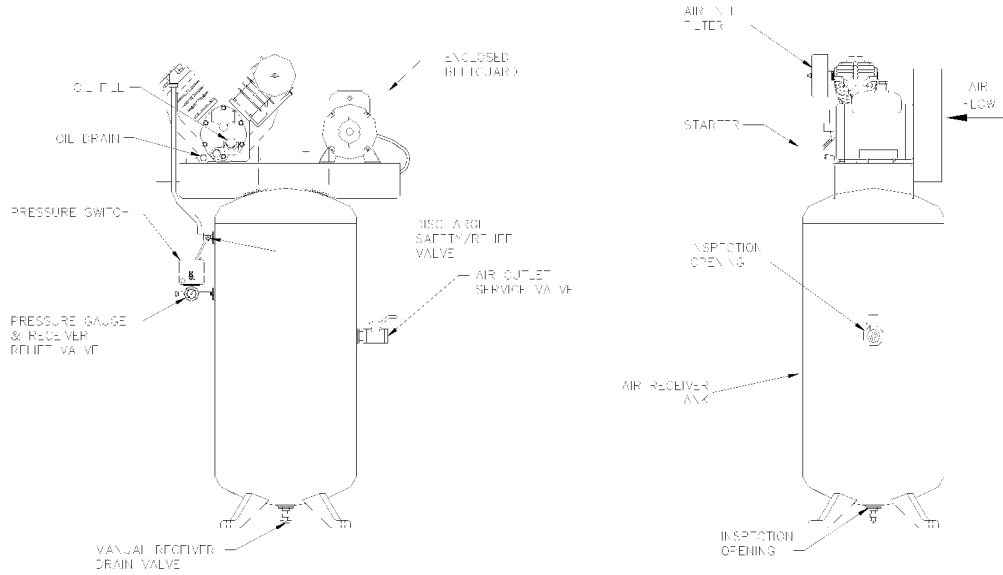
Dispositif typique à plaque de base



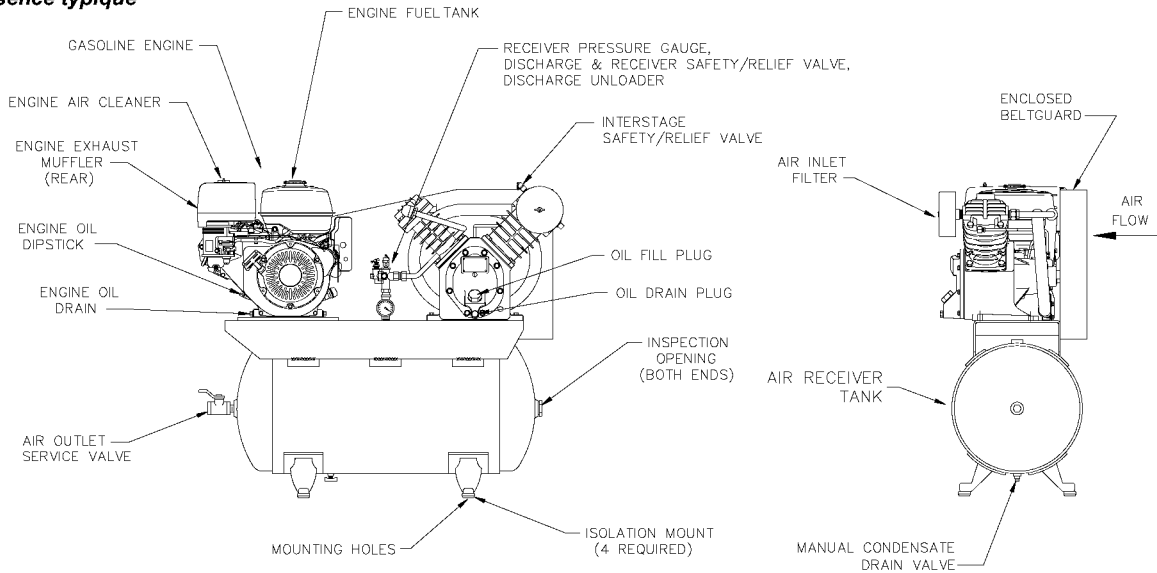
Dispositif simplex horizontal typique



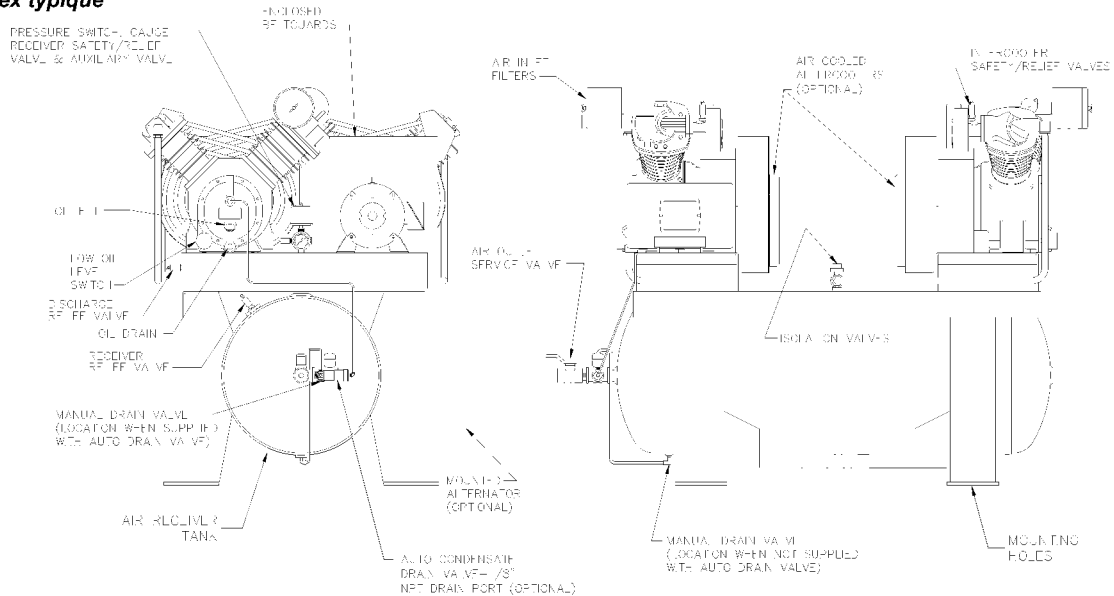
Dispositif simplex vertical typique



Moteur à essence typique



Dispositif duplex typique



GARANTIE

La société Ingersoll-Rand garantit que l'équipement fabriqué et livré par les présentes ne comporte aucun défaut de matériel ou de malfaçon et ce pendant une période douze (12) mois à partir de la date de mise en service de l'équipement ou de dix-huit (18) mois à partir de la date de livraison, selon la première éventualité. Cette période de garantie s'appliquera à tout équipement, sauf les suivants : (A) dans le cas de compresseurs fonctionnant exclusivement avec le lubrifiant synthétique All Season T30 Select, le châssis nu du compresseur sera garanti pendant une période de vingt-quatre (24) mois à partir de la date de mise en service de l'équipement ou de trente (30) mois à partir de la date de livraison, selon la première éventualité. (B) les pièces de rechange seront garanties pendant six (6) mois à partir de la date de livraison. Si la société est avisée par écrit d'une violation des dispositions de la présente garantie à l'intérieur de la période requise, alors la société s'engage, à son gré, à y remédier soit en réparant correctement l'équipement, soit en fournissant une pièce de rechange FAB du point d'origine, pourvu que l'acheteur ait installé, exploité et entretenu l'équipement conformément aux pratiques acceptées de l'industrie et qu'il ait suivi les recommandations particulières de la société. Les accessoires et les équipements fournis par la société mais fabriqués par un tiers seront protégés par la garantie obtenue du tiers par Ingersoll-Rand et ayant pu être cédée à l'acheteur. La société ne sera en aucun cas tenue responsable des réparations, des remplacements ou des réglages effectués à l'équipement ou du coût de main-d'œuvre engagé par l'acheteur sans l'autorisation écrite préalable de la société.

La société ne fait aucune garantie quant à la performance, exception faite des déclarations particulières faites dans sa proposition. Les effets de la corrosion, de l'érosion ainsi que de l'usure normale sont explicitement exclus des protections assurées par la garantie. Si des garanties de performance ont été explicitement incluses, alors les obligations de la société seront limitées à assurer un correctif de la manière et durant la période précisées ci-dessus.

LA SOCIÉTÉ NE FAIT AUCUNE AUTRE GARANTIE OU DÉCLARATION DE QUELQUE SORTE QUE CE SOIT, DE NATURE IMPLICITE OU EXPLICITE, SAUF EN CE QUI CONCERNE LE TITRE, ET ELLE RENONCE PAR LES PRÉSENTES À TOUTE GARANTIE IMPLICITE DE QUALITÉ LOYALE ET MARCHANDE.

La correction par la société de tout vice, qu'il soit apparent ou caché, de la manière et pendant la période établie ci-dessus, constituera l'accomplissement de toutes les responsabilités de la société et de ses distributeurs en vertu de tout vice qui concerne l'équipement ou qui en découle.

LIMITATION DE RESPONSABILITÉ

LES RECOURS DE L'ACHETEUR EN VERTU DE LA PRÉSENTE SONT EXCLUSIFS ET LA RESPONSABILITÉ TOTALE DE LA SOCIÉTÉ, DE SES DISTRIBUTEURS ET DE SES FOURNISSEURS EN CE QUI CONCERNE L'EXÉCUTION OU LA VIOLATION DU CONTRAT OU DE L'ÉQUIPEMENT ET DES SERVICES FOURNIS, OU EN CE QUI CONCERNE LA FABRICATION, LA VENTE, LA LIVRAISON, L'INSTALLATION, LA RÉPARATION OU LA DIRECTION TECHNIQUE PRÉVUE AU CONTRAT OU FOURNIE EN VERTU DE CE DERNIER, QUE CE SOIT EN VERTU D'UN CONTRAT, D'UNE GARANTIE, DE LA NÉGLIGENCE, D'UNE INDEMNISATION, DE LA RESPONSABILITÉ STRICTE OU AUTREMENT, NE POURRA PAS DÉPASSER LE PRIX D'ACHAT DE L'UNITÉ D'ÉQUIPEMENT SUR LAQUELLE LA RESPONSABILITÉ EST FONDÉE.

LA SOCIÉTÉ, SES DISTRIBUTEURS ET SES FOURNISSEURS NE SERONT DANS AUCUNE ÉVENTUALITÉ TENUS RESPONSABLES ENVERS L'ACHETEUR, SES AYANTS DROIT, SES BÉNÉFICIAIRES OU SES CESSIONNAIRES EN VERTU D'UN CONTRAT DES DOMMAGES-INTÉRÊTS INDIRECTS, ACCESSOIRES, FORTUITS, PARTICULIERS OU EXEMPLAIRES SURVENANT EN VERTU DU PRÉSENT CONTRAT OU DE SA VIOLATION OU D'UN DÉFAUT, D'UNE DÉFECTUOSITÉ OU D'UNE ANOMALIE DE L'ÉQUIPEMENT, QU'ILS SOIENT FONDÉS SUR LA PERTE DE JOUISSANCE, LA PERTE DE PROFITS OU DE REVENUS, L'INTÉRÊT, LA PERTE D'ACHALANDAGE, L'ARRÊT DU TRAVAIL, LES DOMMAGES À D'AUTRES BIENS, LES PERTES EN RAISON D'UN ARRÊT DE FONCTIONNEMENT, L'ACCROISSEMENT DES DÉPENSES D'EXPLOITATION, LE COÛT D'ACHAT D'UNE ALIMENTATION DE RECHANGE OU LES RÉCLAMATIONS DE CLIENTS OU D'ACHETEURS DE CLIENTS EN RAISON D'UNE INTERRUPTION DE SERVICE, PEU IMPORTE QUE TELLE PERTE OU QUE DE TELS DOMMAGES SOIENT FONDÉS SUR UN CONTRAT, UNE GARANTIE, UNE NÉGLIGENCE, UNE INDEMNITÉ, UNE RESPONSABILITÉ STRICTE OU AUTREMENT

Questions ? Pièces ? Service ?

1-800 AIR SERV

Visiter notre site web à :
www.air.ingersoll-rand.com

