

# MAAX SUBMITTAL SPECIFICATIONS

## Loft 6030 (IFS)

MODEL NUMBER 105455

DIMENSIONS: 60" x 30" x 21" Acrylic



Vivez l'expérience

# MAAX®

Enjoy the experience

### STANDARD FEATURES

- Unique feature: minimalist look with discreet armrests and textured bottom
- 3" Above-the-Floor Rough: pipe directly under the bathtub without relocating the existing drain
- Textured bottom
- Right or left drain
- Integrated apron with access panel when equipped with a system
- Integrated tiling flange
- Alcove installation



### OPTIONS

- Water heater
- Microjet trim kit
- Foam pillow
- Flexible main hose
- Thermax field-installed whirlpool heater
- Air push trim kit

### UNIQUE FEATURES

- None

### SYSTEMS

-  Bubble Tub
-  Microjets

### DOOR SELECTION

Combine with MAAX's complete shower door offering visit [www.maax.com](http://www.maax.com)

### CERTIFICATIONS

Maax products adhere to one or more of the following certifications:



Project : .....  
Contractor : .....  
MAAX Representative : ..... Tel : .....  
Date : .....

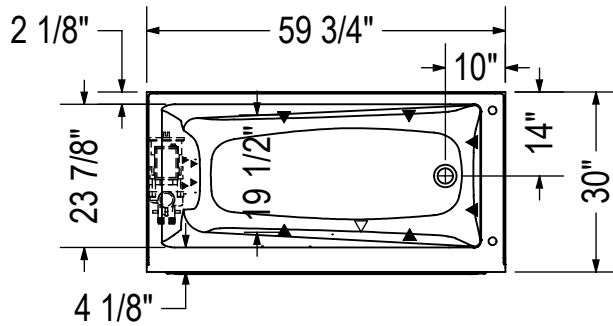
# MAAX SUBMITTAL SPECIFICATIONS

## Loft 6030 (IFS)

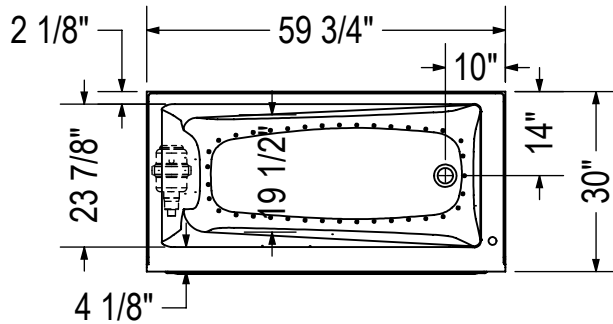
MODEL NUMBER 105455

### TECHNICAL DRAWINGS

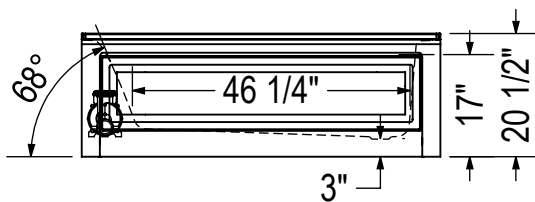
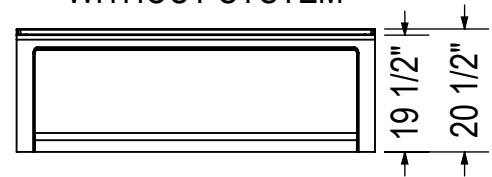
MICRO-JETS SYSTEM



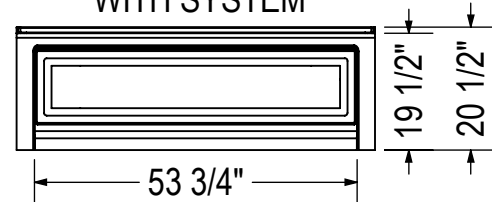
AIR SYSTEM



WITHOUT SYSTEM



WITH SYSTEM



- ( ▲ ) : Indicates whirlpool and backjets positioning
- ( △ ) : Indicates suction positioning
- ( ● ) : Indicates airjets positioning

All dimensions are approximate. Structure measurements must be verified against the unit to ensure proper fit.