



Item #1003912782  
Model #90253HWSB  
Item #1003915224  
Model #90252HWSB

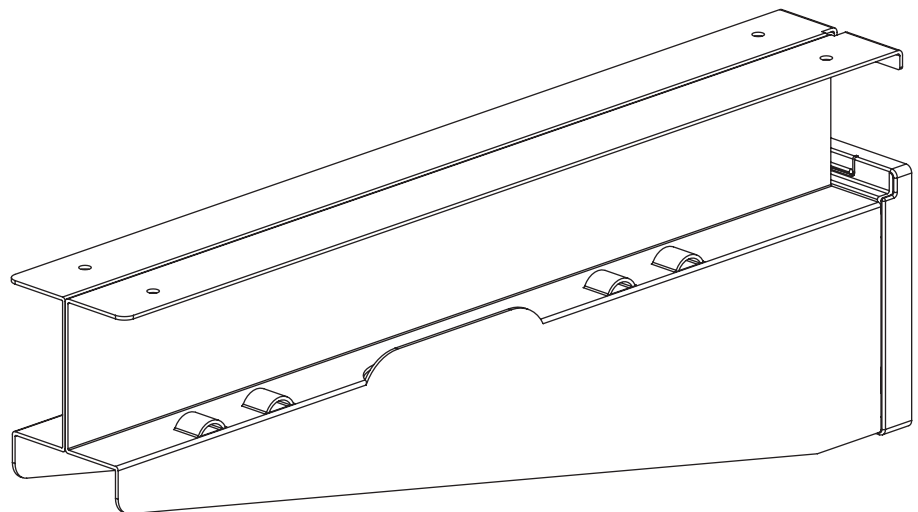
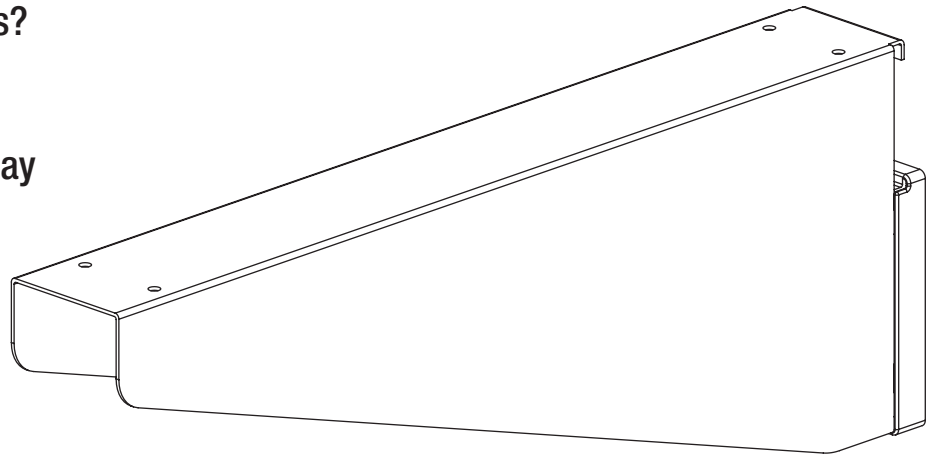
## USE AND CARE GUIDE

### STANDARD SHELF BRACKET TOTE SHELF BRACKET

Questions, problems, missing parts?  
Before returning to the store, call  
Husky Customer Service  
8 a.m. - 7 p.m., EST, Monday - Friday  
9 a.m. - 6 p.m., EST, Saturday

1-888-HD-HUSKY

HUSKYTOOLS.COM



#### THANK YOU


*We appreciate the trust and confidence you have placed in Husky through the purchase of this shelf bracket. We strive to continually create quality products designed to enhance your home. Visit us online to see our full line of products available for your home improvement needs. Thank you for choosing Husky!*

## Table of Contents

|                          |   |  |   |
|--------------------------|---|--|---|
| Table of Contents .....  | 2 | Pre-Installation .....                     | 3 |
| Safety Information ..... | 2 | Installation: Standard Shelf Bracket ..... | 4 |
| Warranty .....           | 2 | Installation: Tote Shelf Bracket .....     | 6 |

## Safety Information

- Tote Shelf Brackets are only compatible with HDX 27 Gallon Tote, Model #HDX27GONLINE(5).
- Do not overload Totes with more than the recommended weight, there is risk of failure [ Weight/load capacity: 150 LBS ].
- Make sure to secure the Tote firmly between brackets to prevent the Tote from slipping or falling.

 **WARNING:** Do not over load Totes with more than the recommended weight, there is risk of failure. [ Weight/load capacity: 150 LBS ]

 **NOTE:** Husky Tote Shelf Brackets are ONLY compatible with: HDX 27 Gallon Tote, Model #HDX27GONLINE(5).

## Warranty

### LIFETIME WARRANTY

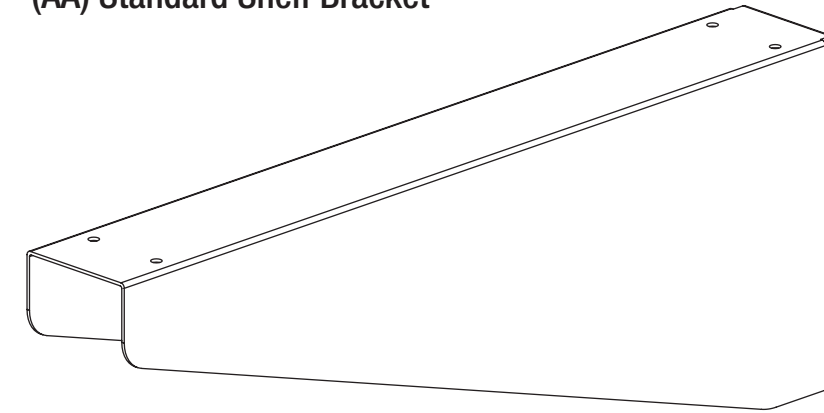
If your Husky product ever fails, bring it back and we will replace it free. This full warranty gives you specific rights, and you may also have other rights, which vary state to state. For details, visit your nearby store or call 1-888-HD-HUSKY.

## Pre-Installation

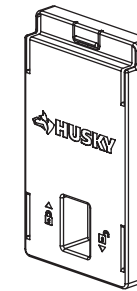
### NO SPECIAL TOOLS REQUIRED

**COMPATIBLE WITH: HUSKY TRACK, HUSKY WALL AND HUSKY VERTICAL RAILS**

(AA) Standard Shelf Bracket

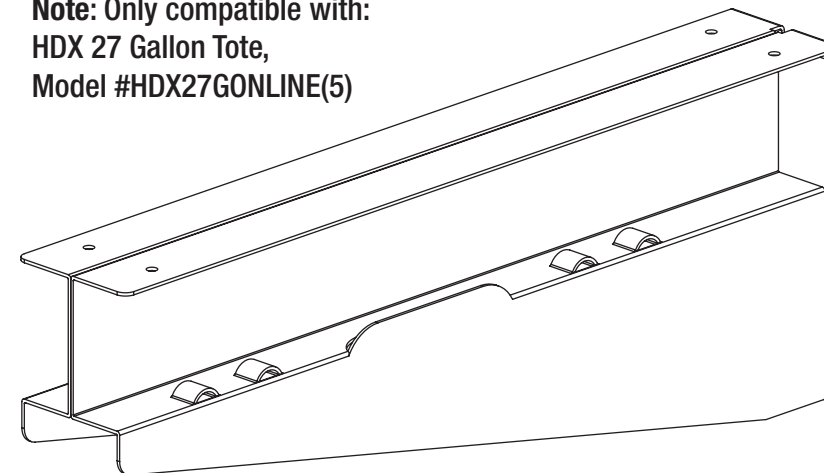


(CC) Track Adapter

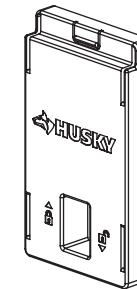


(BB) Tote Shelf Bracket

**Note:** Only compatible with: HDX 27 Gallon Tote, Model #HDX27GONLINE(5)



(CC) Track Adapter

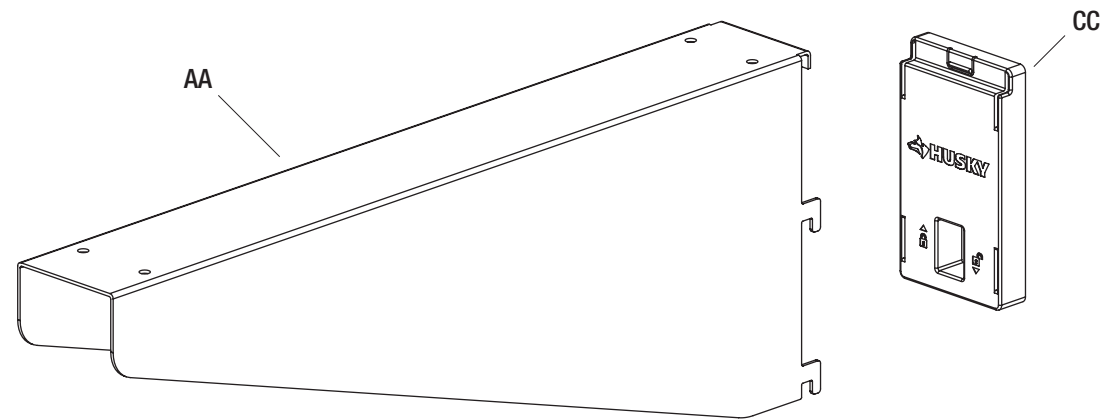


| Part | Standard Shelf and Tote Shelf Brackets | Quantity |
|------|--|----------|
| AA   | Standard Bracket                       | X1       |
| BB   | Tote Bracket                           | X1       |
| CC   | Husky Track Adapter (one per bracket)  | X1       |

## Installation: Standard Shelf Bracket

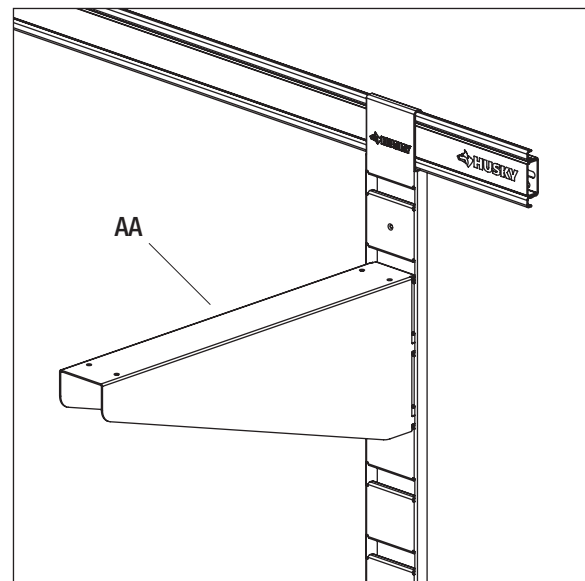
### 1 Preparing the Standard Shelf Bracket

- Remove the Track Adapter (CC) from the Standard Shelf Brackets (AA).



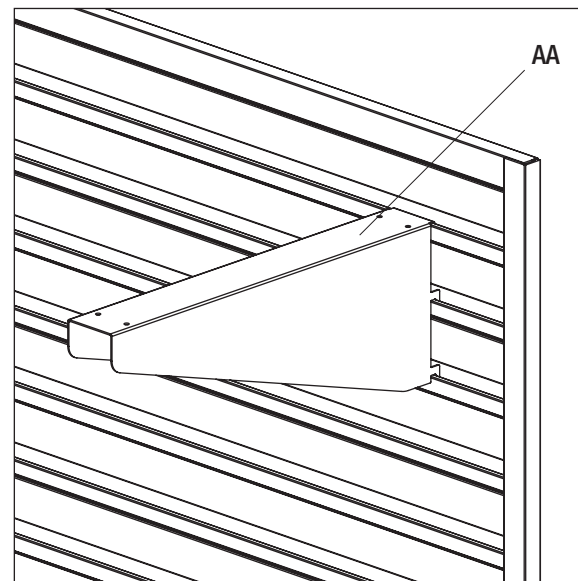
### 2a Attaching the Standard Shelf Bracket to a Vertical Rail

- Attach the Standard Shelf Bracket (AA) to the Vertical Rail as shown.



### 2b Attaching the Standard Shelf Bracket to a Wall

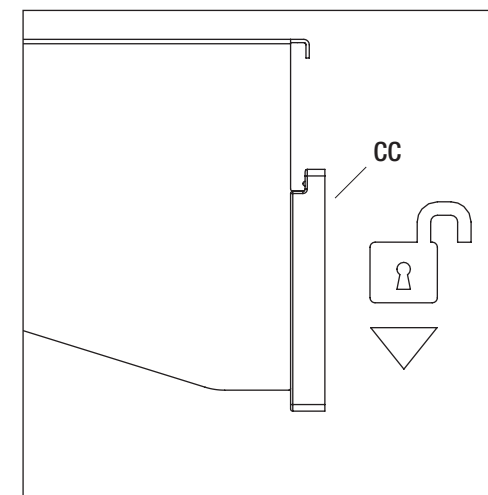
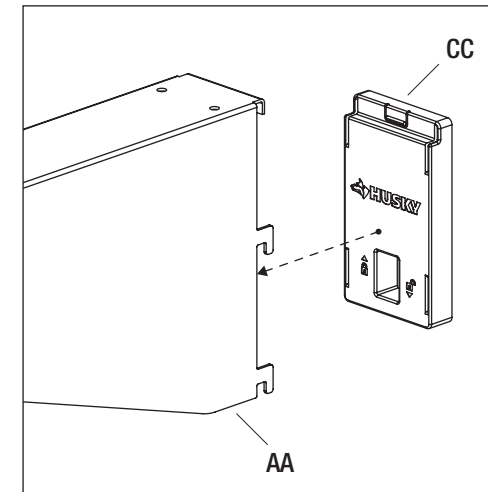
- Attach the Standard Shelf Bracket (AA) to a wall system as shown.



## Installation: Standard Shelf Bracket

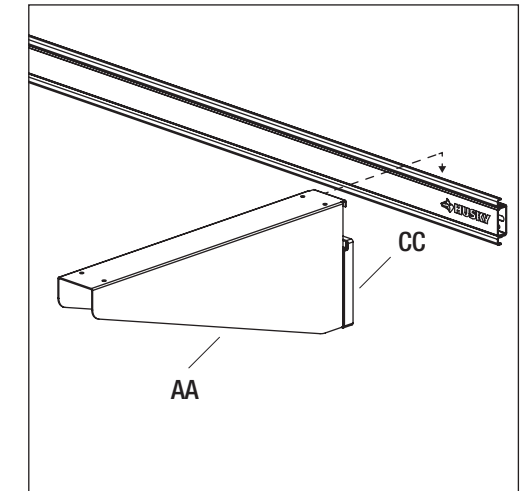
### 1 Attaching the Track Adapter

- Attach Track Adapter (CC) but keep it in the unlocked position.



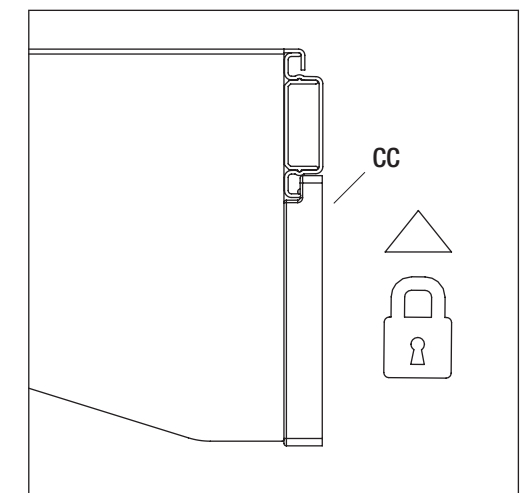
### 2 Attaching the Standard Shelf Bracket to the Track

- With the Track Adapter (CC) in place, attach the Standard Shelf Bracket (AA) to the track.



### 3 Locking the Track Adapter in Place

- Push up on the Track Adapter (CC) to lock it into place on the Track.

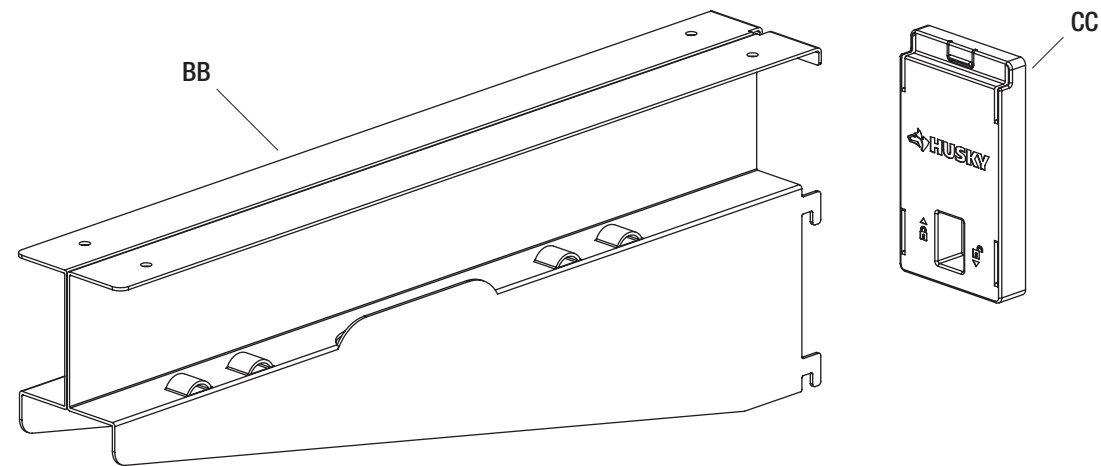


## Installation: Tote Shelf Bracket

### 1 Preparing the Tote Shelf Bracket

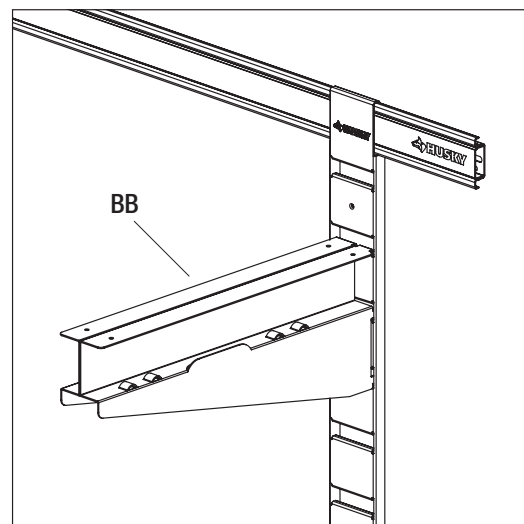
- Remove the Track Adapter (CC) from the Tote Shelf Brackets (BB).

 **NOTE:** Husky Tote Shelf Brackets (BB) are ONLY compatible with: HDX 27 Gallon Tote, Model #HDX27GONLINE(5).



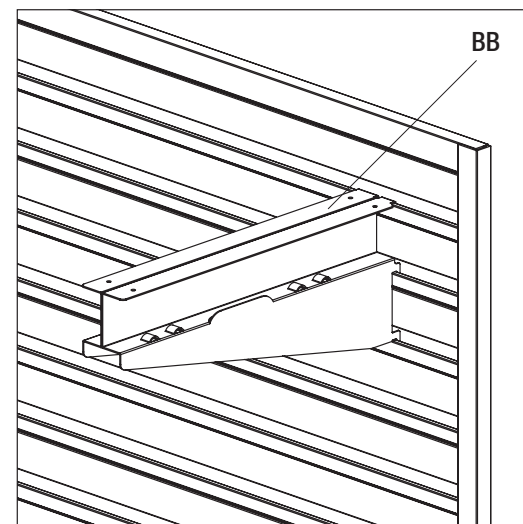
### 2a Attaching the Tote Shelf Bracket to a Vertical Rail

- Attach the Tote Shelf Bracket (BB) to the Vertical Rail as shown.



### 2b Attaching the Tote Shelf Bracket to a Wall System

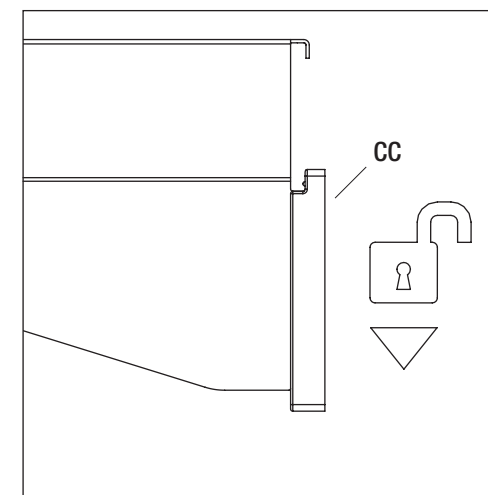
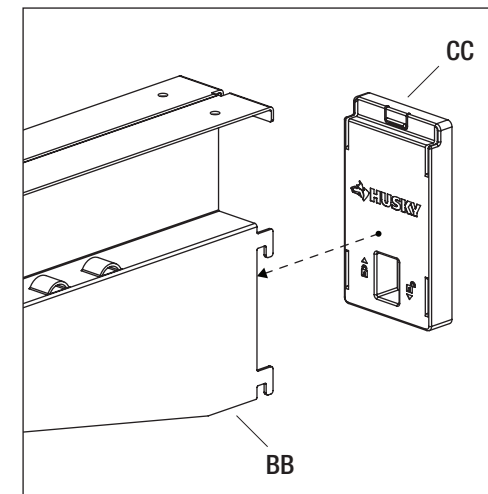
- Attach the Tote Shelf Bracket (BB) to a wall system as shown.



## Installation: Tote Shelf Bracket

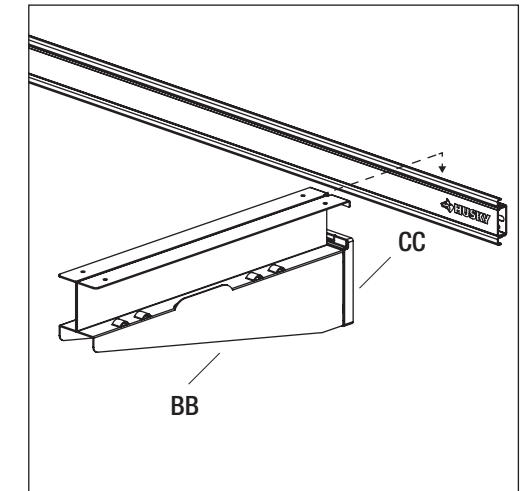
### 1 Attaching the Track Adapter

- Attach Husky Track Adapter (CC) but keep it in the unlocked position.



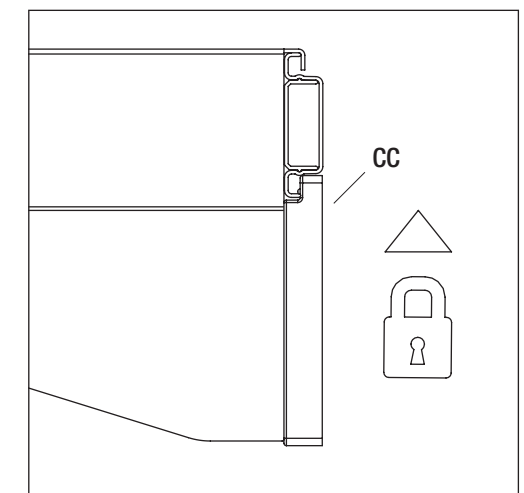
### 2 Attaching the Tote Shelf Bracket to the Track

- With the Track Adapter (CC) in place, attach the Tote Shelf Bracket (BB) to the track.



### 3 Locking the Track Adapter in Place

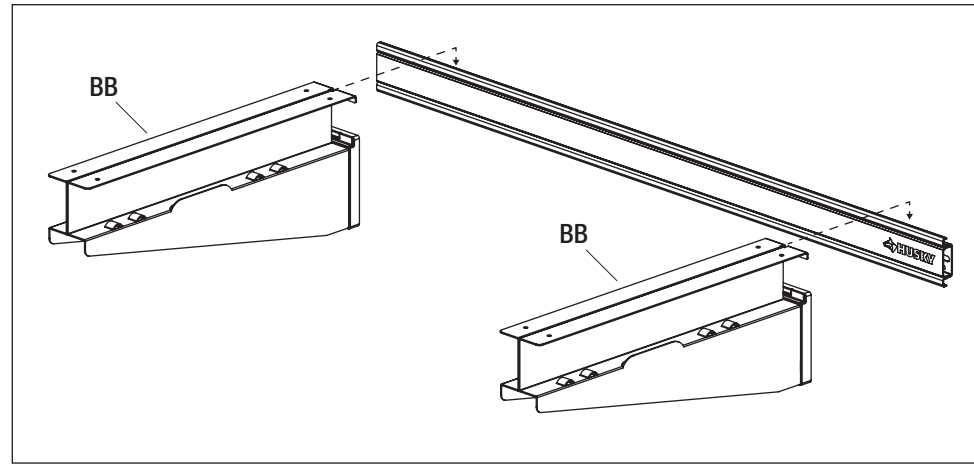
- Push up on the Track Adapter (CC) to lock it into place on the Track.



## Installation: Tote Shelf Bracket

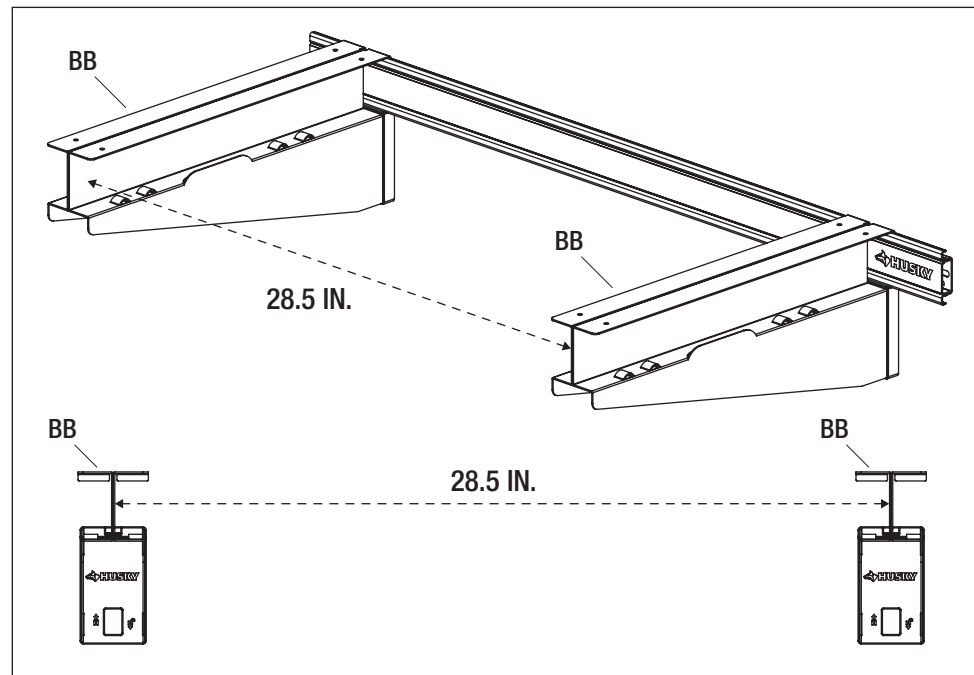
### 1 Attaching the Tote Shelf Bracket to the Track

- Push up on the Track Adapter (CC) to lock in place on the Track.



### 2 Positioning the Tote Shelf Brackets

- Place Tote Shelf Brackets (BB) 28.5 in. apart from one another. Measure from the inside edge as illustrated.

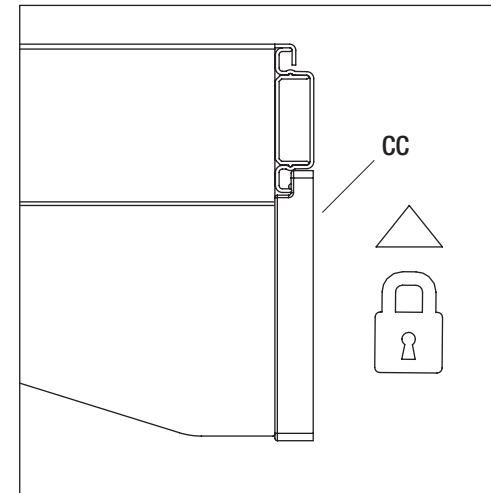


8

## Installation: Tote Shelf Bracket

### 3 Locking the Track Adapter

- Push up on the Track Adapter (CC) to lock in place on the Track.

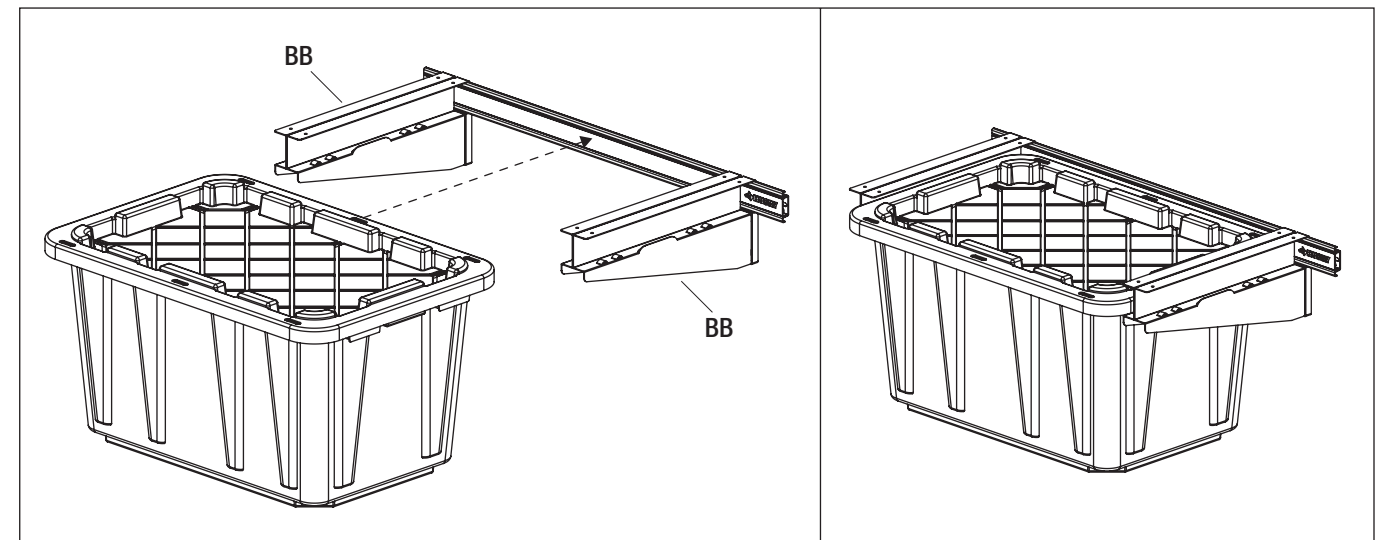


### 4 Installing the Totes

- Slide an empty tote in between the Tote Shelf Brackets (BB) to ensure they are correctly spaced.

**WARNING:** Do not over load Totes with more than the recommended weight, there is risk of failure.  
[ Weight/load capacity: 150 LBS ]

**NOTE:** Husky Tote Shelf Brackets are ONLY compatible with: HDX 27 Gallon Tote, Model #HDX27GONLINE(5).



9

HUSKYTOOLS.COM

Please contact 1-888-HD-HUSKY for further assistance.

**Notes**

---

---

---

---

---

---

---

---

---

---

---

---

---

---

---

---

---

---

---

---

---

---

---

---

---

**Notes**

---

---

---

---

---

---

---

---

---

---

---

---

---

---

---

---

---

---

---

---

---

---

---

---

---



Questions, problems, missing parts? Before returning to the store,  
call Husky Customer Service  
8 a.m. - 7 p.m., EST, Monday-Friday, 9 a.m. - 6 p.m., EST, Saturday

**1-888-HD-HUSKY**

**HUSKYTOOLS.COM**

Retain this manual for future use.