

# Brevard FlushIQ™ TOILET C43903T▲

## STANDARD SPECIFICATIONS:

- Overflow protection.
- Touch-Free flush.
- Leak detection.
- Uses (4) AA batteries included or (4) C batteries for extended life (not included).
- Vitreous china.
- 29 1/4" (743 mm) in length, 16 3/4" (426 mm) in width, 32 15/16" (837 mm) in height.
- Elongated bowl with chair height design (16 1/2" to top of seat).
- 12" (305 mm) rough-in.
- High efficiency 1.28 gpf (4.8 lpf).
- 3" flush valve.
- 2" (51 mm) full glazed trapway.
- Smart-Fit® Tank-to-Bowl connection with tool for installation.
- Delta toilet kit includes the tank, bowl, toilet seat, mounting hardware, wax ring and SmartFit™ Multi-Tool.  
-No additional tools required.

## LIMITED WARRANTY

- Chinaware parts warranted to original consumer purchaser.
- 1 year warranty on mechanical components, fill valve, flush valve, flush lever handle, and mounting bolts will apply.
- The toilet seat & lid will have a 1 year warranty.

Technical Information	
Fixture configuration	Two-piece, elongated
Water per flush	1.28 gpf (4.8 lpf)
Passageway	2" (51mm)
Water area	9 1/16"X 6 5/32" (230mm x156 mm)
Water depth from rim	7 23/32" (196 mm)
Seat post hole centers	5 1/2" (140mm)
Included Components:	
Tank	EP76683▲
Tank Lid	RP75635▲
Fill Valve/Flush Actuator	EP75944▲
Mounting Hardware – Bowl to floor	RP71146
Mounting Hardware – Tank to bowl	RP72471
Seat Assembly	RP71194▲

## Installation Notes

- Install this product according to the installation guide.
- This model complies with the American Disabilities Act (ADA) when installed per the requirements of the Accessibility Guidelines, Section 604 Water Closets, of the Act, which includes the installation of an open front seat (not included).
- This model complies with CSA B651 when installed per Clause 4.3.6 of the standard.



## COMPLIES WITH

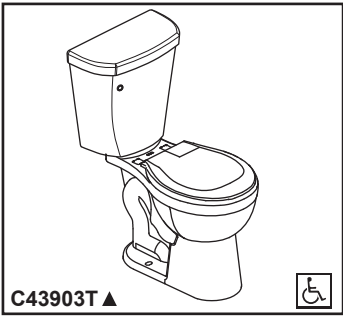
- ADA
- ASME A112.19.2 / CSA B45.1
- ASME A112.19.5
- ICC / ANSI A117.1
- EPA WaterSense® High Efficiency Toilet
- CalGreen



55 E. 111th Street, Indianapolis, Indiana 46280  
 350 South Edgeware Road, St. Thomas, Ontario Canada N5P 4L1  
 © 2015 Masco Corporation of Indiana  
 USA / Canada: 1-855-345-1345  
 www.deltatoilet.com

▲ Designate proper finish suffix (-WH for white)

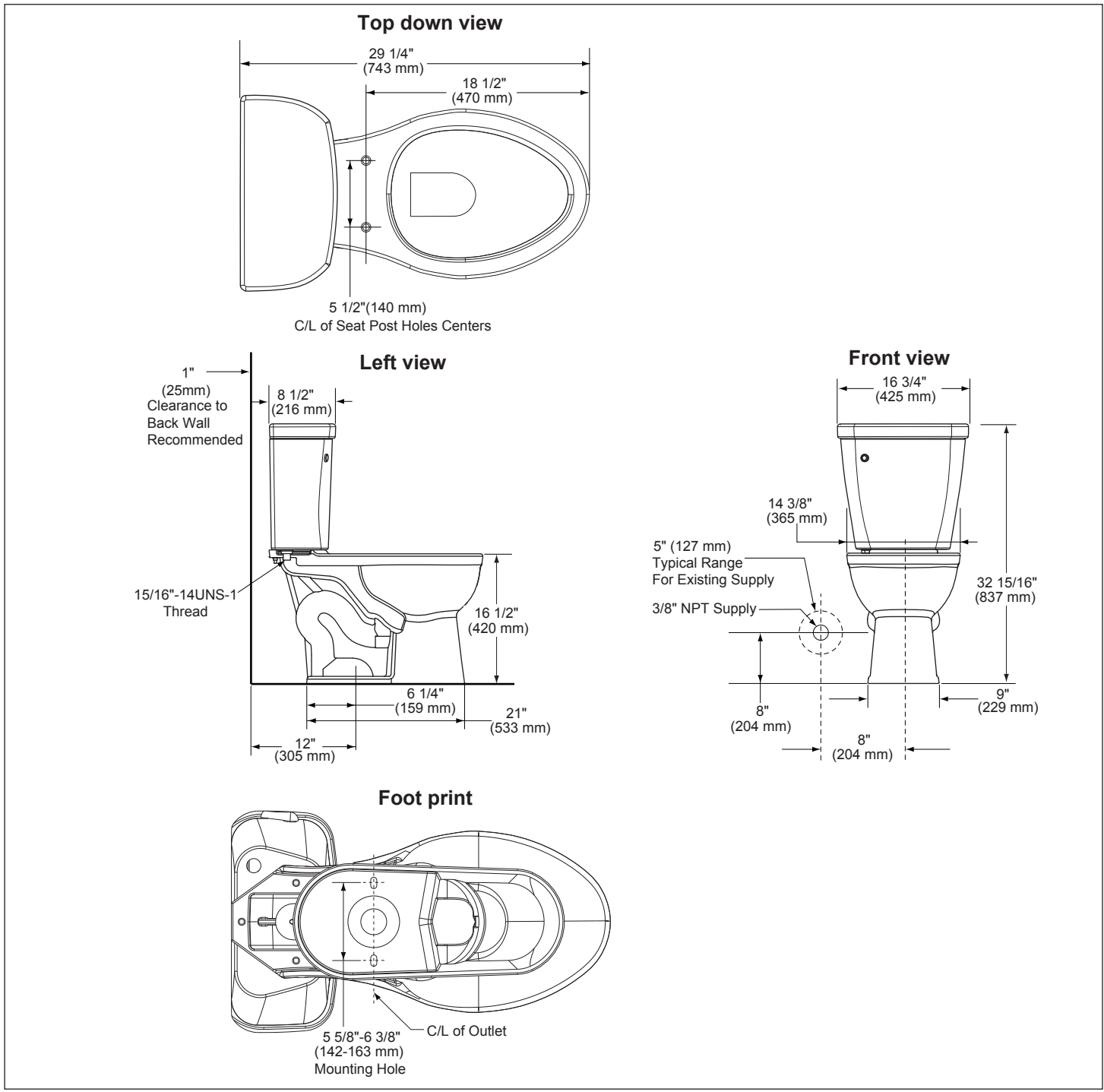
DSP-S-C43903T Rev. B



# Brevard FlushIQ™ TOILET C43901 ▲

■ Elongated Bowl

Submitted Model No.: \_\_\_\_\_  
Specific Features: \_\_\_\_\_



▲ Designate proper finish suffix (-WH for white)  
Delta reserves the right (1) to make changes in specifications and materials, and (2) to change or discontinue models, both without notice or obligation. Dimensions are for reference only. See full-line pricebook or [www.deltatilet.com](http://www.deltatilet.com) for finish options and product availability.  
DSP-S-C43903T Rev. B